



US00D707002S

(12) **United States Design Patent**
Hughes et al.

(10) **Patent No.:** **US D707,002 S**
(45) **Date of Patent:** **** Jun. 10, 2014**

(54) **APPLIANCE**

(71) Applicant: **Euro-Pro Operating LLC**, Newton, MA (US)

(72) Inventors: **William Scott Hughes**, Waltham, MA (US); **James Russell Varney**, Maynard, MA (US); **Bryan Robert Hotaling**, Harvard, MA (US); **Scott A. Leclerc**, Ashby, MA (US); **James M. Ormond**, Belmont, MA (US)

(73) Assignee: **Euro-Pro Operating LLC**, Newton, MA (US)

(**) Term: **14 Years**

(21) Appl. No.: **29/449,575**

(22) Filed: **Mar. 15, 2013**

(51) **LOC (10) Cl.** **04-01**

(52) **U.S. Cl.**
USPC **D32/45**

(58) **Field of Classification Search**
USPC D32/40, 45, 50, 51; 15/228, 119.2, 15/210.1, 229.3, 229.4; 401/137-140
See application file for complete search history.

(56) **References Cited**

U.S. PATENT DOCUMENTS

D505,762 S 5/2005 Lalanne et al.
D506,050 S 6/2005 Lalanne et al.
D548,909 S 8/2007 Murray
D597,717 S * 8/2009 Rosenzweig et al. D32/45

D607,167 S 12/2009 Libman et al.
D657,516 S 4/2012 McGee et al.
D657,517 S 4/2012 McGee et al.
D657,518 S 4/2012 McGee et al.
D658,835 S 5/2012 Houghton
D659,924 S 5/2012 McGee et al.
D661,035 S 5/2012 McGee et al.
D673,337 S 12/2012 Chow
D673,748 S * 1/2013 Snyder et al. D32/50
D685,558 S * 7/2013 deBlois D32/45
D685,967 S * 7/2013 Houghton D32/45

* cited by examiner

Primary Examiner — Robin V Webster

(74) *Attorney, Agent, or Firm* — Wolf, Greenfield & Sacks, P.C.

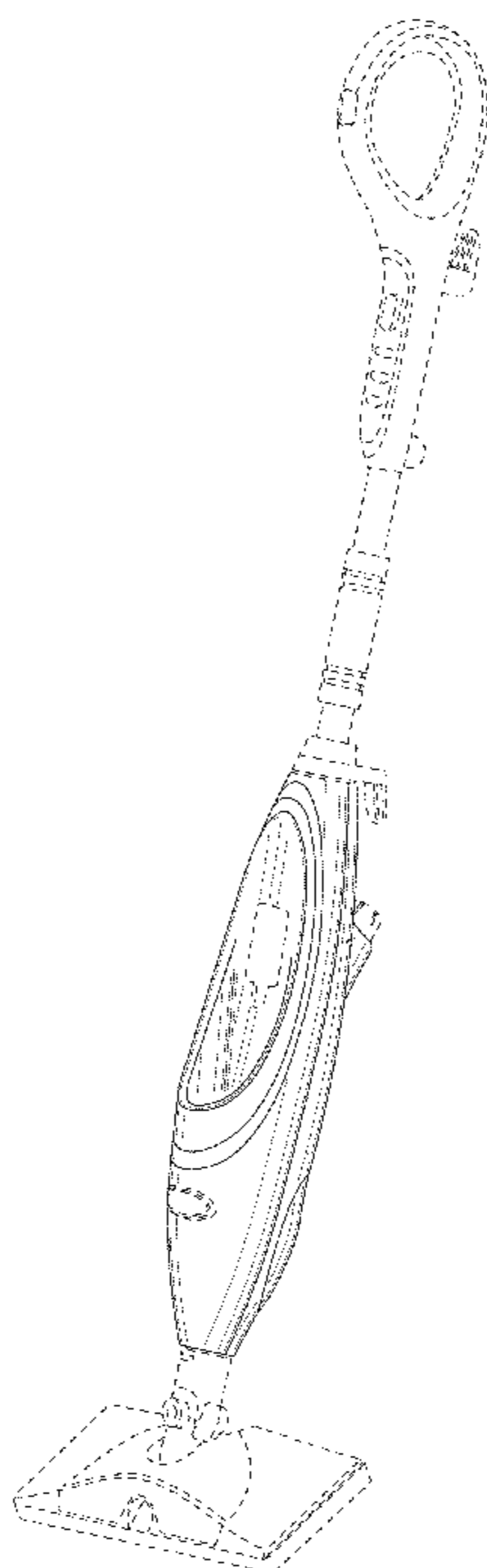
(57) **CLAIM**

The ornamental design for an appliance, as shown and described.

DESCRIPTION

FIG. 1 is a top, front, right side perspective view of an appliance showing our new design;
FIG. 2 is a front elevational view thereof;
FIG. 3 is a rear elevational view thereof;
FIG. 4 is a left side elevational view thereof;
FIG. 5 is a right side elevational view thereof;
FIG. 6 is a top plan view thereof; and,
FIG. 7 is a bottom plan view thereof.
The broken lines of FIGS. 1-7 illustrate portions of the appliance that form no part of the claimed design.

1 Claim, 6 Drawing Sheets



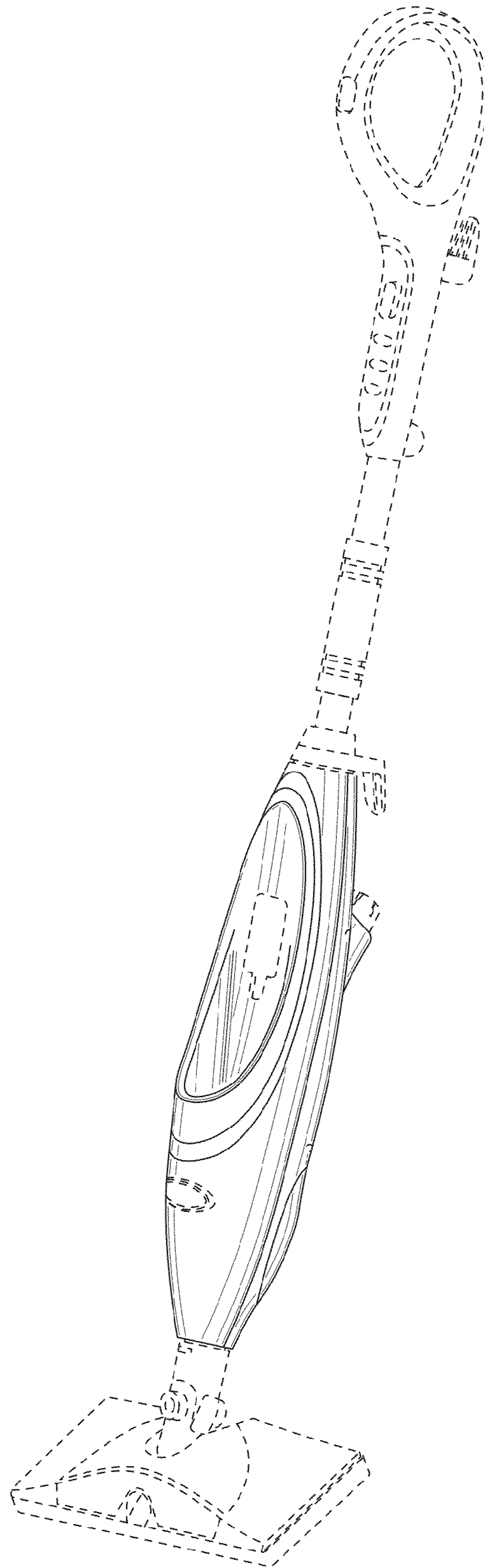


FIG. 1

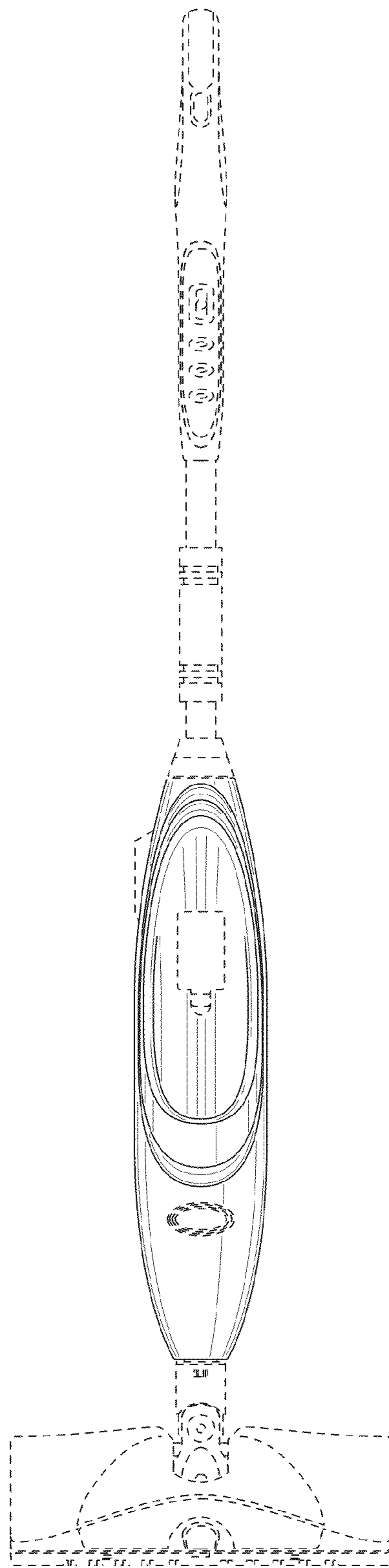


FIG. 2

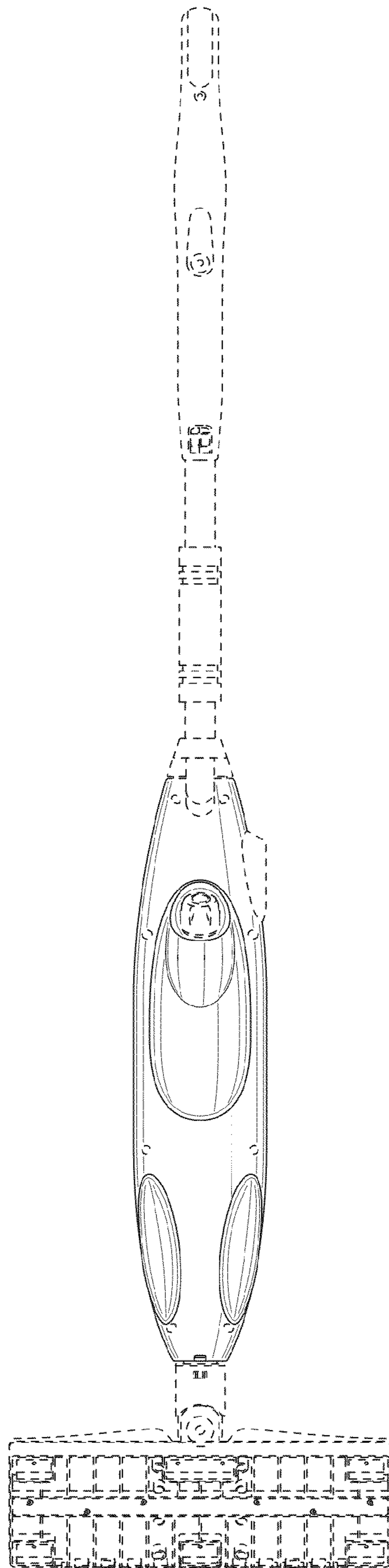


FIG. 3

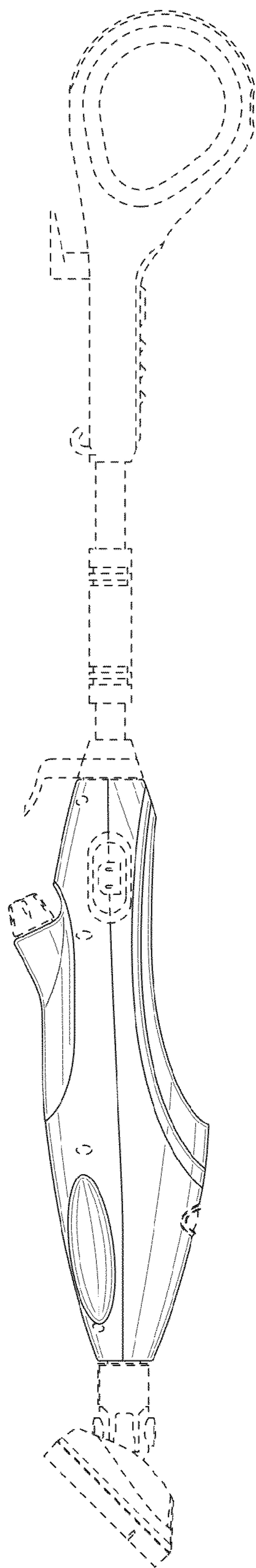


FIG. 4

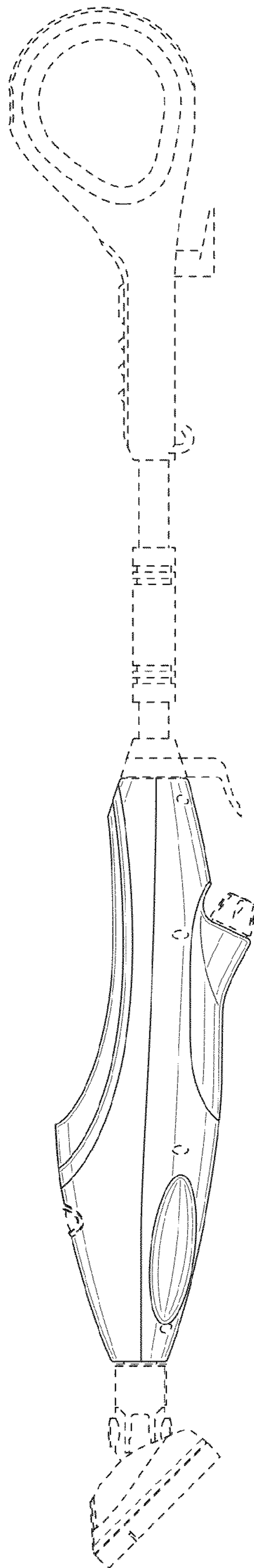


FIG. 5

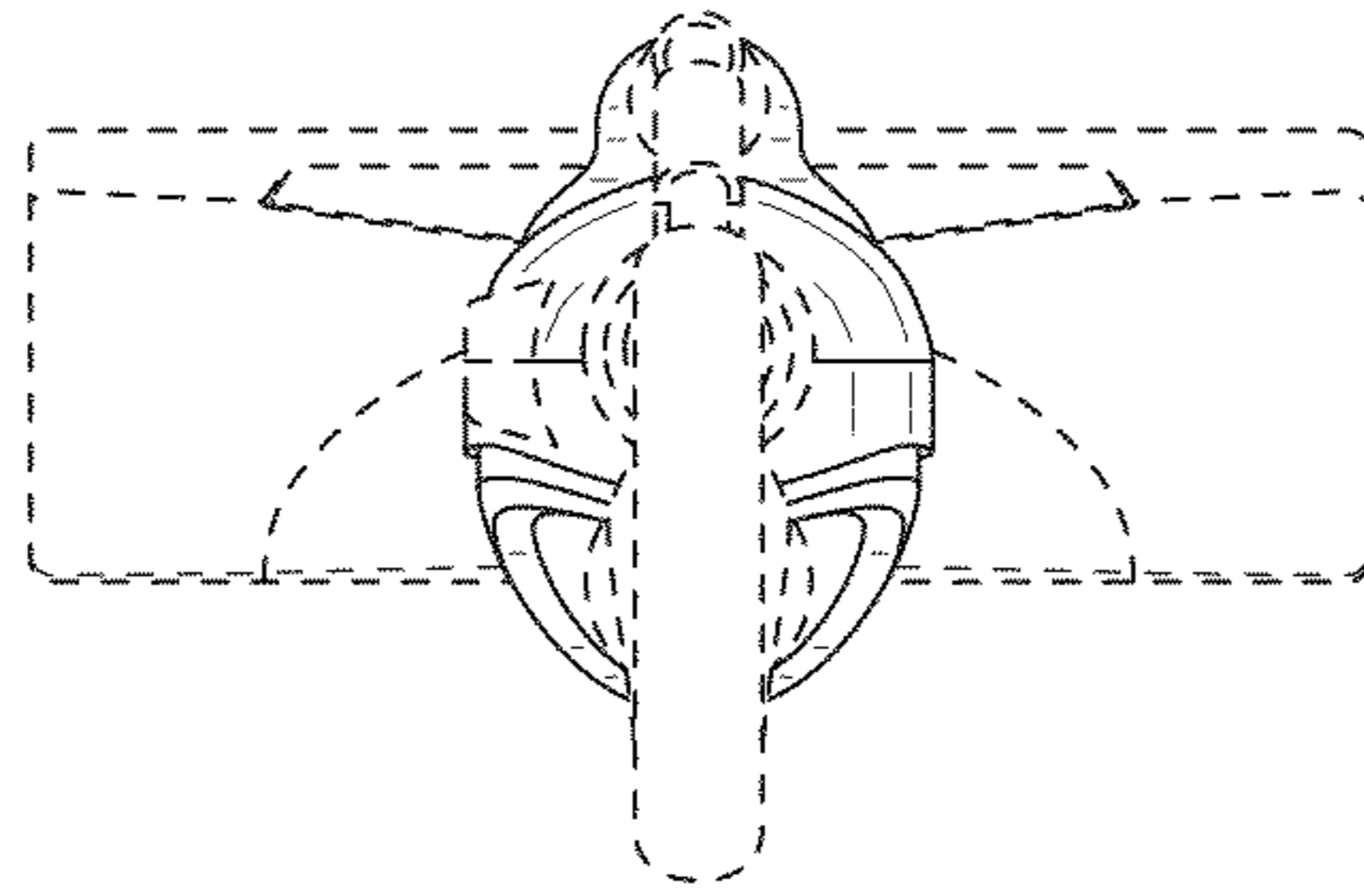


FIG. 6

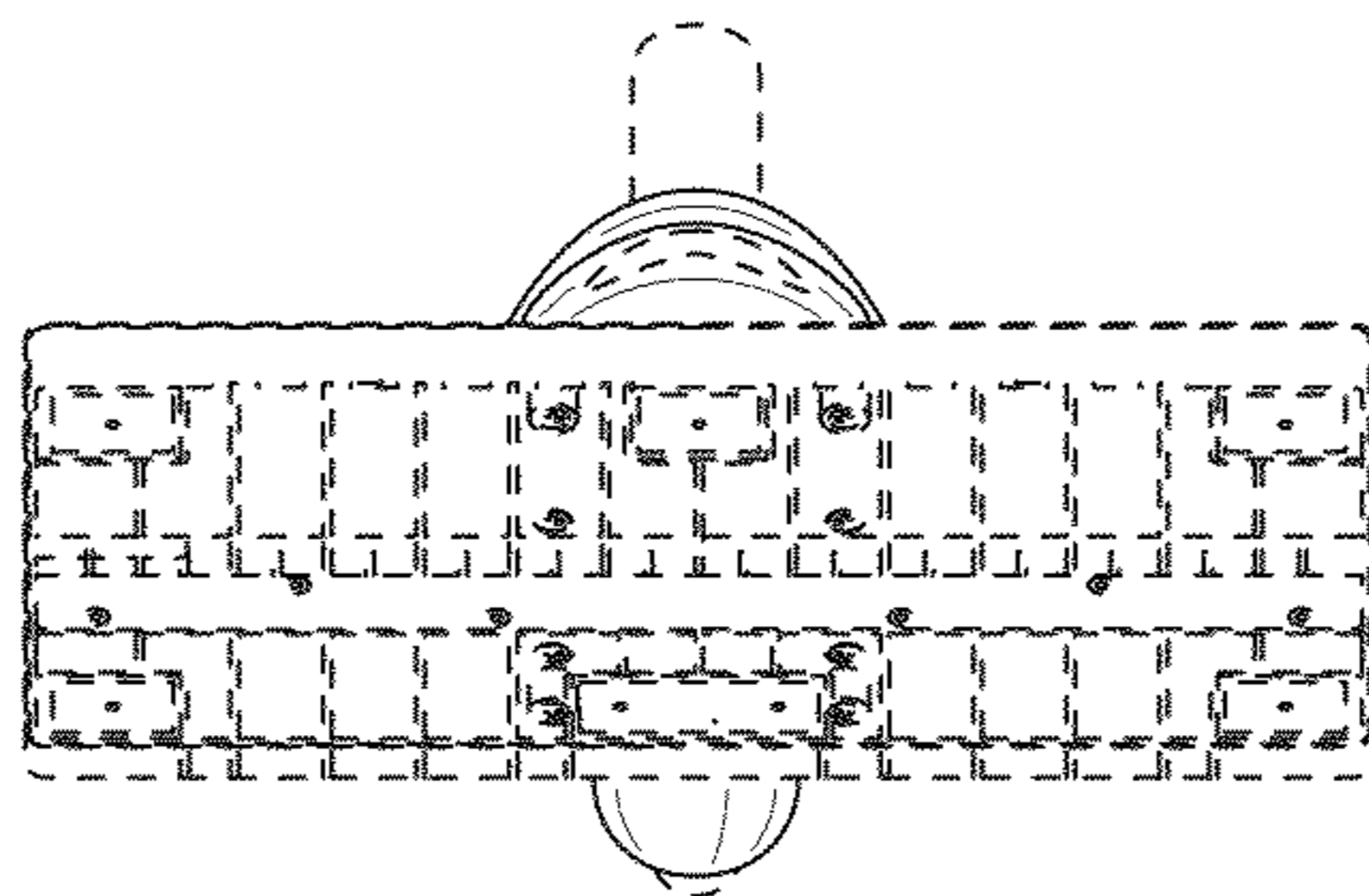


FIG. 7