



US00D707001S

(12) **United States Design Patent**  
**Valk**

(10) **Patent No.:** **US D707,001 S**  
(45) **Date of Patent:** **\*\* Jun. 10, 2014**

(54) **DUST EXHAUSTER IN BOX**

(76) Inventor: **Christine Valk, Habach (DE)**

(\*\*) Term: **14 Years**

(21) Appl. No.: **29/426,276**

(22) Filed: **Jul. 3, 2012**

(30) **Foreign Application Priority Data**

Mar. 2, 2012 (WO) ..... DM/078 280

(51) **LOC (10) Cl.** ..... **15-05**

(52) **U.S. Cl.**  
USPC ..... **D32/21**

(58) **Field of Classification Search**  
USPC ..... D32/18, 21-24, 31; 15/320-321,  
15/327.1-327.2, 327.4, 327.6-327.7,  
15/257.01, 323, 329, 344, 347, 353, 412;  
55/337, 429, 345; 95/271  
See application file for complete search history.

(56) **References Cited**

**U.S. PATENT DOCUMENTS**

D173,441 S \* 11/1954 Lambert ..... D32/24  
D212,710 S \* 11/1968 Mango et al. .... D32/21

D261,267 S \* 10/1981 Hug ..... D32/21  
D455,240 S \* 4/2002 Paterson et al. .... D32/21  
D558,410 S \* 12/2007 Hill et al. .... D32/21  
D636,547 S \* 4/2011 Moore, Jr. .... D32/24  
D663,952 S \* 7/2012 Crevling et al. .... D3/274  
D664,354 S \* 7/2012 Crevling et al. .... D3/274

\* cited by examiner

*Primary Examiner* — Ruth McInroy

(74) *Attorney, Agent, or Firm* — Edwin D. Schindler

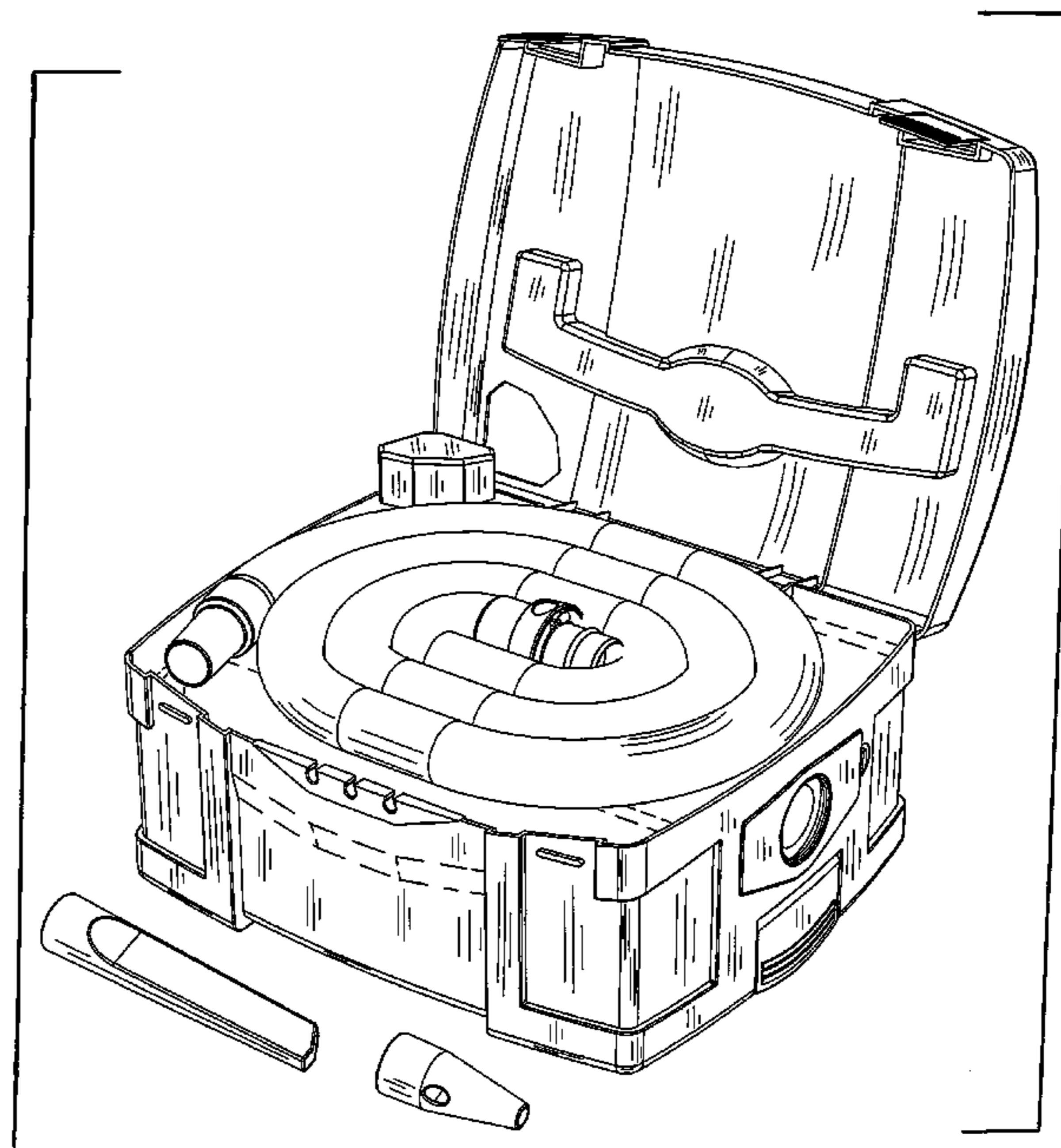
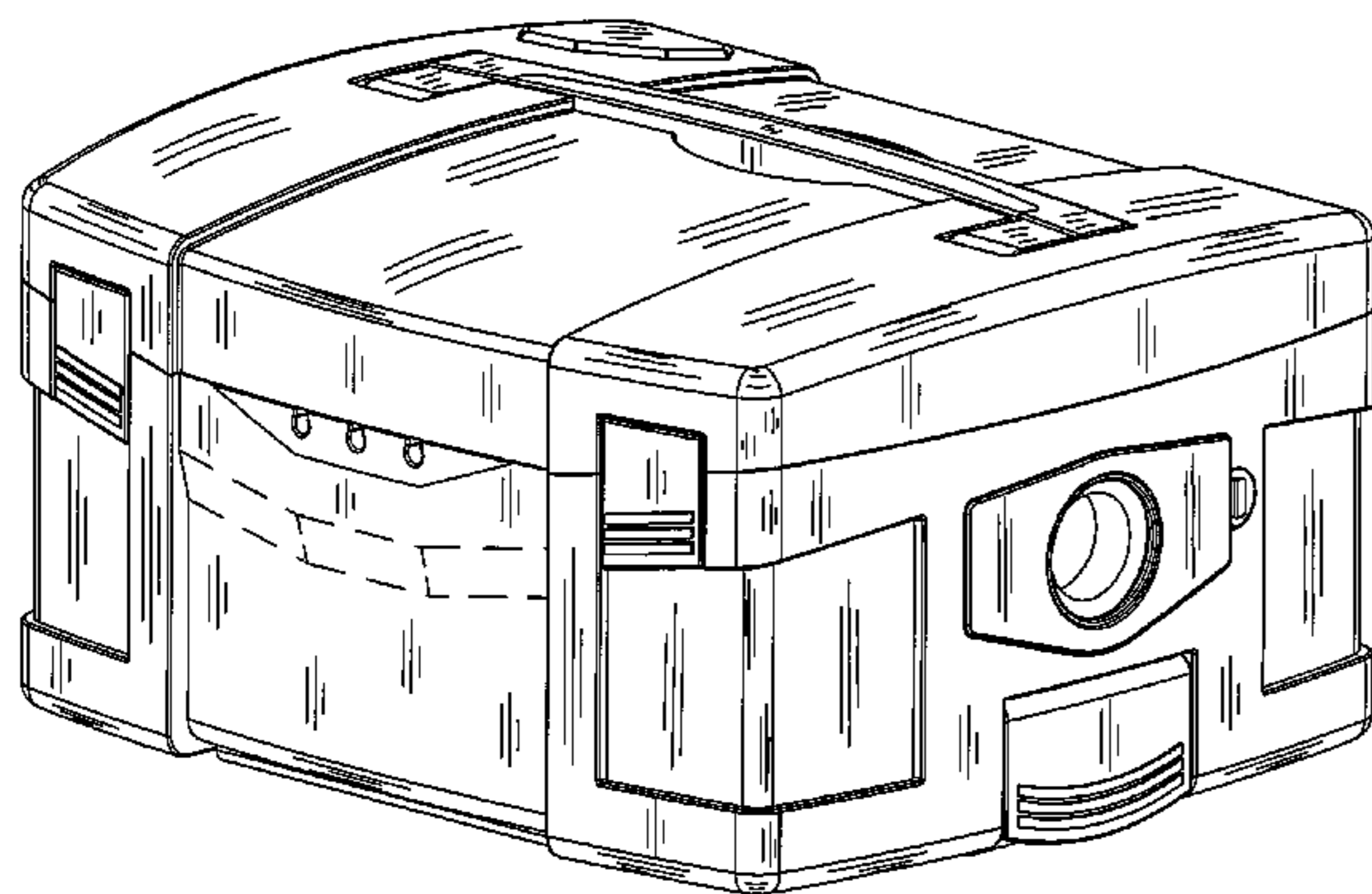
(57) **CLAIM**

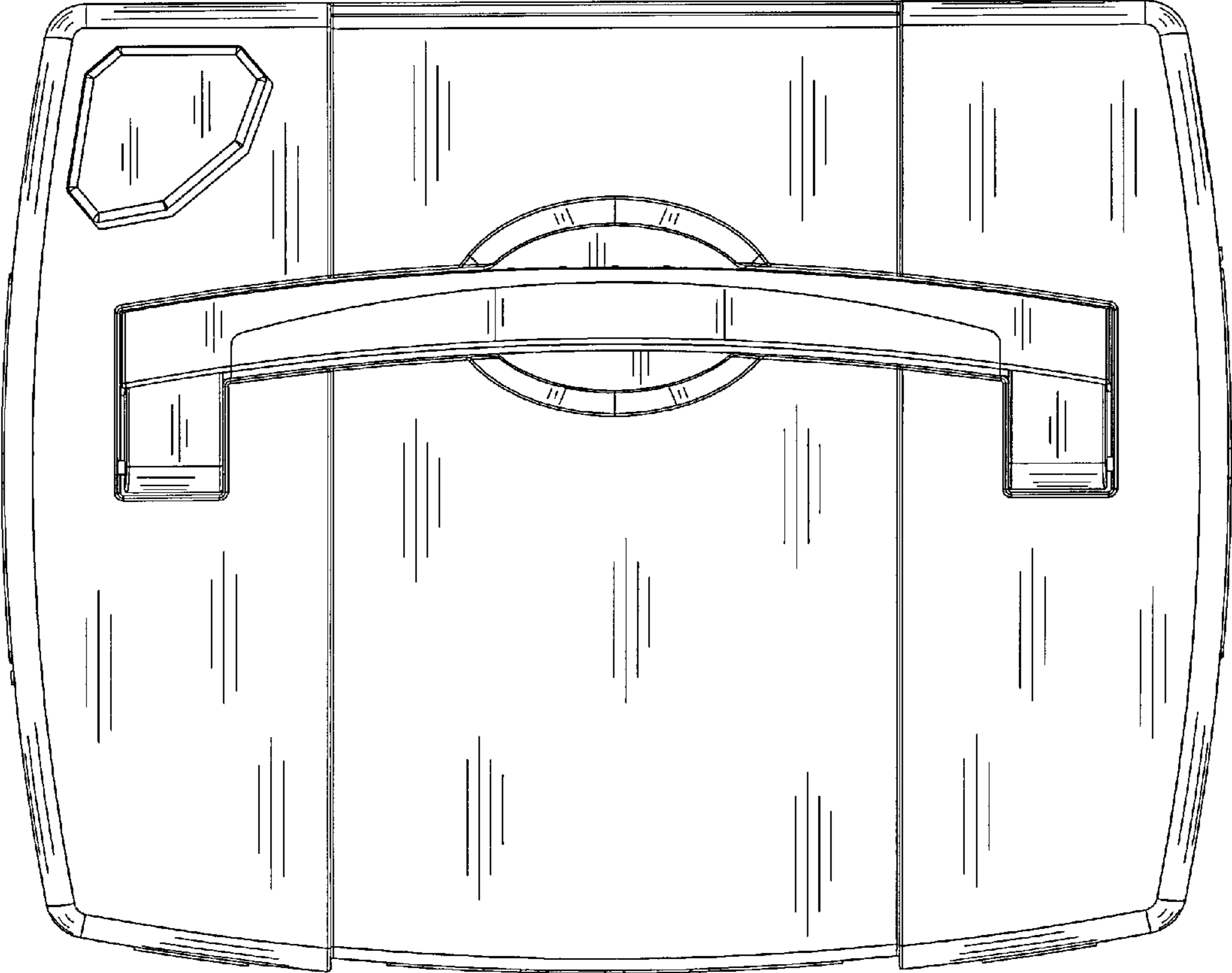
The ornamental design for a dust exhauster in box, as shown and described.

**DESCRIPTION**

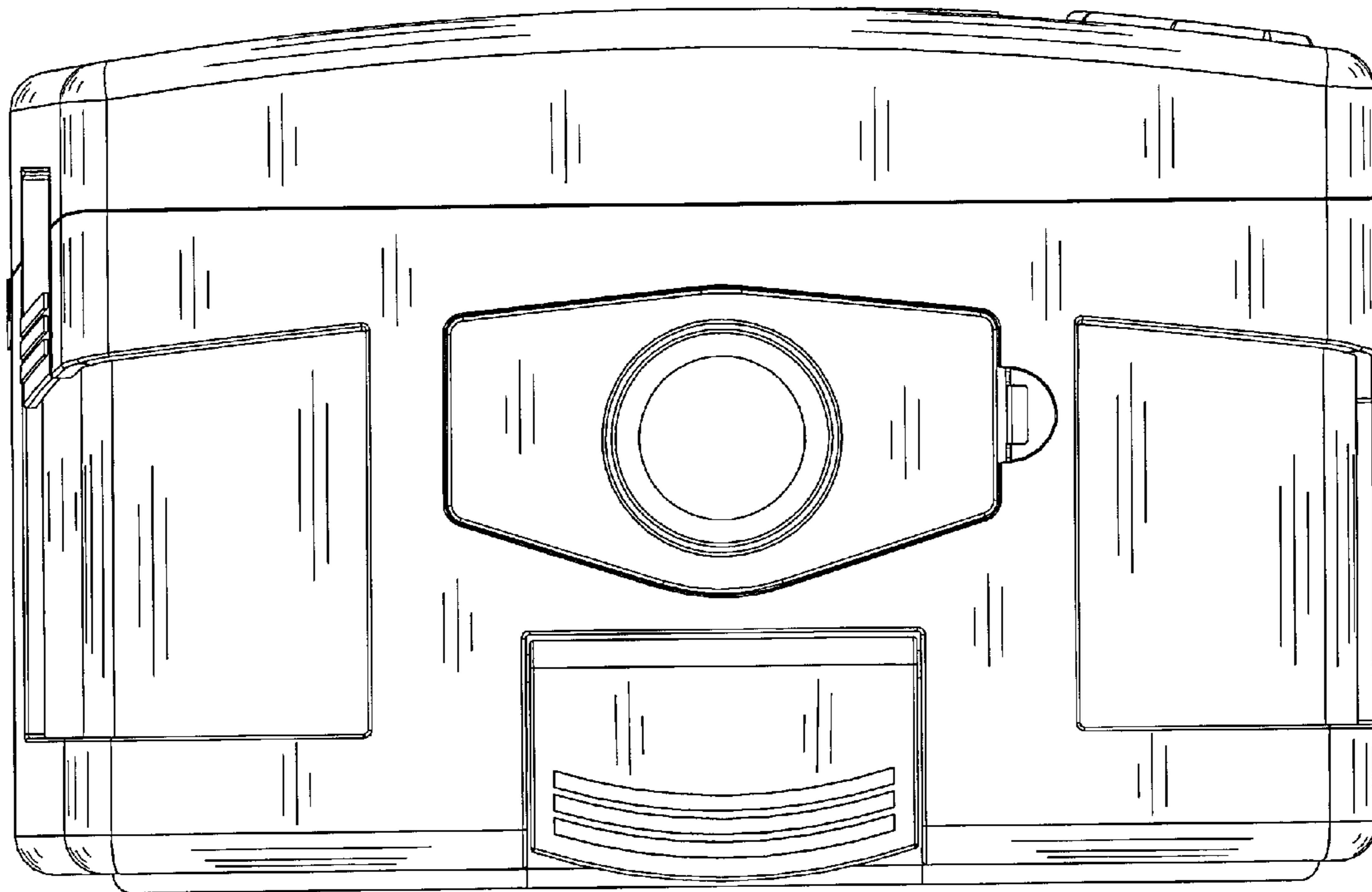
FIG. 1 is a top plan view of a dust exhauster in box showing my new design;  
FIG. 2 is a right side elevation view thereof,  
FIG. 3 is a left side elevation view thereof;  
FIG. 4 is a front elevation view thereof;  
FIG. 5 is a rear elevation view thereof;  
FIG. 6 is a front and right side perspective view thereof; and,  
FIG. 7 is a front and right side perspective view thereof, with the cover in an open position.

**1 Claim, 7 Drawing Sheets**

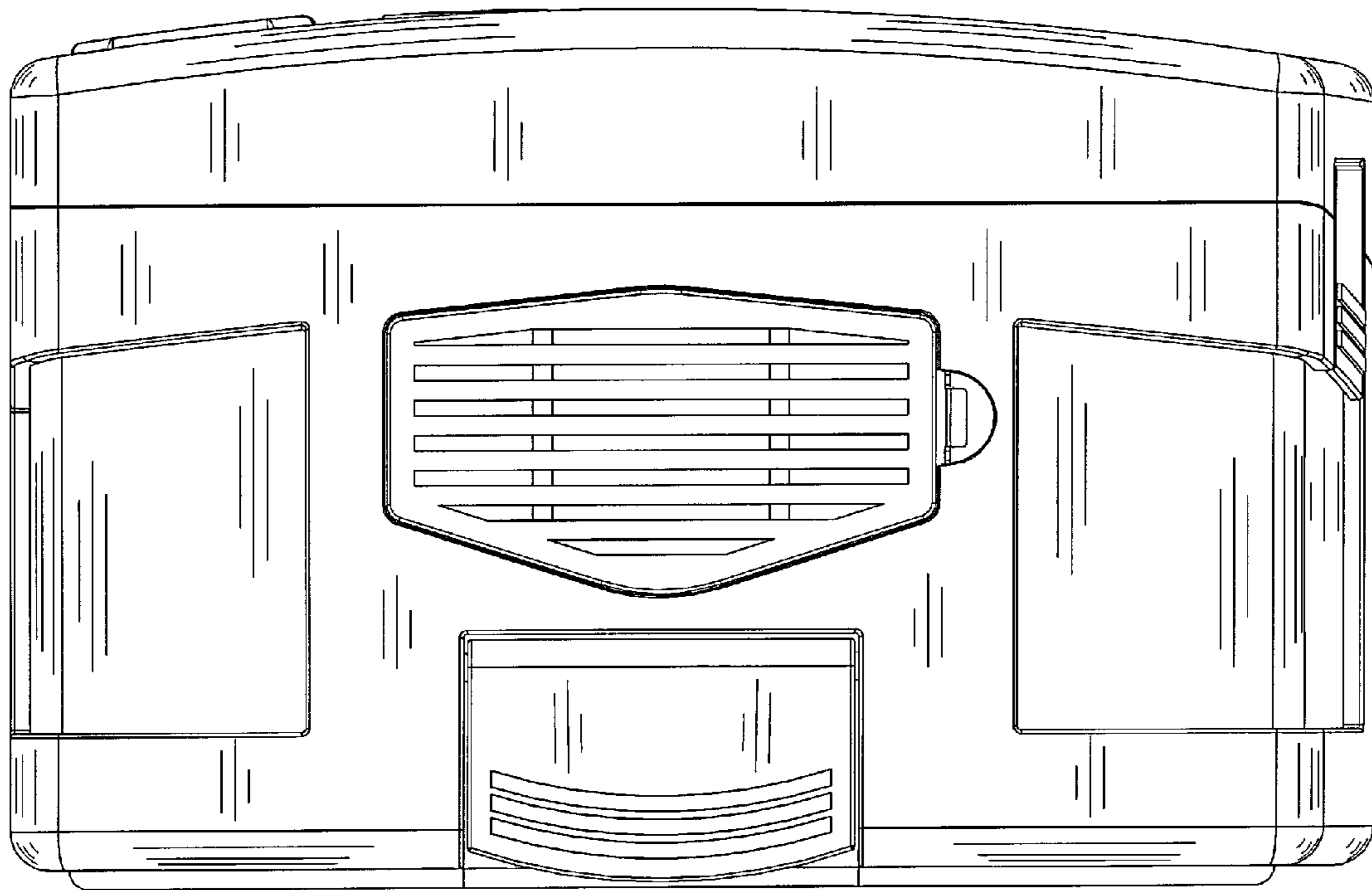




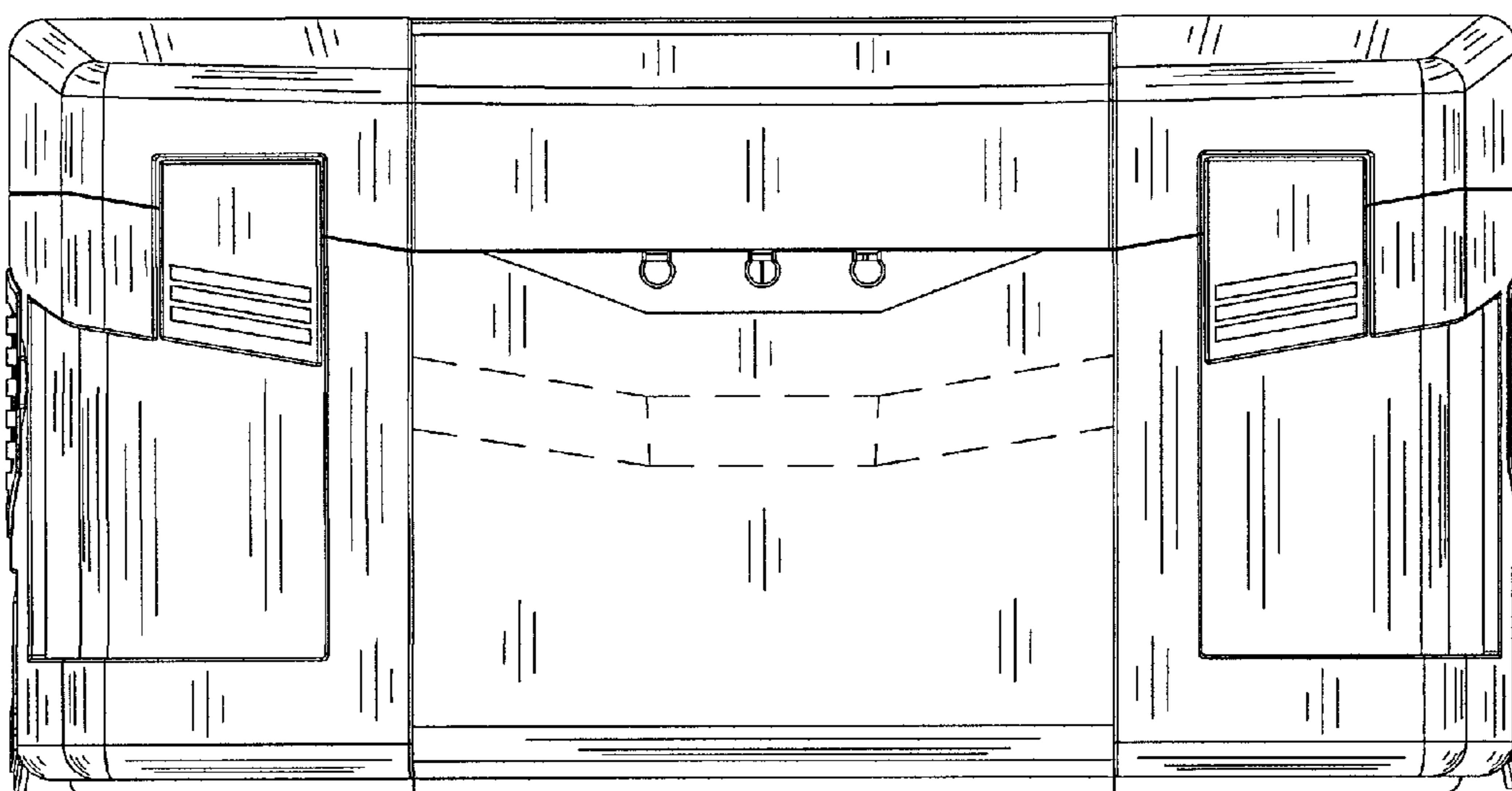
**FIG. 1**



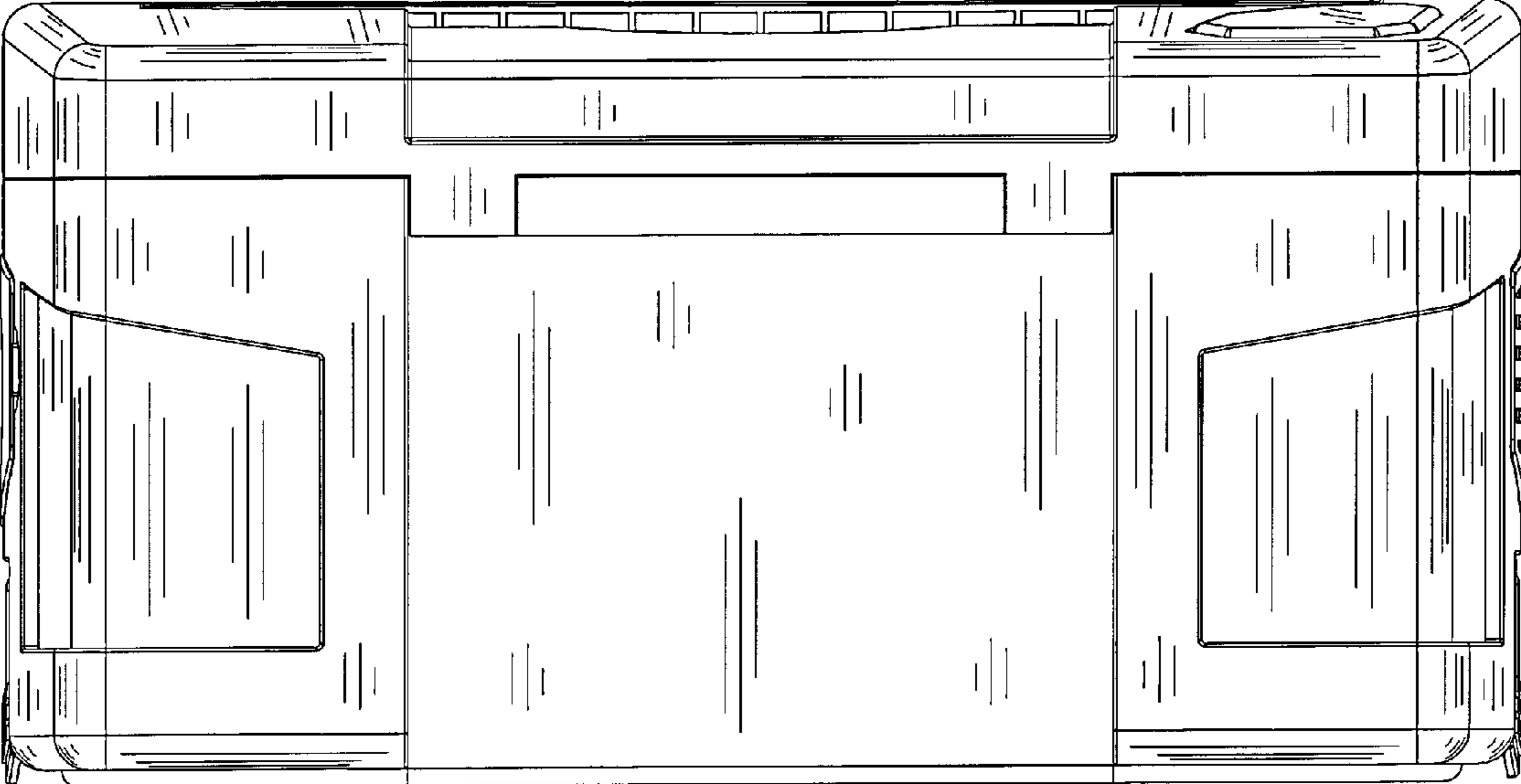
**FIG. 2**



**FIG. 3**

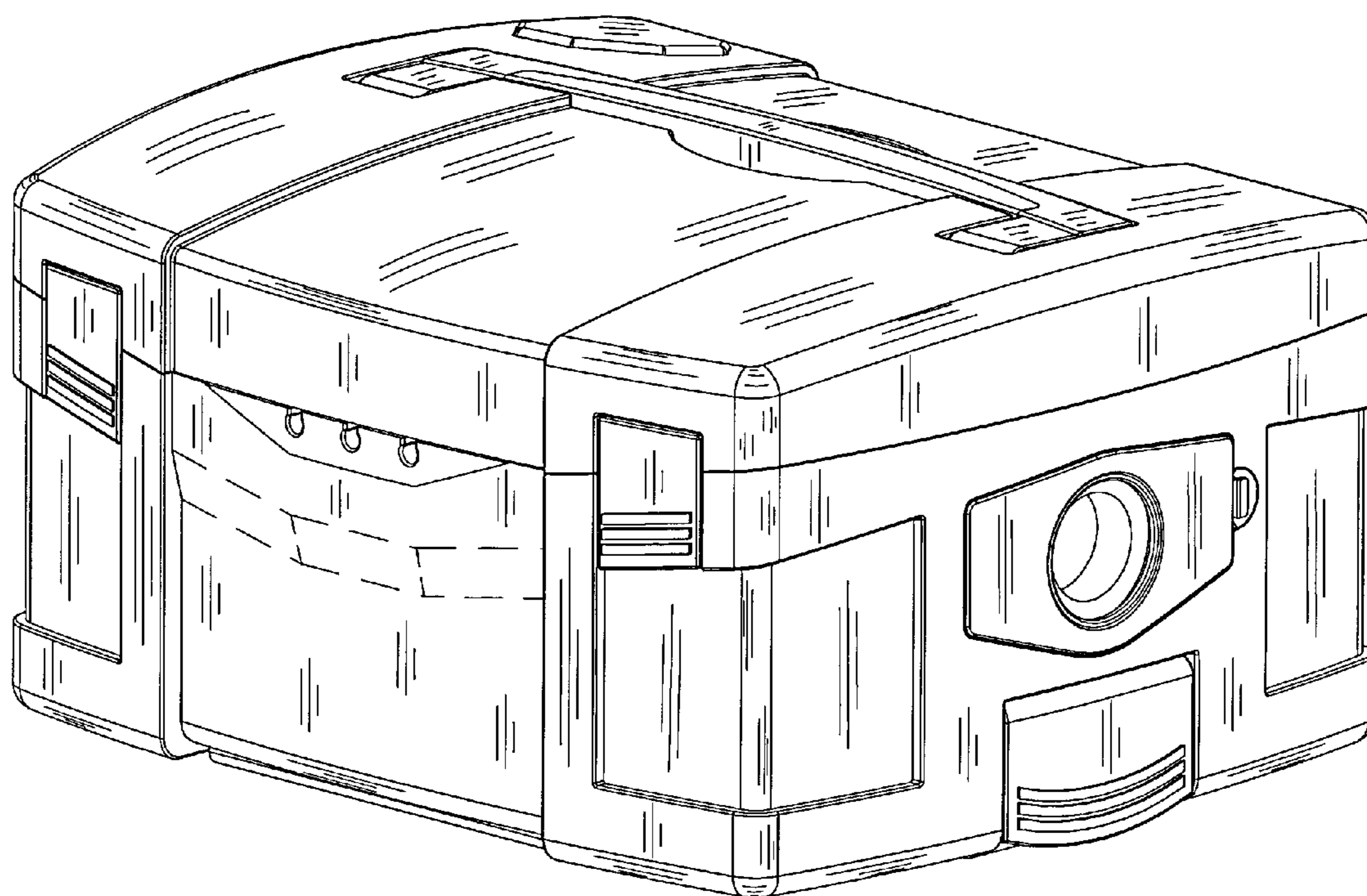


**FIG. 4**

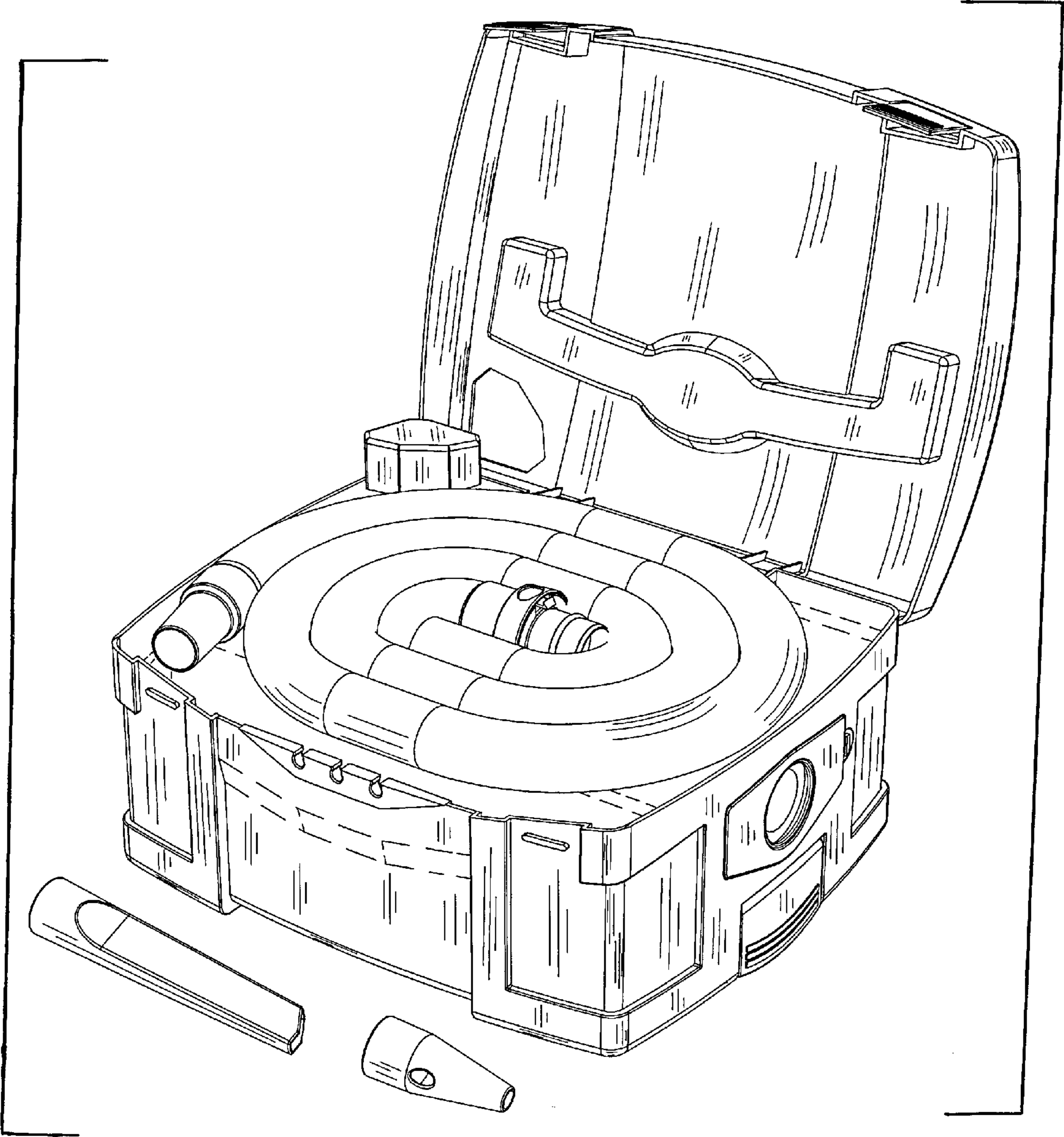


**FIG. 5**





**FIG. 6**



**FIG. 7**