



US00D707000S

(12) **United States Design Patent**  
**Massip et al.**

(10) **Patent No.:** **US D707,000 S**  
(45) **Date of Patent:** **\*\* Jun. 10, 2014**

(54) **GARMENT STEAMER**

(75) Inventors: **Victor Massip**, Nantes (FR); **Laurent Lebot**, Nantes (FR)

(73) Assignee: **Calor**, Lyons (FR)

(\*\*) Term: **14 Years**

(21) Appl. No.: **29/407,923**

(22) Filed: **Dec. 5, 2011**

(30) **Foreign Application Priority Data**

Jun. 6, 2011 (EM) ..... 001279681-0001  
Jun. 6, 2011 (EM) ..... 001279681-0002

(51) **LOC (10) Cl.** ..... **15-05**

(52) **U.S. Cl.**  
USPC ..... **D32/17**

(58) **Field of Classification Search**  
USPC ..... D32/17-21, 24, 31-33, 50; 15/320,  
15/322, 327.1, 327.5-327.7, 353,  
15/415.1-422, 422.1, 329, 366, 383, 384,  
15/400, 340.4, 340.2, 52.2, 50.1, 50.2;  
68/222, 5 R, 5 A; 392/403-406, 394,  
392/386; 8/149.3; 239/136, 128; 137/241;  
38/77.5-77.7, 77.9, 3, 14, 141, 77.83  
See application file for complete search history.

(56) **References Cited**

**U.S. PATENT DOCUMENTS**

5,609,047 A \* 3/1997 Hellman et al. .... 68/222  
D451,653 S \* 12/2001 Berreth et al. .... D32/17  
D489,499 S 5/2004 Buzzi  
D499,517 S 12/2004 Chen  
D504,198 S 4/2005 Hopper et al.  
6,886,373 B2 \* 5/2005 Carrubba et al. .... 68/222  
D520,196 S 5/2006 Liu  
D522,192 S 5/2006 Liu et al.  
D523,597 S 6/2006 Lee

D537,215 S \* 2/2007 Foersterling ..... D32/9  
D561,958 S \* 2/2008 Hahn ..... D32/17  
D576,771 S \* 9/2008 Reiner ..... D32/9  
D580,607 S \* 11/2008 Tobias ..... D32/17  
D599,511 S \* 9/2009 Massip et al. .... D32/17  
D607,620 S \* 1/2010 Massip et al. .... D32/17  
D623,365 S \* 9/2010 Ediger et al. .... D32/17  
D623,366 S 9/2010 Ediger et al.  
D627,940 S 11/2010 Smith  
D652,185 S \* 1/2012 Mu ..... D32/21  
8,091,747 B2 \* 1/2012 Haan ..... 223/90  
D657,100 S \* 4/2012 Ediger et al. .... D32/17  
D659,919 S \* 5/2012 Lin ..... D32/17  
8,205,363 B2 \* 6/2012 Lin et al. .... 38/77.6

(Continued)

**FOREIGN PATENT DOCUMENTS**

EM 001244479-0001 11/2010  
EM 001828864-0001 3/2011

**OTHER PUBLICATIONS**

U.S. Appl. No. 29/407,924, filed Dec. 5, 2011, Victor Massip et al.

*Primary Examiner* — Ruth McInroy

(74) *Attorney, Agent, or Firm* — Loeb & Loeb LLP

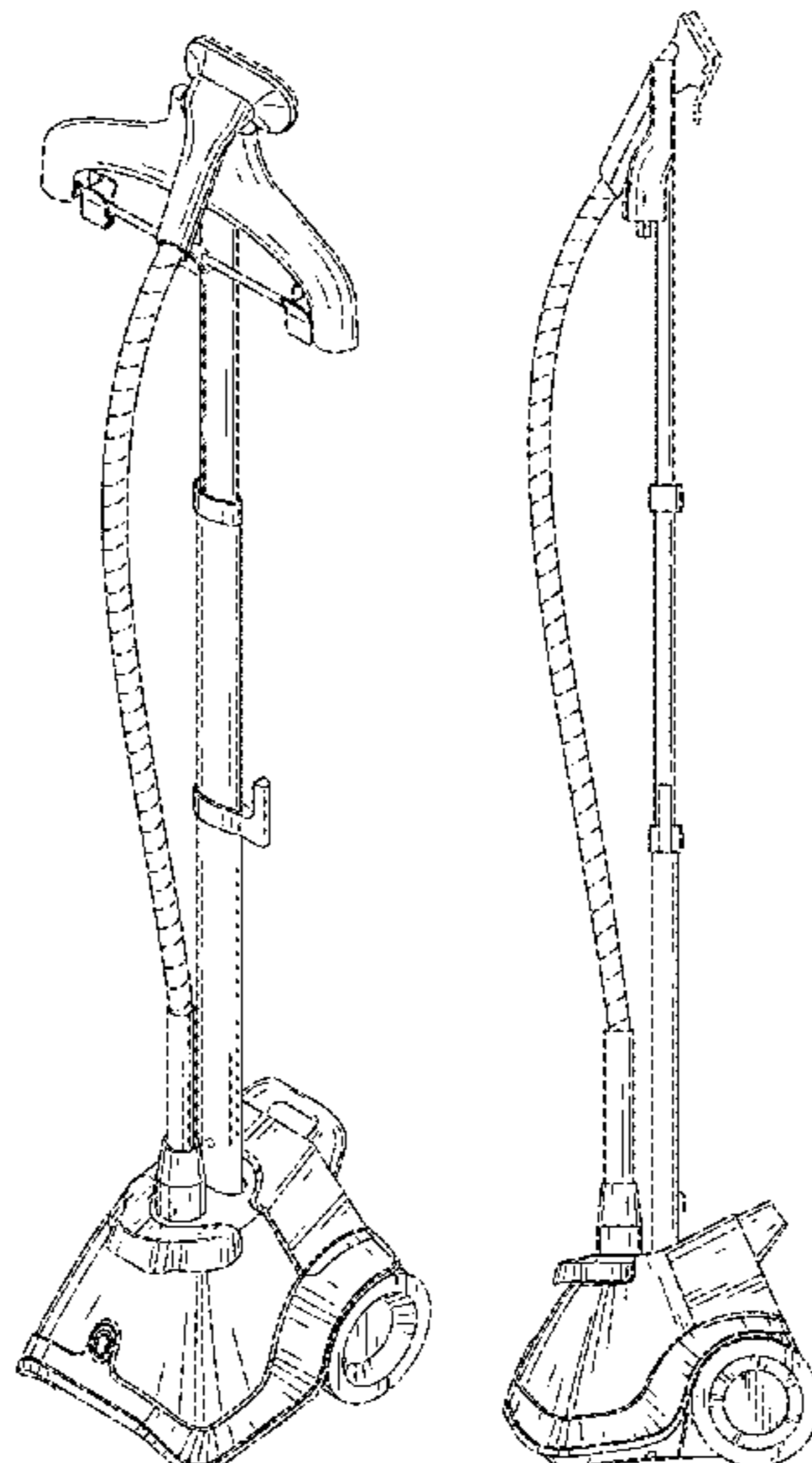
(57) **CLAIM**

The ornamental design for a garment steamer, as shown and described.

**DESCRIPTION**

FIG. 1 is a perspective view of a garment steamer showing our new design;  
FIG. 2 is a left side elevational view thereof;  
FIG. 3 is a right side elevational view thereof;  
FIG. 4 is a front elevational view thereof;  
FIG. 5 is a rear elevational view thereof;  
FIG. 6 is a top plan view thereof; and,  
FIG. 7 is a bottom plan view thereof.

**1 Claim, 7 Drawing Sheets**



# US D707,000 S

Page 2

---

(56)

## References Cited

### U.S. PATENT DOCUMENTS

D663,496 S \* 7/2012 Ediger et al. .... D32/17  
8,275,248 B2 \* 9/2012 Xu et al. .... 392/394  
D670,044 S \* 10/2012 Andreesen ..... D32/17  
8,302,334 B2 \* 11/2012 Krebs et al. .... 38/77.83

2004/0144140 A1\* 7/2004 Lee ..... 68/222  
2005/0150261 A1\* 7/2005 Carlucci ..... 68/222  
2006/0188239 A1\* 8/2006 Carlucci ..... 392/403  
2009/0255302 A1\* 10/2009 Haan ..... 68/222  
2011/0107546 A1\* 5/2011 Spatz et al. .... 15/320

\* cited by examiner

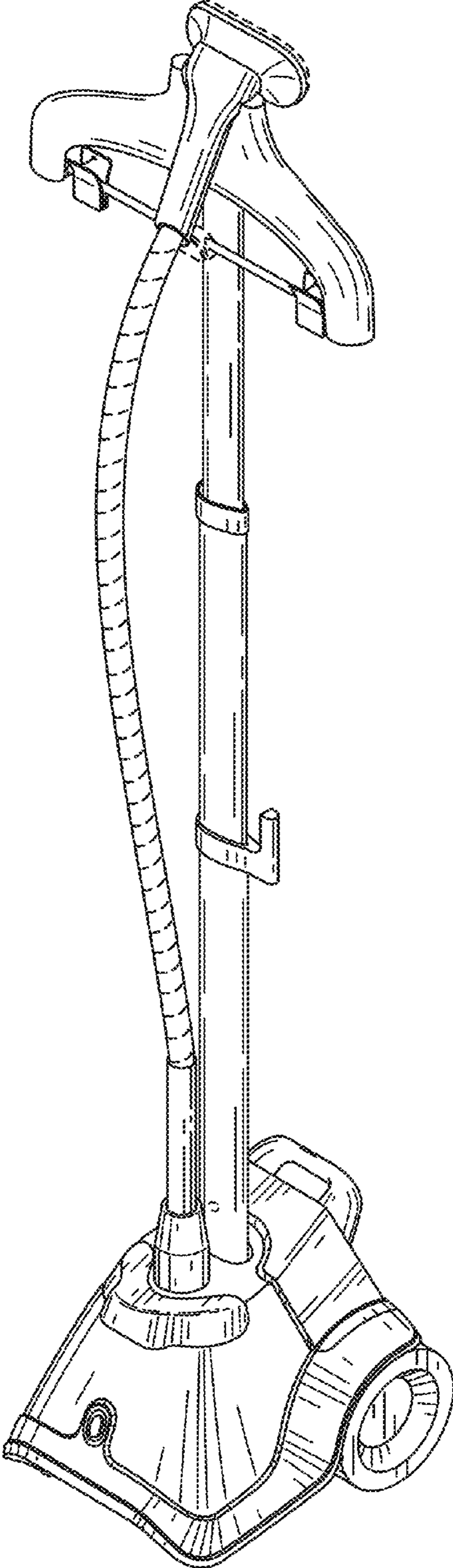


Fig. 1

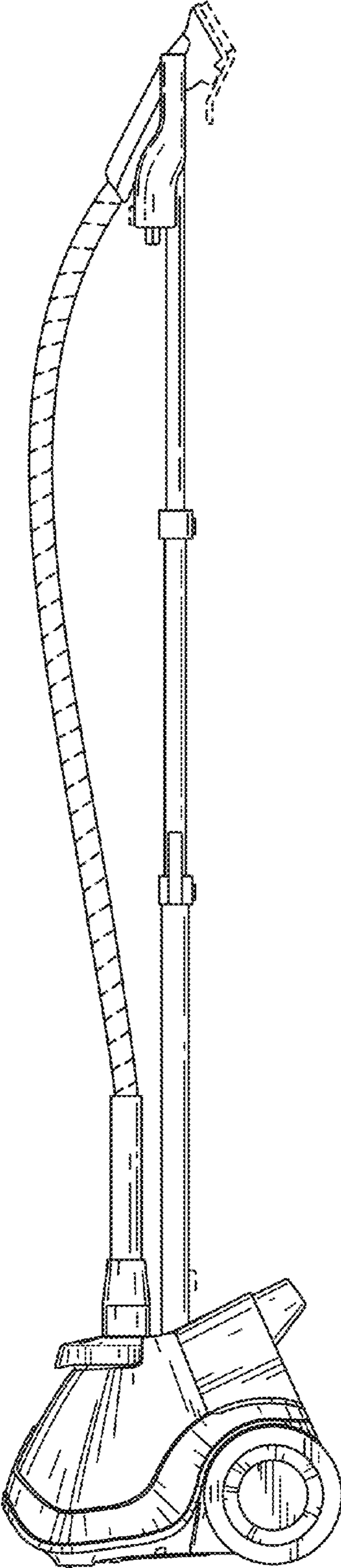


Fig. 2

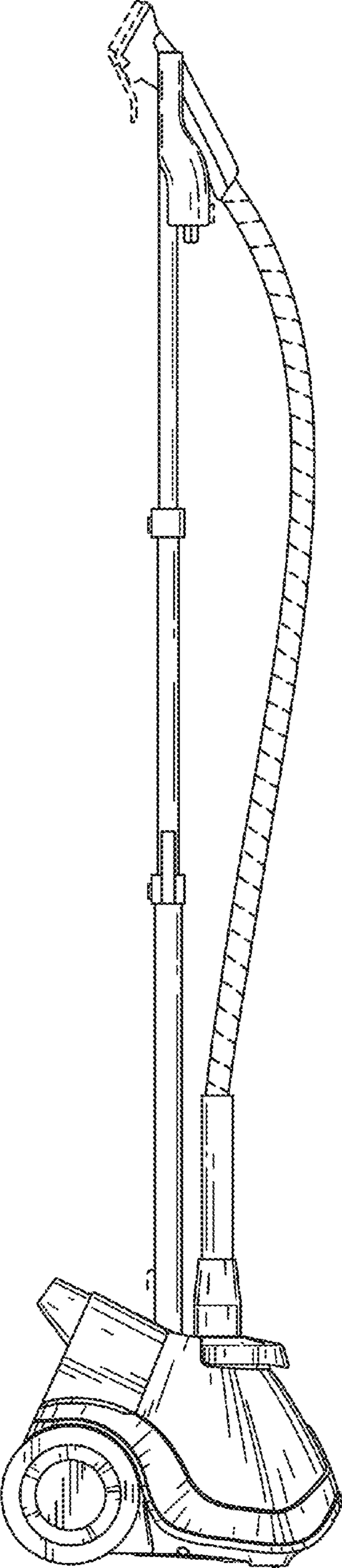


Fig. 3

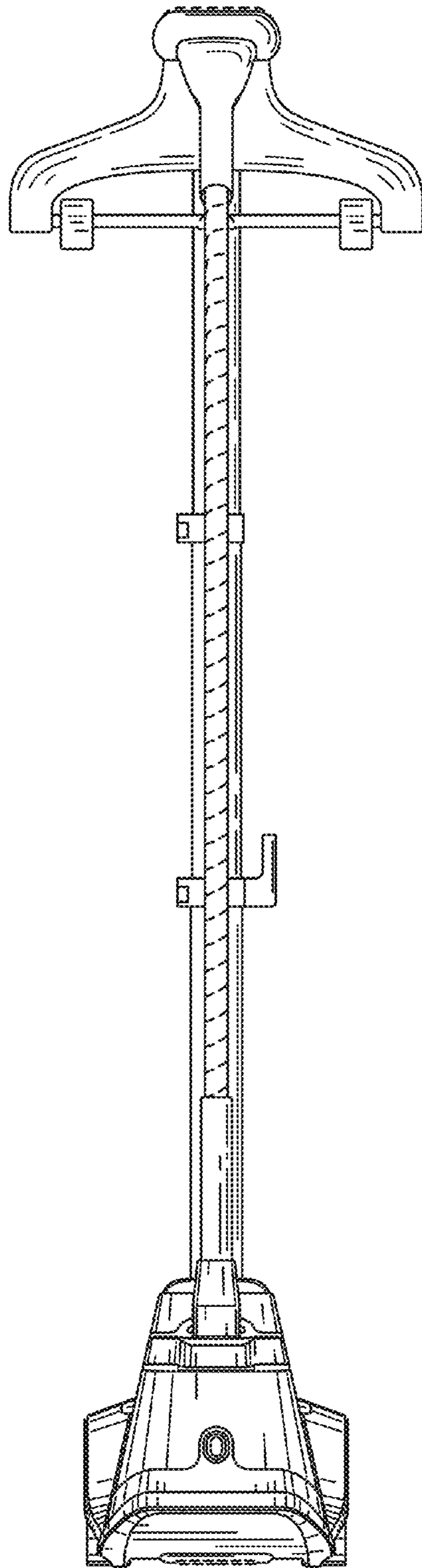


Fig. 4

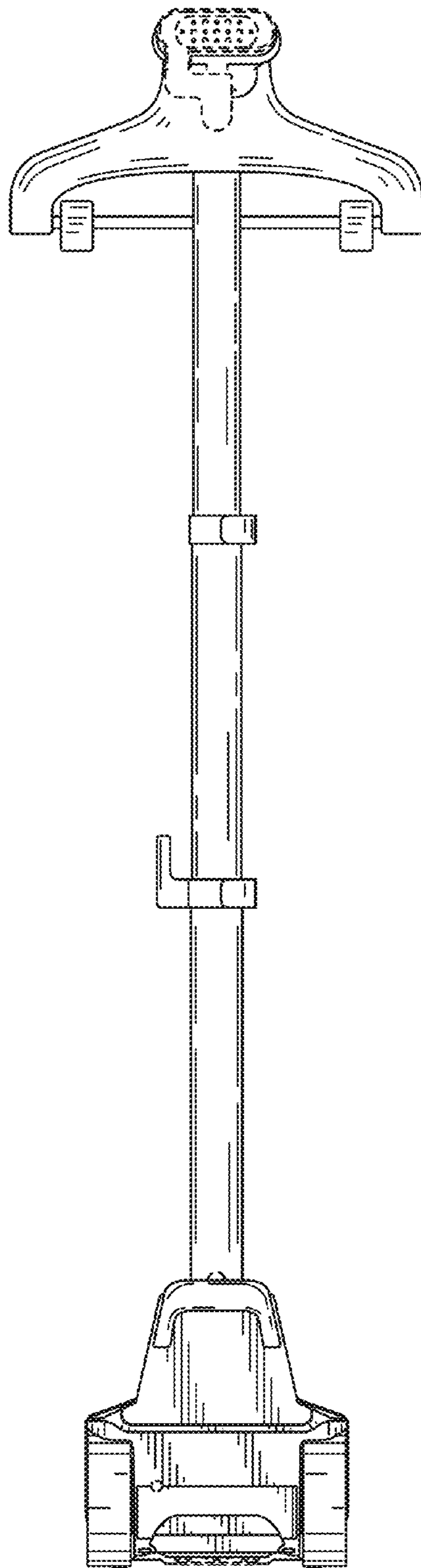


Fig. 5

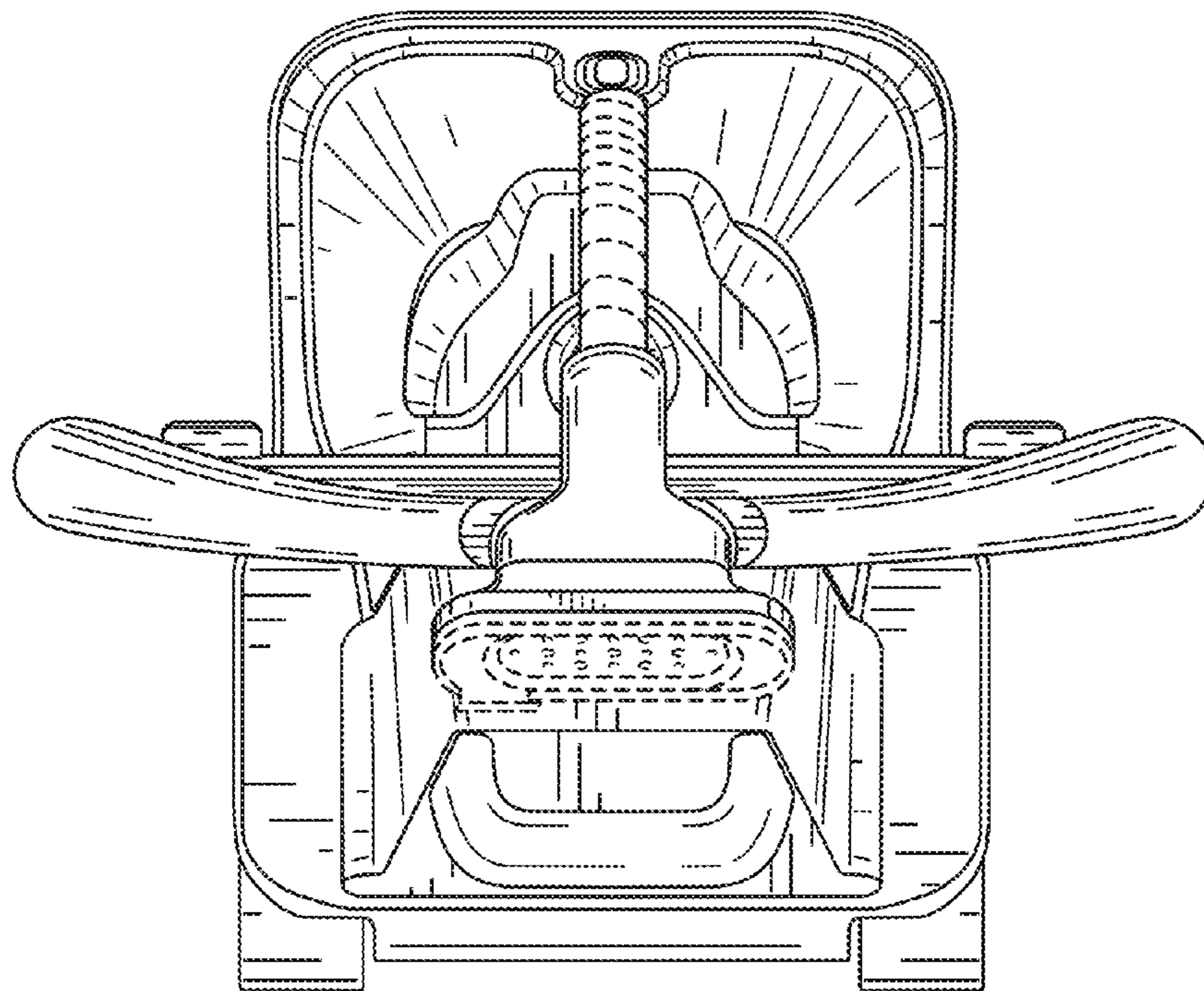


Fig. 6



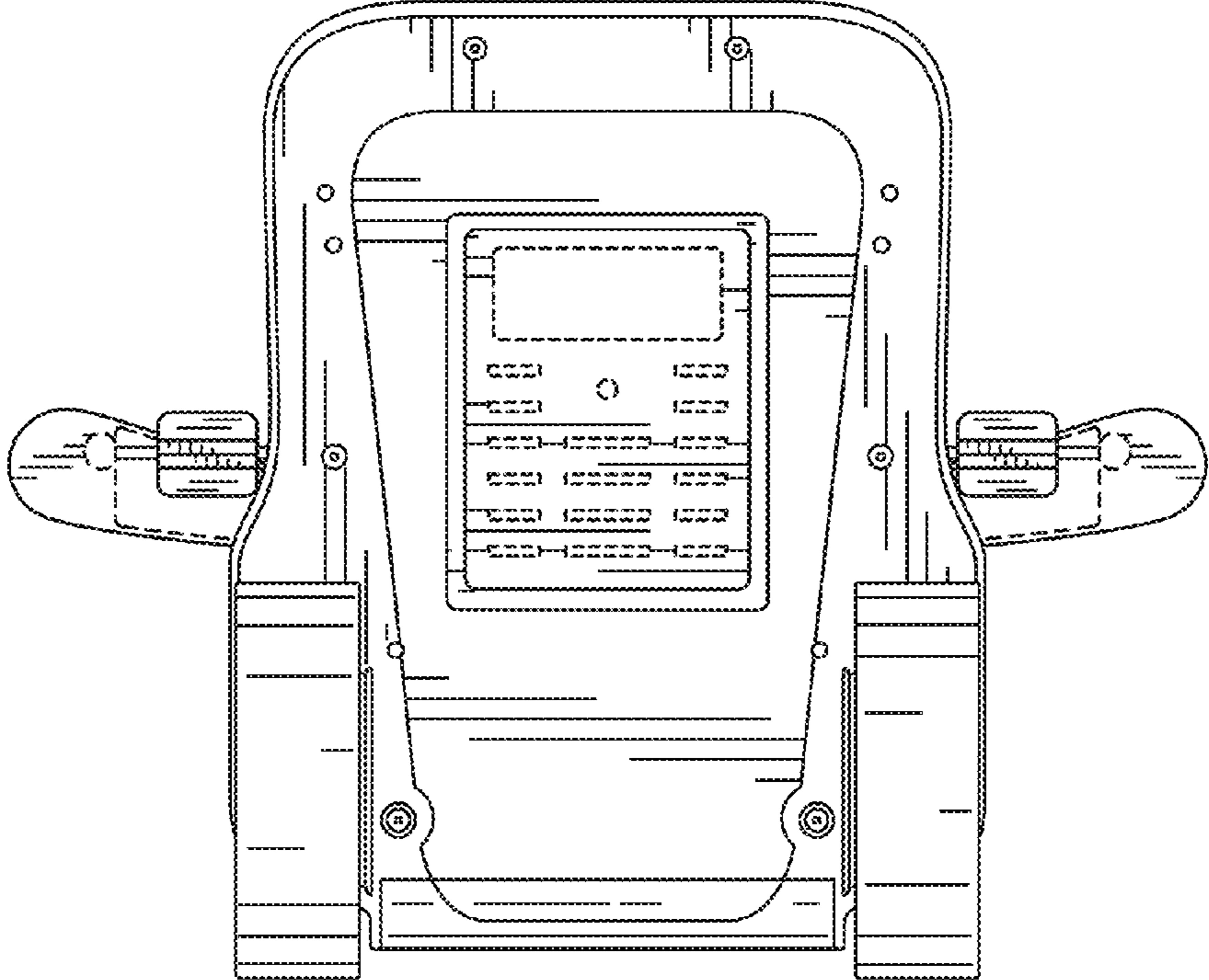


Fig. 7