



US00D706985S

(12) **United States Design Patent**
Johnson

(10) **Patent No.:** **US D706,985 S**
(45) **Date of Patent:** **** Jun. 10, 2014**

(54) **NAIL FILING AND CONTOURING DEVICE**
(71) Applicant: **Pauline A. Johnson**, Post Falls, ID (US)
(72) Inventor: **Pauline A. Johnson**, Post Falls, ID (US)
(**) Term: **14 Years**

D530,450 S * 10/2006 Park D28/59
D584,855 S * 1/2009 Kennedy D28/59
D666,772 S * 9/2012 Park D28/59
2006/0054177 A1 3/2006 Kim
2008/0223385 A1 9/2008 Cha
2009/0126759 A1 5/2009 Pellereau
2010/0037906 A1* 2/2010 Ionis et al. 132/76.5
2013/0104921 A1* 5/2013 Shammami 132/73

* cited by examiner

(21) Appl. No.: **29/444,855**

(22) Filed: **Feb. 5, 2013**

(51) **LOC (10) Cl.** **28-03**

(52) **U.S. Cl.**
USPC **D28/59**

(58) **Field of Classification Search**
USPC D28/56-59; D24/133, 146; 132/73,
132/73.5, 75.3, 75.5, 75.6, 76.4, 76.5
See application file for complete search history.

Primary Examiner — Jennifer Rivard
(74) *Attorney, Agent, or Firm* — Robert C. Montgomery;
Montgomery Patent & Design

(57) **CLAIM**
The ornamental design for a nail filing and contouring device,
as shown and described.

DESCRIPTION

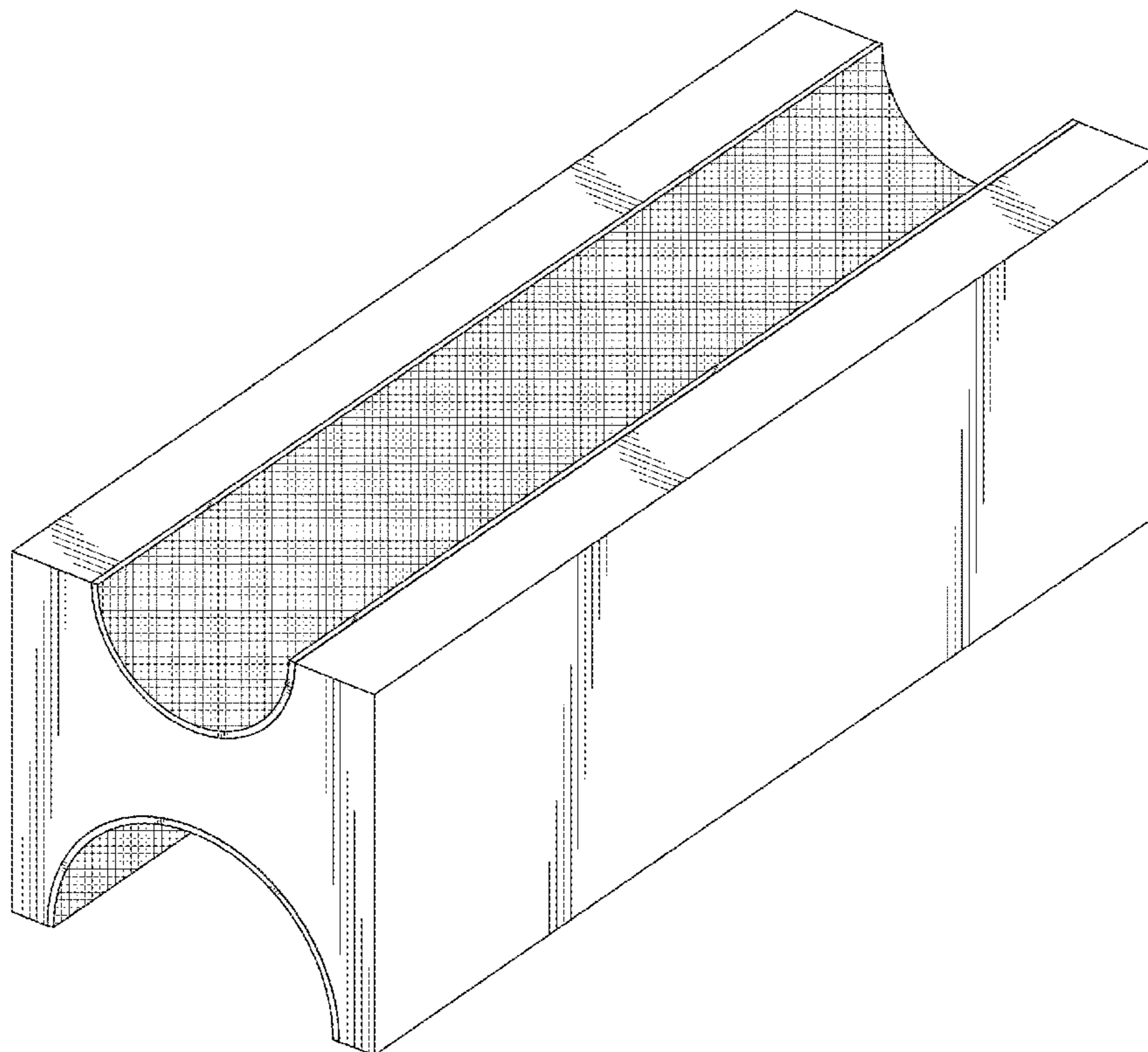
(56) **References Cited**

U.S. PATENT DOCUMENTS

D49,710 S 9/1916 Lupo
1,586,441 A 5/1926 Blom
D170,035 S 7/1953 Troya
D227,714 S * 7/1973 Ishil D28/59
4,757,571 A * 7/1988 Young 132/76.4
D323,569 S 1/1992 Nguyen
D513,093 S * 12/2005 Kim D28/59

FIG. 1 is a perspective top view of a nail filing and contouring device, showing my new design;
FIG. 2 is a front view thereof with a rear view being a mirror image;
FIG. 3 is a left side view thereof with a right side view being a mirror image;
FIG. 4 is a top view thereof; and,
FIG. 5 is a bottom view thereof.

1 Claim, 5 Drawing Sheets



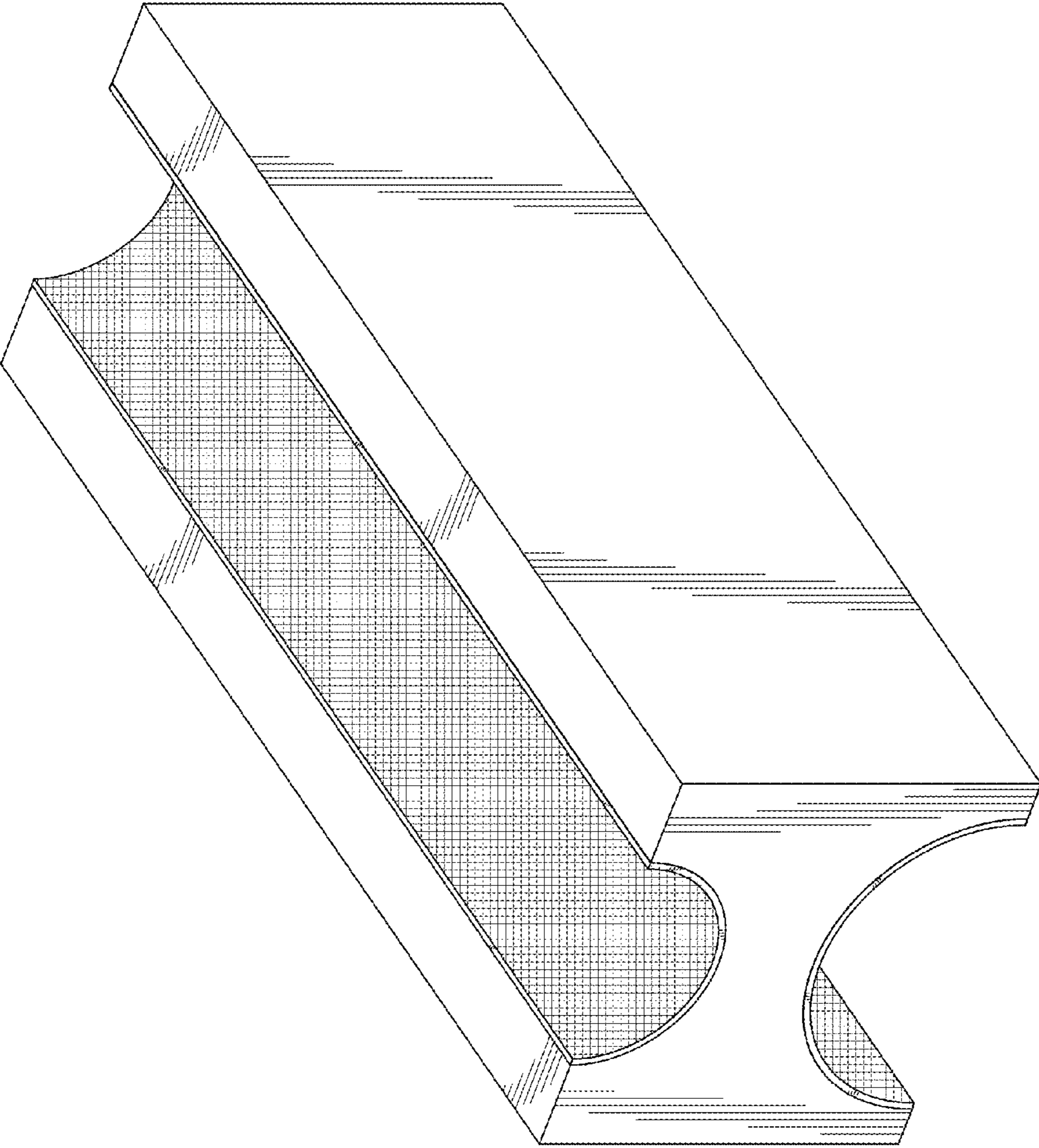


Fig. 1

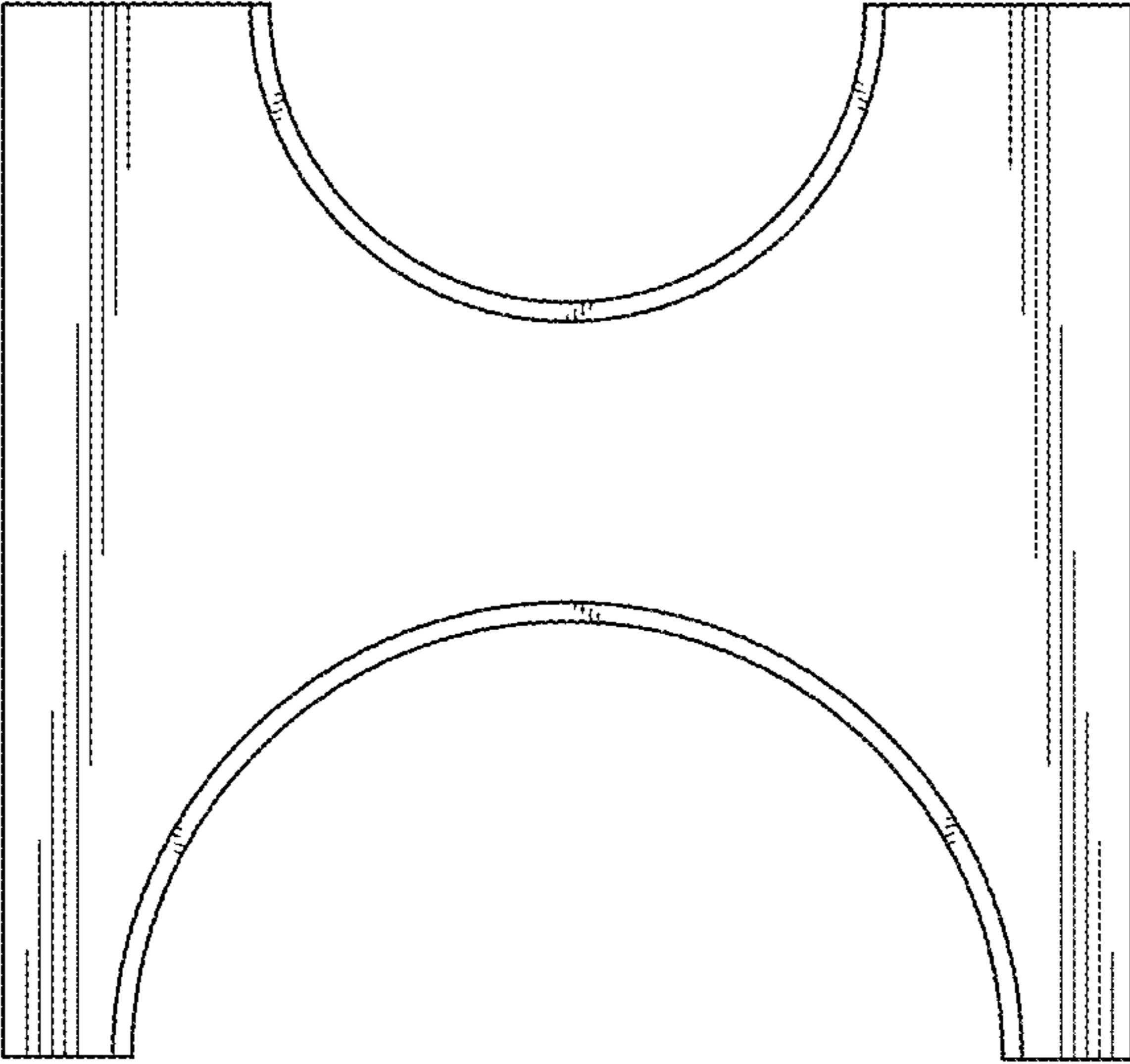


Fig. 2

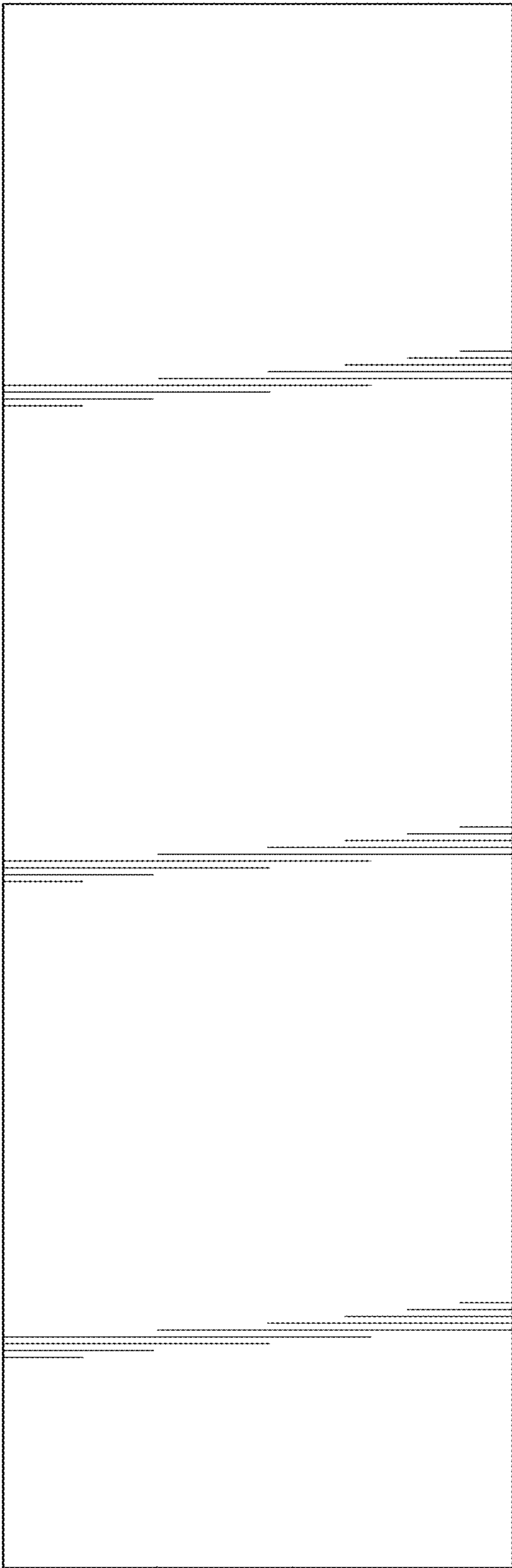


Fig. 3

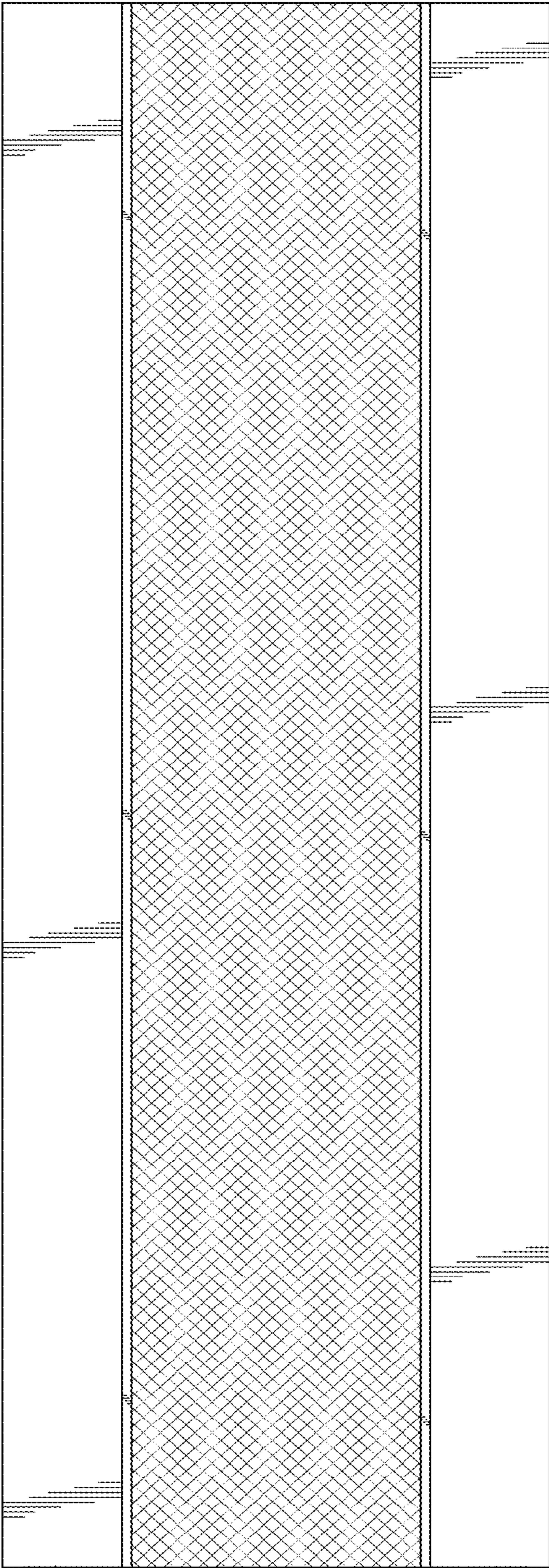


Fig. 4

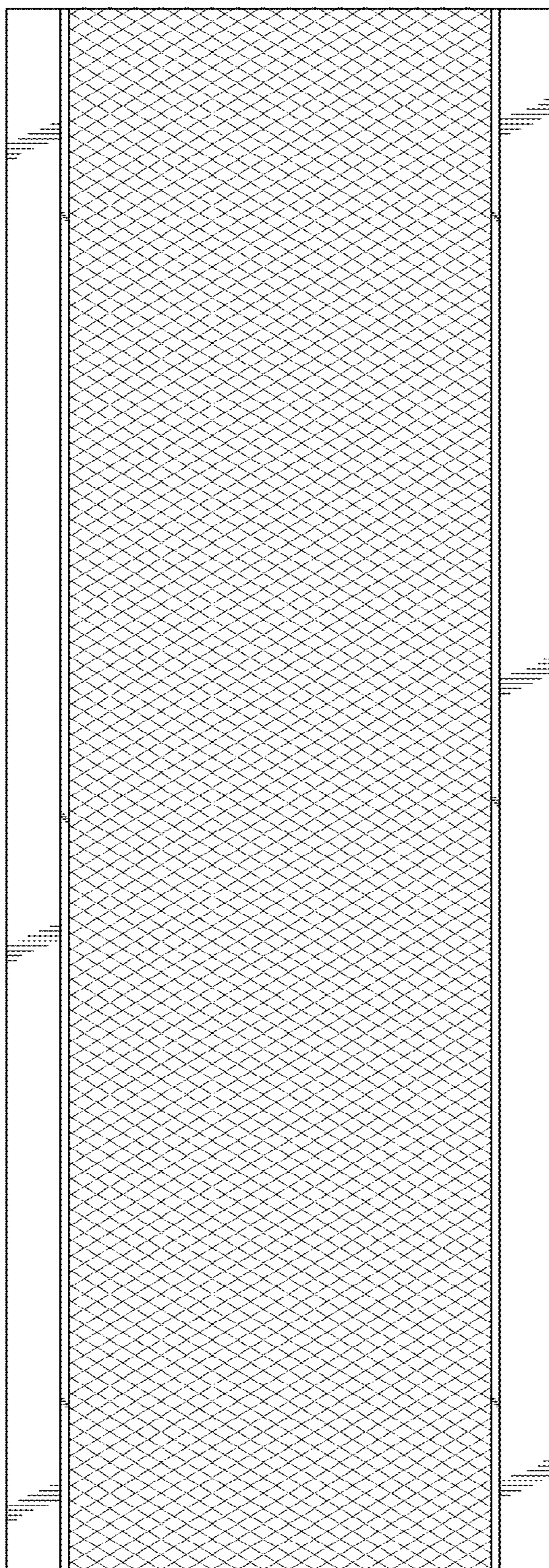


Fig. 5