



US00D706984S

(12) **United States Design Patent**
Nguyen

(10) **Patent No.:** **US D706,984 S**

(45) **Date of Patent:** **** Jun. 10, 2014**

(54) **NAIL POLISH REMOVAL PACKET**

(71) Applicant: **Tinh Nguyen**, Avon, OH (US)

(72) Inventor: **Tinh Nguyen**, Avon, OH (US)

(**) Term: **14 Years**

(21) Appl. No.: **29/421,944**

(22) Filed: **Oct. 30, 2012**

(51) **LOC (10) Cl.** **28-03**

(52) **U.S. Cl.**

USPC **D28/57**

(58) **Field of Classification Search**

CPC A45D 29/007; A45D 2200/1009;
A45D 37/00; A45D 29/16-29/17; A45D
2200/1018; A45D 2200/1036-2200/1045;
A61K 8/0208

USPC 132/74.5, 320, 73; D28/56-60;
15/209.1, 210.1, 104.94

See application file for complete search history.

(56) **References Cited**

U.S. PATENT DOCUMENTS

3,124,825	A	3/1964	Iovenko	15/506
3,369,553	A	2/1968	Keesee	132/73.5
3,635,567	A *	1/1972	Richardson, Jr.	401/132
3,902,509	A *	9/1975	Tundermann et al.	433/142
3,921,802	A *	11/1975	Thompson	206/225
4,800,904	A *	1/1989	Kinseley et al.	132/73
4,938,347	A *	7/1990	Tillman	206/209
4,966,174	A	10/1990	Stanczak	132/73
5,026,541	A *	6/1991	Lanier	132/73
5,795,314	A	8/1998	Berenstein	601/166
5,918,608	A *	7/1999	Renna	132/320
6,305,383	B1	10/2001	Thoma	132/200
6,367,485	B1	4/2002	Dutton-Davis et al.	132/200

6,634,367	B2	10/2003	Abraham et al.	132/74.5
6,988,502	B2	1/2006	Tsukamoto	132/200
D516,750	S	3/2006	Kazumura	D28/56
D664,300	S	7/2012	Ton	D28/57
2005/0034741	A1 *	2/2005	Lee	132/320
2006/0242780	A1 *	11/2006	Yang et al.	15/227
2011/0284017	A1	11/2011	Nakamura	132/73
2011/0289712	A1 *	12/2011	Scott et al.	15/209.1
2012/0059339	A1	3/2012	Gundersen	604/304
2012/0240951	A1	9/2012	Kovarik et al.	132/200
2014/0007894	A1 *	1/2014	Gagnon	132/200

* cited by examiner

Primary Examiner — Jennifer Rivard

(74) *Attorney, Agent, or Firm* — David A. Burge

(57) **CLAIM**

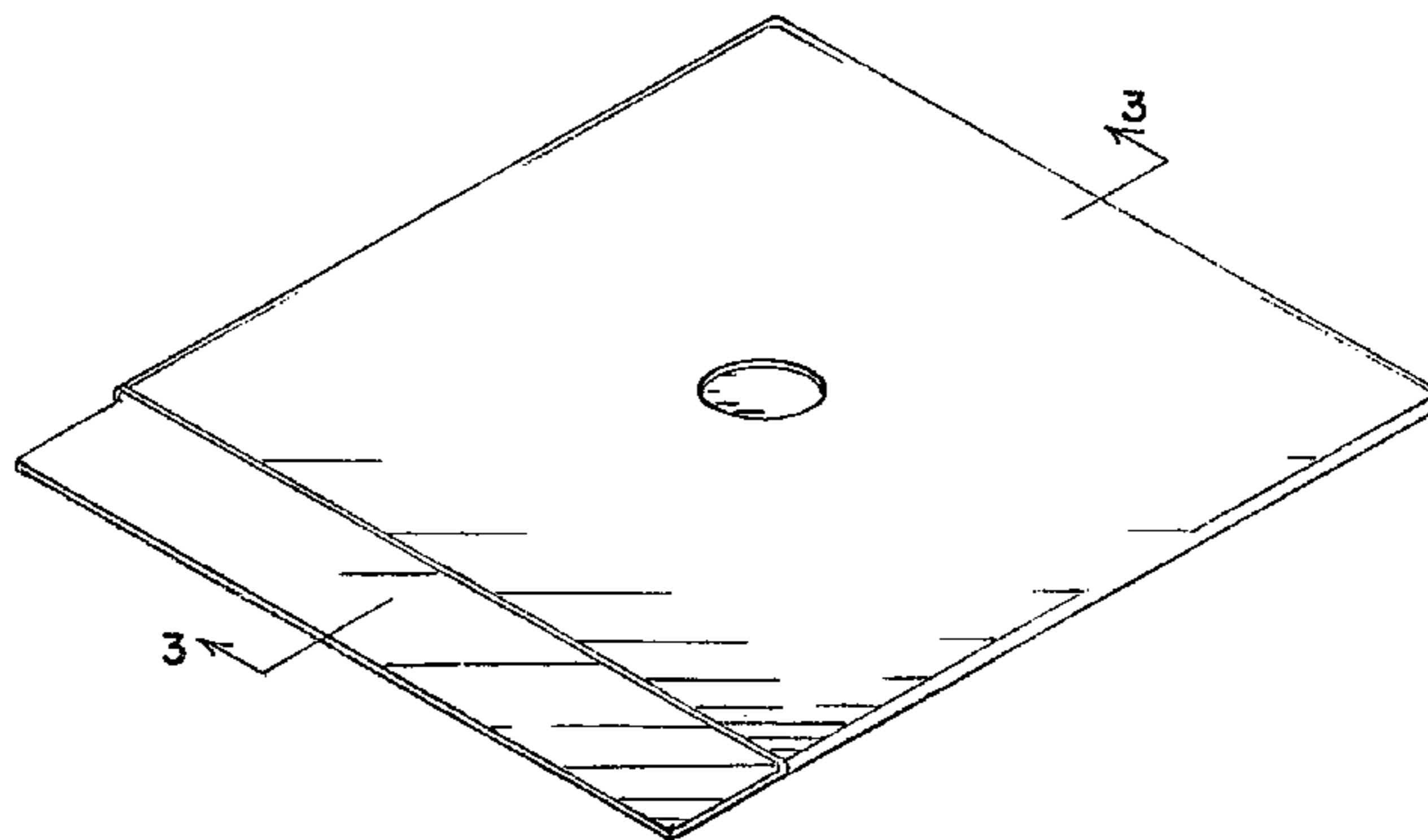
I claim the ornamental design for a nail polish removal packet, substantially as shown and described.

DESCRIPTION

Attention is drawn to a concurrently filed, subject matter related utility application, Ser. No. 13/694,081, of Tinh Nguyen, entitled Nail Polish Removal Method and Device, the entire disclosure of which is incorporated herein by reference.

FIG. 1 is a perspective view of a nail polish removal packet, showing front, top and right side portions of my new design; FIG. 2 is a right side view thereof, it being understood that a left side view is a mirror image reversal hereof; FIG. 3 is a cross-sectional view as seen from a plane indicated by a line indicated by the numbers 3-3 in FIG. 1; FIG. 4 is a rear view thereof; FIG. 5 is a front view thereof; FIG. 6 is a top view thereof; and, FIG. 7 is a bottom view thereof.

1 Claim, 2 Drawing Sheets



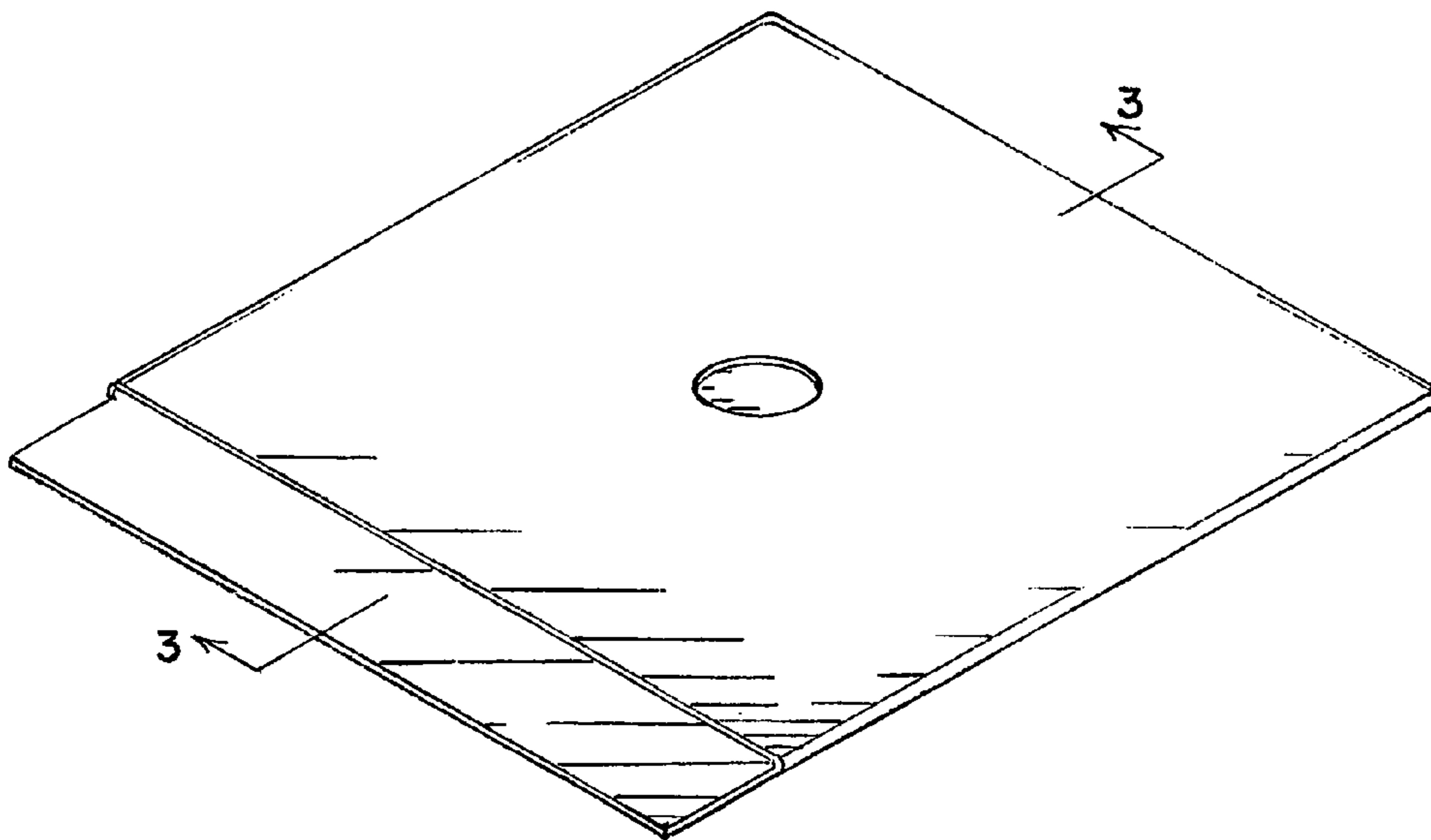


FIG. 1

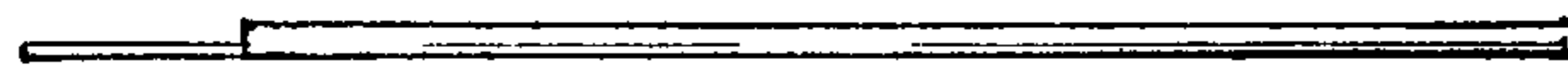


FIG. 2



FIG. 3

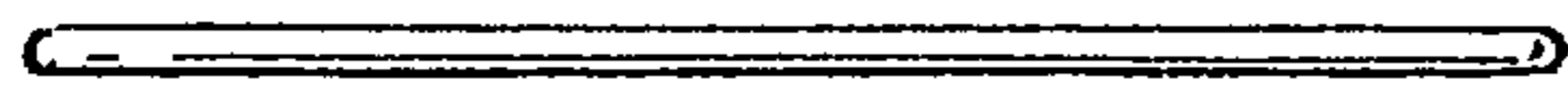


FIG. 4

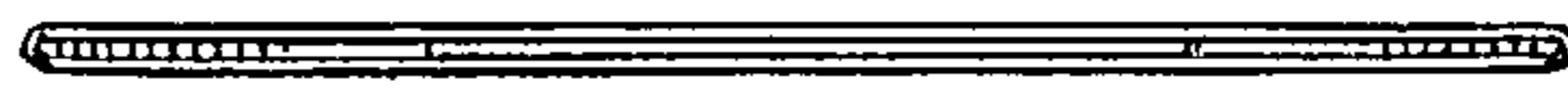


FIG. 5

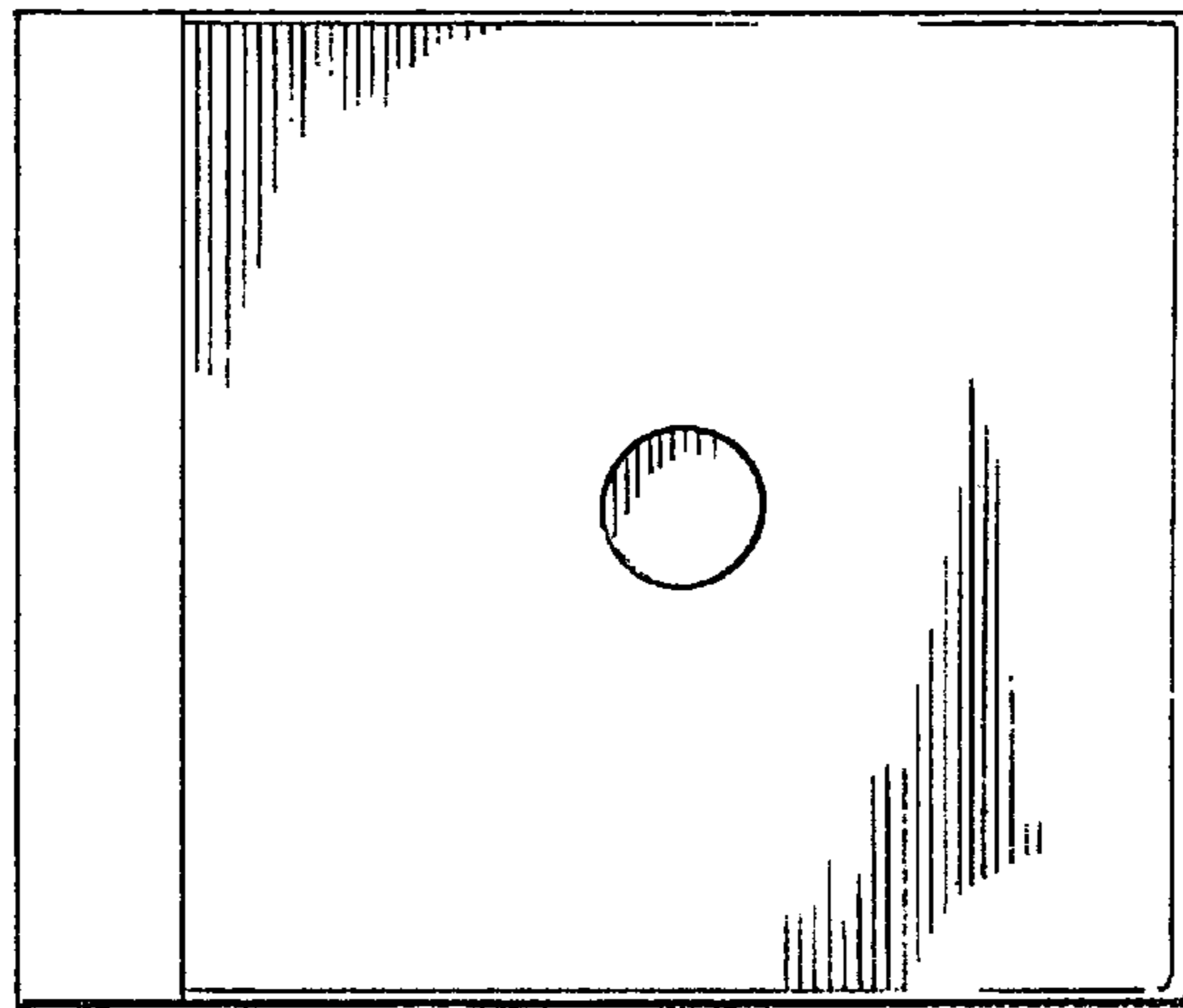


FIG. 6

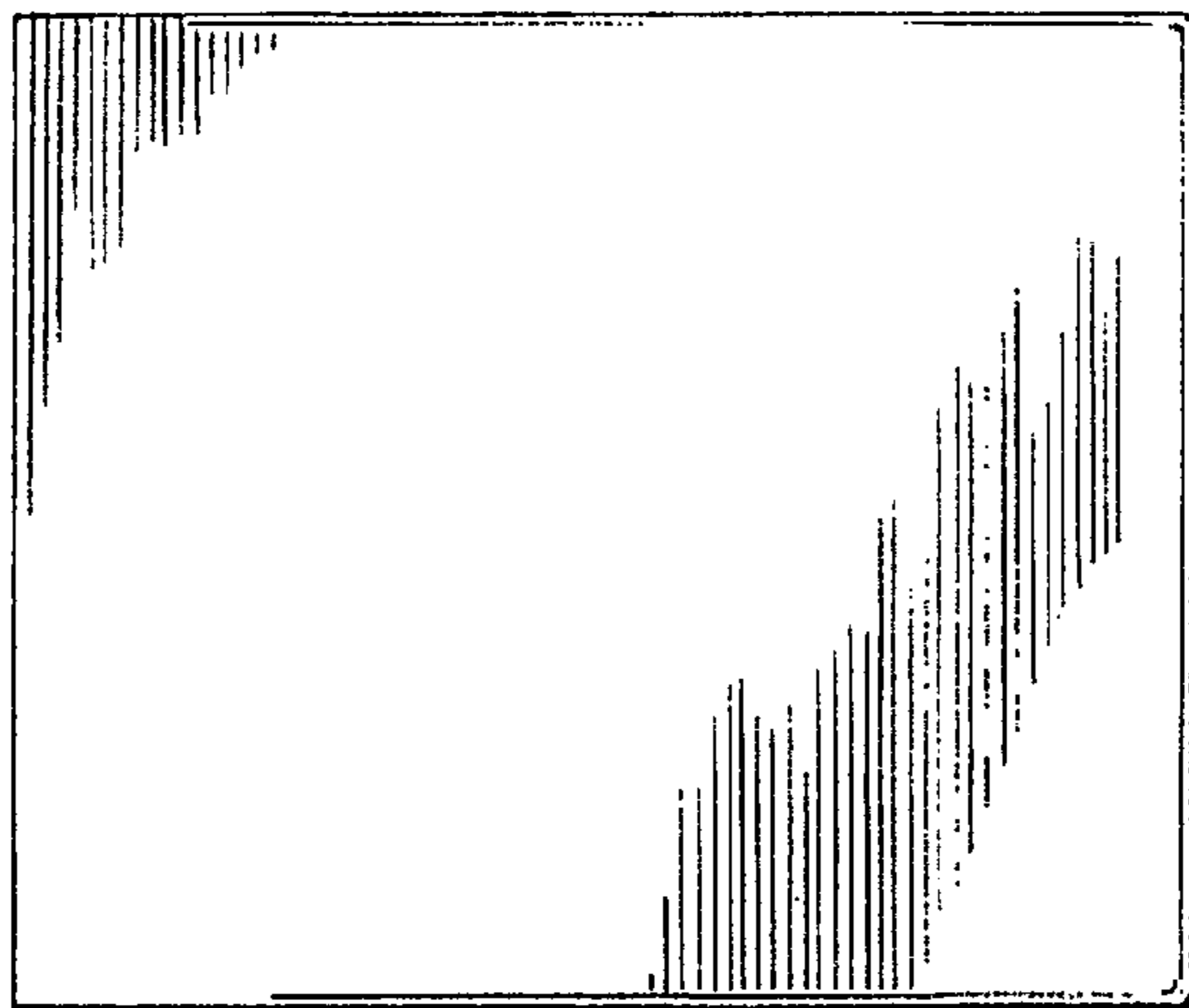


FIG. 7