

US00D706982S

(12) **United States Design Patent**
Clough et al.

(10) **Patent No.:** **US D706,982 S**
(45) **Date of Patent:** **** Jun. 10, 2014**

(54) **DEPILATORY DEVICE WITH COVER**

(71) Applicant: **Reckitt Benckiser (Brands) Limited,**
Berkshire (GB)

(72) Inventors: **Richard Clough,** Warwick (GB);
Darren Morgan, Berkshire (GB);
Mohammed Chopdat, Hull (GB);
Michael Liang, Dongguan (CN);
Victoria Perrin, Hull (GB)

(73) Assignee: **Reckitt Benckiser (Brands) Limited,**
Slough, Berkshire (GB)

(**) Term: **14 Years**

(21) Appl. No.: **29/461,268**

(22) Filed: **Jul. 19, 2013**

(30) **Foreign Application Priority Data**

Jan. 23, 2013 (EM) 002171074-0002

(51) **LOC (10) Cl.** **28-03**

(52) **U.S. Cl.**
USPC **D28/44.1**

(58) **Field of Classification Search**
USPC D28/57-59, 44-44.1; D24/146, 133;
606/131-134; 401/1; 132/73.5, 75.8,
132/75.6, 73.6, 75.5, 76.4
See application file for complete search history.

(56) **References Cited**

U.S. PATENT DOCUMENTS

D269,641 S * 7/1983 Mann D28/51
D290,527 S * 6/1987 Thorogood D28/10
4,773,784 A * 9/1988 Mann 401/1
D397,509 S * 8/1998 Shvadron D28/10

5,803,636 A * 9/1998 Legrain et al. 401/1
D412,598 S * 8/1999 Gudefin D28/44.1
6,039,482 A * 3/2000 Smal 401/1
D541,473 S * 4/2007 Lamason et al. D28/44.1
7,644,589 B2 * 1/2010 Habatjou 62/60
D654,220 S * 2/2012 Cole D28/45
8,226,662 B2 * 7/2012 Song 606/131
D681,277 S * 4/2013 Yiu D28/59
D686,370 S * 7/2013 Yiu D28/59
D692,181 S * 10/2013 Yiu D28/53
2003/0002912 A1 * 1/2003 Morpeth 401/208
2009/0209977 A1 * 8/2009 Rogatschnig 606/133
2010/0239356 A1 * 9/2010 Caulier 401/157

* cited by examiner

Primary Examiner — Jennifer Rivard

(74) *Attorney, Agent, or Firm* — Troutman Sanders LLP;
Ryan A. Schneider

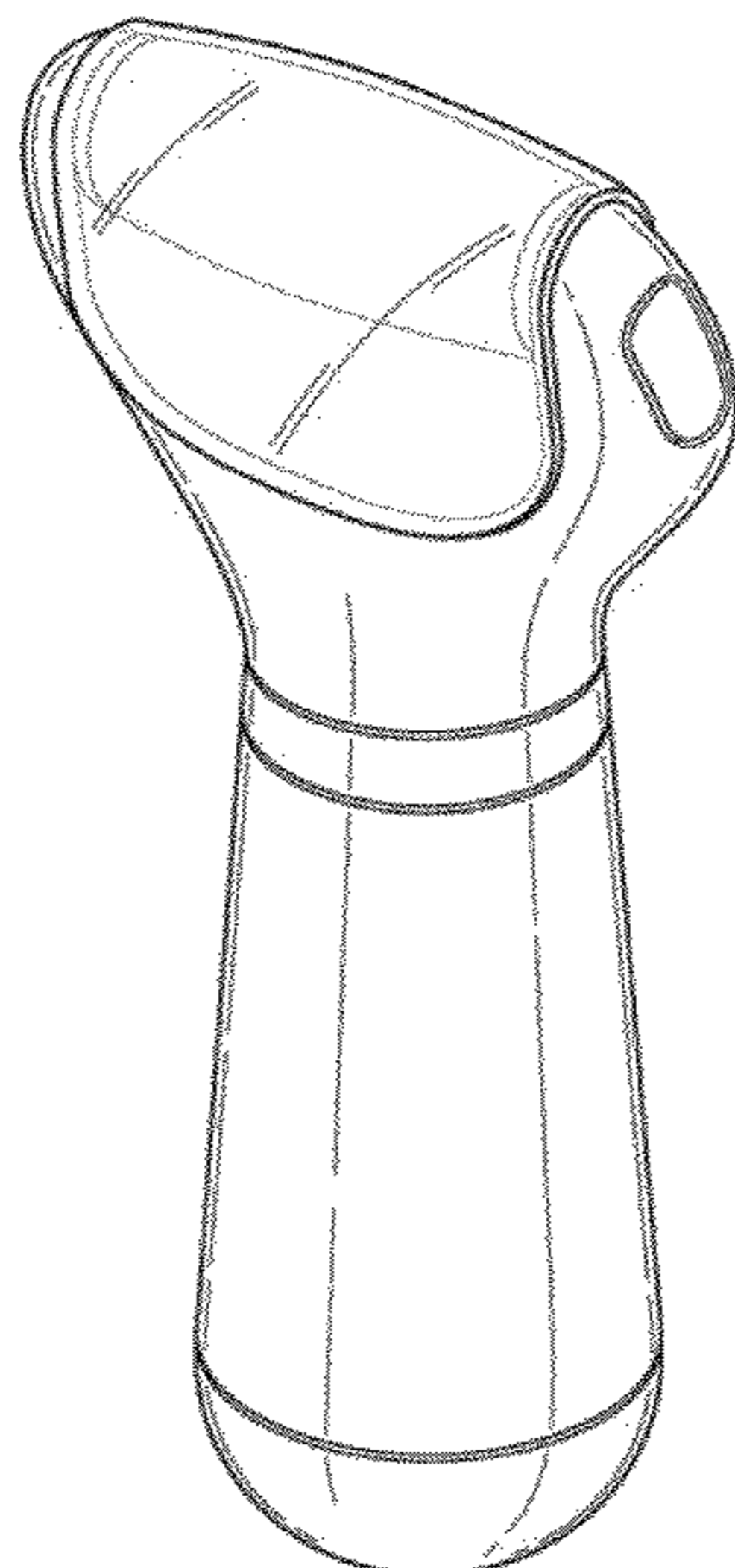
(57) **CLAIM**

The ornamental design for a depilatory device with cover, as shown and described.

DESCRIPTION

FIG. 1 is a front perspective view of a depilatory device with cover according to the present invention;
FIG. 2 is a front view of the depilatory device with cover of FIG. 1;
FIG. 3 is the back view of the depilatory device with cover of FIG. 1;
FIG. 4 is a side view of the depilatory device with cover of FIG. 1;
FIG. 5 is the other side view of the depilatory device with cover of FIG. 1;
FIG. 6 is a top view of the depilatory device with cover of FIG. 1; and,
FIG. 7 is a bottom view of the depilatory device with cover of FIG. 1.

1 Claim, 3 Drawing Sheets



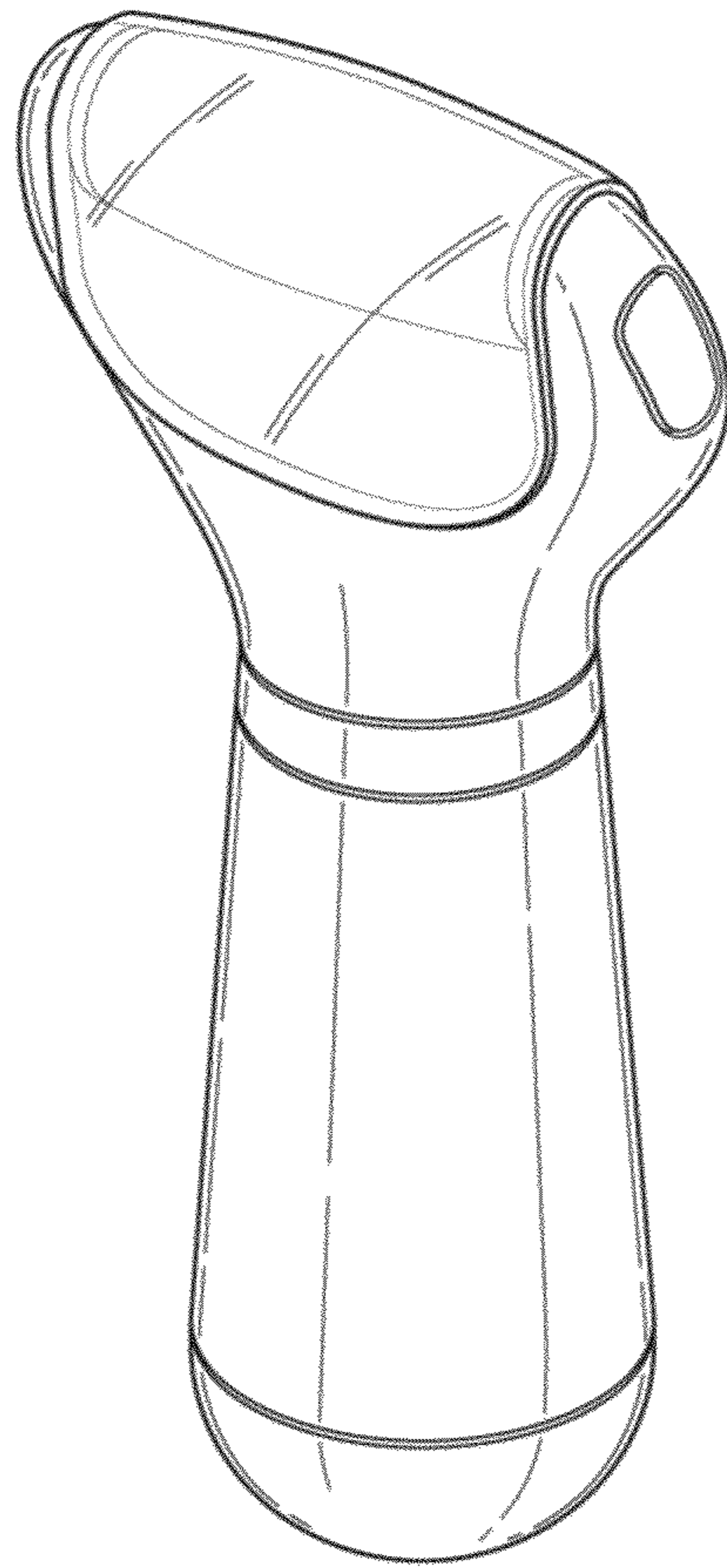


Fig. 1

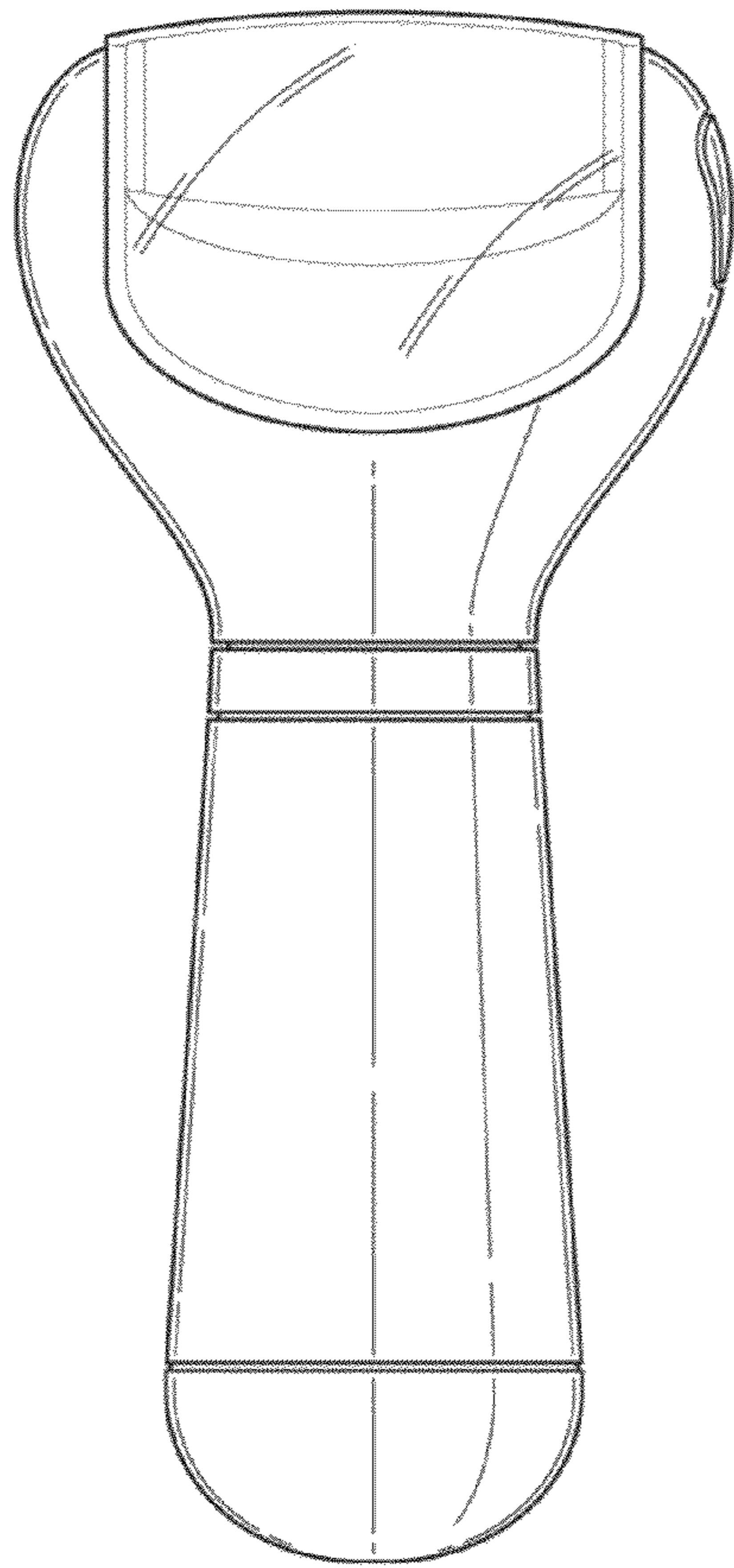


Fig. 2

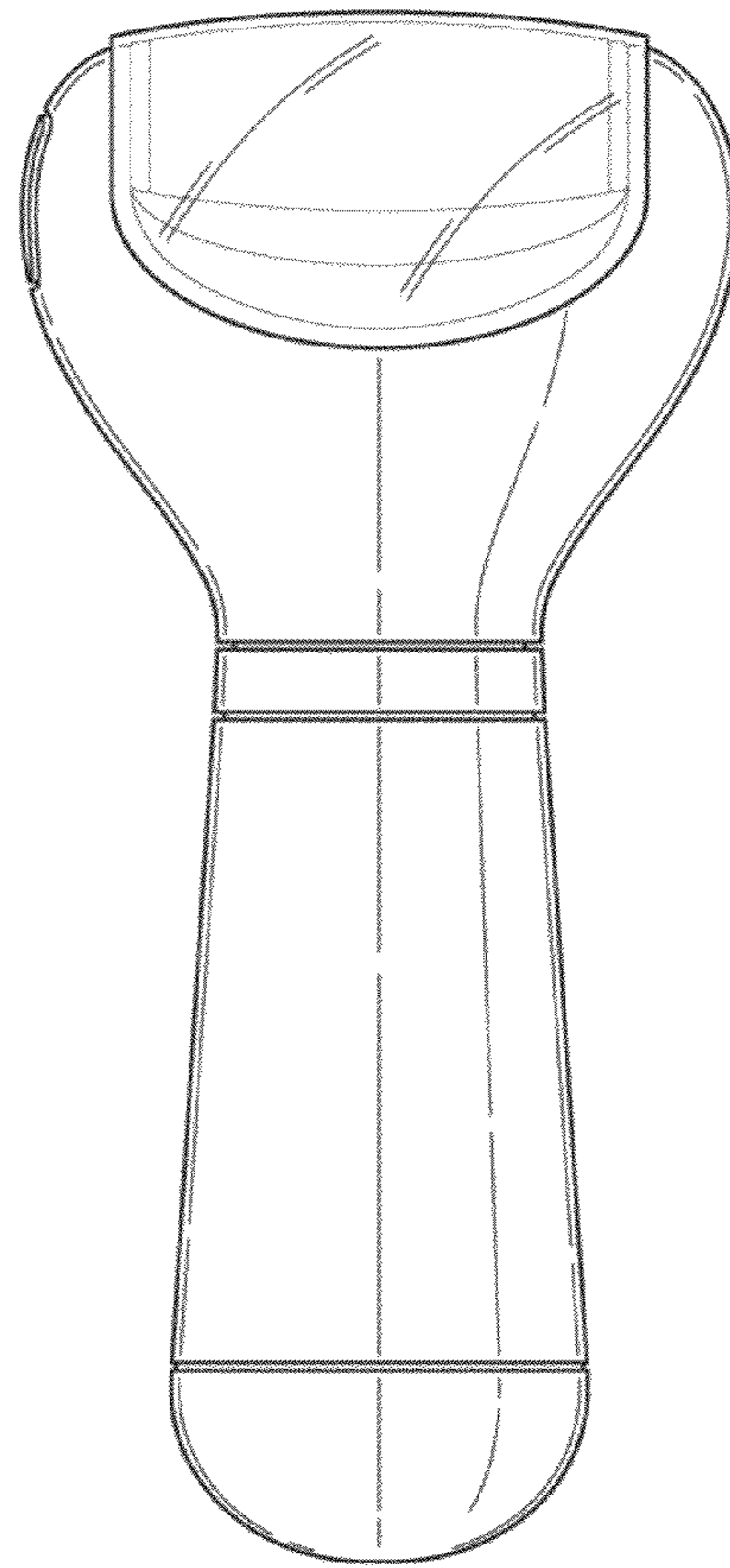


Fig. 3

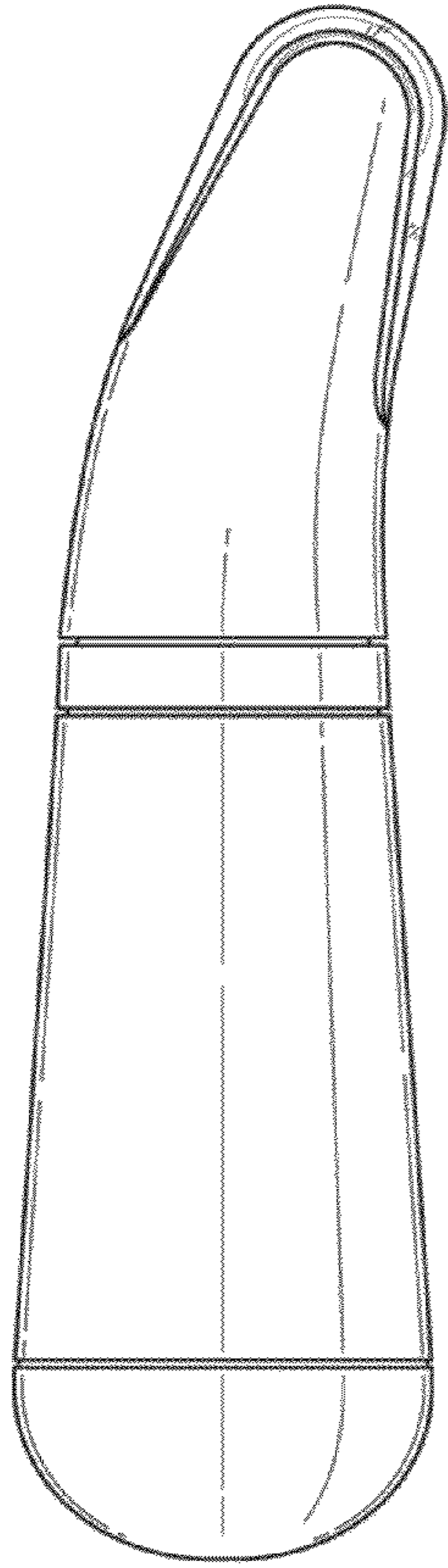


Fig. 4

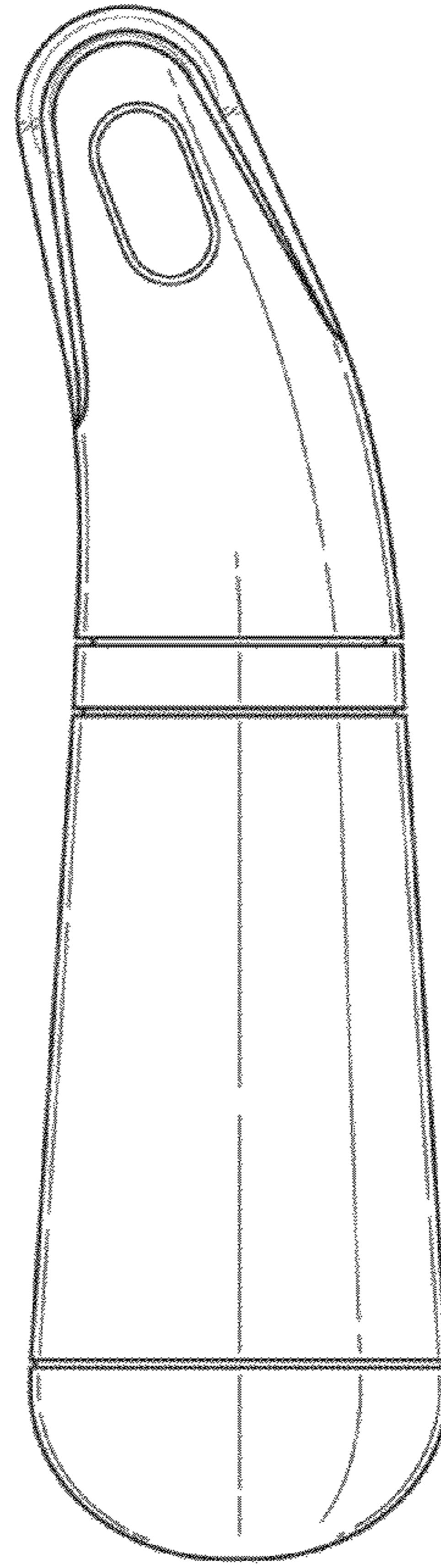


Fig. 5

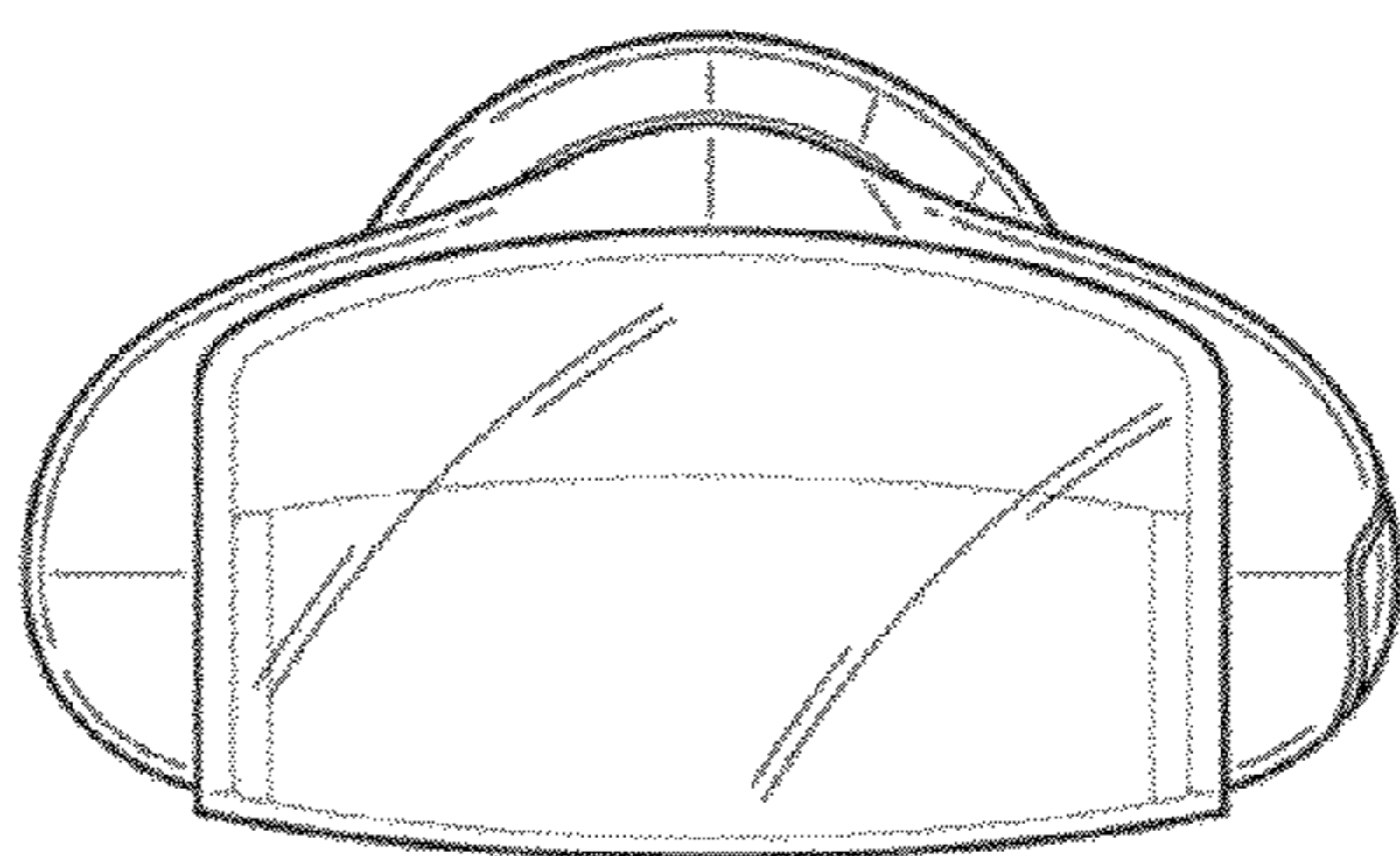


Fig. 6

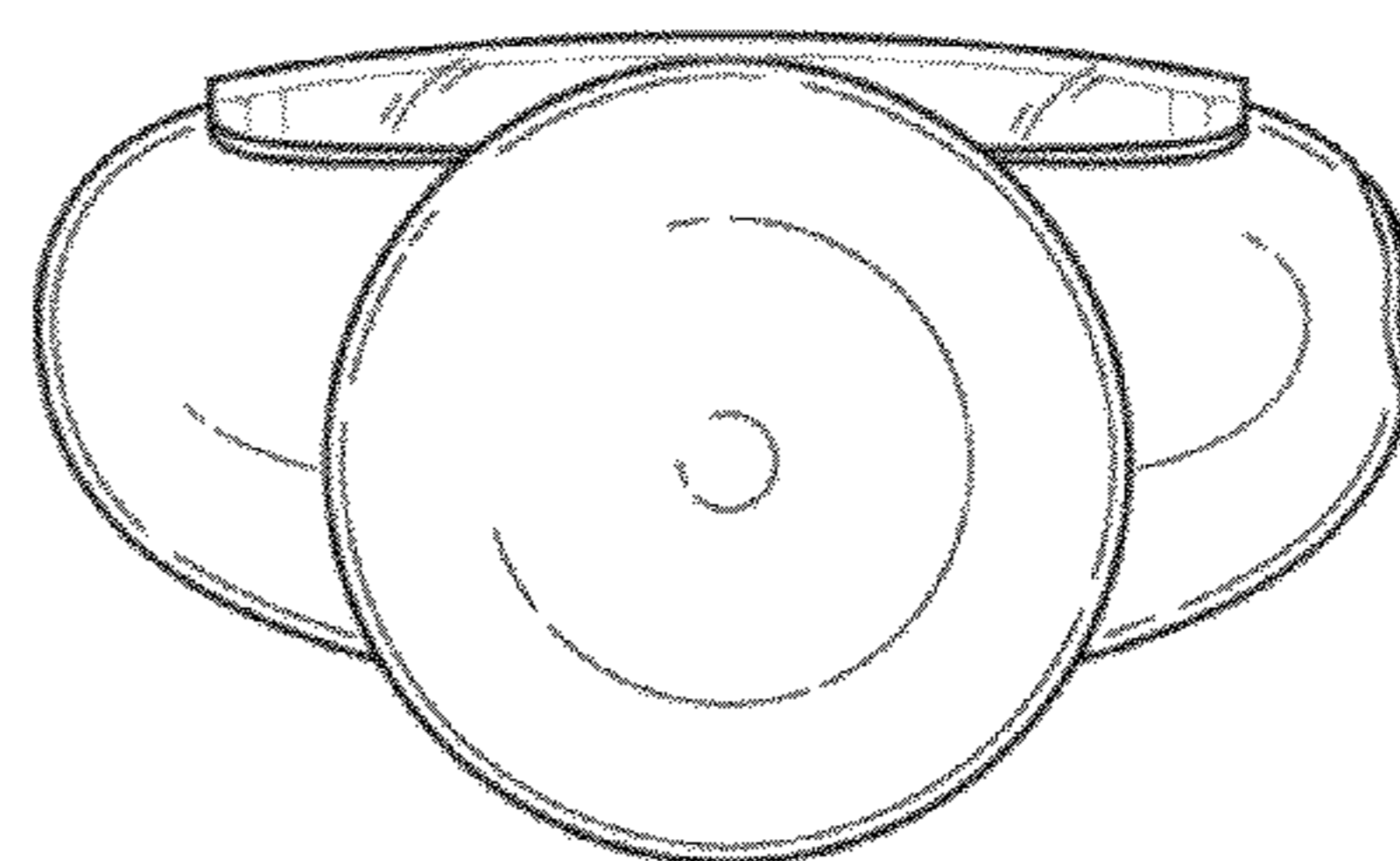


Fig. 7