

US00D706977S

(12) **United States Design Patent**
Langley et al.

(10) **Patent No.:** **US D706,977 S**
(45) **Date of Patent:** **** Jun. 10, 2014**

(54) **APPLICATOR COMB**

(71) Applicant: **Tec Laboratories, Inc.**, Albany, OR (US)

(72) Inventors: **Wendy Sue Langley**, Albany, OR (US);
Vernon Wade Smith, Albany, OR (US);
Steven L. Ness, Lebanon, OR (US)

(73) Assignee: **Tec Laboratories, Inc.**, Albany, OR (US)

(**) Term: **14 Years**

(21) Appl. No.: **29/468,328**

(22) Filed: **Sep. 27, 2013**

(51) **LOC (10) Cl.** **28-02**

(52) **U.S. Cl.**
USPC **D28/7**

(58) **Field of Classification Search**
USPC D28/7, 8, 20-22, 30-31, 76, 85, 99;
132/108, 202, 208, 317.32;
401/202-207, 261-267; D4/132-135;
D24/119
See application file for complete search history.

(56) **References Cited**

U.S. PATENT DOCUMENTS

D266,537 S *	10/1982	Kahn	D28/7
4,516,591 A	5/1985	Hierholzer		
D353,019 S	11/1994	Kimmell et al.		
5,482,058 A	1/1996	Garconnet		
5,555,899 A	9/1996	Foreman		

D387,484 S	12/1997	Hong		
D399,602 S	10/1998	Ratnam		
D401,380 S	11/1998	Steen et al.		
D428,525 S *	7/2000	Gazzo	D28/7
6,260,557 B1	7/2001	Yarbrough		
D450,884 S *	11/2001	Yoshida	D28/20
D451,245 S	11/2001	Harrell		
D469,575 S	1/2003	Grace		
D531,753 S *	11/2006	Davis et al.	D28/20
D547,004 S *	7/2007	Davis et al.	D28/20
7,261,108 B2	8/2007	Dallianis et al.		
D554,799 S *	11/2007	Sheppard et al.	D28/7
7,647,933 B2 *	1/2010	Morgenstern et al.	132/114
D611,195 S *	3/2010	Gieux	D28/7
8,316,863 B2 *	11/2012	De Laforcade et al.	132/113

* cited by examiner

Primary Examiner — Zenia Bennett

(74) *Attorney, Agent, or Firm* — David S. Alavi

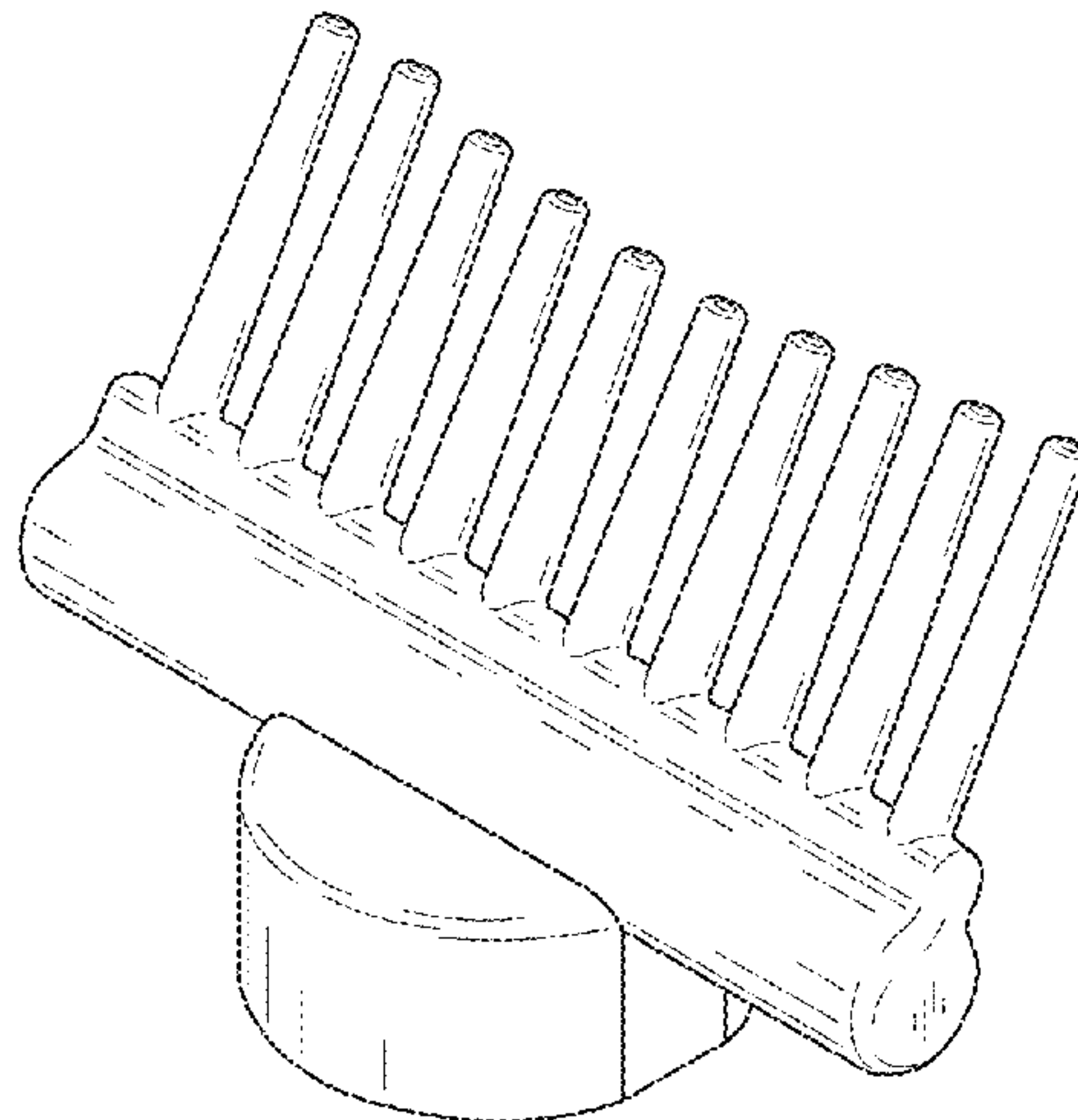
(57) **CLAIM**

The ornamental design for an applicator comb, as shown.

DESCRIPTION

FIG. 1 is a perspective view of an applicator comb.
FIG. 2 is a front view of the applicator comb.
FIG. 3 is a back view of the applicator comb.
FIG. 4 is a left side view of the applicator comb; the right side view is a mirror image of the left side view and is not shown.
FIG. 5 is a bottom view of the applicator comb.
FIG. 6 is a top view of the applicator comb; and,
FIG. 7 is a rear view of the applicator comb attached to a squeeze tube; the broken lines in the drawings are for illustrative purposes only and does not form part of the claimed.

1 Claim, 3 Drawing Sheets



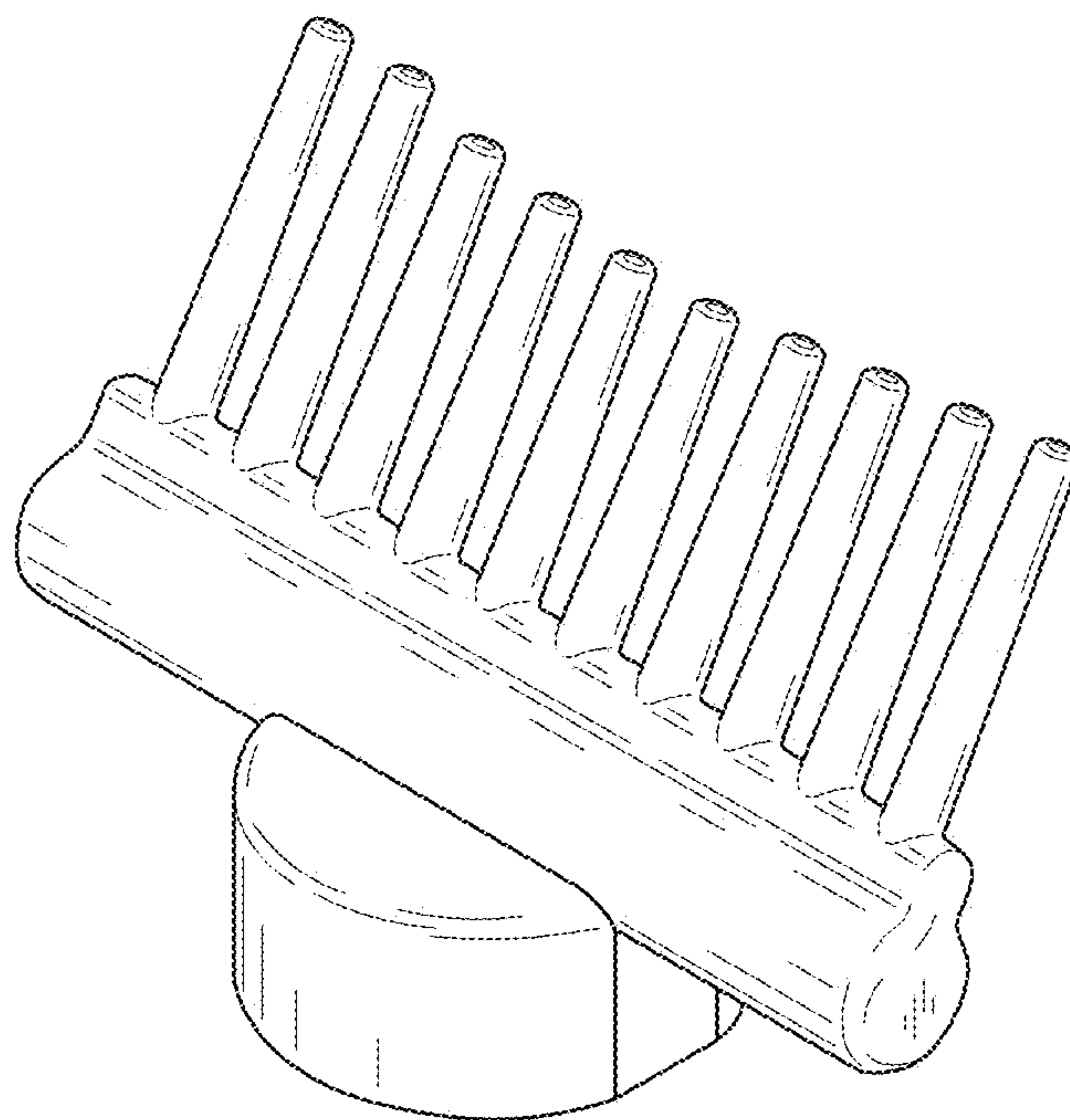


FIG. 1

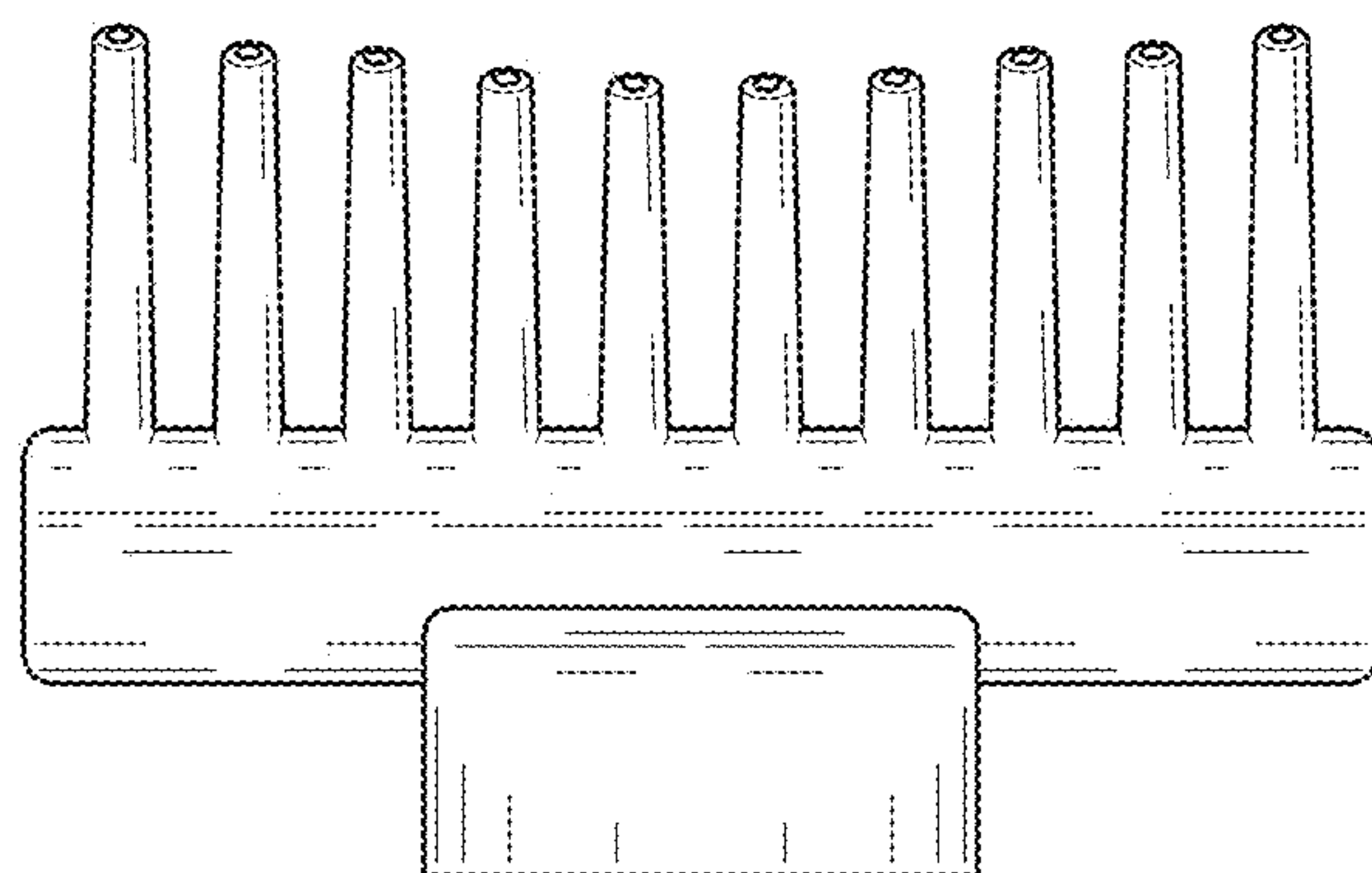


FIG. 2

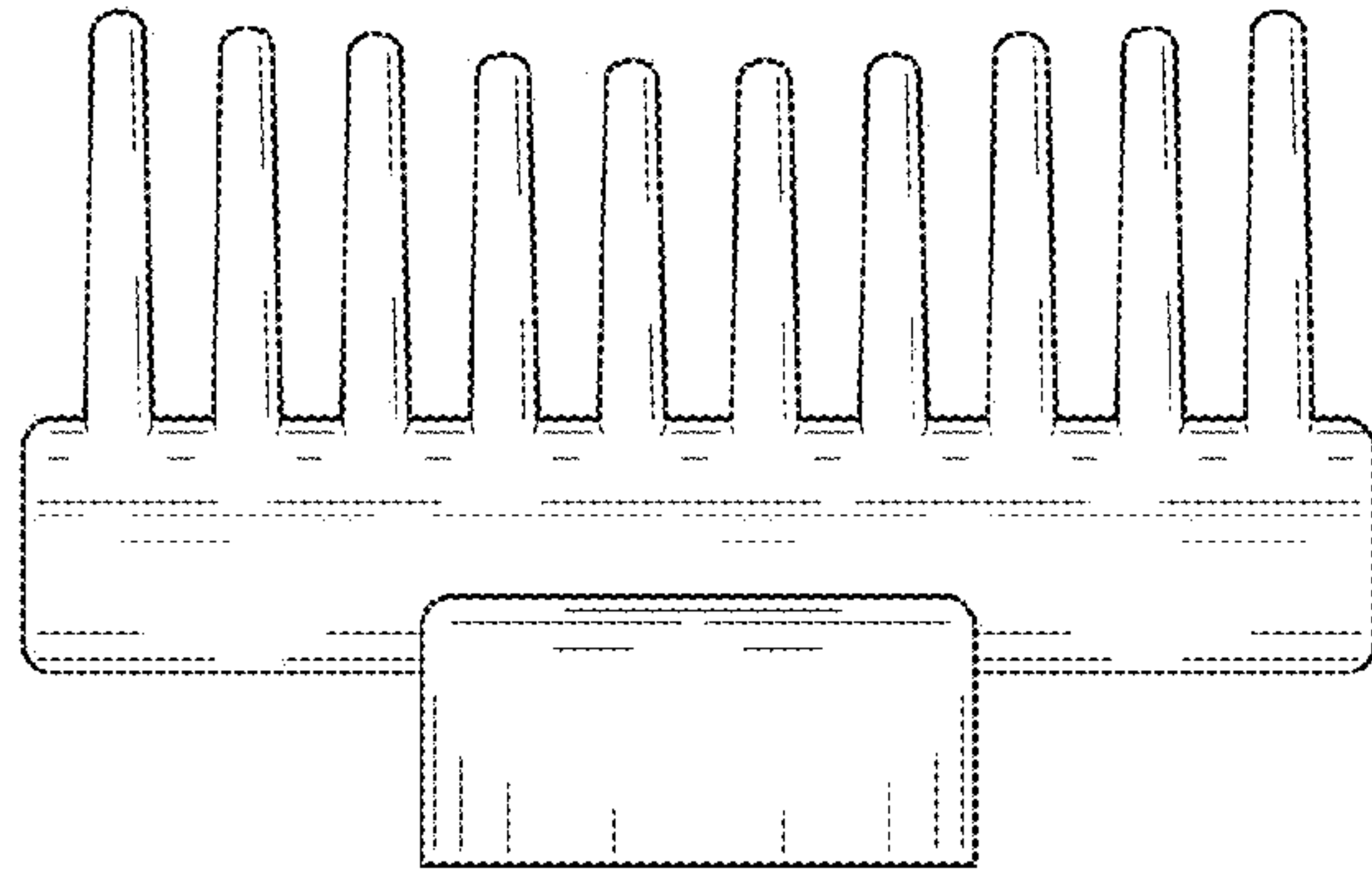


FIG. 3

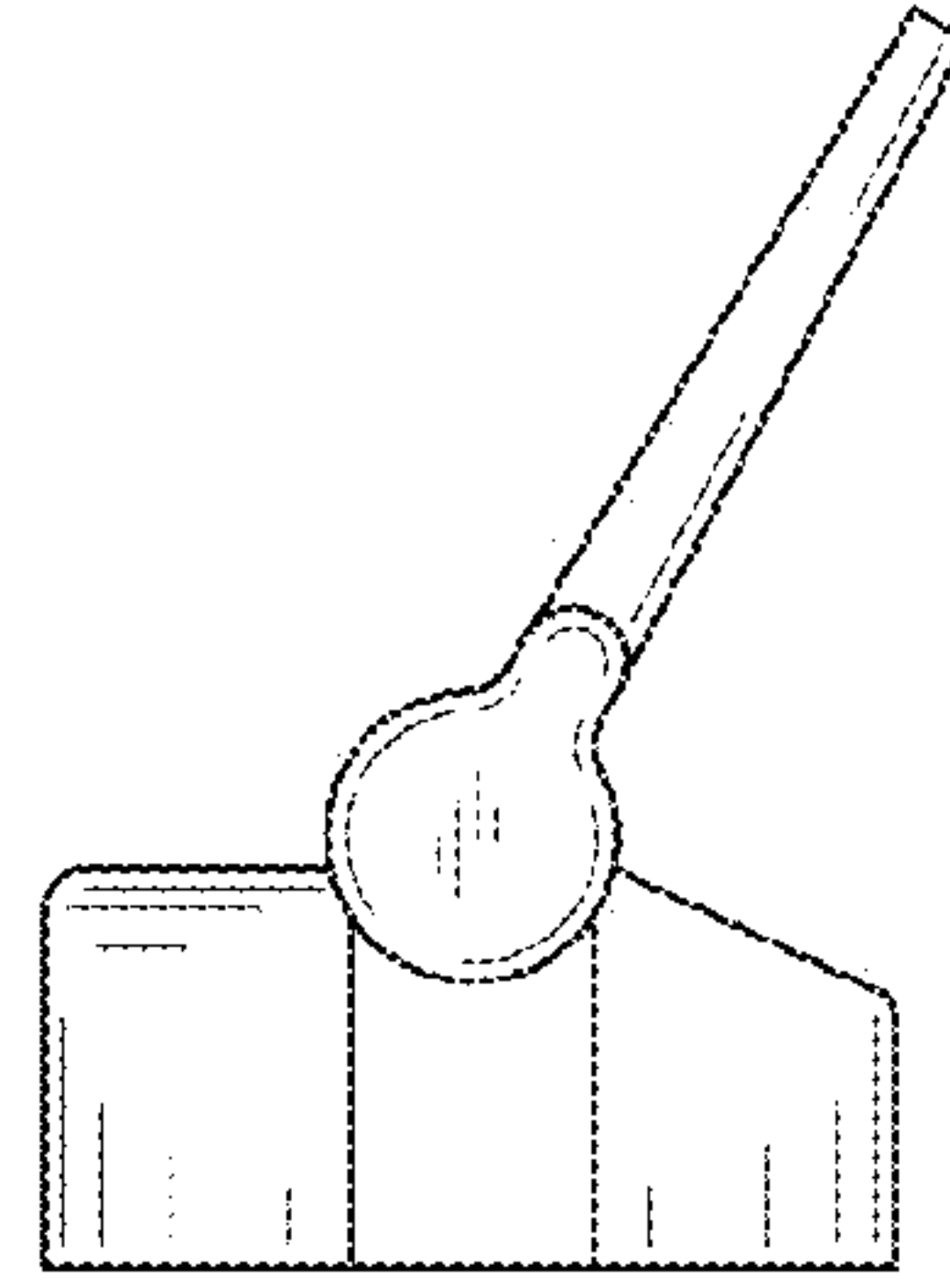


FIG. 4

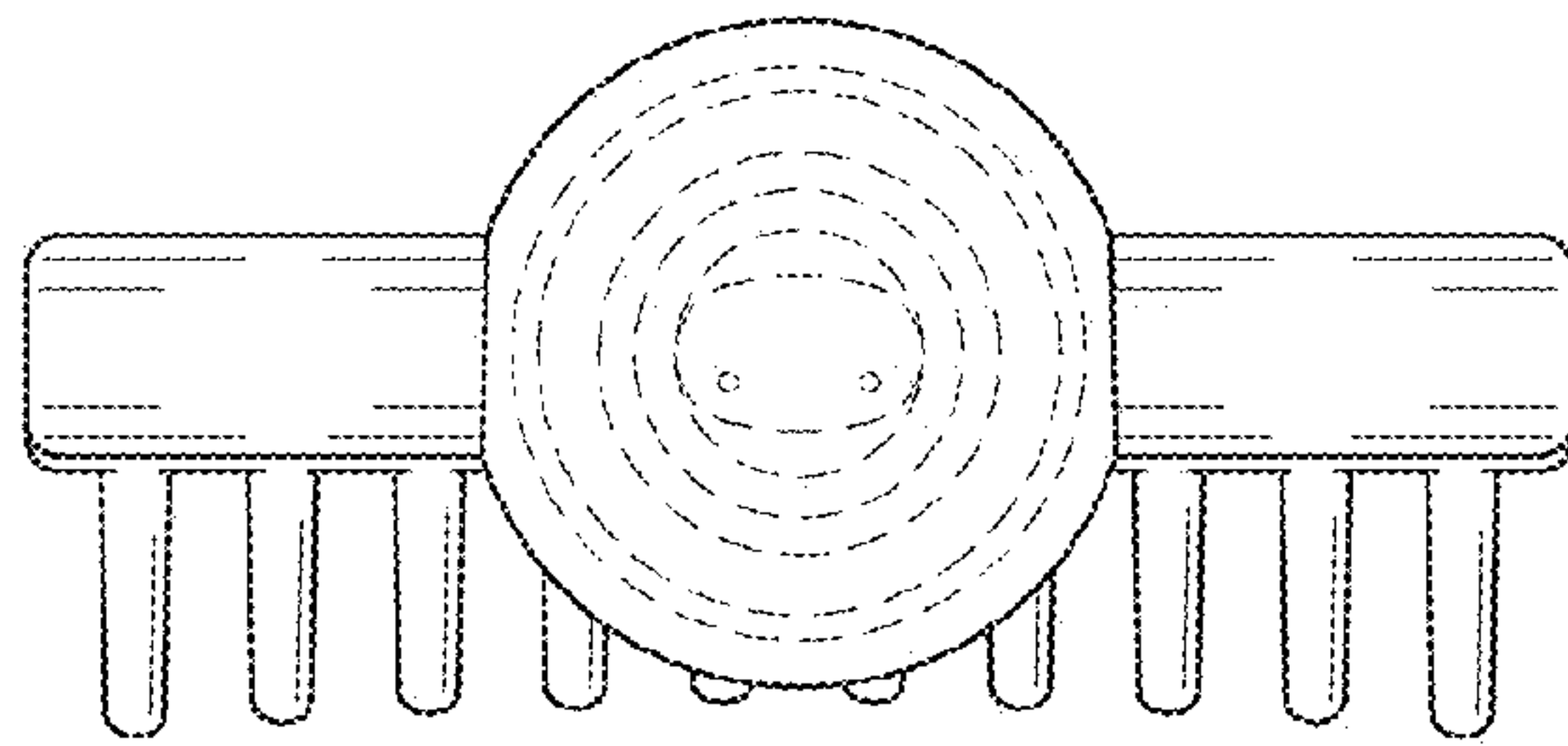


FIG. 5

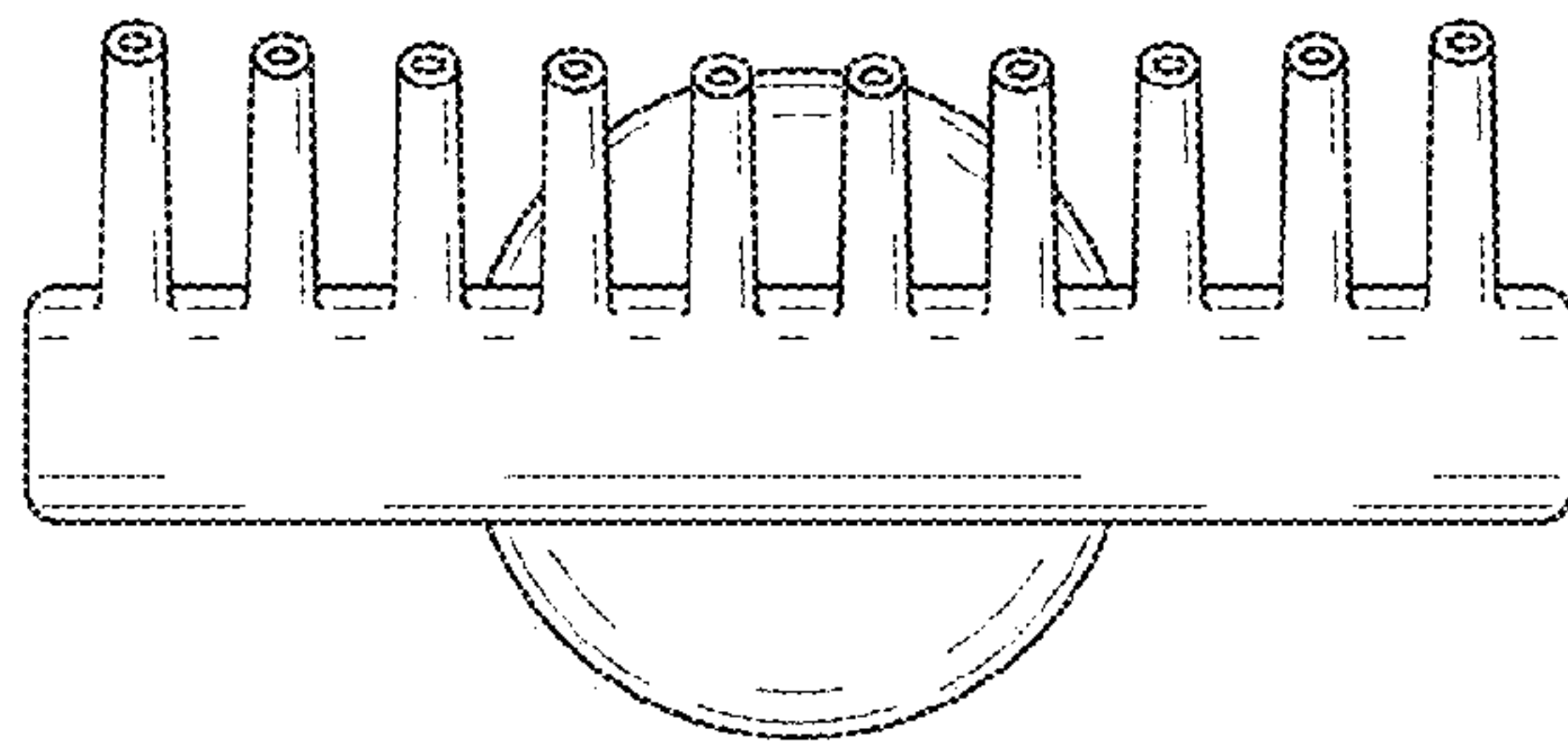


FIG. 6

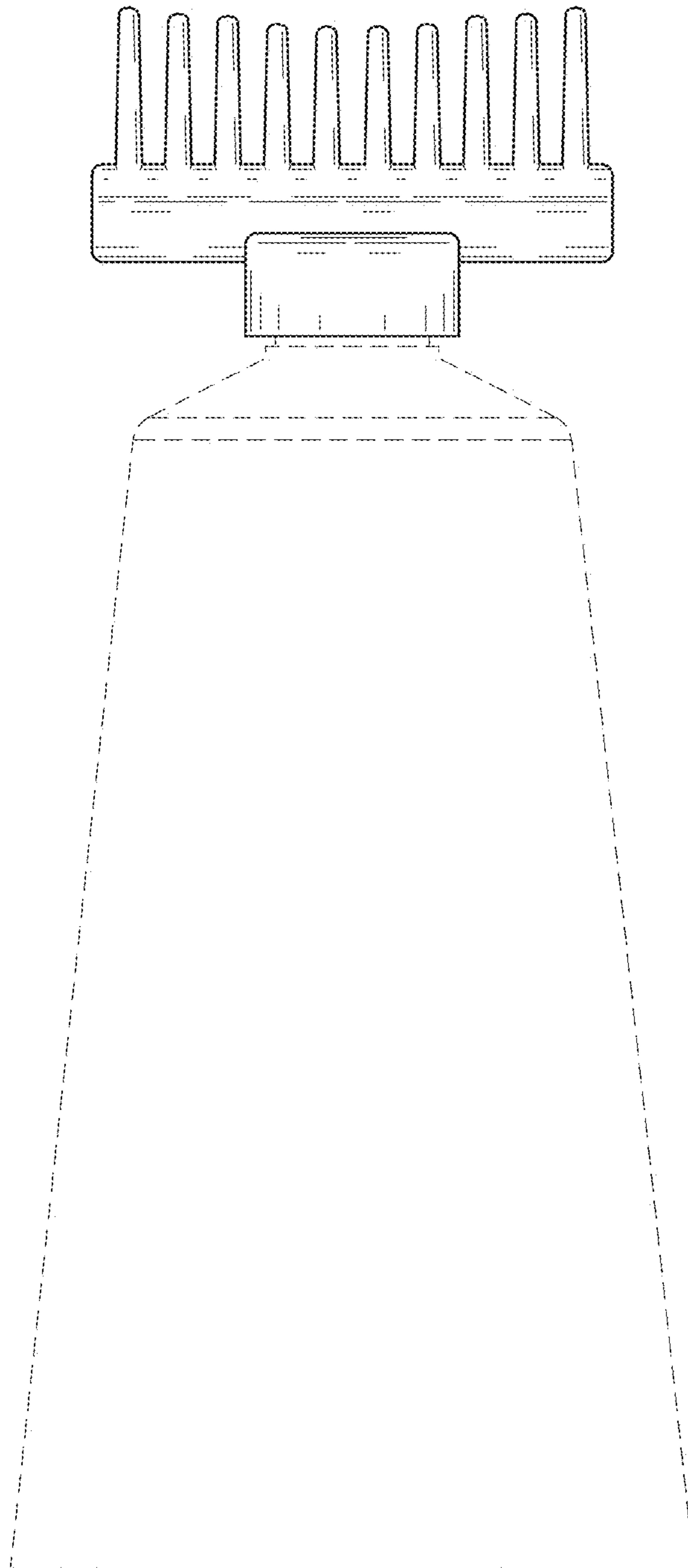


FIG. 7