



US00D706974S

(12) **United States Design Patent**
Nikayin et al.

(10) **Patent No.:** **US D706,974 S**
(45) **Date of Patent:** **** Jun. 10, 2014**

- (54) **EASY ACCESS LIGHTING BOX**
- (71) Applicants: **Saeed Nikayin**, Los Angeles, CA (US);
Kai Zhang, Los Angeles, CA (US);
Gilbert Loera, Los Angeles, CA (US)
- (72) Inventors: **Saeed Nikayin**, Los Angeles, CA (US);
Kai Zhang, Los Angeles, CA (US);
Gilbert Loera, Los Angeles, CA (US)

(**) Term: **14 Years**

(21) Appl. No.: **29/455,970**

(22) Filed: **May 28, 2013**

(51) **LOC (10) Cl.** **26-99**

(52) **U.S. Cl.**
USPC **D26/138**

(58) **Field of Classification Search**
CPC H02G 3/08; H02G 3/081; H02G 3/086;
H02G 3/16; H02G 5/08; H02G 15/06; H02G
15/10; H02G 15/16
USPC D26/24, 94, 113, 118, 119, 120, 121,
D26/122, 128, 138, 139, 140, 141, 142;
D8/14, 16, 19, 44, 71, 301, 307, 216,
D8/321, 325, 343, 344, 346, 353, 373, 381,
D8/499; D9/414, 471, 423, 432, 573, 734,
D9/750, 766, 770, 501; 362/20, 23.01, 85,
362/147, 148, 149, 150, 154, 228, 255, 257,
362/258, 576, 581, 583, 615, 619, 620, 626,
362/630, 631, 632, 633, 634; 174/50, 59
See application file for complete search history.

(56) **References Cited**

U.S. PATENT DOCUMENTS

1,264,450	A	4/1918	Sweet	
D243,035	S *	1/1977	Kohlenstein	D26/24
4,051,322	A	9/1977	Park	
5,936,200	A	8/1999	Park	
6,232,553	B1	5/2001	Regen	
D507,539	S	7/2005	Hull	
7,070,294	B2 *	7/2006	Patti	362/153

D536,463	S *	2/2007	Chiang	D26/24
D549,589	S *	8/2007	Lavigne	D9/573
D554,795	S *	11/2007	Beeson	D26/94
D574,090	S *	7/2008	Takada et al.	D26/1
D579,417	S	10/2008	Stuckmann et al.	
7,582,829	B2	9/2009	Yan	
7,645,936	B2	1/2010	Magno, Jr.	
D631,364	S *	1/2011	Da Vinci et al.	D9/573
8,092,048	B2 *	1/2012	Zheng	362/147
D654,211	S *	2/2012	Melzner et al.	D26/118
D676,814	S	2/2013	Paul	
8,388,166	B2 *	3/2013	Rooms et al.	362/147
2007/0044985	A1 *	3/2007	Tideback	174/50
2009/0250573	A1 *	10/2009	Nuernberger et al.	248/205.1

* cited by examiner

Primary Examiner — Deanna L Pratt

Assistant Examiner — Natasha Vujcic

(74) *Attorney, Agent, or Firm* — Kirk A. Buhler; Buhler & Associates

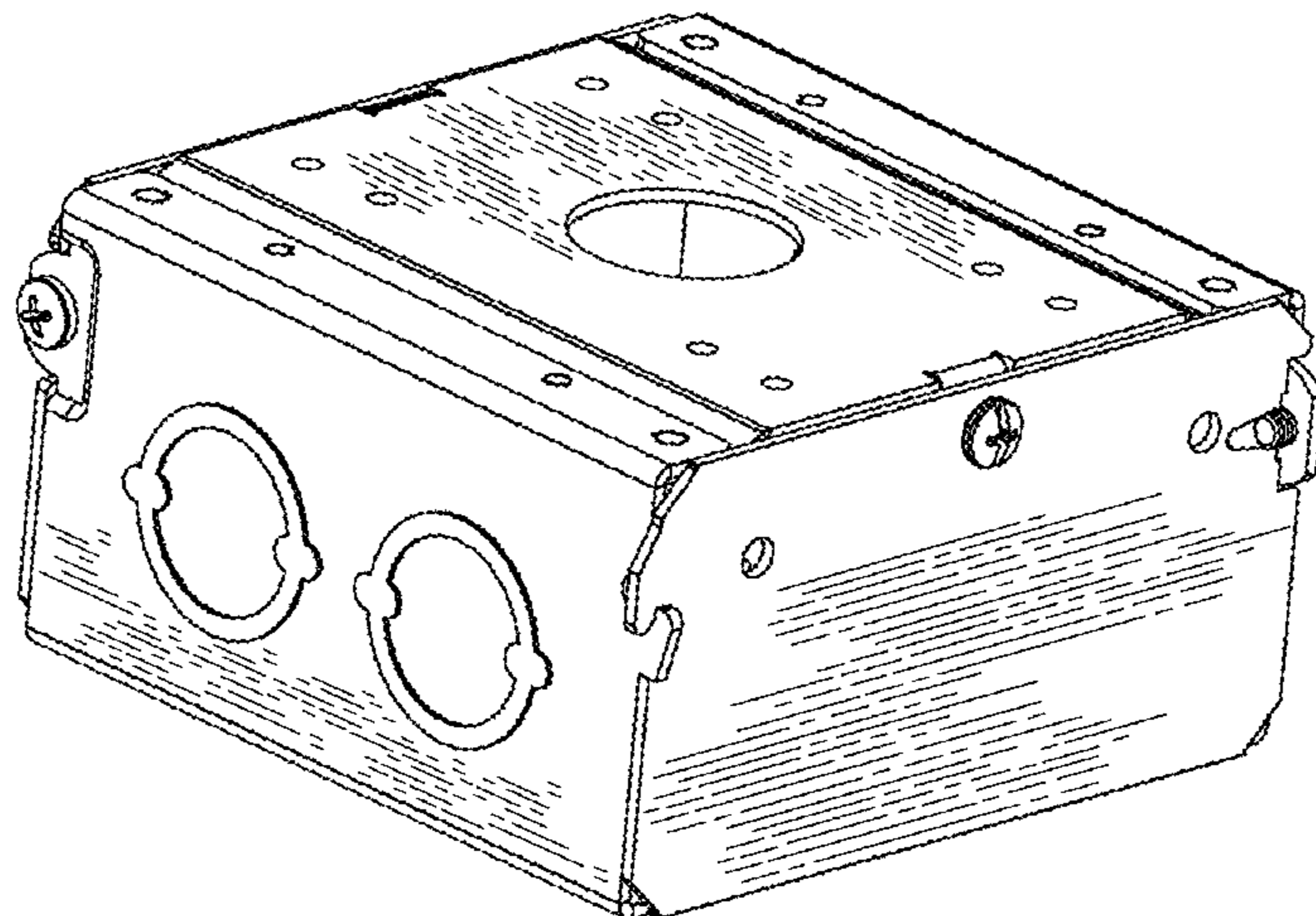
(57) **CLAIM**

The ornamental design for an easy access lighting box, as shown and described.

DESCRIPTION

FIG. 1 is a top perspective view for an easy access lighting box showing my new design;
FIG. 2 is a front side view thereof;
FIG. 3 is a left side view thereof;
FIG. 4 is a bottom side view thereof;
FIG. 5 is a rear side view thereof;
FIG. 6 is a right side view thereof;
FIG. 7 is a top side view thereof;
FIG. 8 is a bottom perspective view thereof;
FIG. 9 is a front sectional view taken along lines 9-9 from FIG. 3 thereof; and,
FIG. 10 is a perspective view shown in an environment of use. The broken lines in FIG. 10 depict environmental subject matter of a swivel-type cover plate for the invention and form no part of the claimed design.

1 Claim, 7 Drawing Sheets



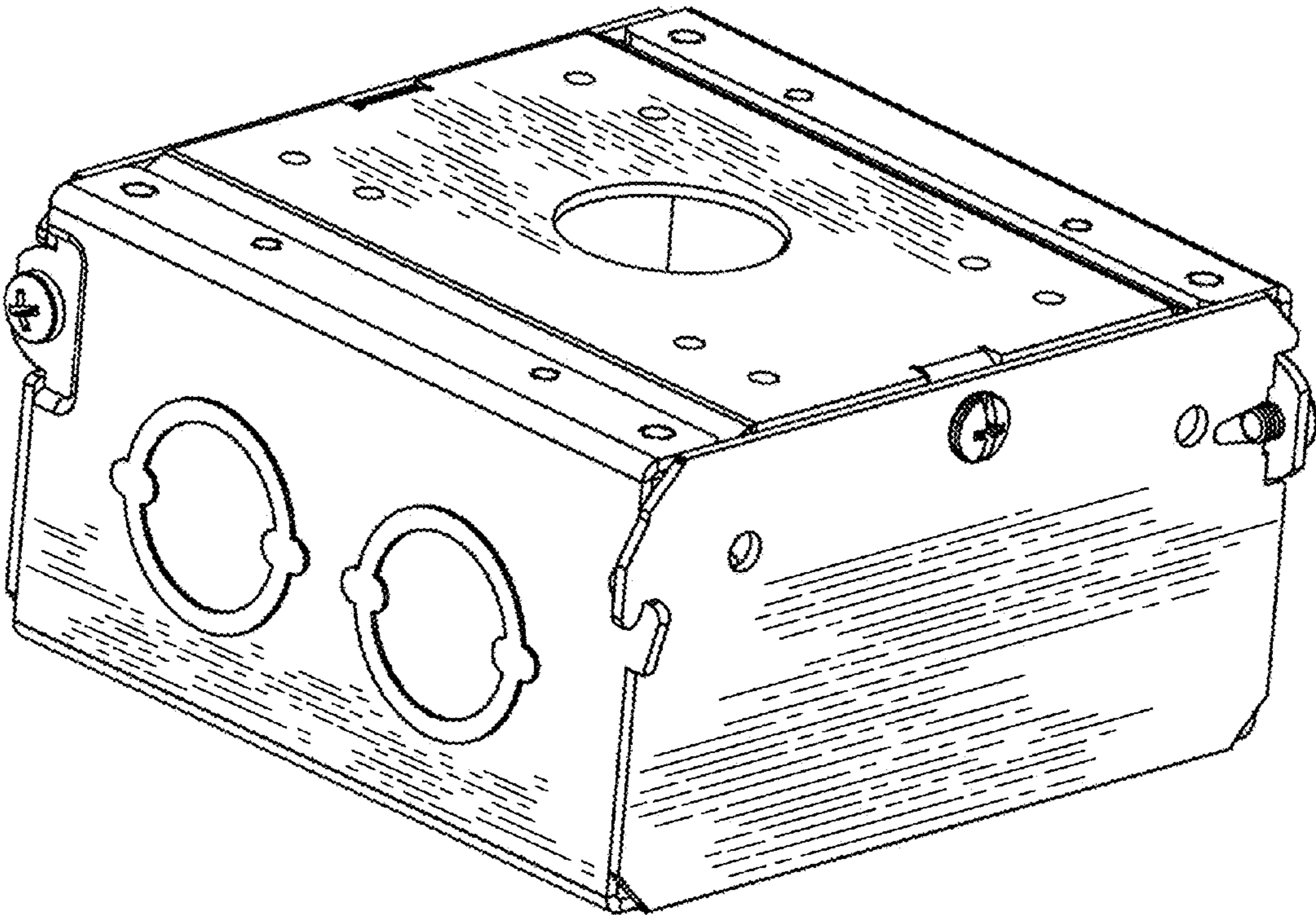


FIG. 1

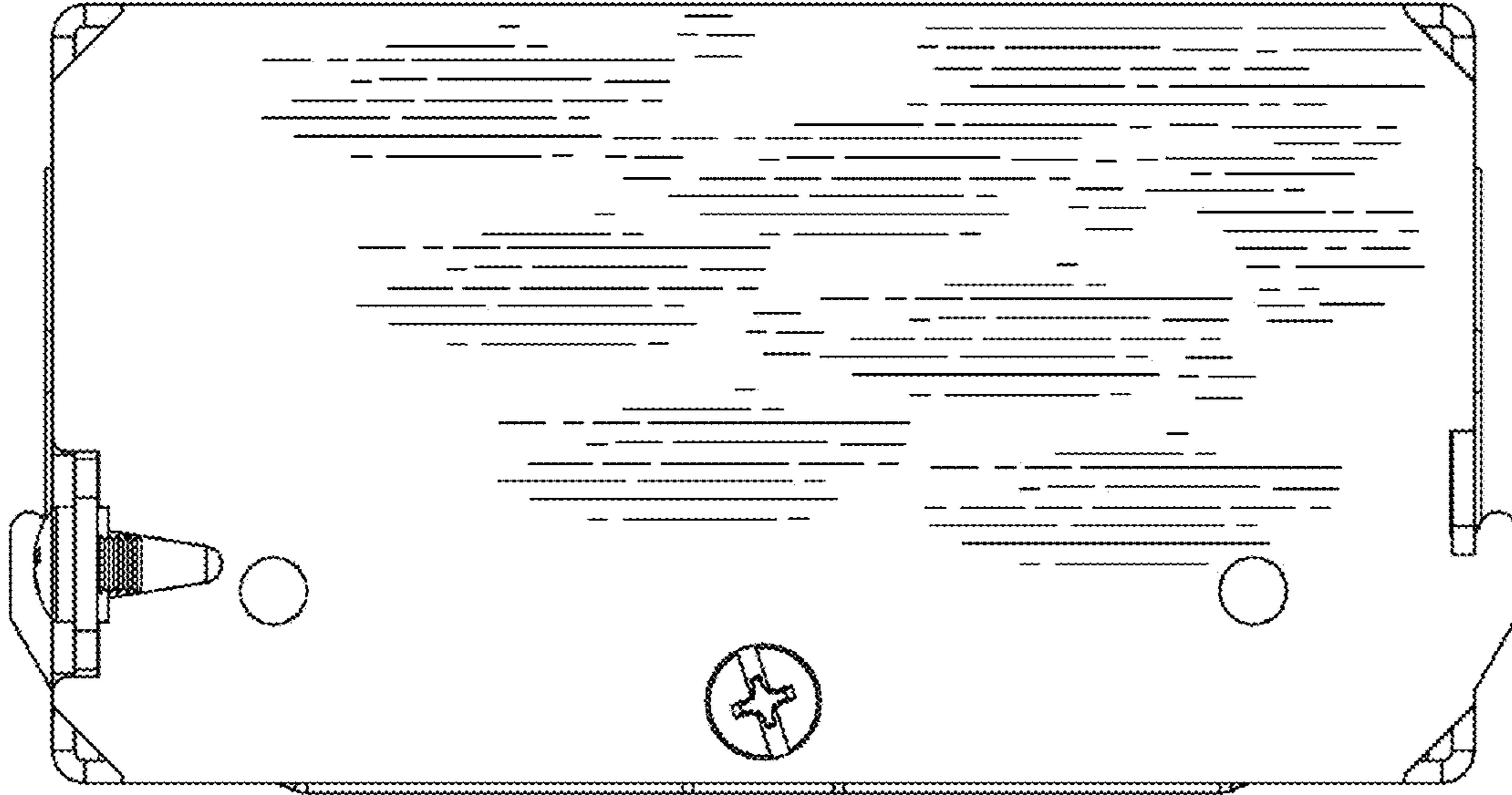


FIG. 2

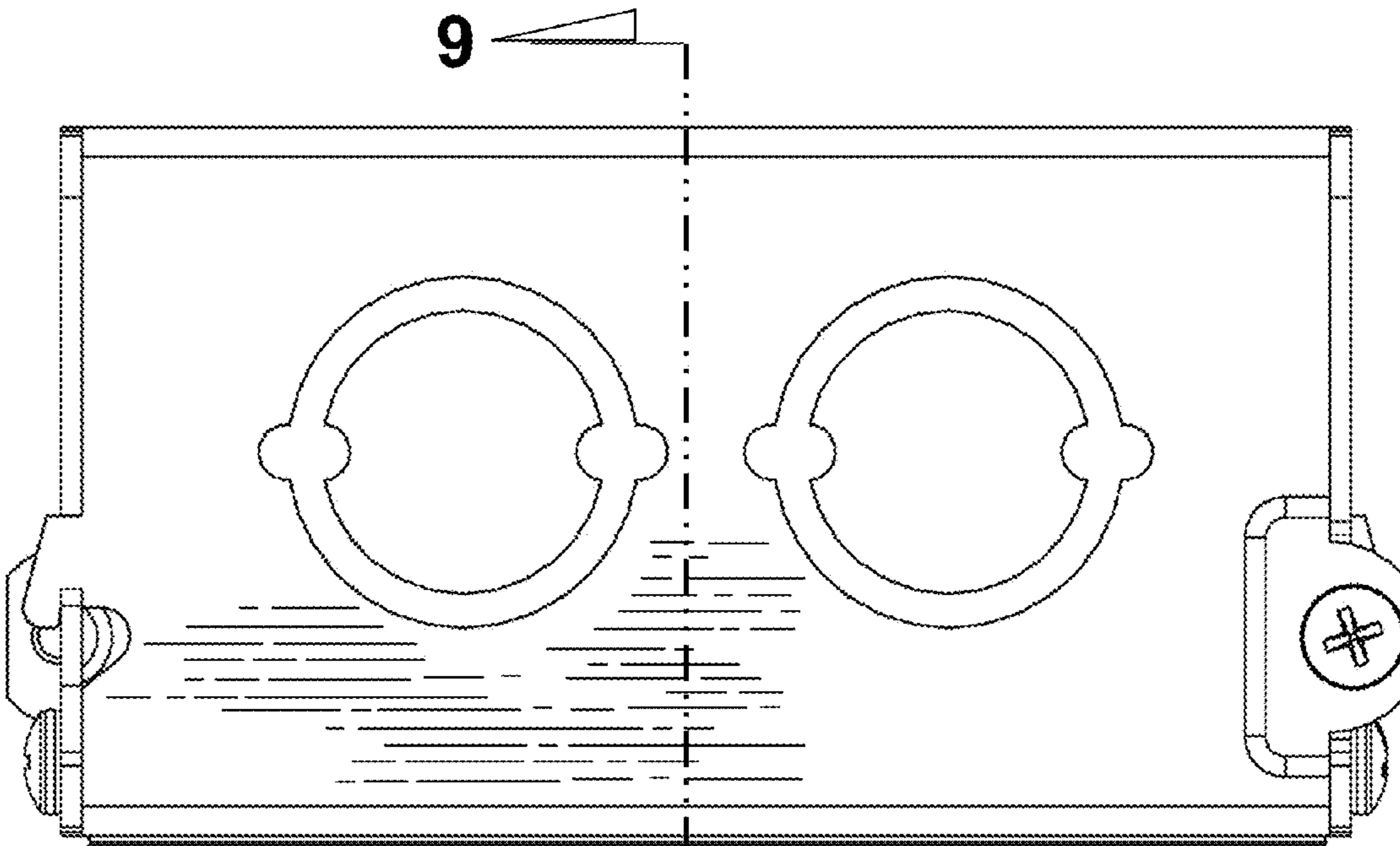


FIG. 3

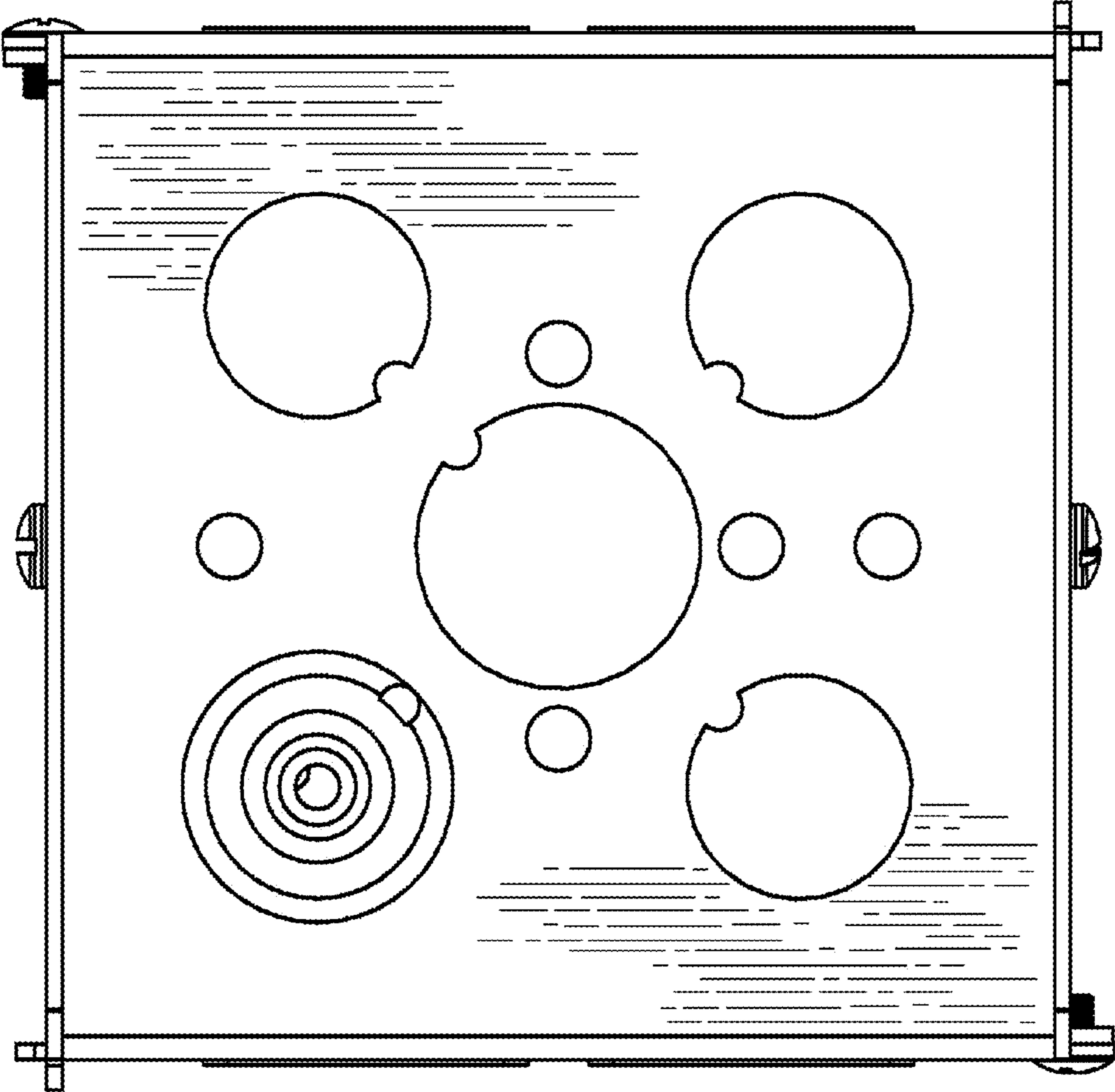


FIG. 4



FIG. 5

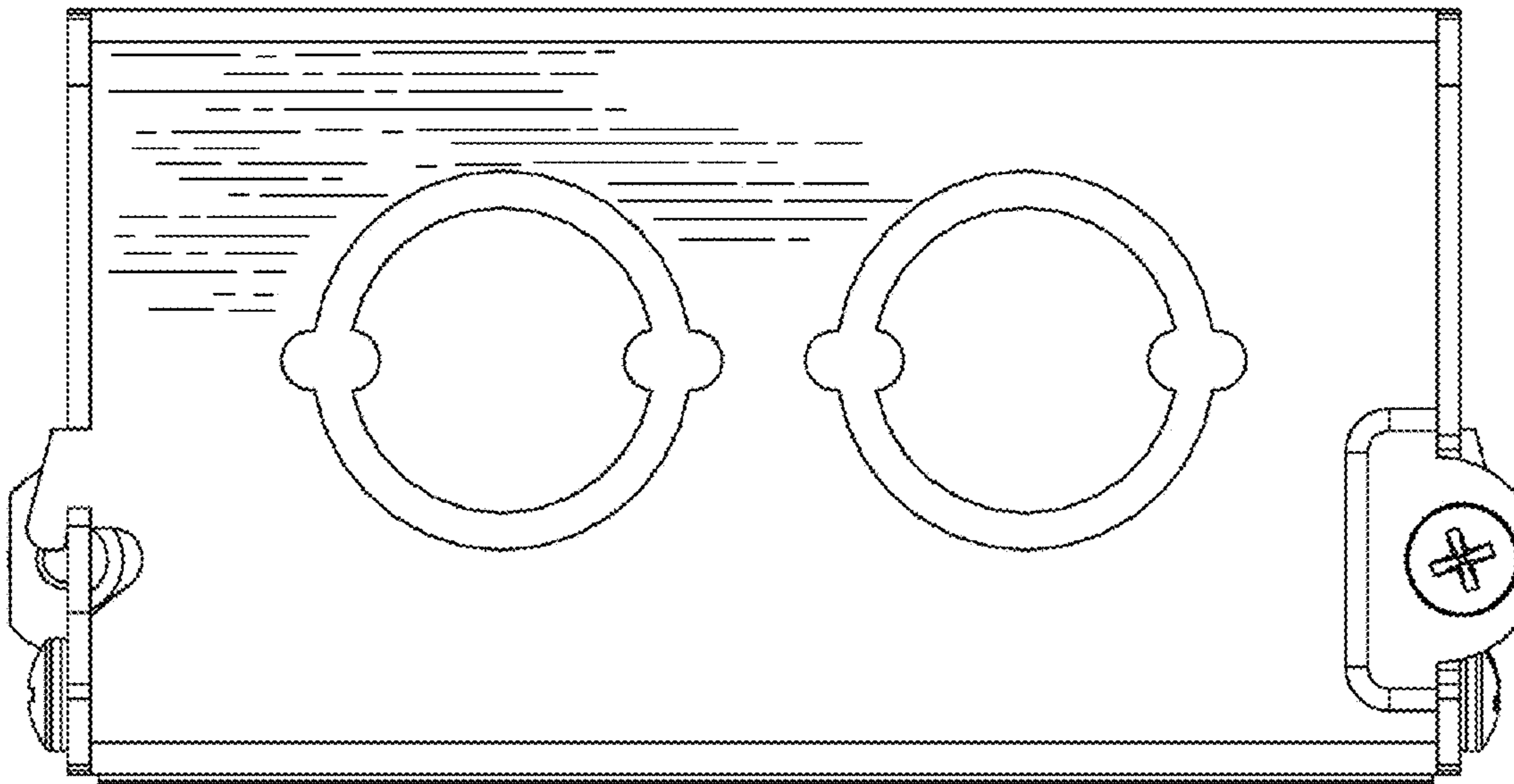


FIG. 6

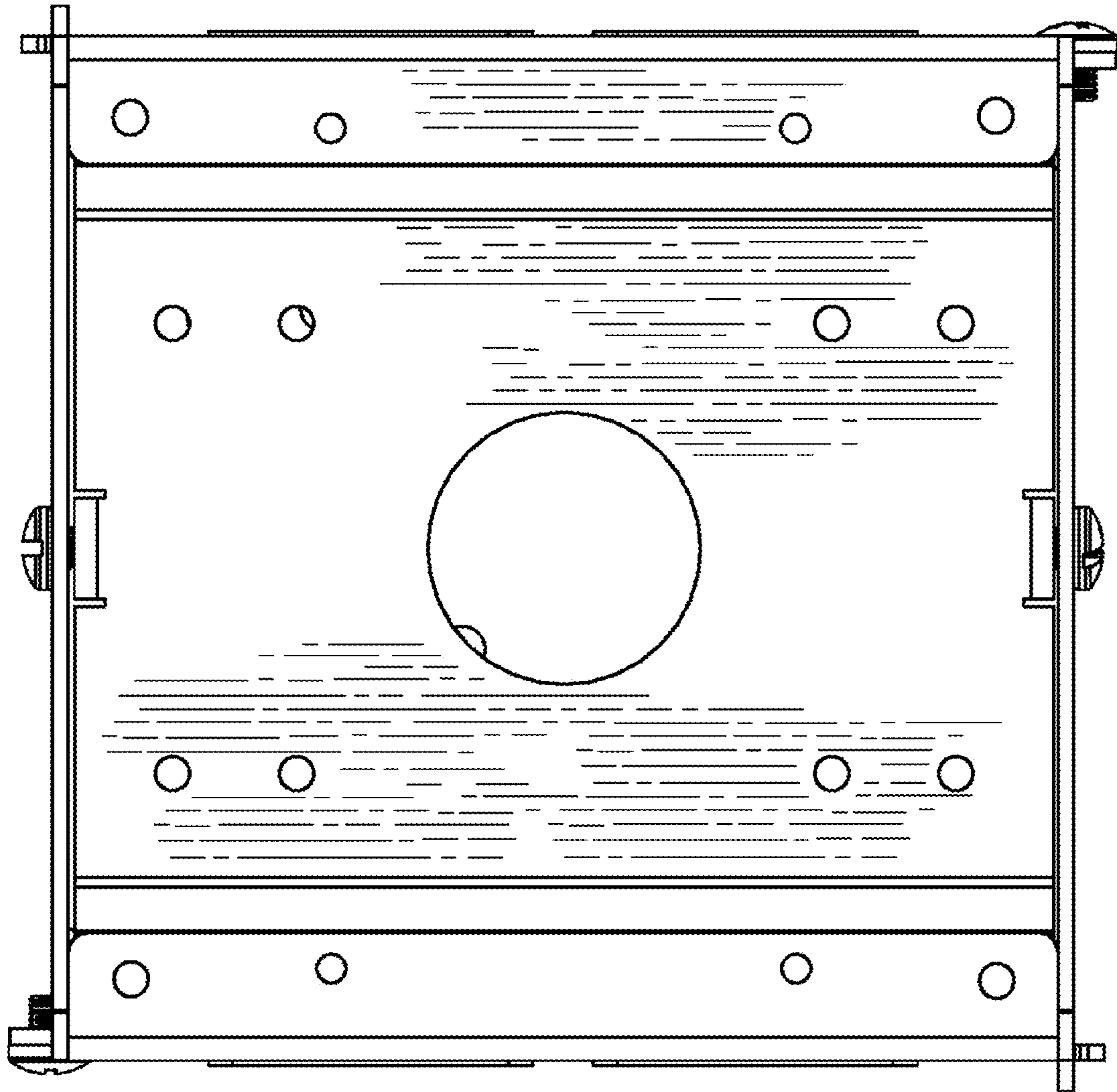
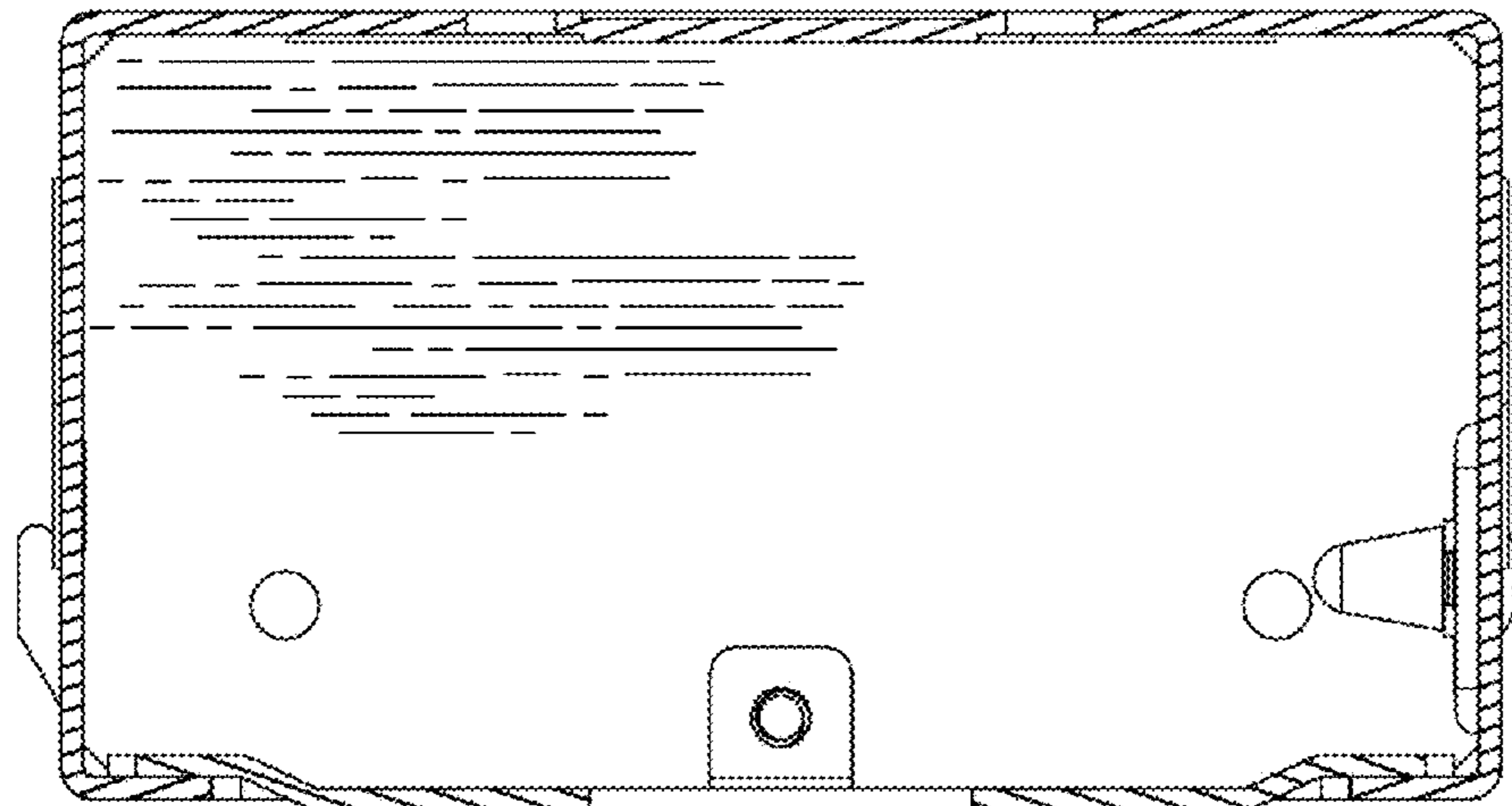
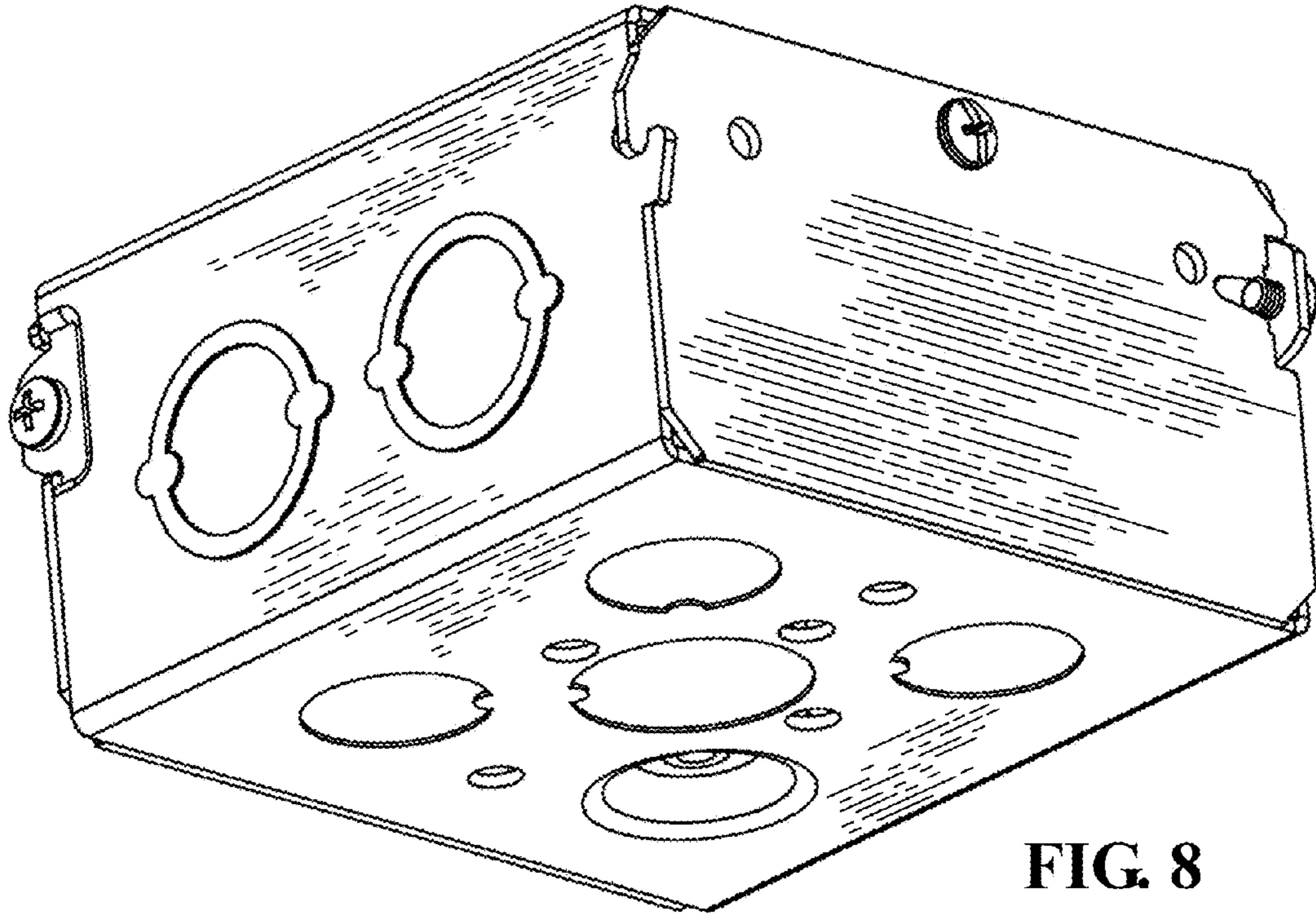


FIG. 7



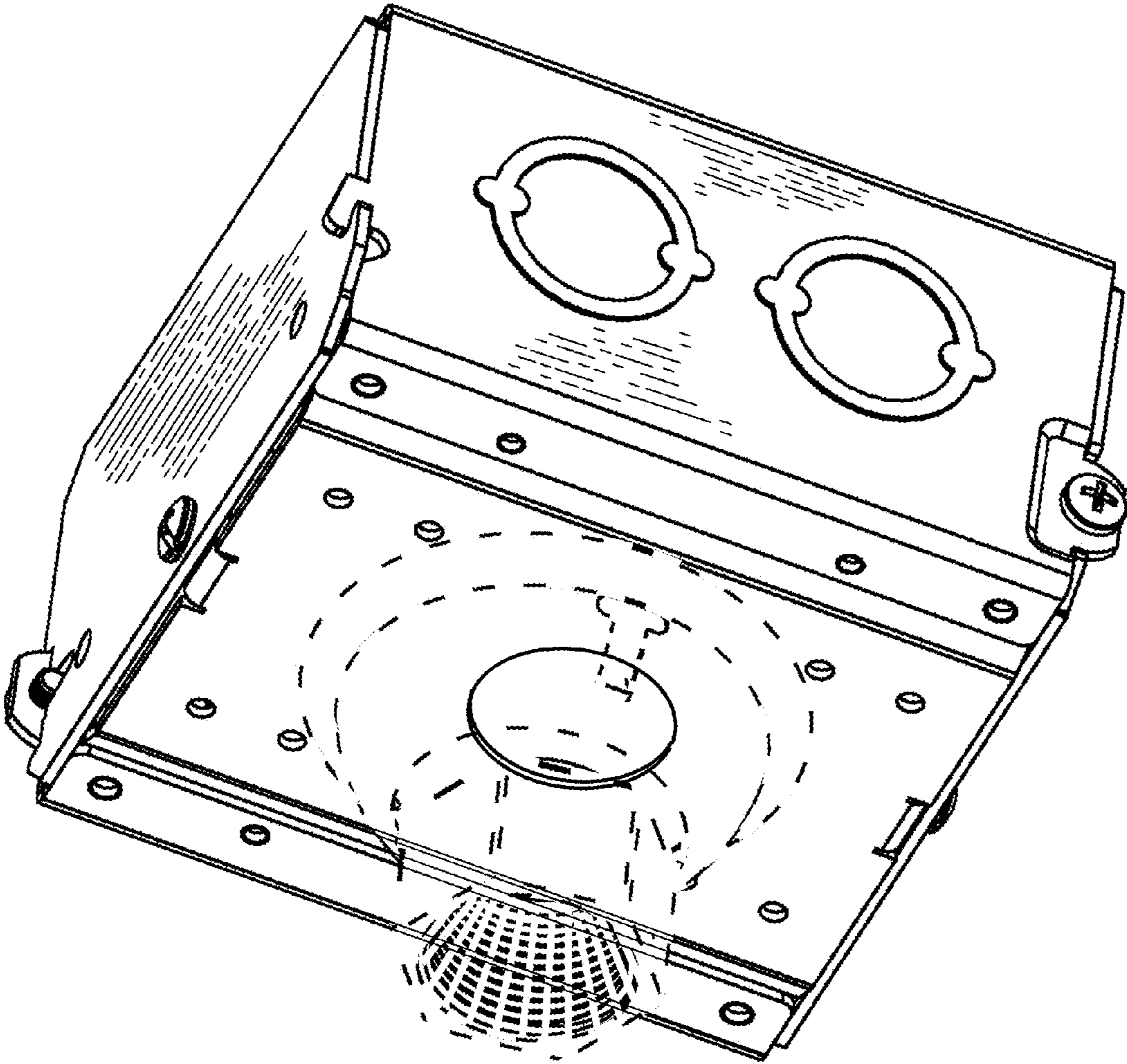


FIG. 10