



US00D706973S

(12) **United States Design Patent**
Shih et al.

(10) **Patent No.:** **US D706,973 S**
(45) **Date of Patent:** **** Jun. 10, 2014**

(54) **LIGHTING FIXTURE**

(71) Applicant: **All Real Technology Co., Ltd.**,
Kaohsiung (TW)

(72) Inventors: **Chuan-Feng Shih**, Kaohsiung (TW);
Sheng-Wen Fu, Kaohsiung (TW);
Hsuan-Ta Wu, Kaohsiung (TW);
Chih-Ming Lai, Kaohsiung (TW)

(73) Assignee: **Jun Zhan Technology Co., Ltd.**, East
Dist., Tainan (TW)

(**) Term: **14 Years**

(21) Appl. No.: **29/460,927**

(22) Filed: **Jul. 17, 2013**

(51) **LOC (10) Cl.** **26-99**

(52) **U.S. Cl.**
USPC **D26/113**

(58) **Field of Classification Search**

USPC D26/113, 1, 2, 3, 72, 76, 120, 119, 124,
D26/125, 78, 77, 138, 122, 123, 74, 75, 118,
D26/68, 62, 65, 127, 128, 142, 66, 69, 73,
D26/84, 86, 89, 45, 56, 57, 58, 59, 64, 67,
D26/82, 126, 134, 135, 136, 143, 145, 71,
D26/121, 129, 131, 132, 137, 140, 141, 151,
D26/152, 155, 154; 362/294, 374, 249.02,
362/154, 326; D13/110, 134, 146, 179, 180
See application file for complete search history.

(56) **References Cited**

U.S. PATENT DOCUMENTS

3,566,958 A * 3/1971 Zelina 165/80.3
4,715,438 A * 12/1987 Gabuzda et al. 165/185
4,753,290 A * 6/1988 Gabuzda 165/185
5,597,034 A * 1/1997 Barker et al. 165/80.3
D441,724 S * 5/2001 Chou et al. D13/179

D441,725 S * 5/2001 Chou et al. D13/179
D442,565 S * 5/2001 Chou et al. D13/179
D442,566 S * 5/2001 Chou et al. D13/179
D450,306 S * 11/2001 Lin et al. D13/179
6,330,908 B1 * 12/2001 Lee et al. 165/185
D464,939 S * 10/2002 Chuang et al. D13/179
D490,383 S * 5/2004 Tan et al. D13/179
D500,745 S * 1/2005 Duan et al. D13/179
D509,483 S * 9/2005 Watanabe et al. D13/179
D593,963 S * 6/2009 Plonski et al. D13/179
D603,810 S * 11/2009 Yang et al. D13/179
D613,257 S * 4/2010 Clifton D13/179
8,322,897 B2 * 12/2012 Blincoe et al. 362/373

(Continued)

Primary Examiner — Kevin Rudzinski

(74) *Attorney, Agent, or Firm* — Winston Hsu; Scott Margo

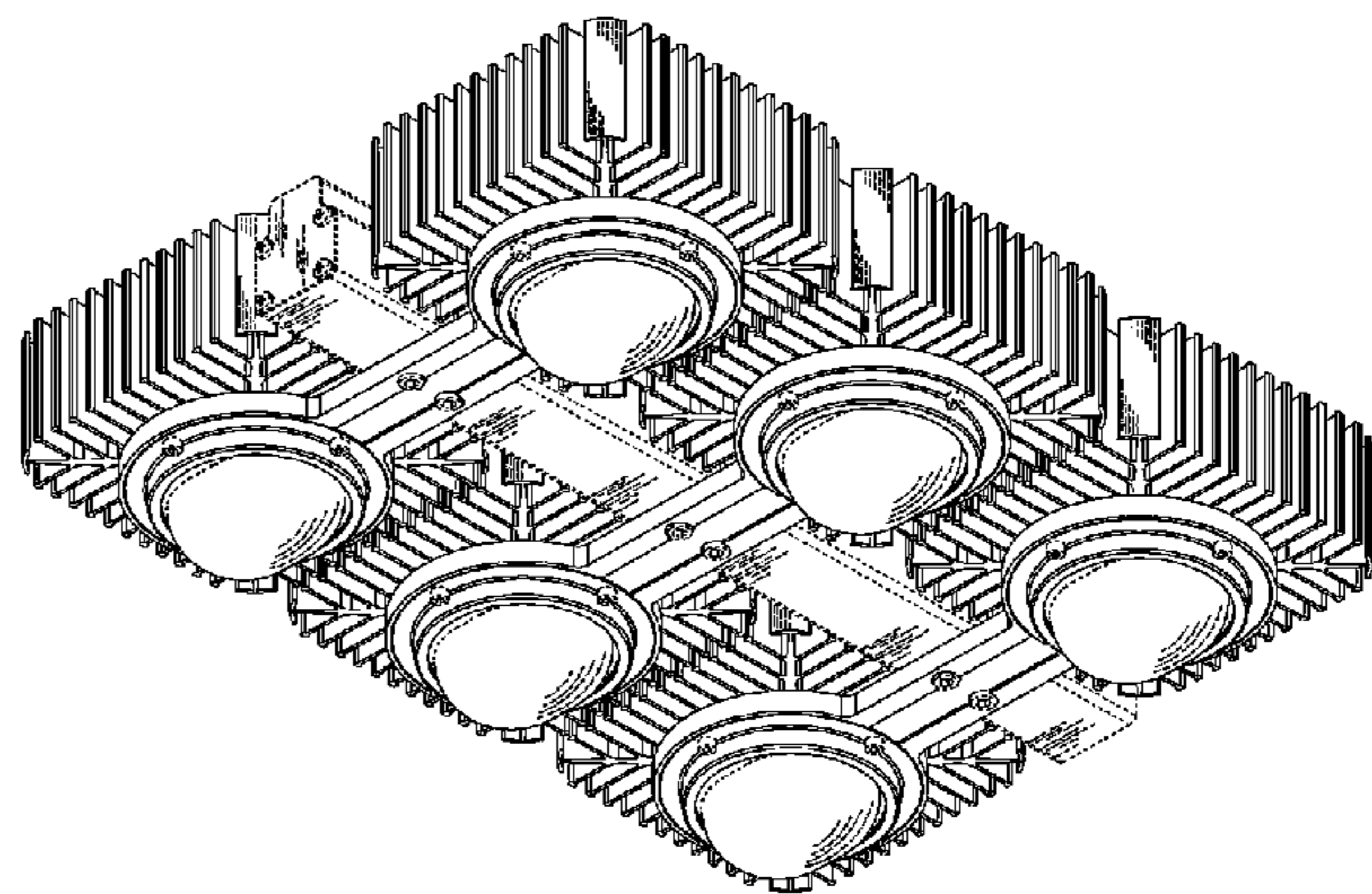
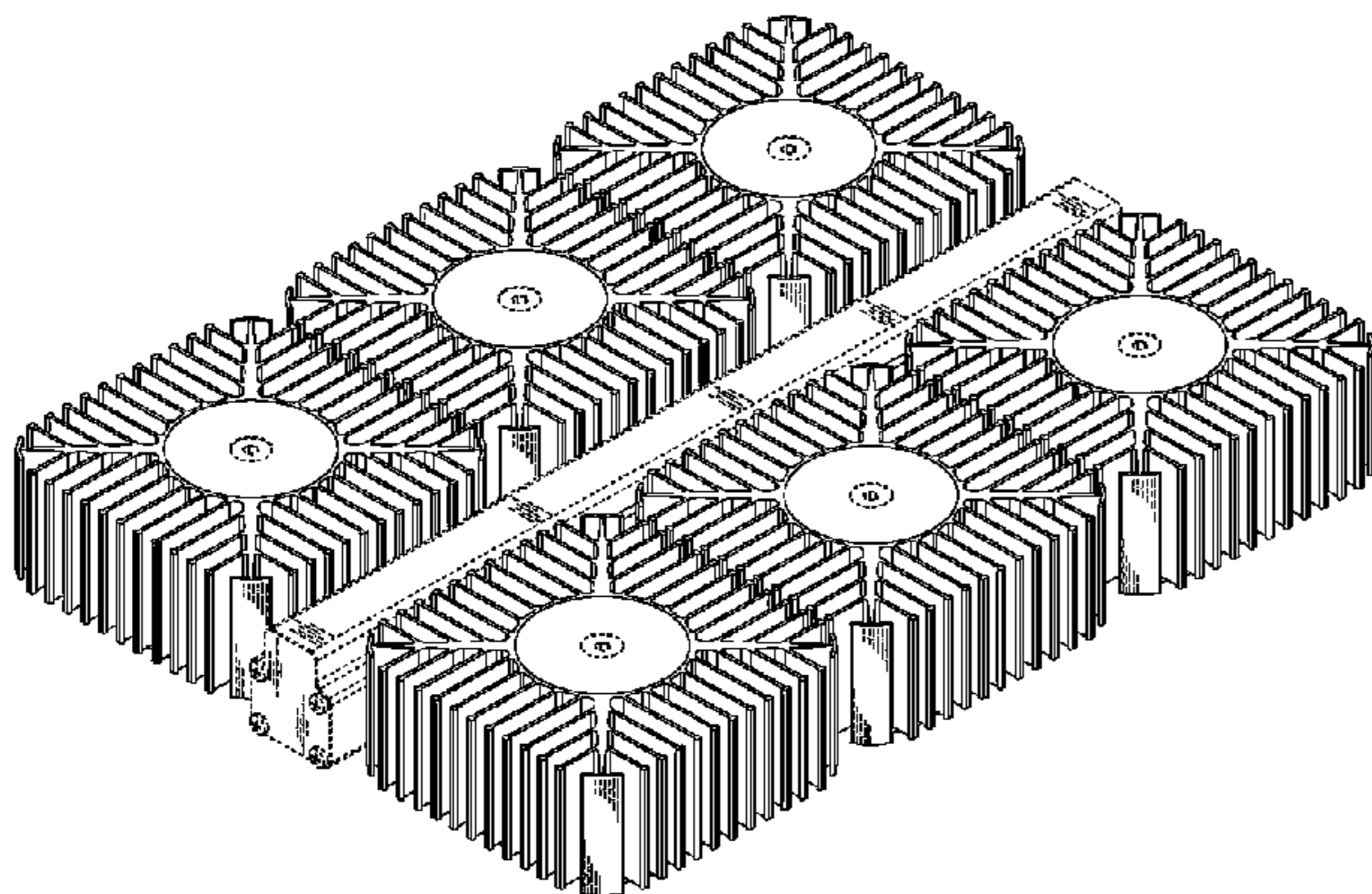
(57) **CLAIM**

We claim the ornamental design for a lighting fixture, as shown and described.

DESCRIPTION

FIG. 1 is a perspective view of a lighting fixture in accordance with an embodiment of the new design;
FIG. 2 is a front elevational view of the lighting fixture of FIG. 1;
FIG. 3 is a rear elevational view of the lighting fixture of FIG. 1;
FIG. 4 is a left side elevational view of the lighting fixture of FIG. 1;
FIG. 5 is a right side elevational view of the lighting fixture of FIG. 1;
FIG. 6 is a top plan view of the lighting fixture of FIG. 1;
FIG. 7 is a bottom plan view of the lighting fixture of FIG. 1; and,
FIG. 8 is another perspective view of the lighting fixture of FIG. 1.
The broken lines illustrating portions of the lighting fixture form no part of the claimed design.

1 Claim, 8 Drawing Sheets



US D706,973 S

Page 2

(56)

References Cited

U.S. PATENT DOCUMENTS

	2006/0196636 A1*	9/2006	Liu	165/80.3
	2009/0009999 A1*	1/2009	Wang et al.	362/249
	2009/0147517 A1*	6/2009	Li et al.	362/249.02
D681,259 S *	4/2013	Kong	D26/113	* cited by examiner

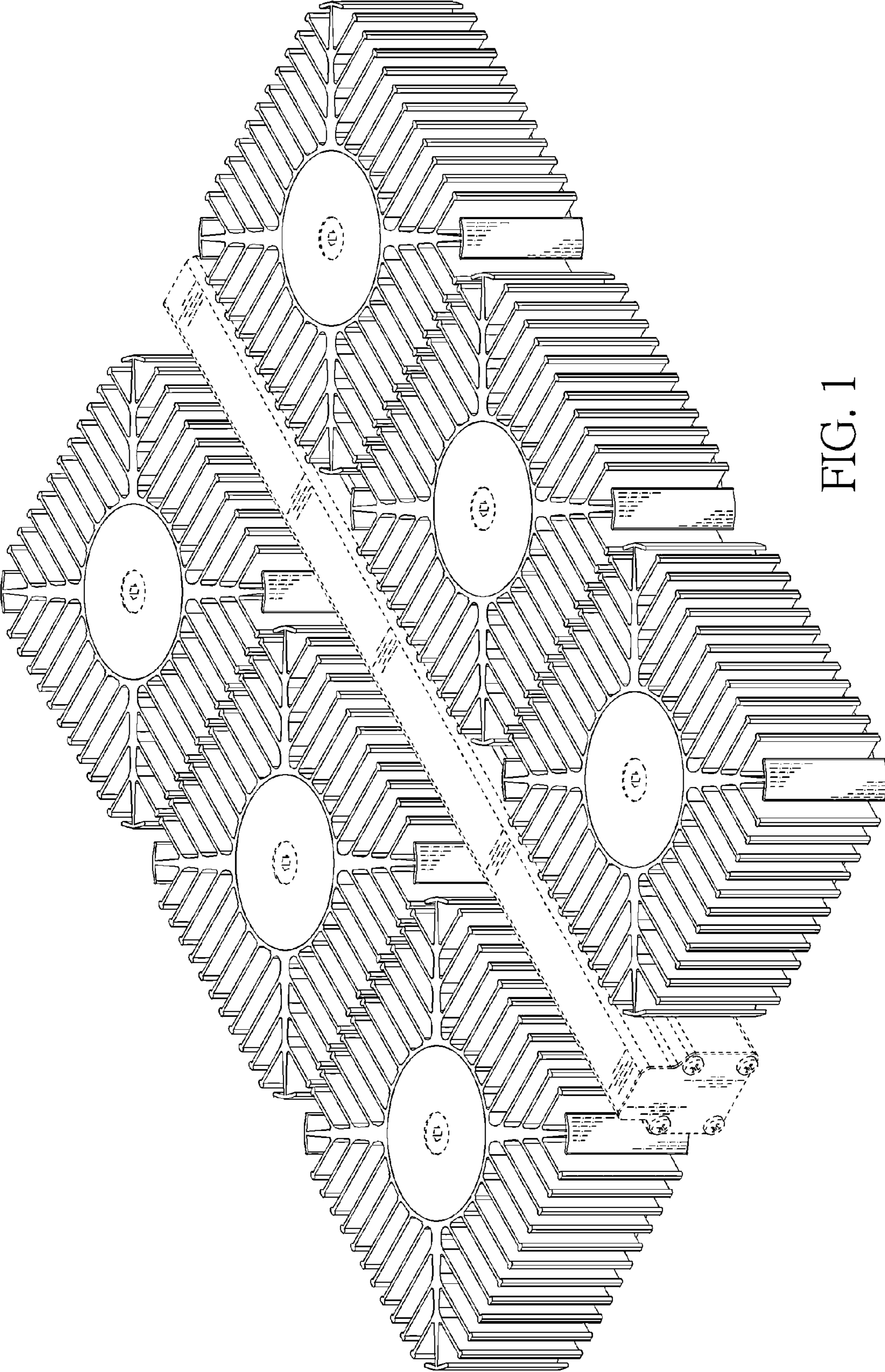


FIG. 1

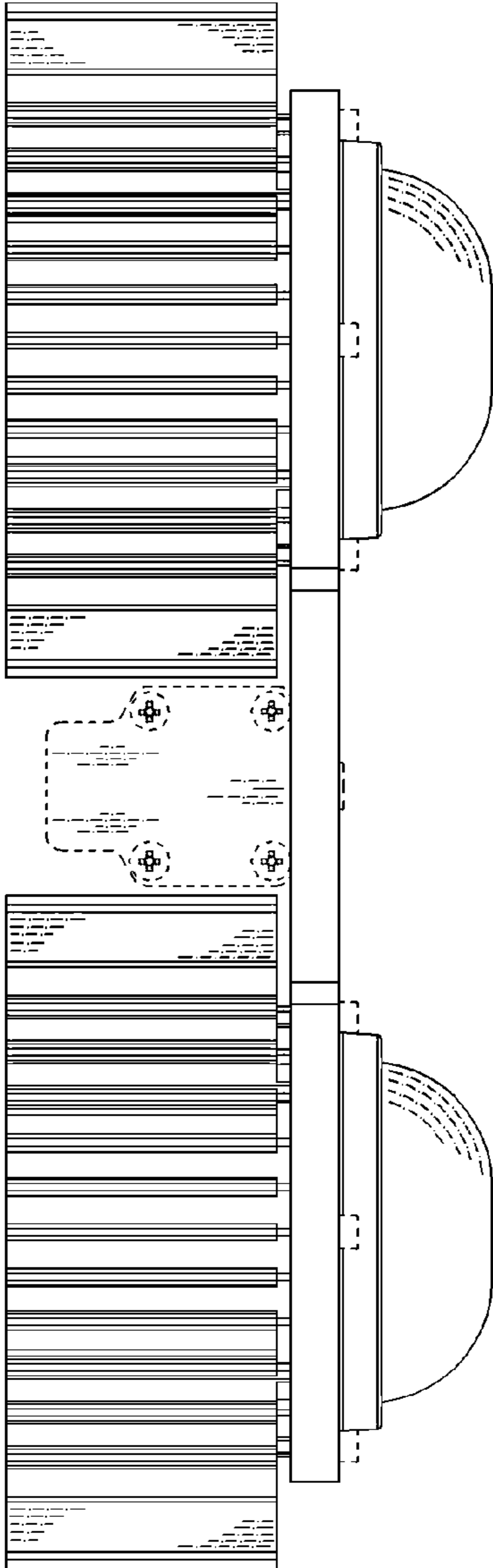


FIG. 2

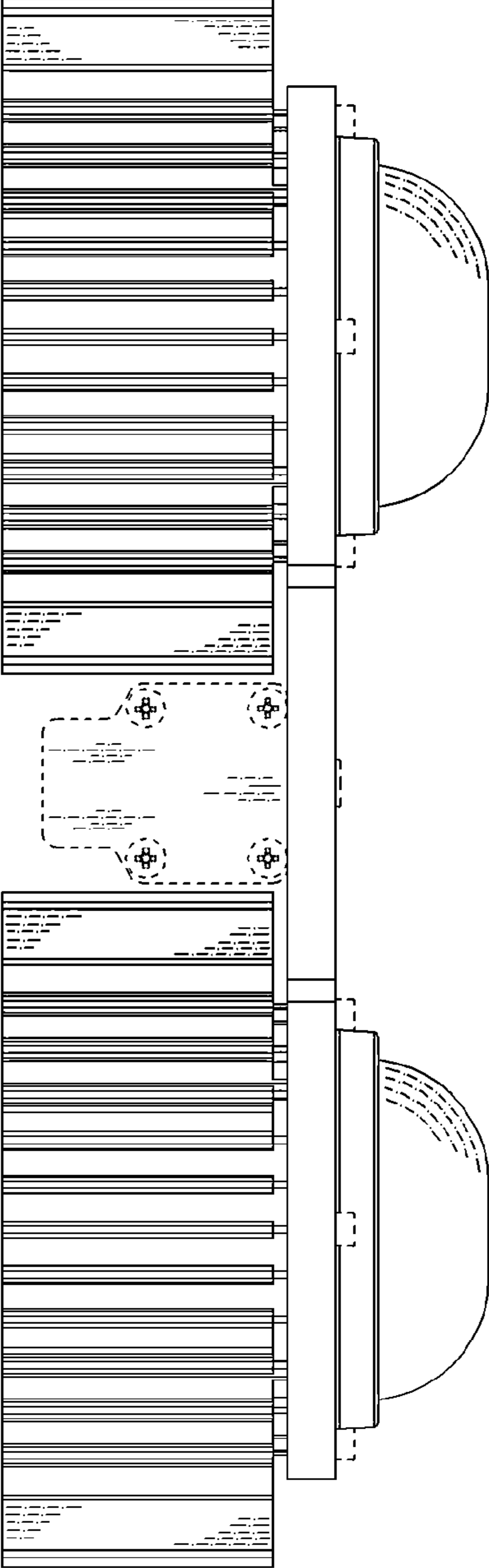


FIG. 3

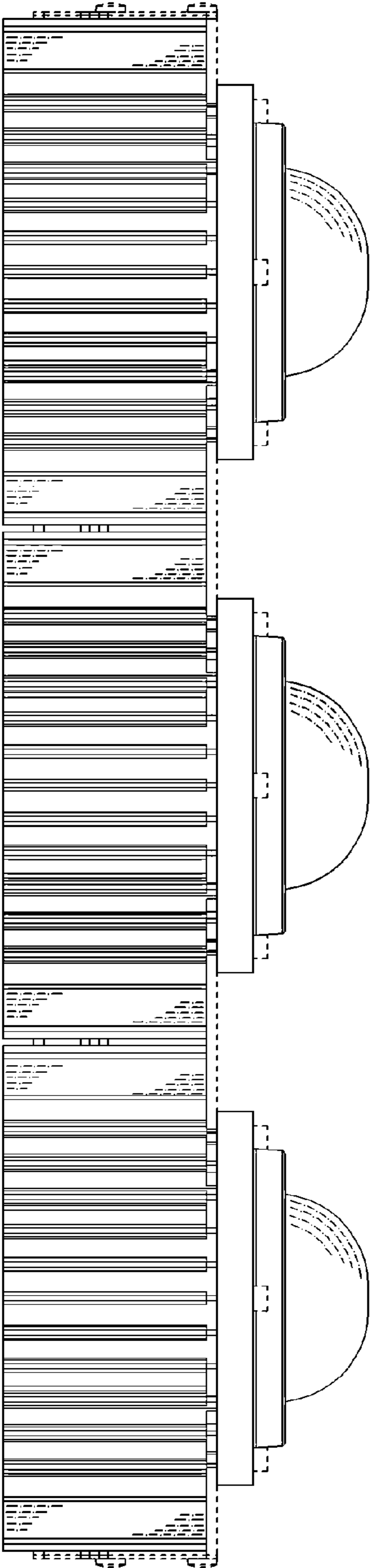


FIG. 4

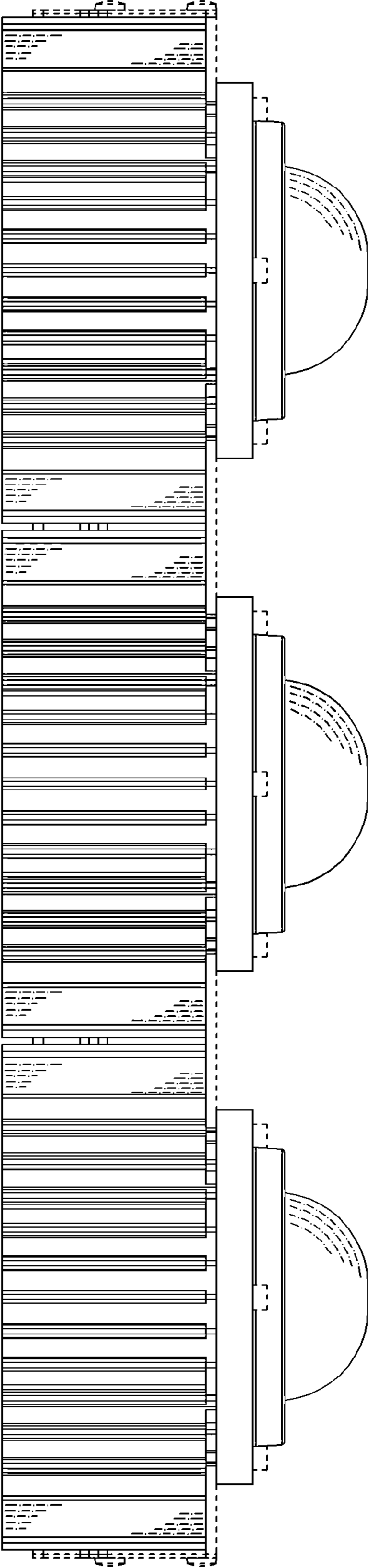


FIG. 5

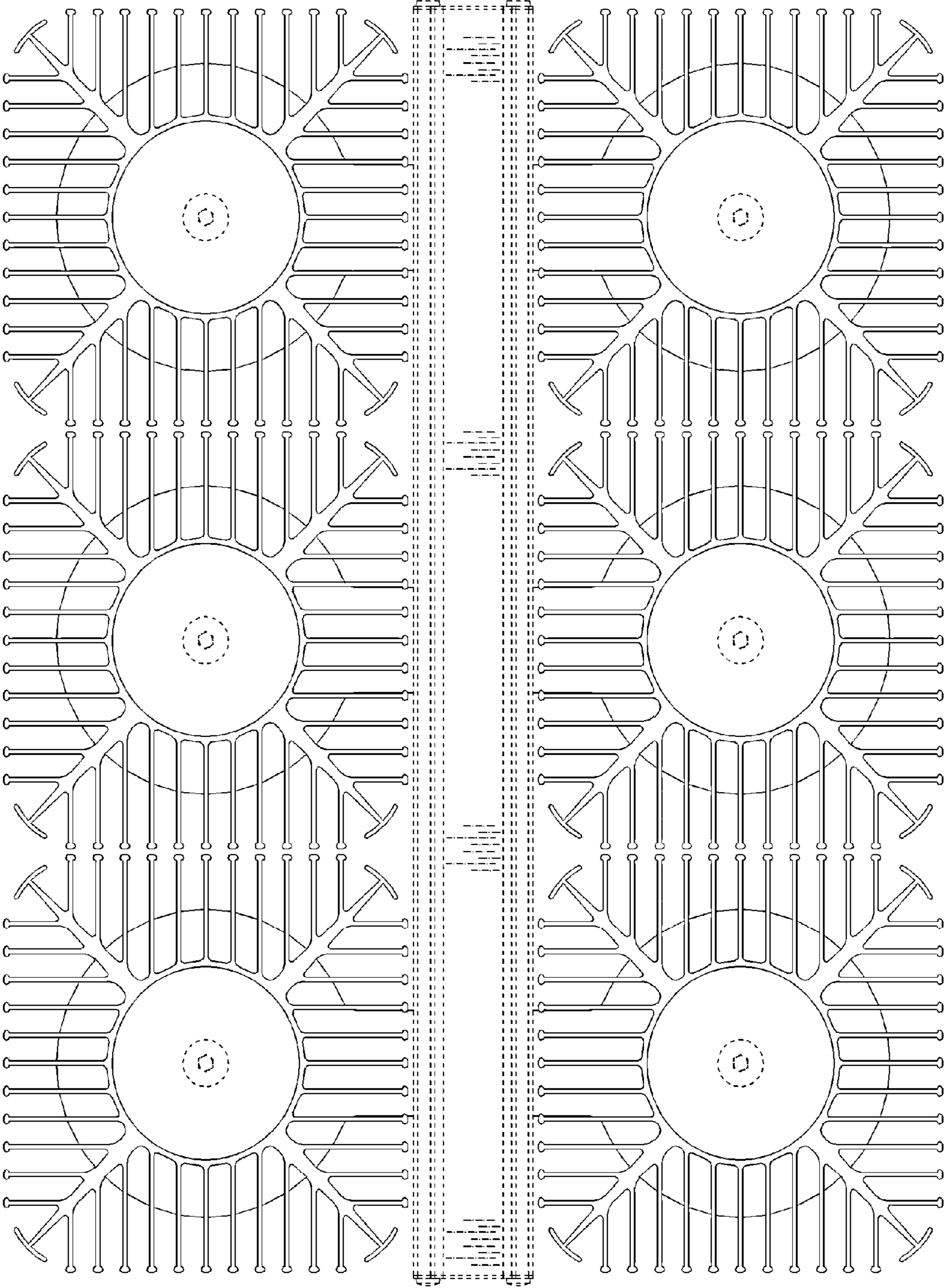


FIG. 6

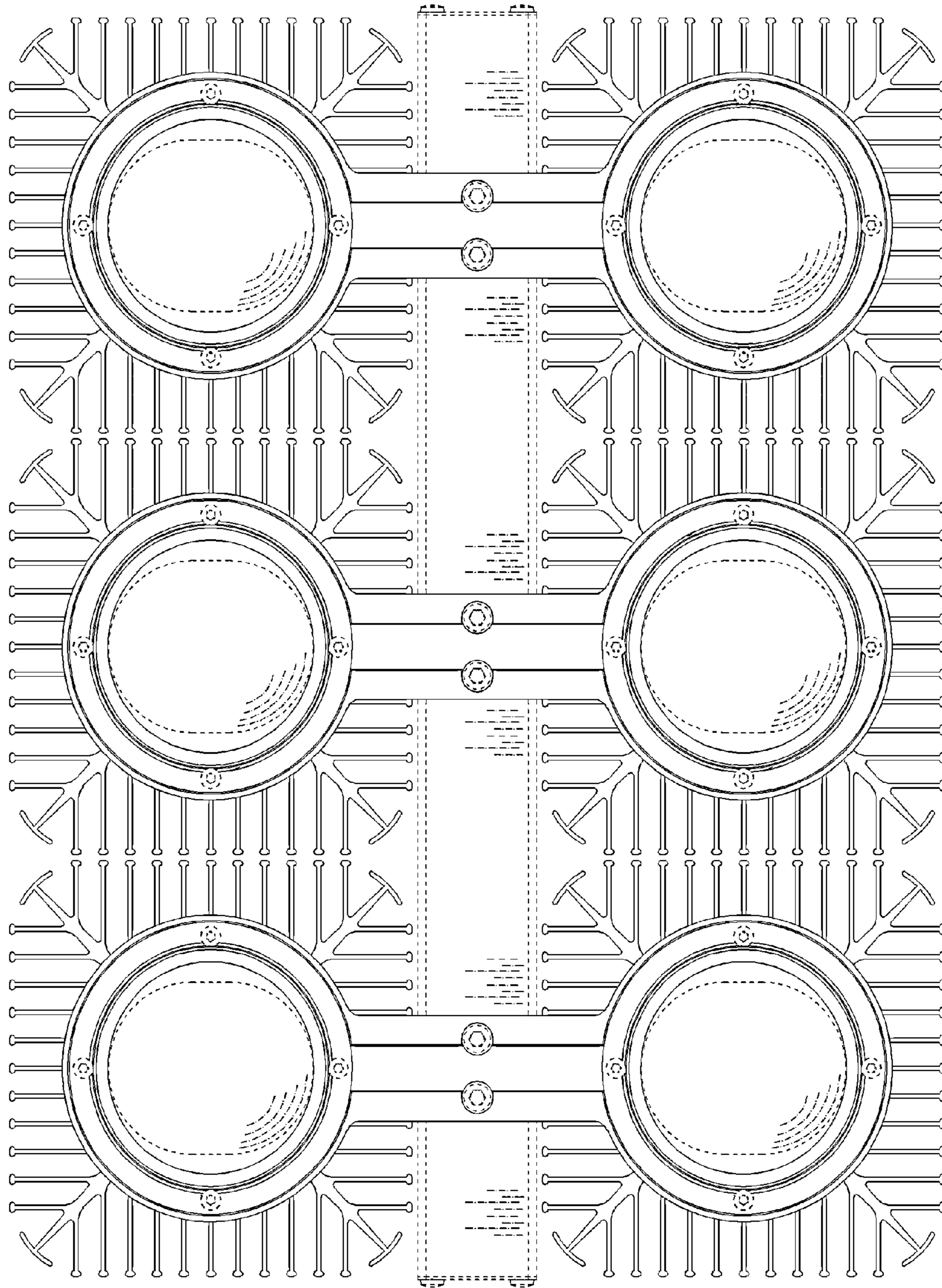


FIG. 7

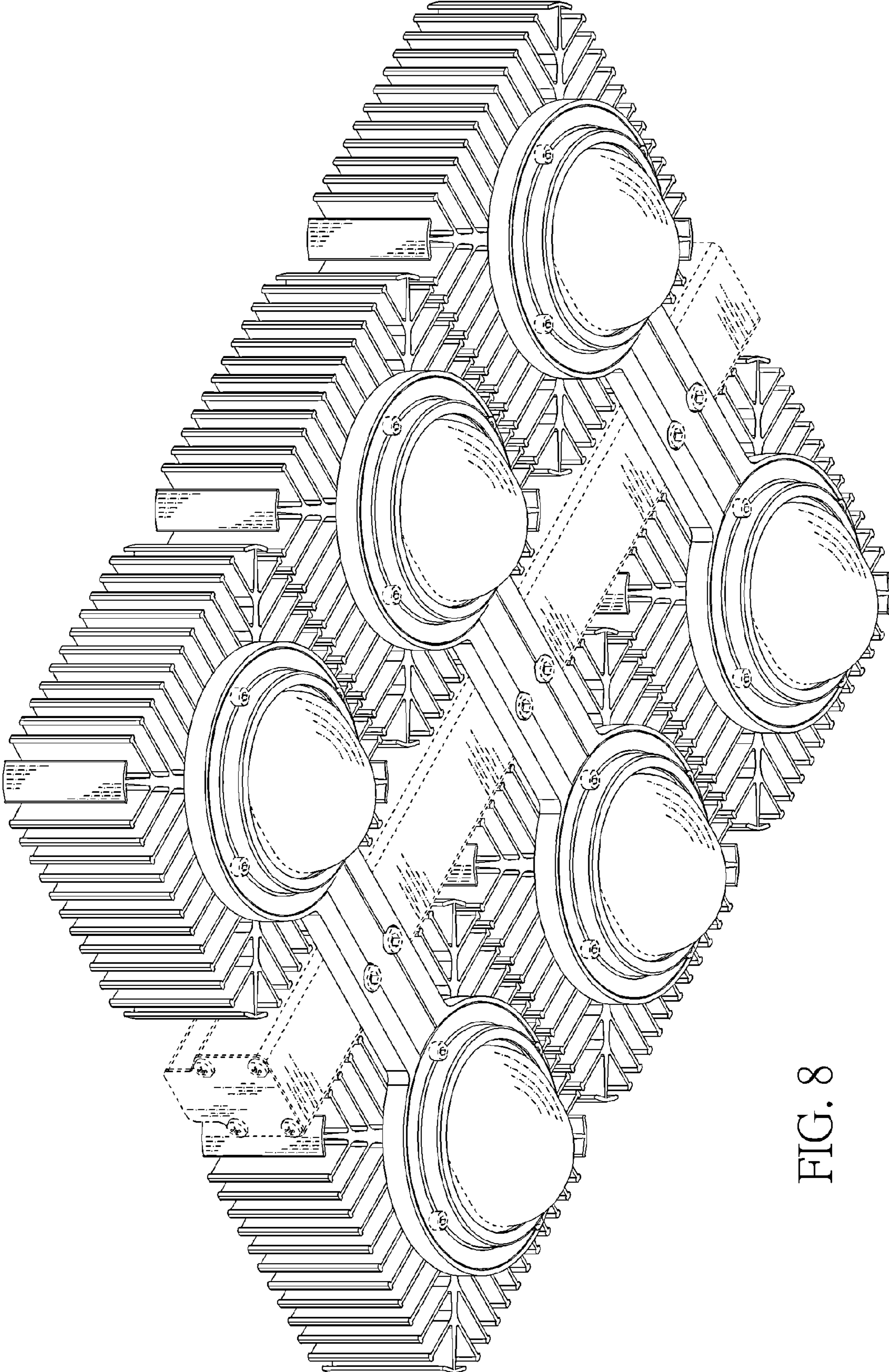


FIG. 8