



US00D706972S

(12) **United States Design Patent**
Howard et al.

(10) **Patent No.:** **US D706,972 S**
(45) **Date of Patent:** **** Jun. 10, 2014**

- (54) **LED NIGHT-LIGHT TOP**
- (71) Applicant: **Mary Elle Fashions, Inc.**, Maryland Heights, MO (US)
- (72) Inventors: **Kenneth Howard**, Creve Coeur, MO (US); **James Riley**, St. Louis, MO (US); **Matthew Smith**, St. Charles, MO (US); **Gavin Perry**, St. Louis, MO (US)
- (73) Assignee: **Mary Elle Fashions, Inc.**, Maryland Heights, MO (US)

5,683,254	A *	11/1997	Lin	362/641
D393,084	S *	3/1998	Hergert	D26/26
D393,912	S *	4/1998	Yuen	D26/26
D397,814	S *	9/1998	Pun	D26/26
D404,673	S *	1/1999	Gordon et al.	D10/118
6,093,028	A *	7/2000	Yang	439/13
D430,945	S *	9/2000	Ham	D26/26
D431,660	S *	10/2000	Yuen	D26/26
D460,573	S *	7/2002	Gee, II	D26/26
D471,654	S *	3/2003	Schenck	D26/26
D500,152	S *	12/2004	Stekelenburg	D26/26
6,843,656	B2 *	1/2005	Hwang et al.	439/11
6,926,426	B2 *	8/2005	Currie et al.	362/282
6,955,441	B1 *	10/2005	Chen	362/96

(Continued)

(**) Term: **14 Years**

Primary Examiner — Garth Rademaker

(21) Appl. No.: **29/441,008**

Assistant Examiner — Llorellys Martinez-Rivera

(22) Filed: **Dec. 29, 2012**

(74) *Attorney, Agent, or Firm* — Senniger Powers LLP

(51) **LOC (10) Cl.** **26-99**

(57) **CLAIM**

(52) **U.S. Cl.**
USPC **D26/113; D26/26**

The ornamental design for an LED night-light top, as shown and described.

(58) **Field of Classification Search**
USPC D26/1, 2, 5-7, 24, 26, 28, 34, 50, 51, D26/72-74, 81-85, 87-89, 92, 93, 113, D26/118-120; 362/23.01, 216, 249.02, 362/249.03, 249.07, 277, 285, 310, 362, 362/372, 640-653; D11/222-228; D10/118
See application file for complete search history.

DESCRIPTION

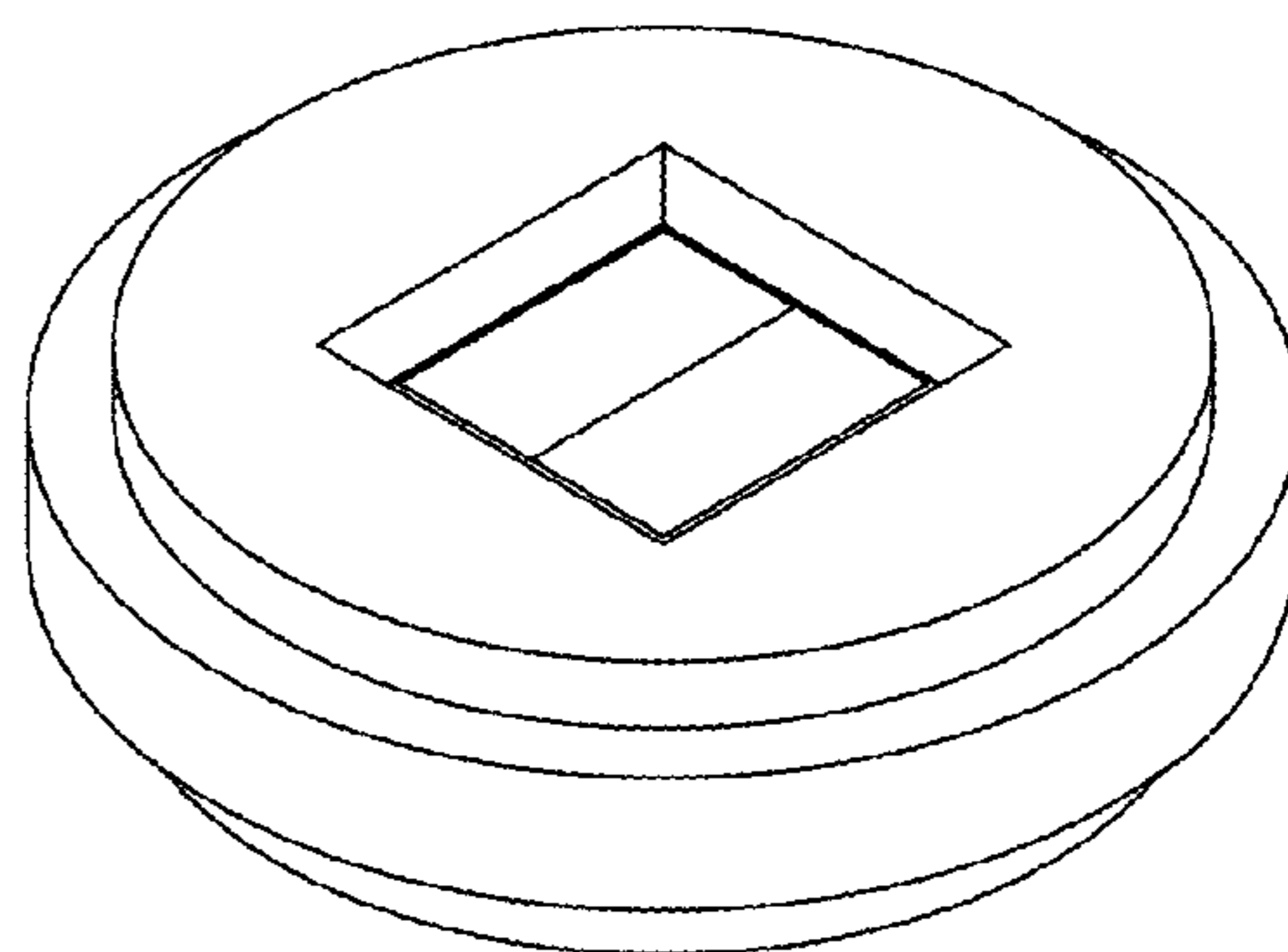
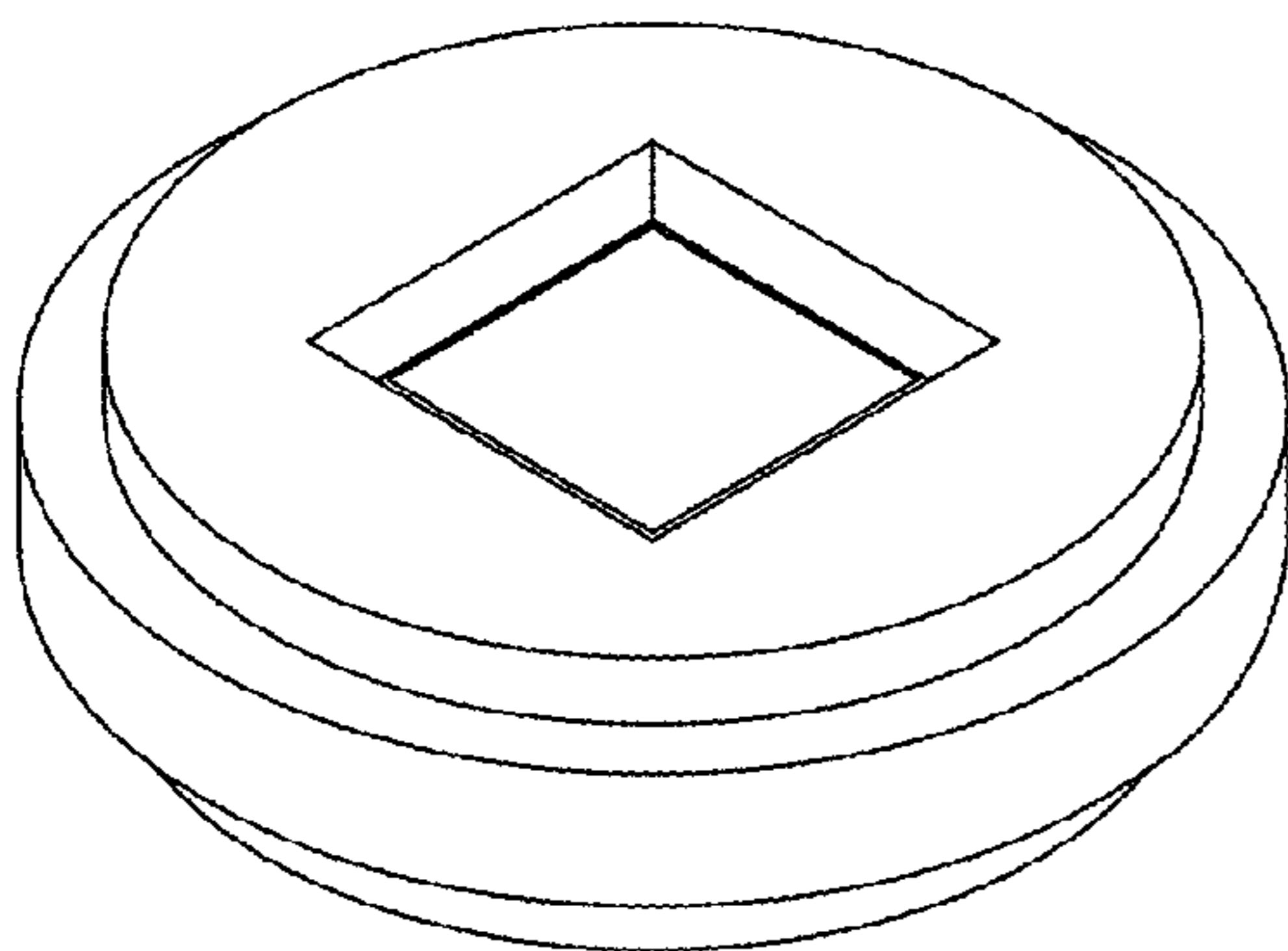
(56) **References Cited**

U.S. PATENT DOCUMENTS

D113,227	S *	2/1939	Jette	D11/227
2,905,779	A *	9/1959	Schmier	D26/26
3,780,260	A *	12/1973	Elsner	362/641
3,968,355	A *	7/1976	Smallegan	362/642
4,228,389	A *	10/1980	Vennard	320/127
4,343,032	A *	8/1982	Schwartz	D26/26
D291,125	S *	7/1987	Fenne	D26/26
4,714,984	A *	12/1987	Spector	362/641
5,263,577	A *	11/1993	Paratte et al.	206/38.1
5,339,231	A *	8/1994	Parsolano et al.	362/641

FIG. 1 is a perspective view of a first embodiment of an LED night-light top showing our invention;
 FIG. 2 is a front view thereof, the rear, right side and left side views being identical thereto;
 FIG. 3 is a top view thereof; and
 FIG. 4 is a bottom view thereof.
 FIG. 5 is a perspective view of a second embodiment of the LED night-light top, the front, rear, left side, right side and bottom views being identical to those of the first embodiment; and
 FIG. 6 is a top view thereof.
 FIG. 7 is a perspective view of a third embodiment of the LED night-light top, the front, rear, left side, right side and bottom views being identical to those of the first embodiment; and,
 FIG. 8 is a top view thereof.

1 Claim, 8 Drawing Sheets



(56)

References Cited

U.S. PATENT DOCUMENTS

D523,972 S *	6/2006	Chan	D26/26	8,215,820 B2 *	7/2012	Howard et al.	362/641
D524,456 S *	7/2006	Yuen	D26/26	8,371,740 B2 *	2/2013	Pestl et al.	362/643
D524,457 S *	7/2006	Chan	D26/26	D678,561 S *	3/2013	Rugendyke et al.	D26/26
D524,458 S *	7/2006	Chan	D26/26	8,425,105 B2 *	4/2013	Yang	362/641
7,114,821 B2 *	10/2006	Currie et al.	362/96	2004/0246704 A1 *	12/2004	Burdick	362/95
D536,806 S *	2/2007	Yuen	D26/26	2006/0007709 A1 *	1/2006	Yuen	362/641
7,568,829 B2 *	8/2009	Chien	362/641	2006/0221617 A1 *	10/2006	Chien	362/311
7,632,004 B2 *	12/2009	Chien	362/641	2007/0076440 A1 *	4/2007	Chien	362/643
D642,707 S *	8/2011	Kang et al.	D26/26	2007/0253222 A1 *	11/2007	Driska et al.	362/641
					2010/0290254 A1 *	11/2010	Howard et al.	362/641
					2012/0275194 A1 *	11/2012	Howard et al.	362/641

* cited by examiner

FIG. 1

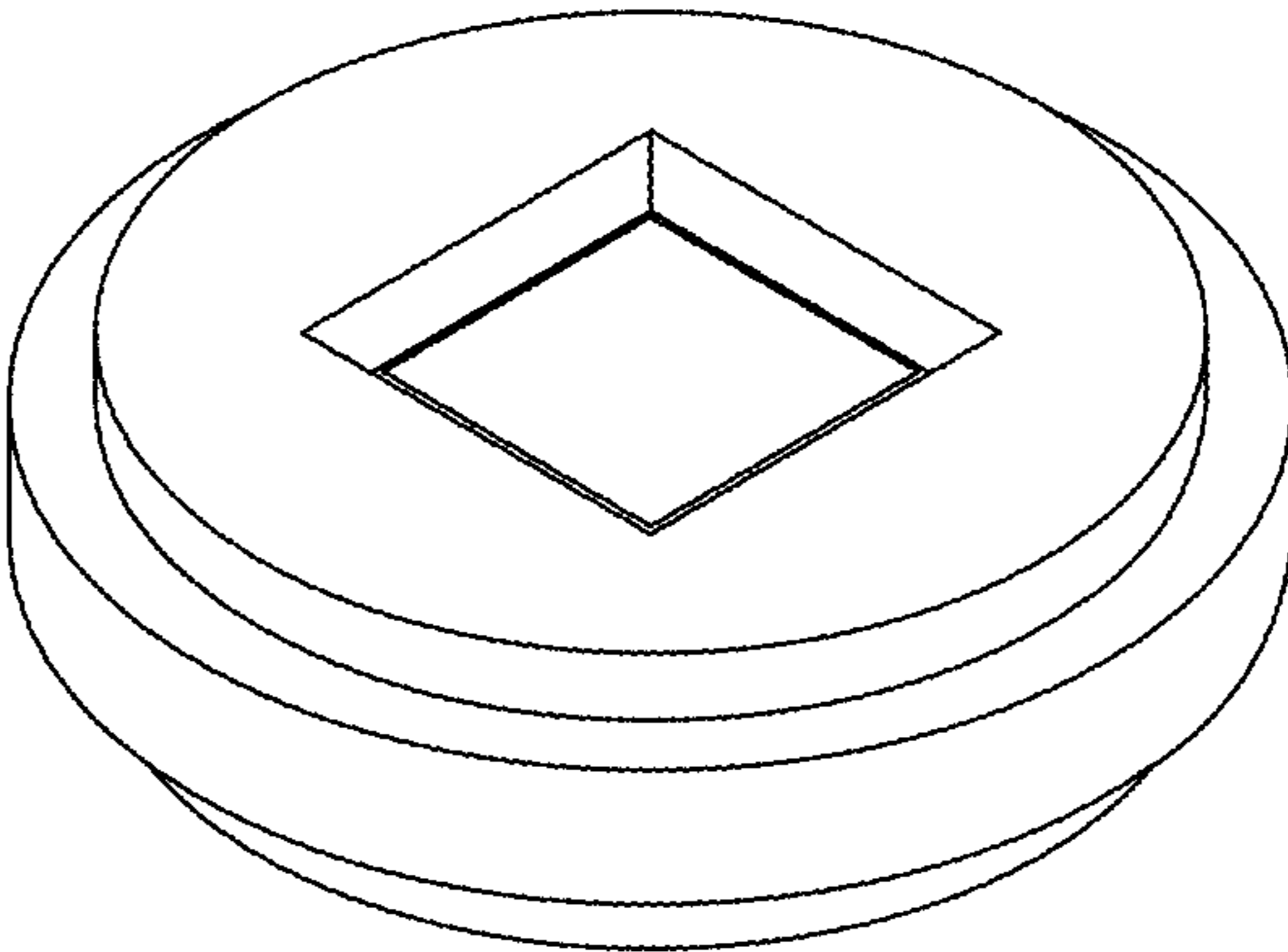


FIG. 2

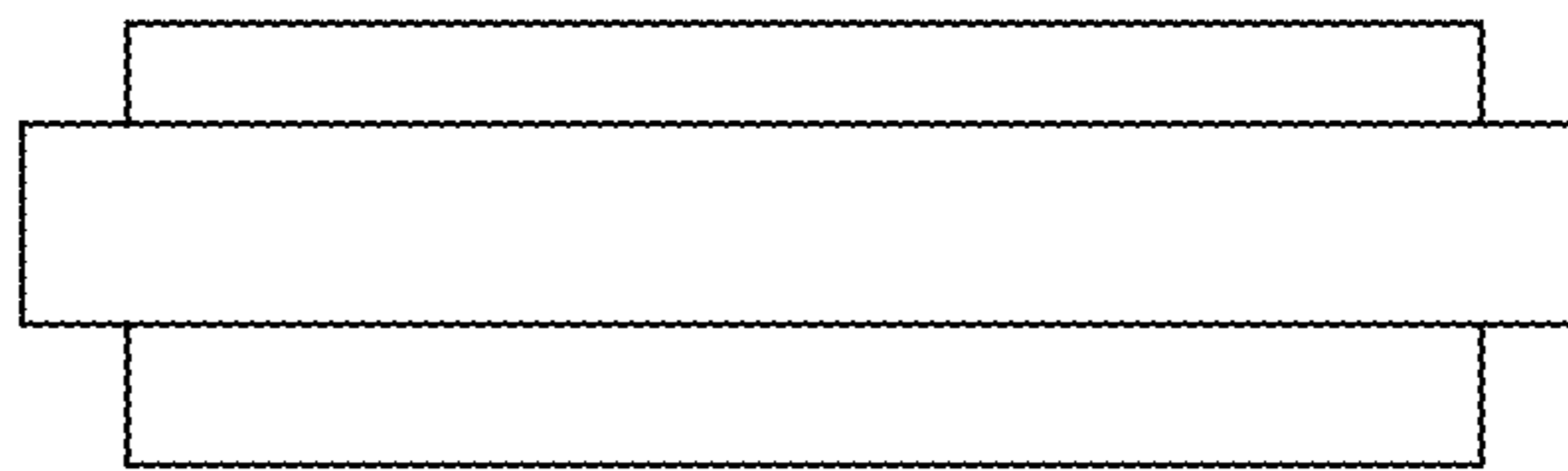


FIG. 3

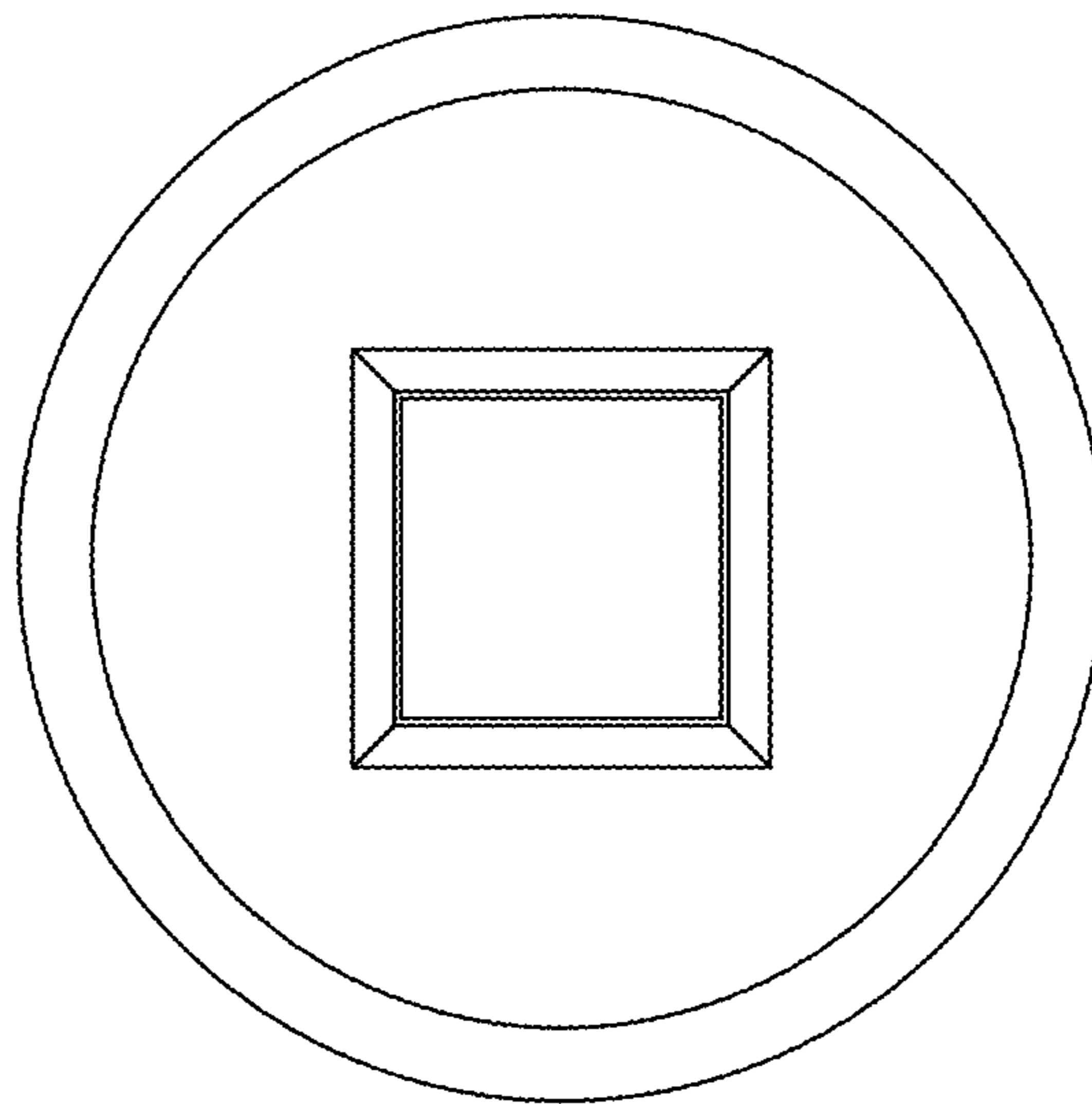


FIG. 4

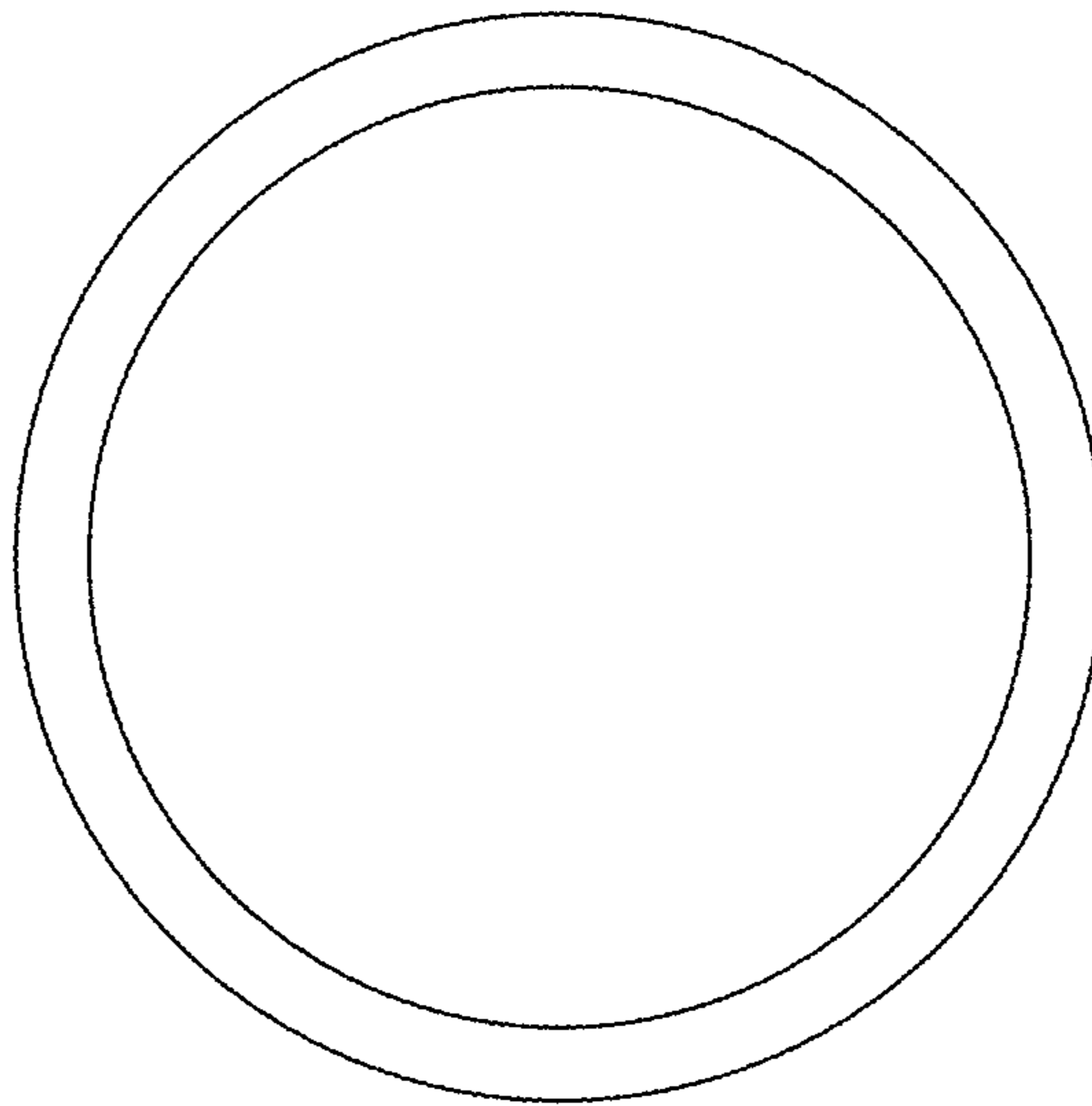


FIG. 5

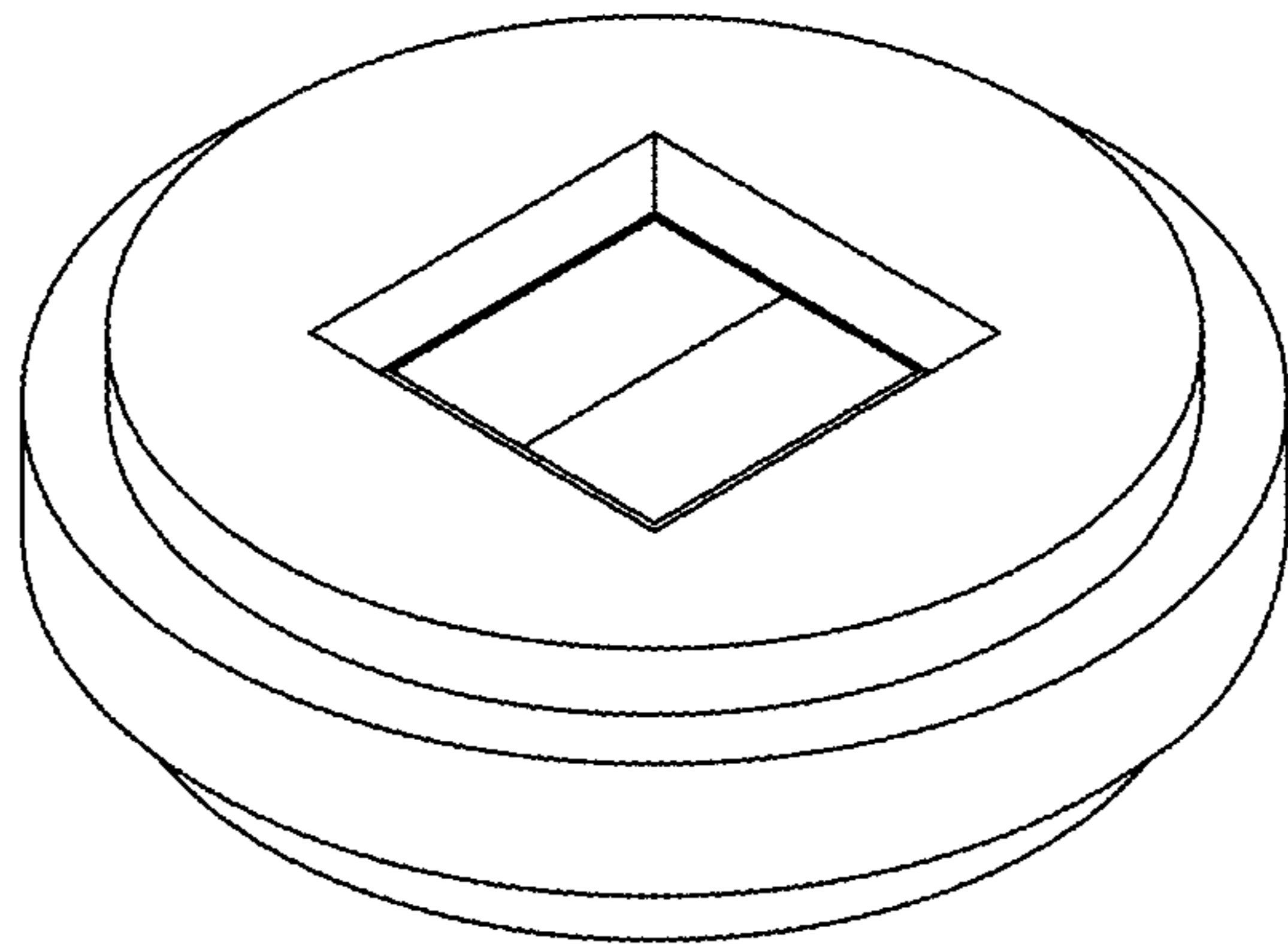


FIG. 6

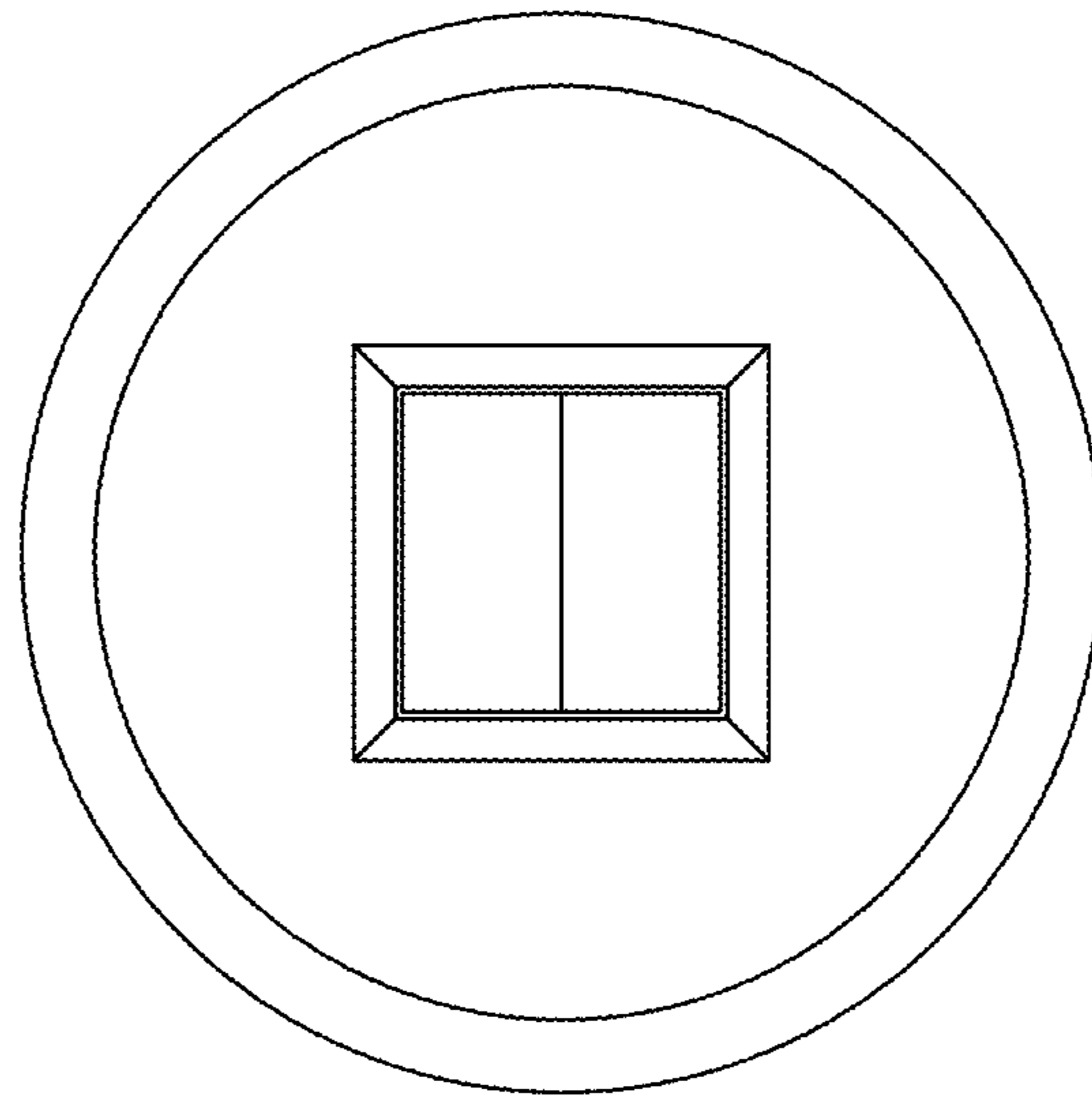


FIG. 7

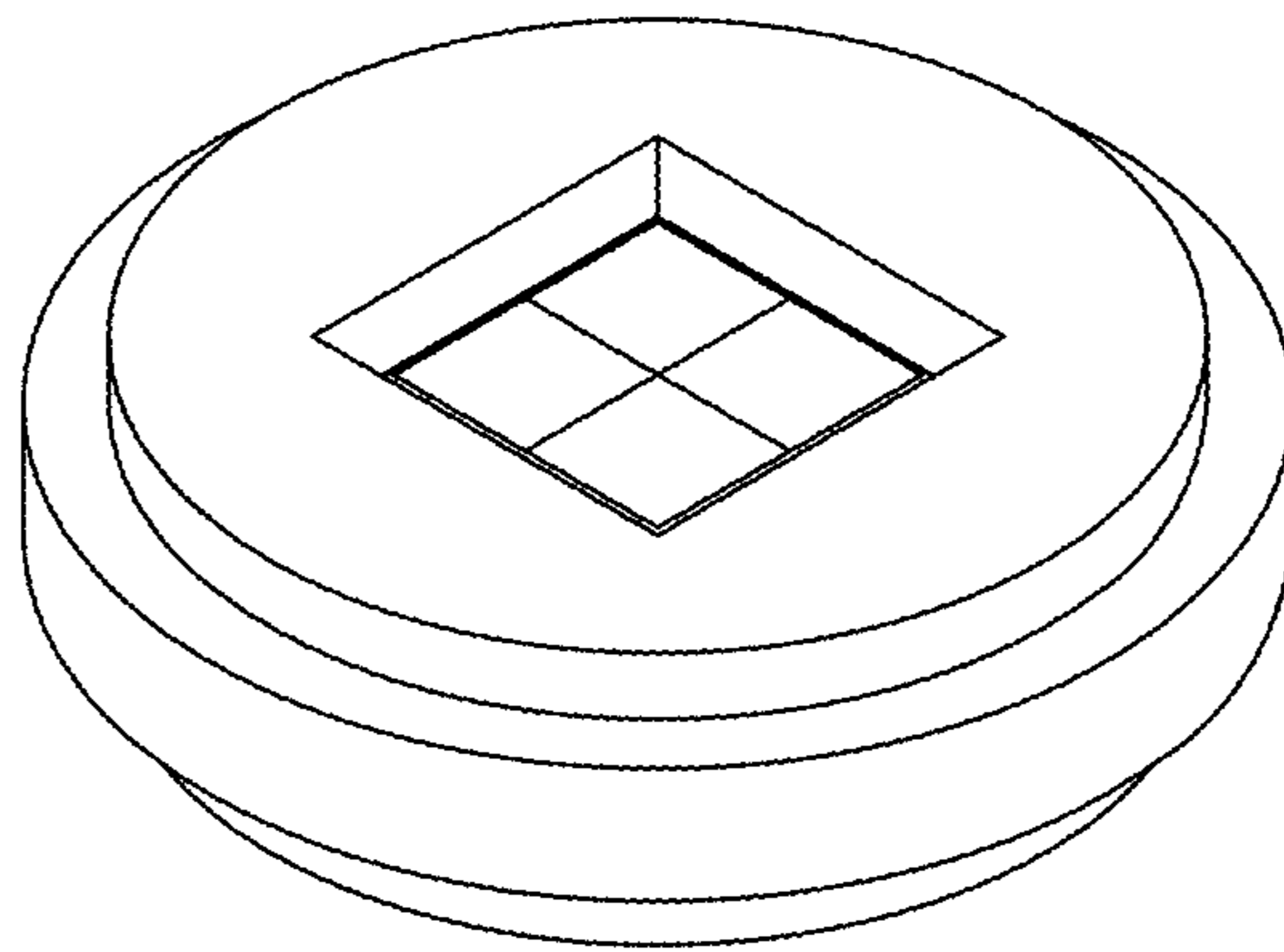


FIG. 8

