



US00D706969S

(12) **United States Design Patent**
Casciotti et al.

(10) **Patent No.:** **US D706,969 S**
(45) **Date of Patent:** **** Jun. 10, 2014**

(54) **FLASHLIGHT**

(71) Applicant: **Holland USA, Inc.**, North Mankato, MN
(US)

(72) Inventors: **David M. Casciotti**, Amsterdam, NY
(US); **Jing Mahler**, Glenville, NY (US);
Jonathan D. Voght, Canajoharie, NY
(US)

(73) Assignee: **Holland USA, Inc.**, North Mankato, MN
(US)

(**) Term: **14 Years**

(21) Appl. No.: **29/433,710**

(22) Filed: **Oct. 4, 2012**

(51) **LOC (10) Cl.** **26-02**

(52) **U.S. Cl.**
USPC **D26/49**

(58) **Field of Classification Search**
USPC D26/37, 46, 49, 44, 40, 42; 362/157,
362/158, 183, 184, 194–196, 202–208
See application file for complete search history.

(56) **References Cited**

U.S. PATENT DOCUMENTS

D343,695 S *	1/1994	Shiau	D26/49
D363,361 S *	10/1995	Maglica	D26/49
D479,354 S *	9/2003	Sharrah et al.	D26/49
D488,877 S *	4/2004	Shin	D26/49
D572,395 S *	7/2008	Guelzow et al.	D26/49

D595,440 S *	6/2009	Rivera et al.	D26/49
D629,545 S *	12/2010	Deguglimo et al.	D26/49
D639,476 S *	6/2011	Robinson	D26/49
D659,868 S *	5/2012	Deguglimo et al.	D26/49
D675,357 S *	1/2013	Shi	D26/49
D685,940 S *	7/2013	Lee	D26/49
D688,402 S *	8/2013	Roshak et al.	D26/49

* cited by examiner

Primary Examiner — Ian Simmons

Assistant Examiner — Carissa C Fitts

(74) *Attorney, Agent, or Firm* — Dicke, Billig & Czaja,
PLLC

(57) **CLAIM**

We claim the ornamental design for a flashlight, as shown and described.

DESCRIPTION

FIG. 1 is a perspective view of a flashlight showing our new design;

FIG. 2 is a front view of FIG. 1;

FIG. 3 is a back view of FIG. 1;

FIG. 4 is a right side view of FIG. 1, the left side view being a mirror image of the right side view;

FIG. 5 is an enlarged top view of FIG. 1; and,

FIG. 6 is an enlarged bottom view of FIG. 1.

Portions of the flashlight shown in broken lines are for the purpose of showing features that form no part of the claimed design. Stippling indicates contrast in materials. Cross-hatching indicates contrast in surface texture.

1 Claim, 4 Drawing Sheets



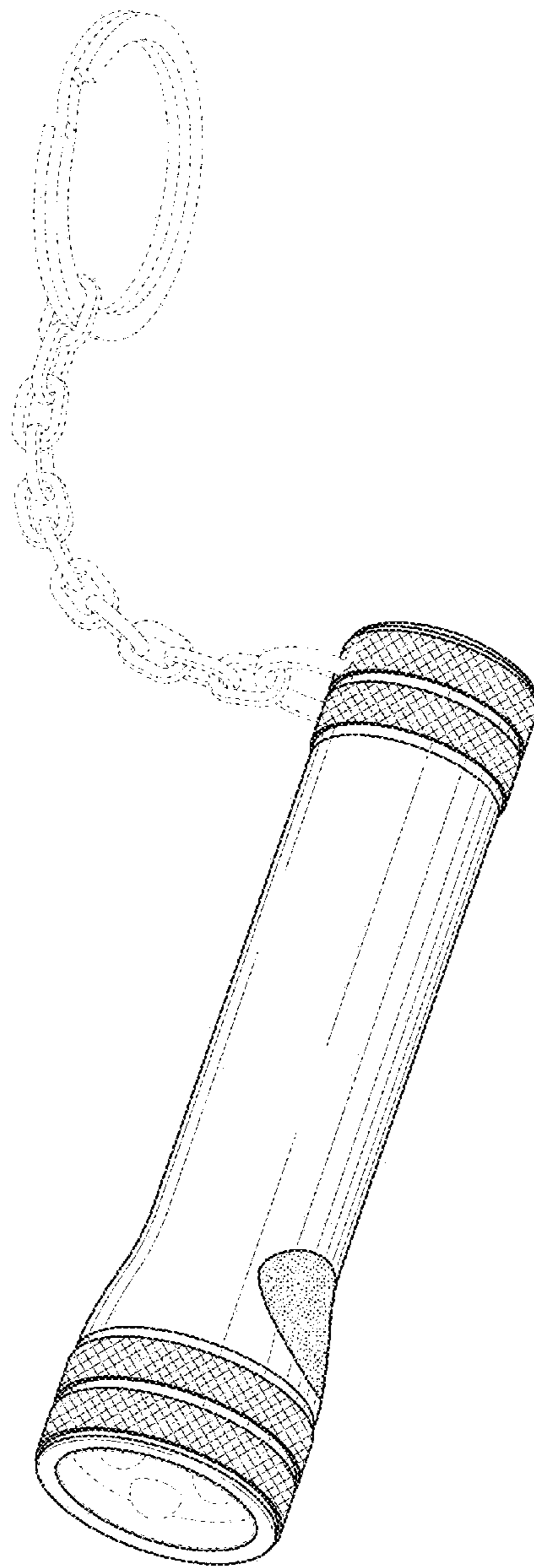


Fig. 1

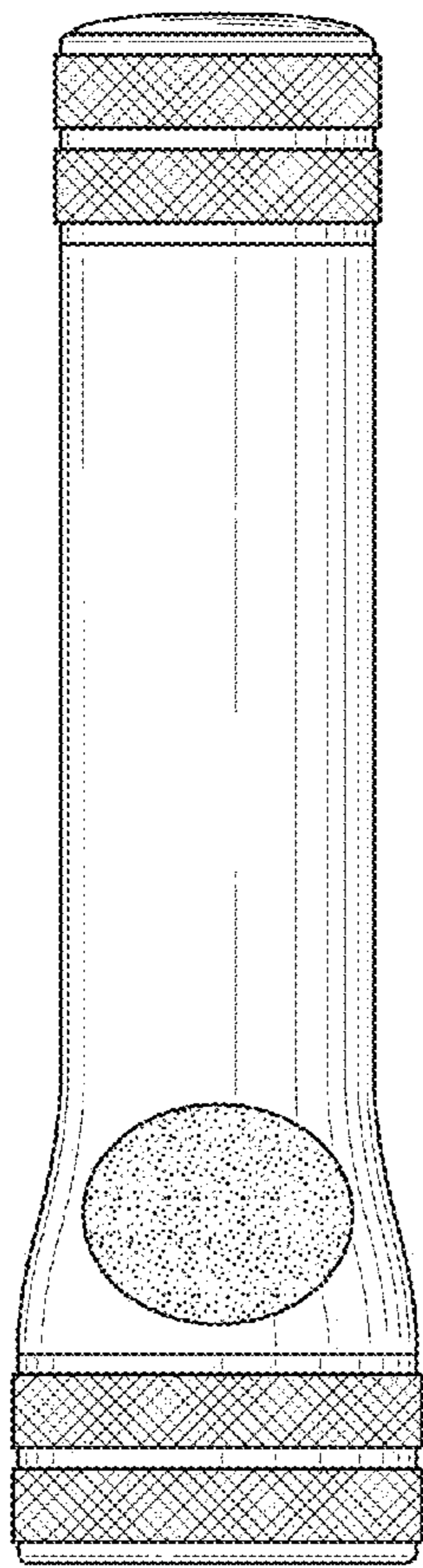


Fig. 2

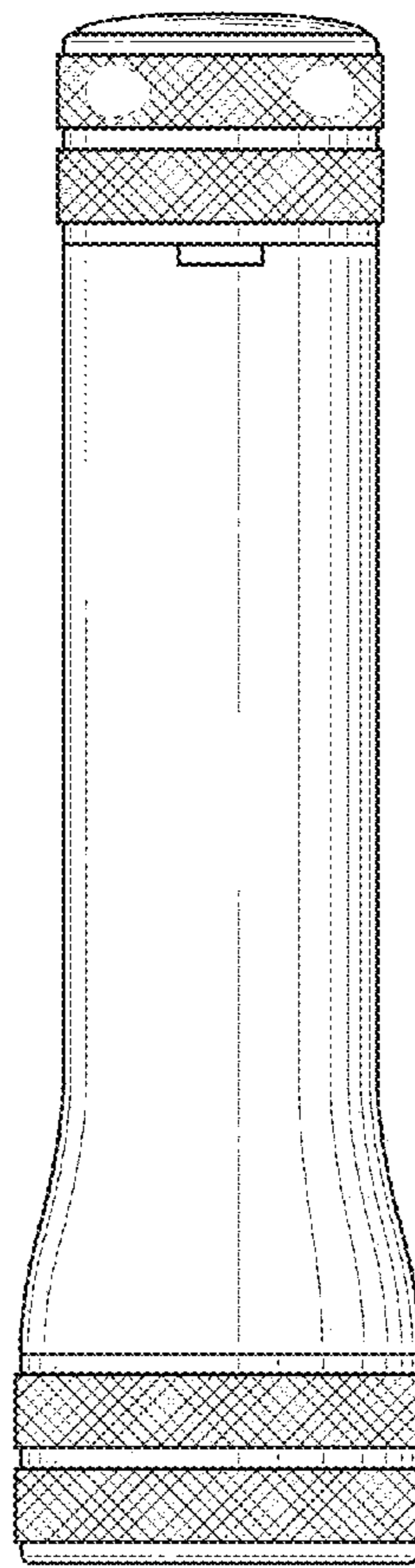


Fig. 3

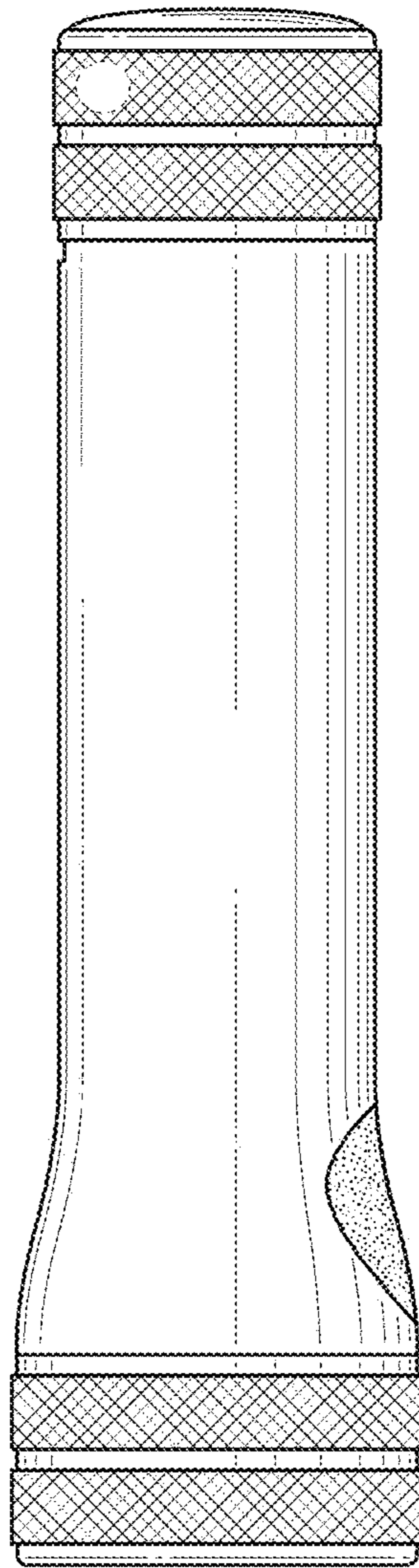


Fig. 4

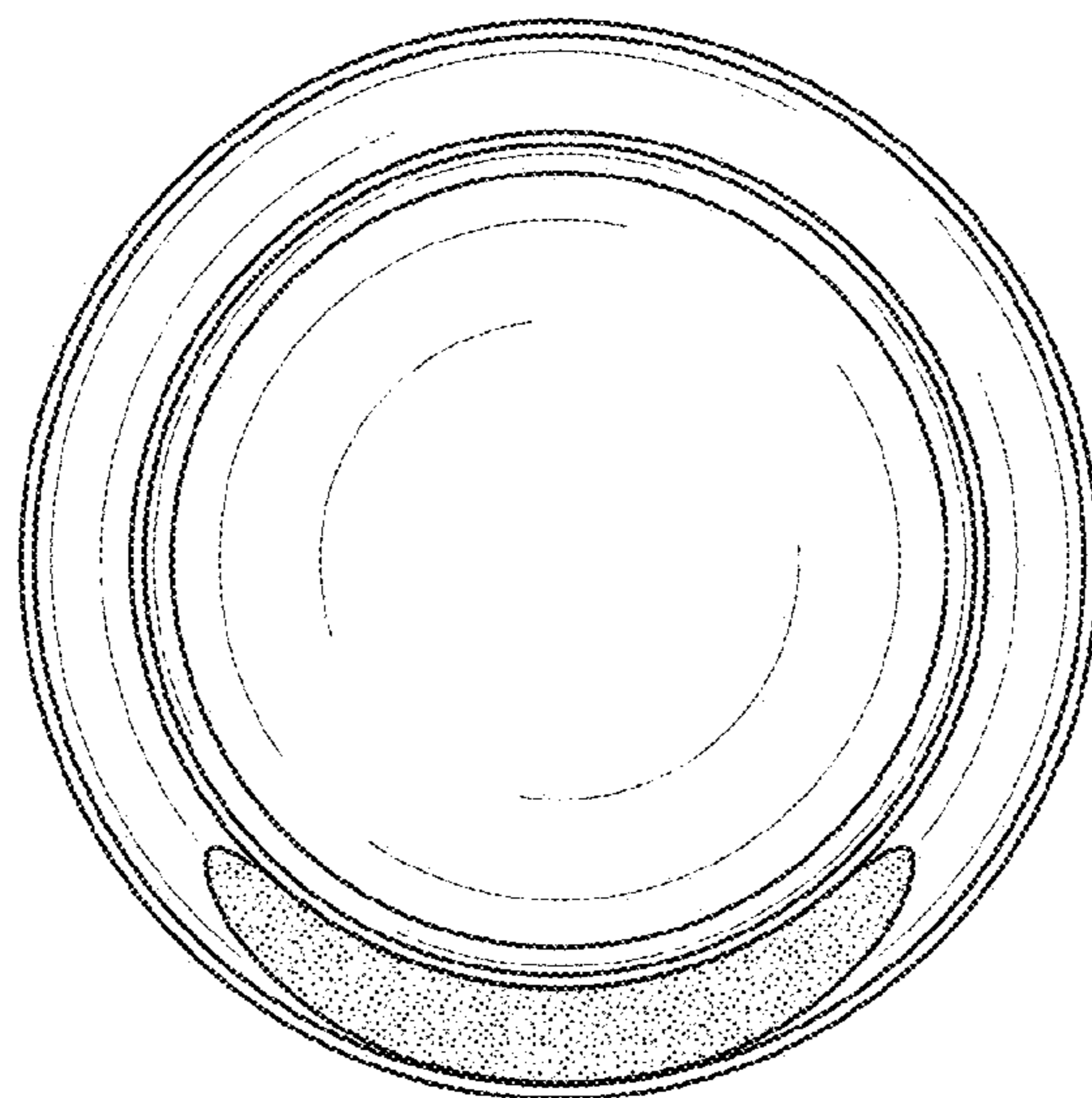


Fig. 5

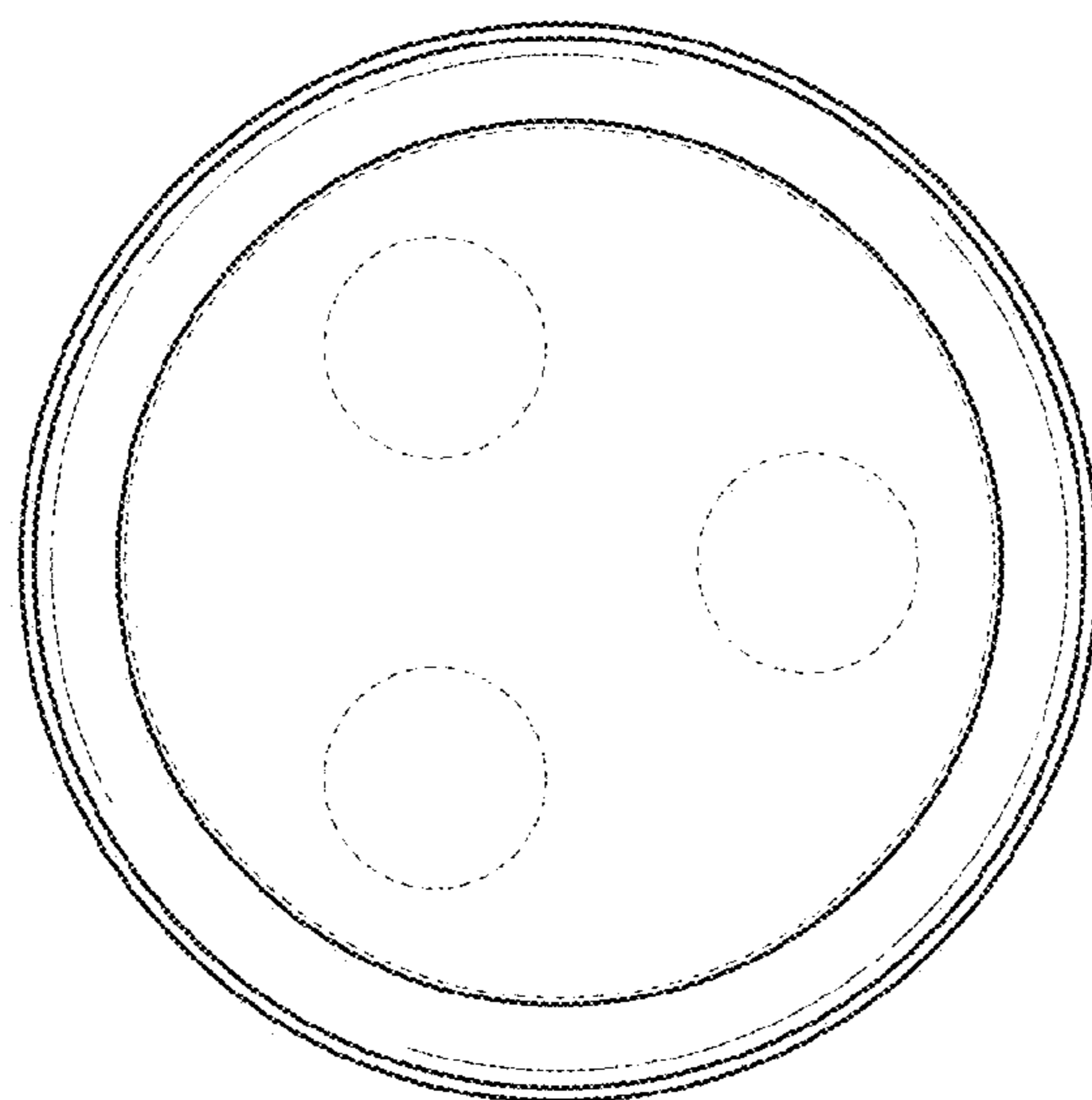


Fig. 6