



US00D706968S

(12) **United States Design Patent**  
**McDonough et al.**

(10) **Patent No.:** **US D706,968 S**

(45) **Date of Patent:** **\*\* Jun. 10, 2014**

(54) **PORTABLE LAMP**

(71) Applicant: **Zippo Manufacturing Company**,  
Bradford, PA (US)

(72) Inventors: **James M. McDonough**, Bradford, PA  
(US); **Brian Barber**, Cyclone, PA (US);  
**Howard Tripp, II**, Plymouth, MN (US);  
**Neal Barnes**, Medina, MN (US); **Arthur**  
**R. Hamilton**, Indian Rocks Beach, FL  
(US)

(73) Assignee: **Zippo Manufacturing Company**,  
Bradford, PA (US)

(\*\*) Term: **14 Years**

(21) Appl. No.: **29/444,653**

(22) Filed: **Feb. 1, 2013**

(51) **LOC (10) Cl.** ..... **26-02**

(52) **U.S. Cl.**  
USPC ..... **D26/41**

(58) **Field of Classification Search**  
USPC ..... D26/37, 38, 39, 40, 42, 41, 46, 50, 51;  
362/157, 158, 183, 184, 194–196, 202,  
362/201, 207, 208, 171–174  
See application file for complete search history.

(56) **References Cited**

**U.S. PATENT DOCUMENTS**

D295,085 S \* 4/1988 Culley ..... D26/51  
D443,706 S \* 6/2001 Israel et al. .... D26/40  
D532,134 S \* 11/2006 Lo et al. .... D26/40  
D541,961 S \* 5/2007 Tarter et al. .... D26/40

D581,076 S \* 11/2008 Brown et al. .... D26/40  
D627,090 S \* 11/2010 Sanoner ..... D26/40  
D638,152 S \* 5/2011 Leung ..... D26/40  
D693,499 S \* 11/2013 Bennett et al. .... D26/37

\* cited by examiner

*Primary Examiner* — Ian Simmons

*Assistant Examiner* — Carissa C Fitts

(74) *Attorney, Agent, or Firm* — Squire Sanders (US) LLP

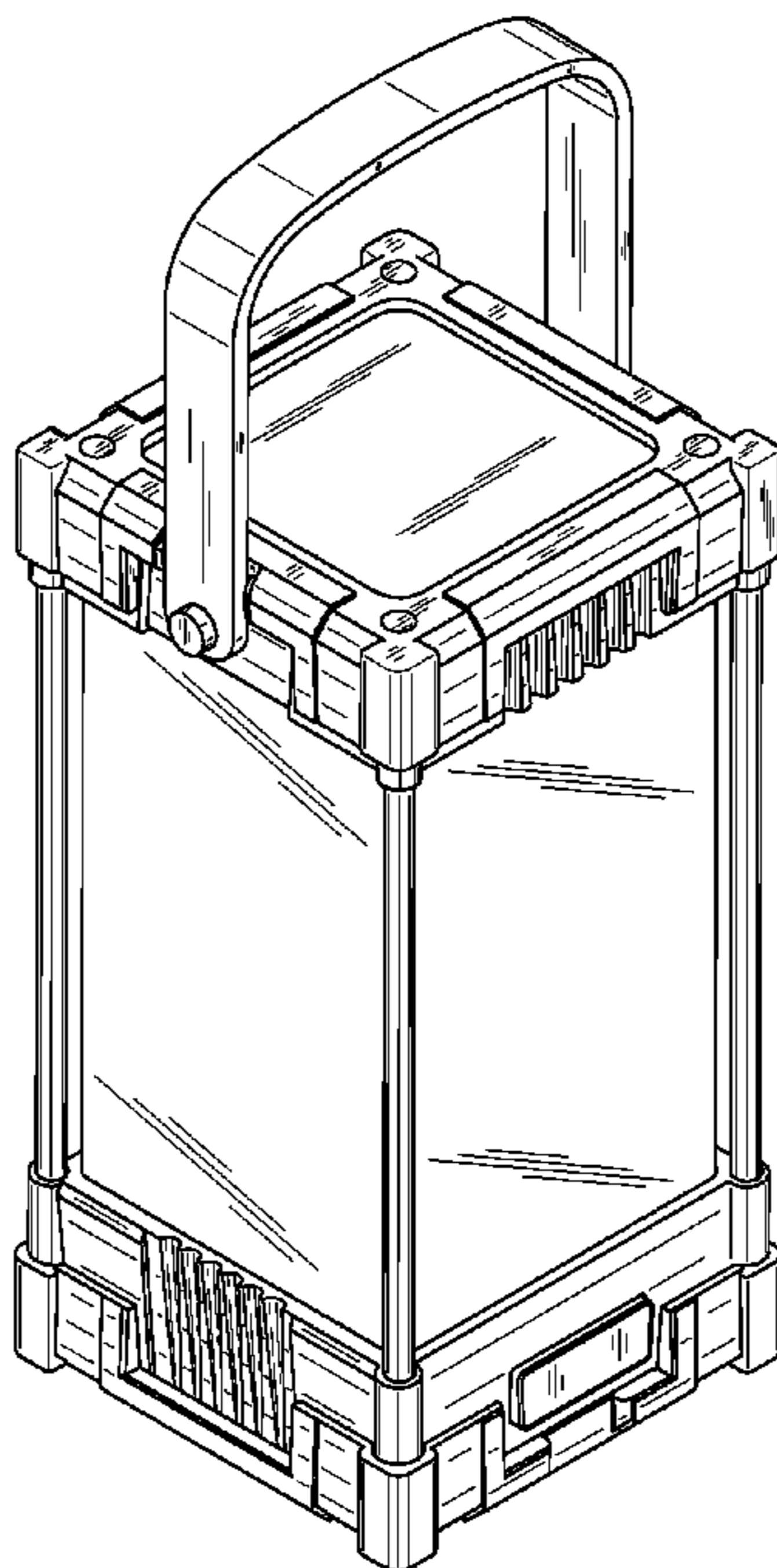
(57) **CLAIM**

The ornamental design for a portable lamp, as shown and described.

**DESCRIPTION**

FIG. 1 is a top perspective view of a portable lamp according to an embodiment of our design;  
FIG. 2 is a first side view thereof;  
FIG. 3 is a second, opposite side view thereof;  
FIG. 4 is a third side view thereof;  
FIG. 5 is a fourth, opposite side view thereof;  
FIG. 6 is a top view thereof;  
FIG. 7 is a bottom view thereof;  
FIG. 8 is a top perspective view of a portable lamp according to another embodiment of our design;  
FIG. 9 is a first side view of the embodiment of FIG. 8;  
FIG. 10 is a second, opposite side view thereof;  
FIG. 11 is a third side view thereof;  
FIG. 12 is a fourth, opposite side view thereof;  
FIG. 13 is a top view thereof; and,  
FIG. 14 is a bottom view thereof.  
The broken line shown in FIGS. 7 and 14 are for environmental purposes only and forms no part of the claimed design.

**1 Claim, 14 Drawing Sheets**



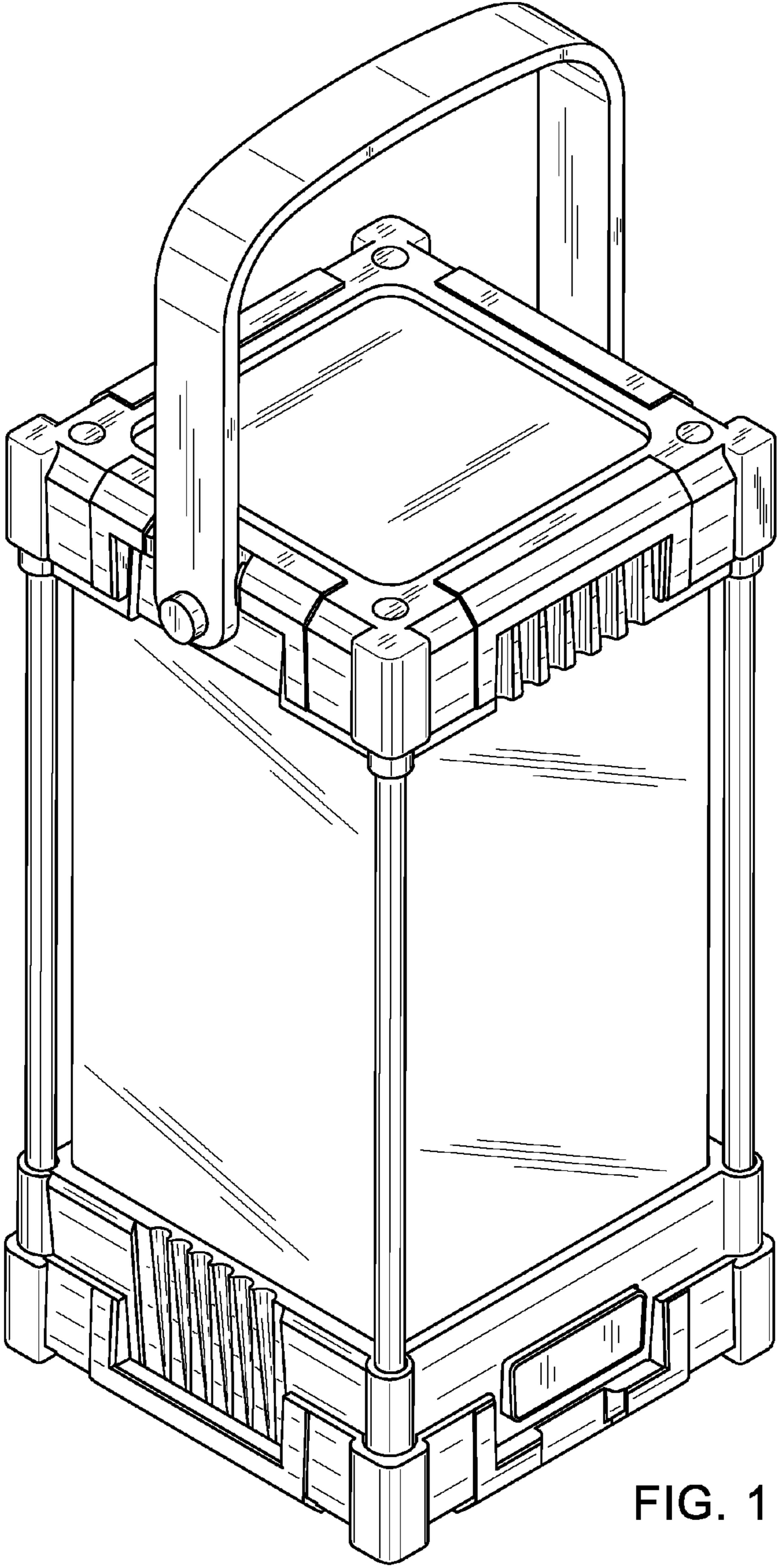


FIG. 1

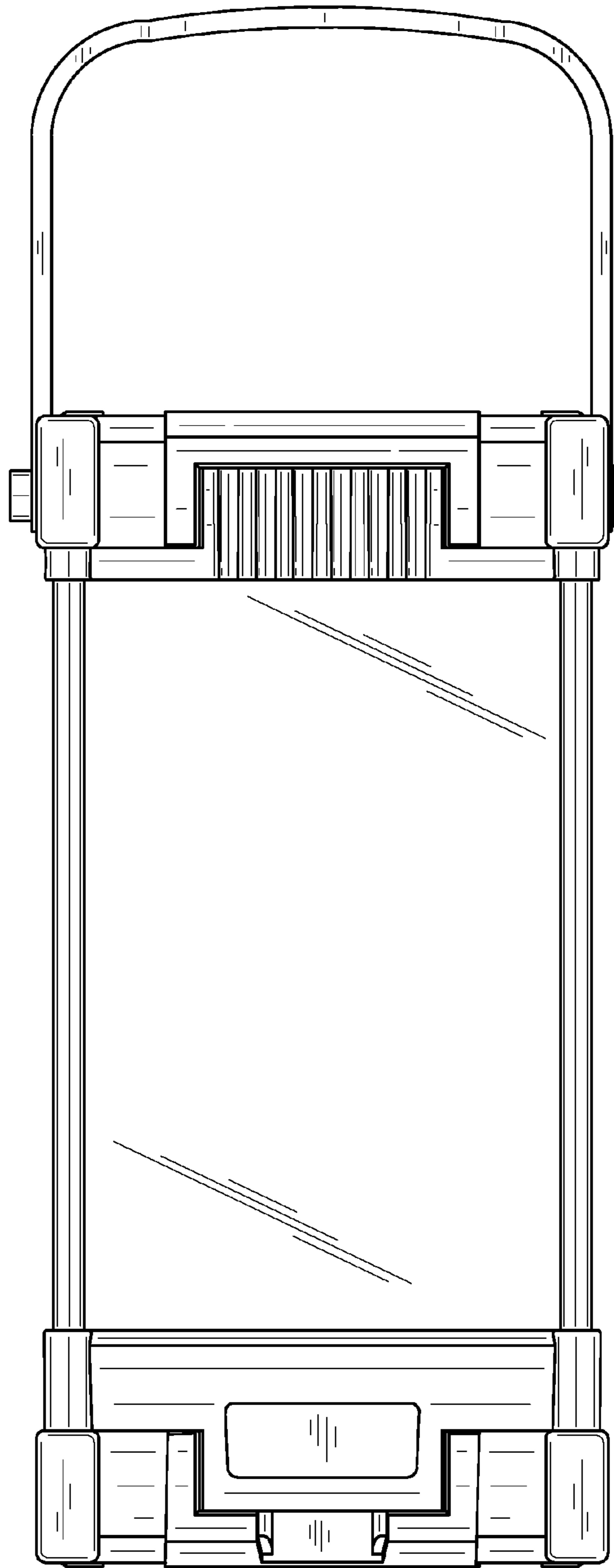


FIG. 2

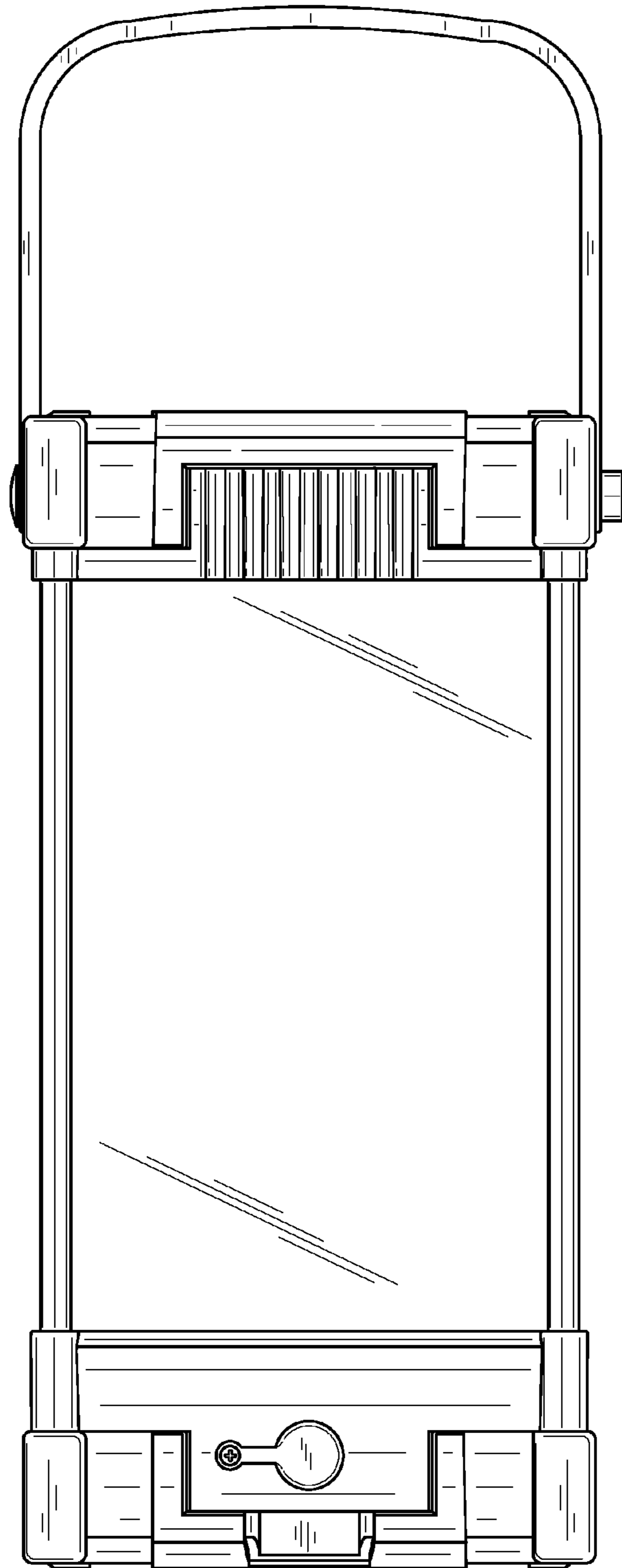


FIG. 3

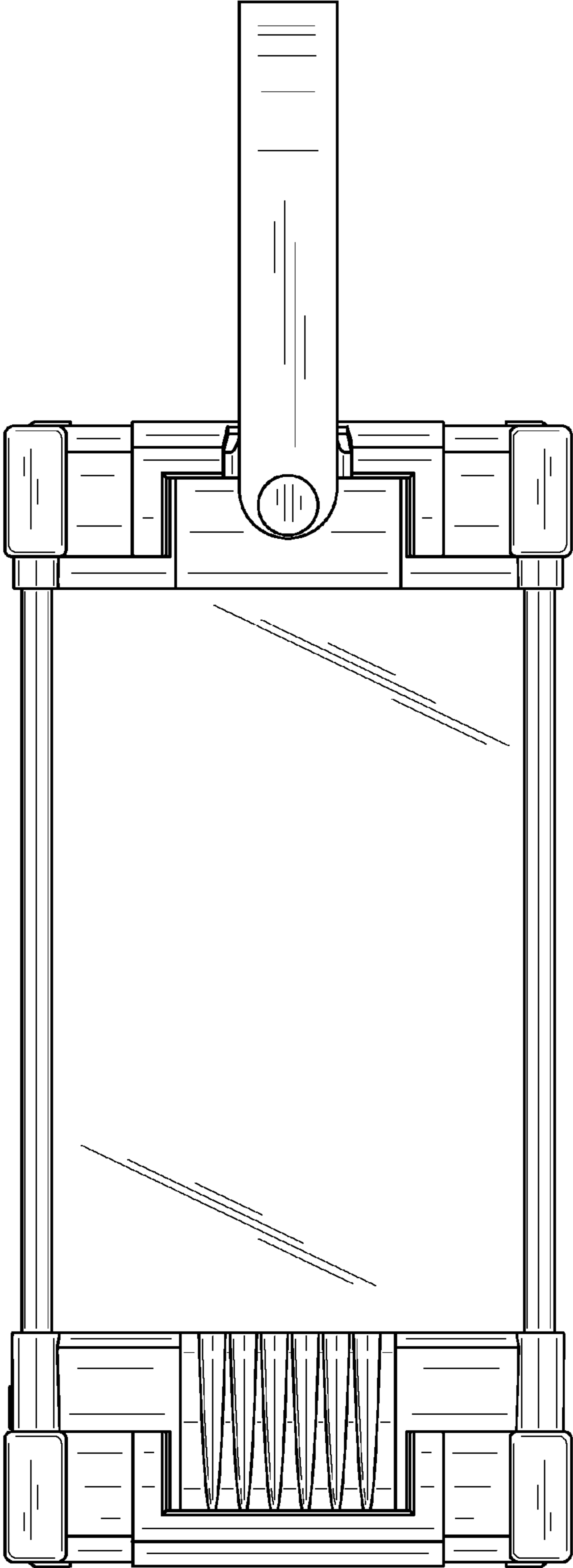


FIG. 4

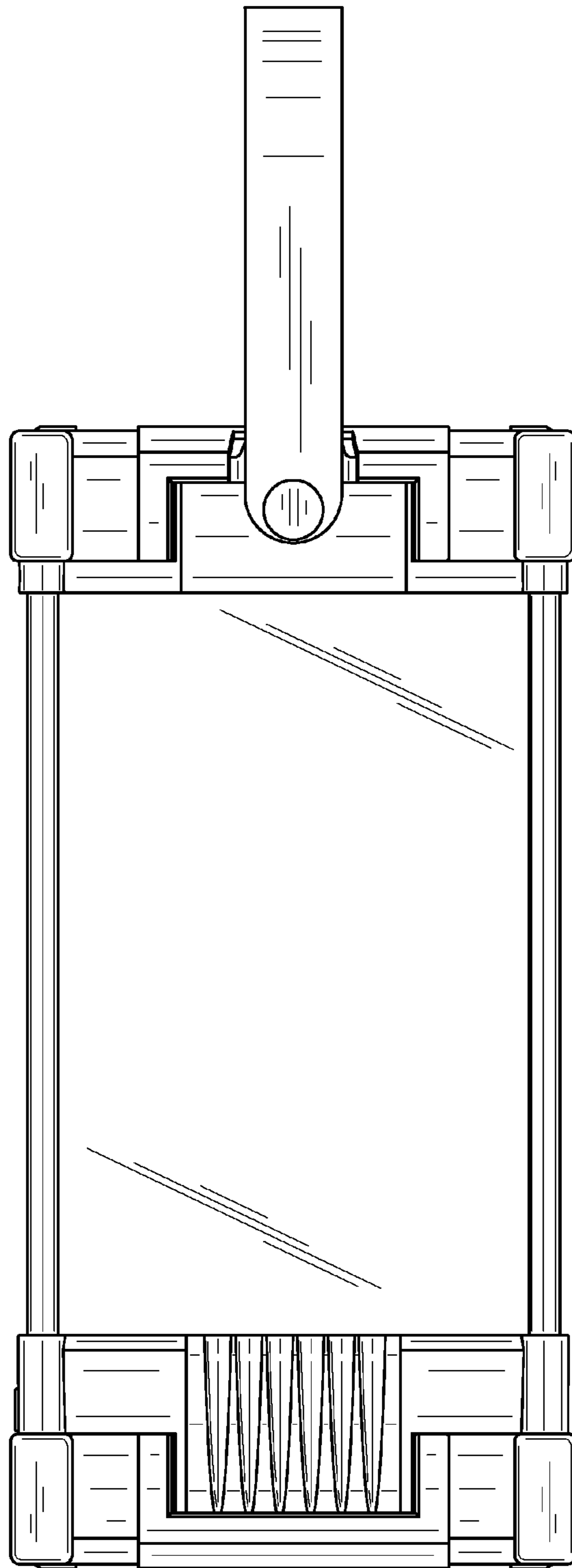


FIG. 5

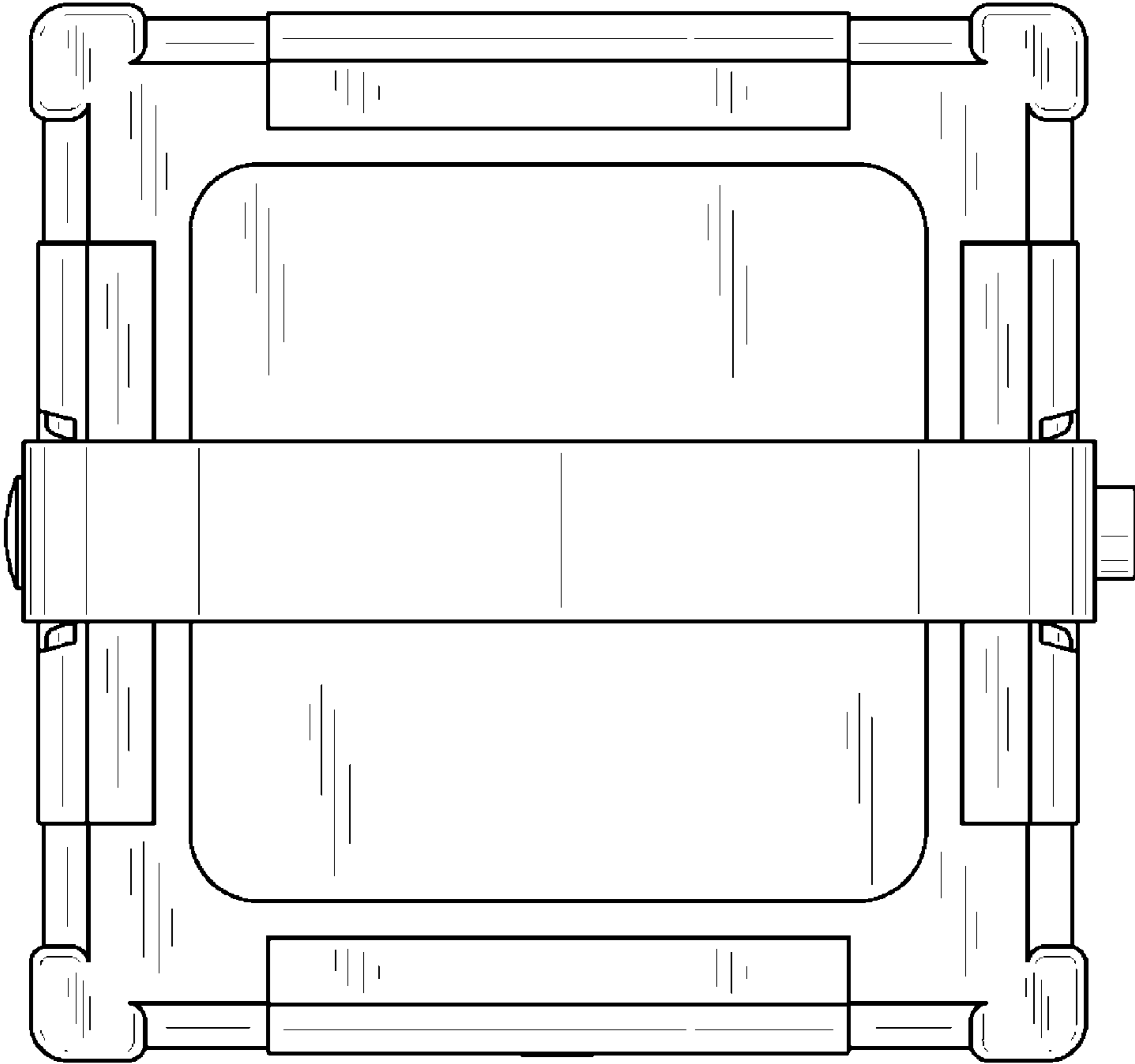


FIG. 6

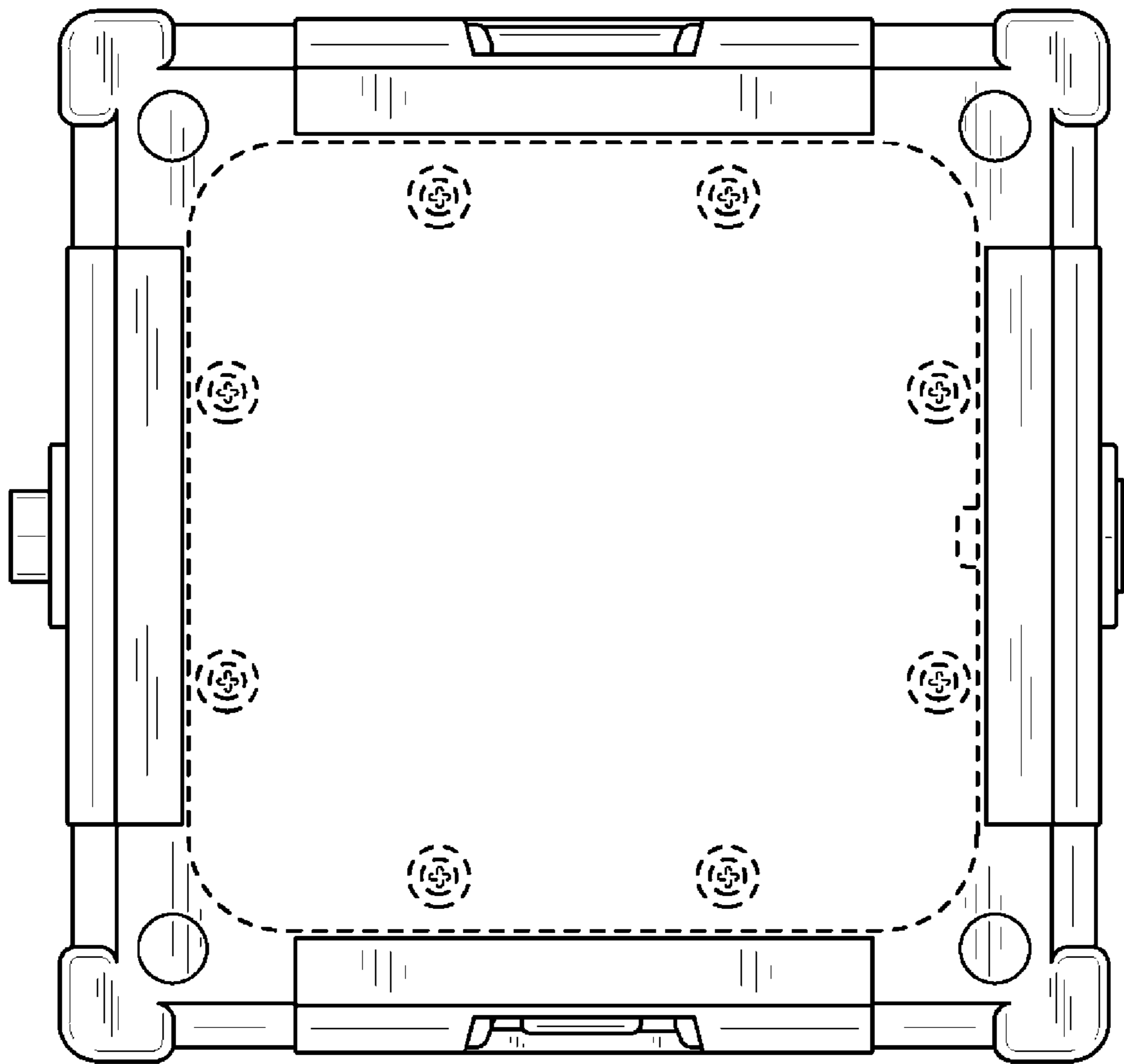


FIG. 7



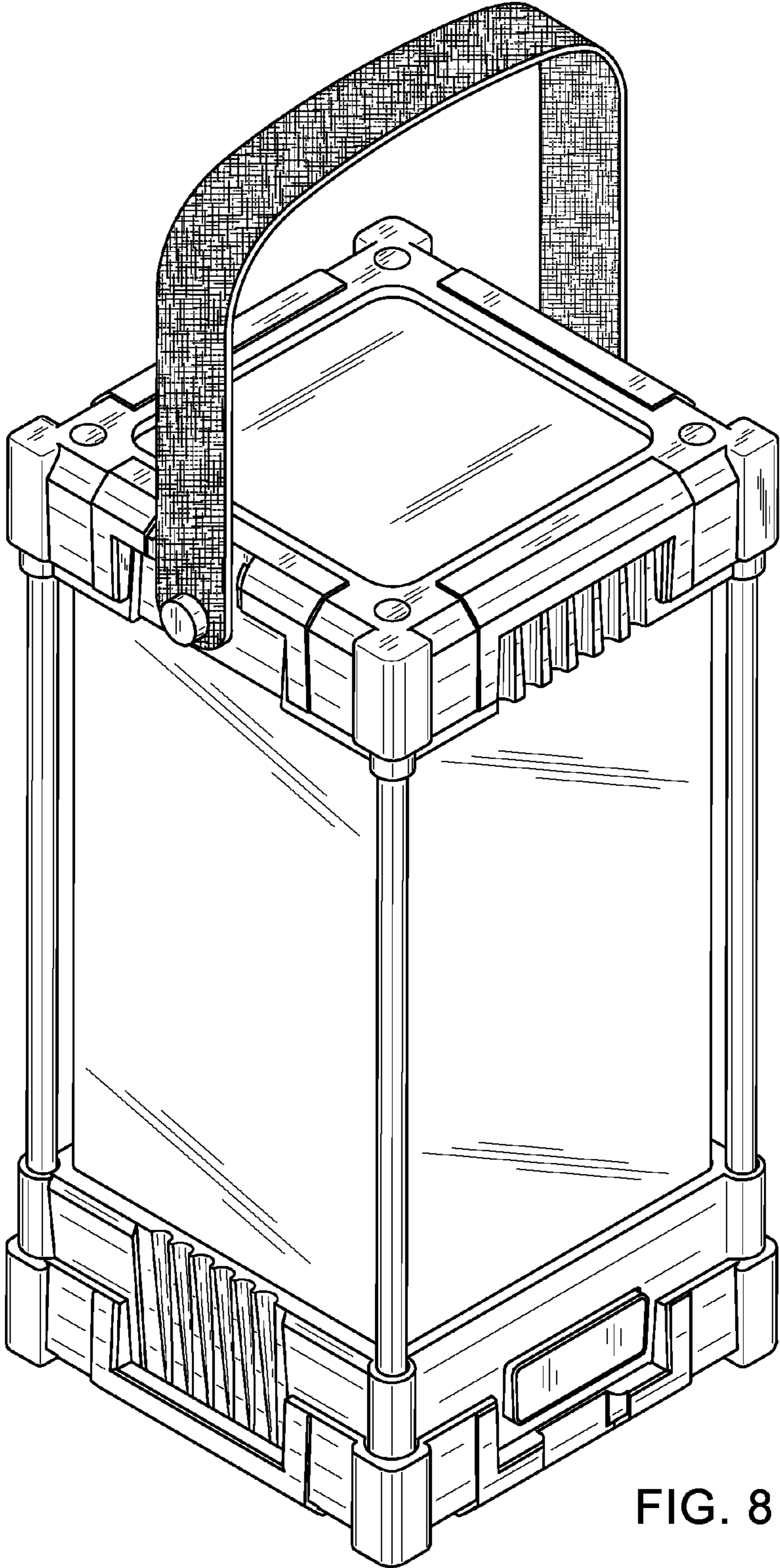


FIG. 8

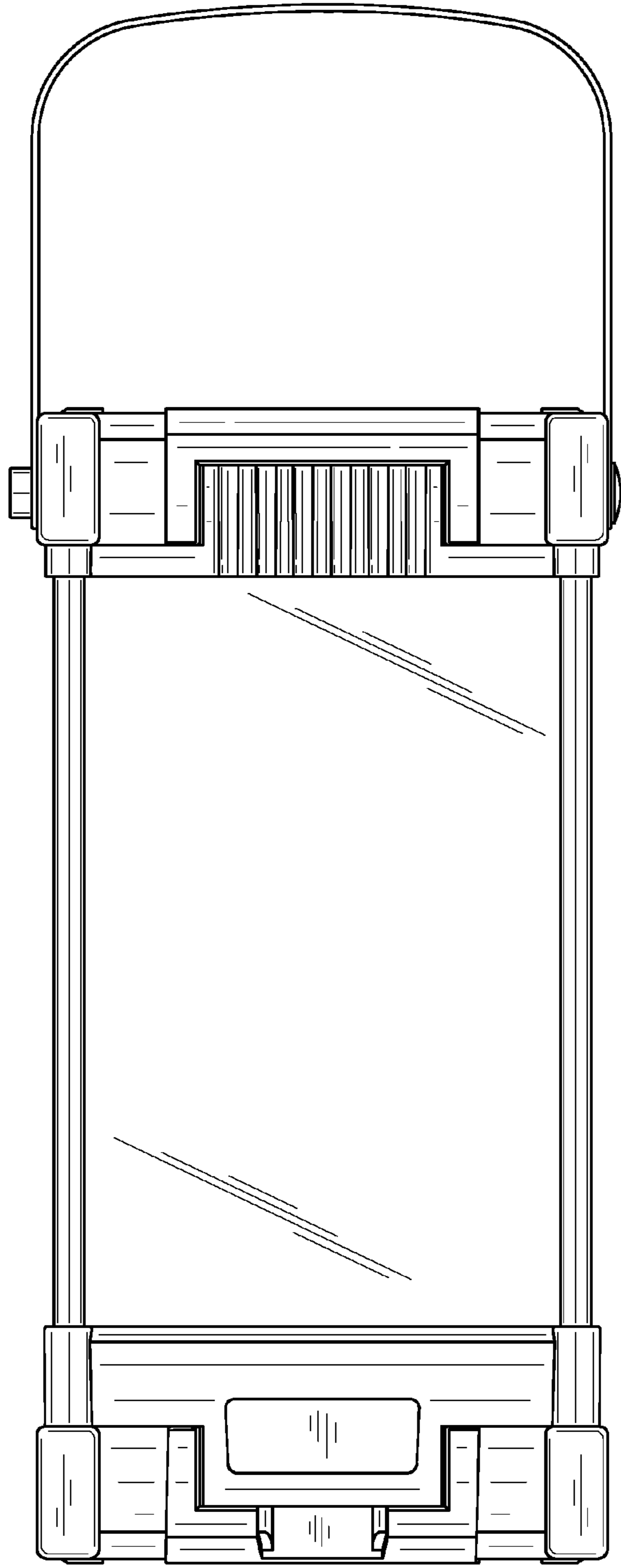


FIG. 9

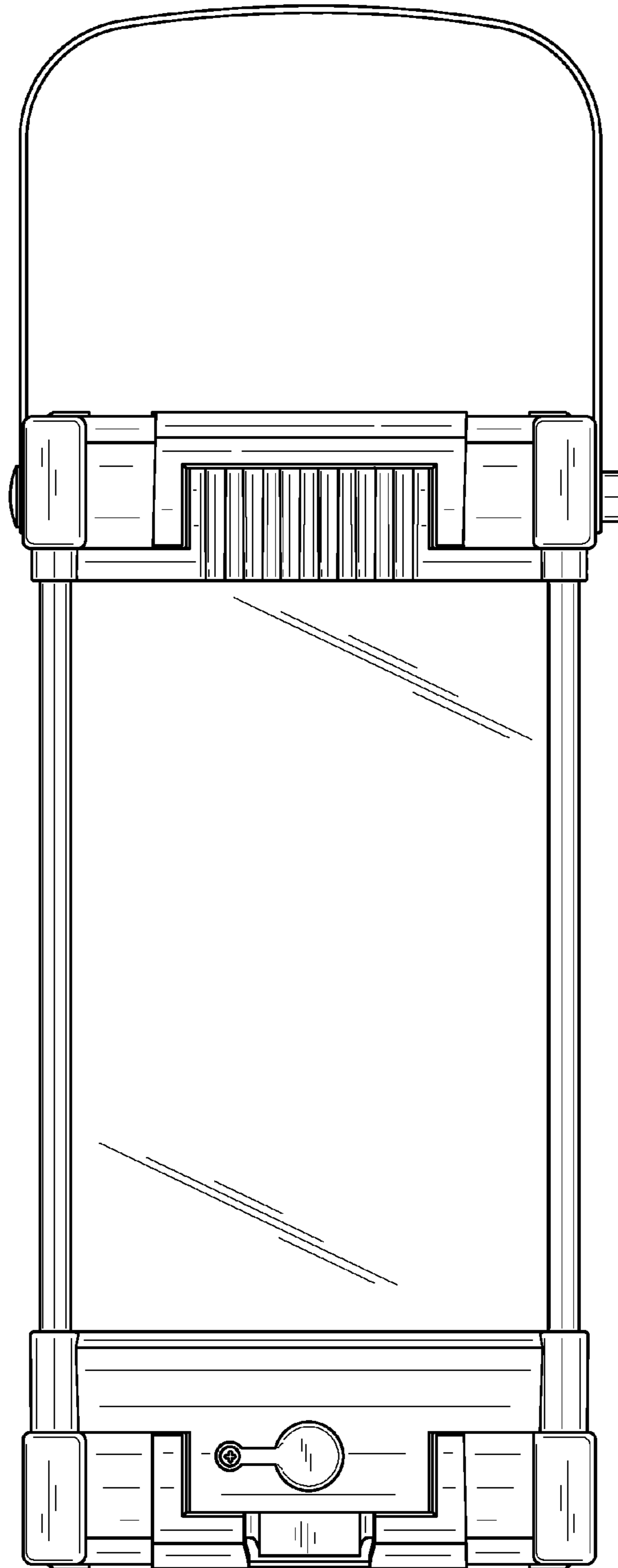


FIG. 10

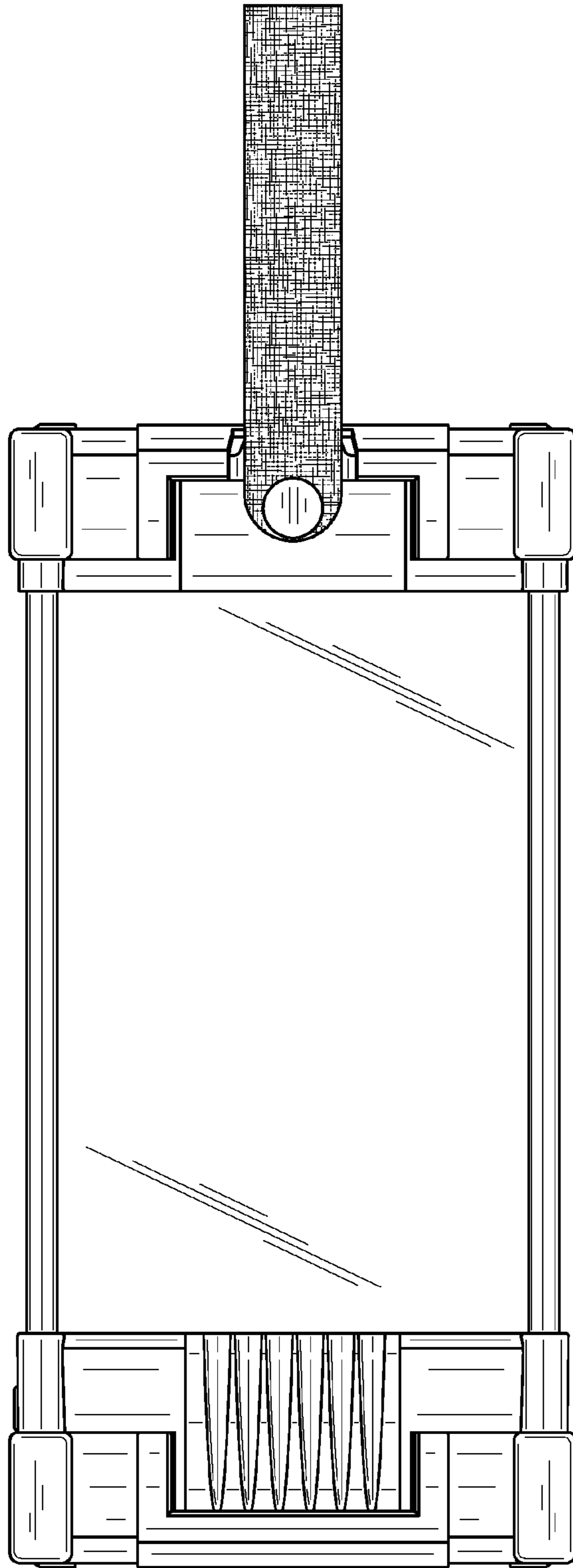


FIG. 11

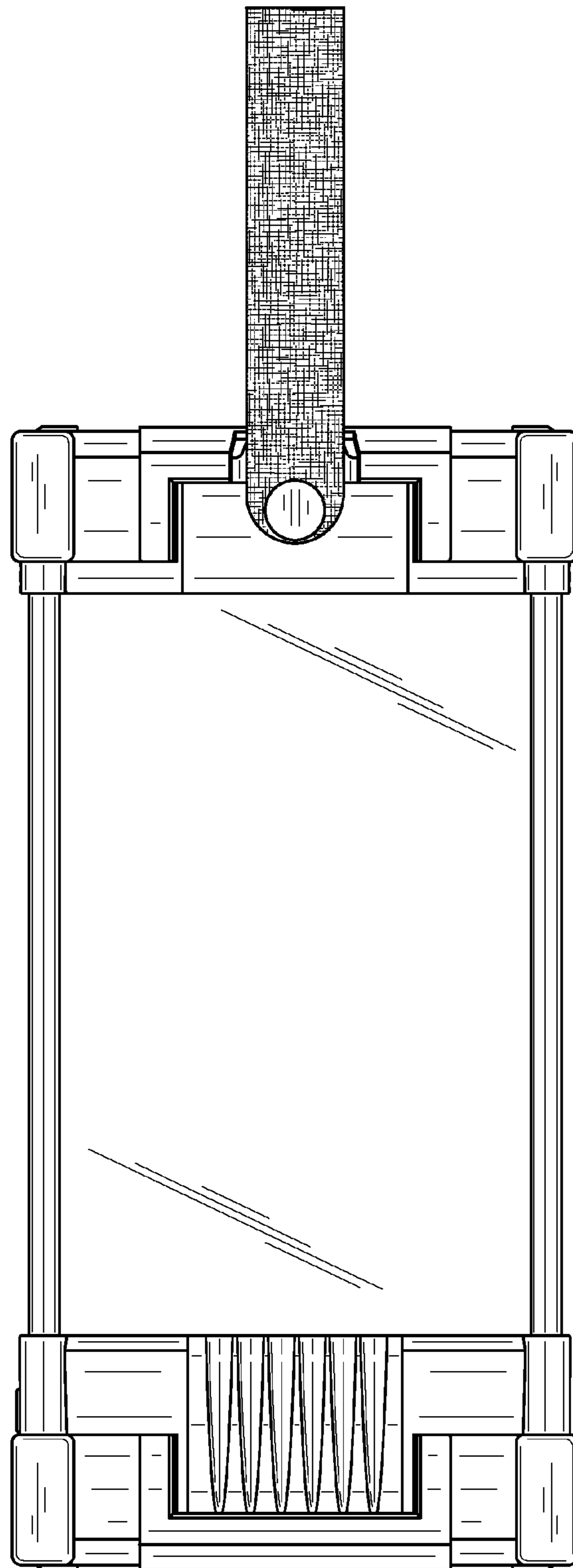


FIG. 12

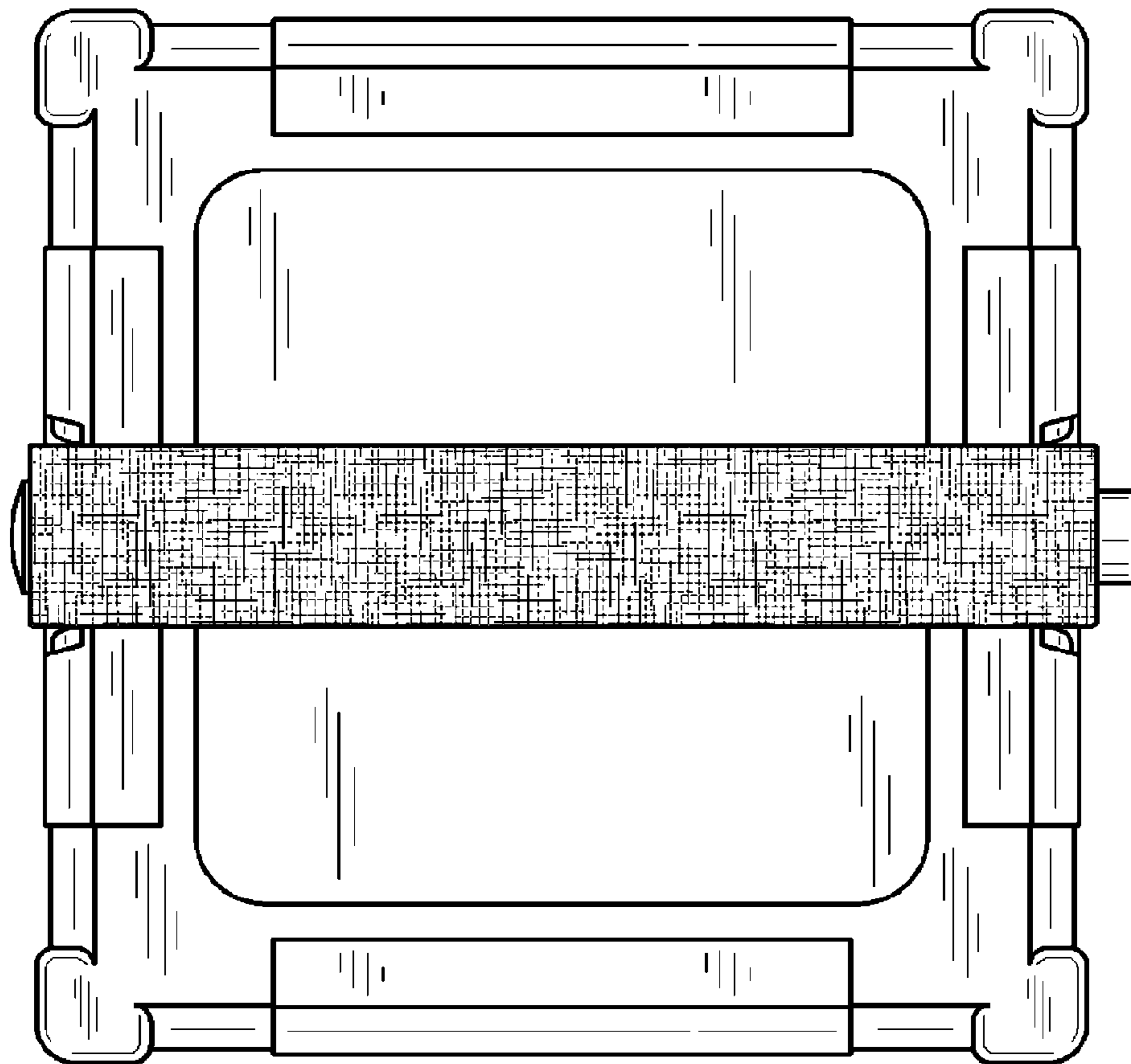


FIG. 13

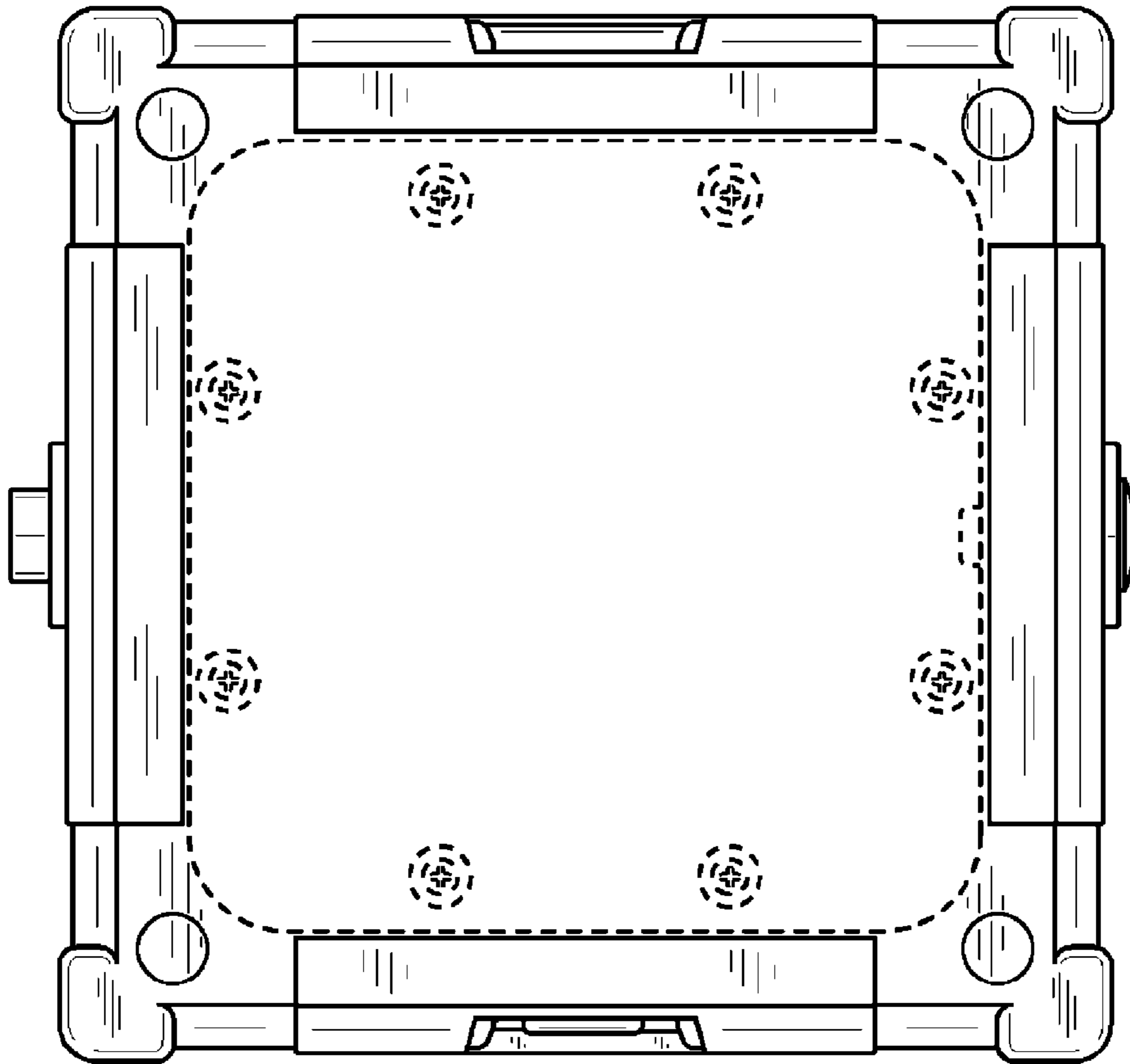


FIG. 14