



US00D706966S

(12) **United States Design Patent**
Lai

(10) **Patent No.:** **US D706,966 S**
(45) **Date of Patent:** **** Jun. 10, 2014**

(54) **LIGHT GUIDE BAR FOR VEHICLE LAMP**

(75) Inventor: **Ching-Tsung Lai**, Tainan (TW)

(73) Assignee: **Litek Enterprise Co., Ltd.**, Tainan (TW)

(**) Term: **14 Years**

(21) Appl. No.: **29/417,089**

(22) Filed: **Mar. 29, 2012**

(51) **LOC (10) Cl.** **26-06**

(52) **U.S. Cl.**
USPC **D26/35**

(58) **Field of Classification Search**
USPC D10/114.4; 26/28-36; 362/459-468,
362/475-478, 485-487

See application file for complete search history.

(56) **References Cited**

U.S. PATENT DOCUMENTS

D295,064 S *	4/1988	Hardiman et al.	D21/613
D345,331 S *	3/1994	Smith	D12/222
D449,393 S *	10/2001	Yamamoto et al.	D26/28
D469,196 S *	1/2003	Ohsawa et al.	D26/35

* cited by examiner

Primary Examiner — Marcus Jackson
(74) *Attorney, Agent, or Firm* — WPAT, P.C.; Anthony King

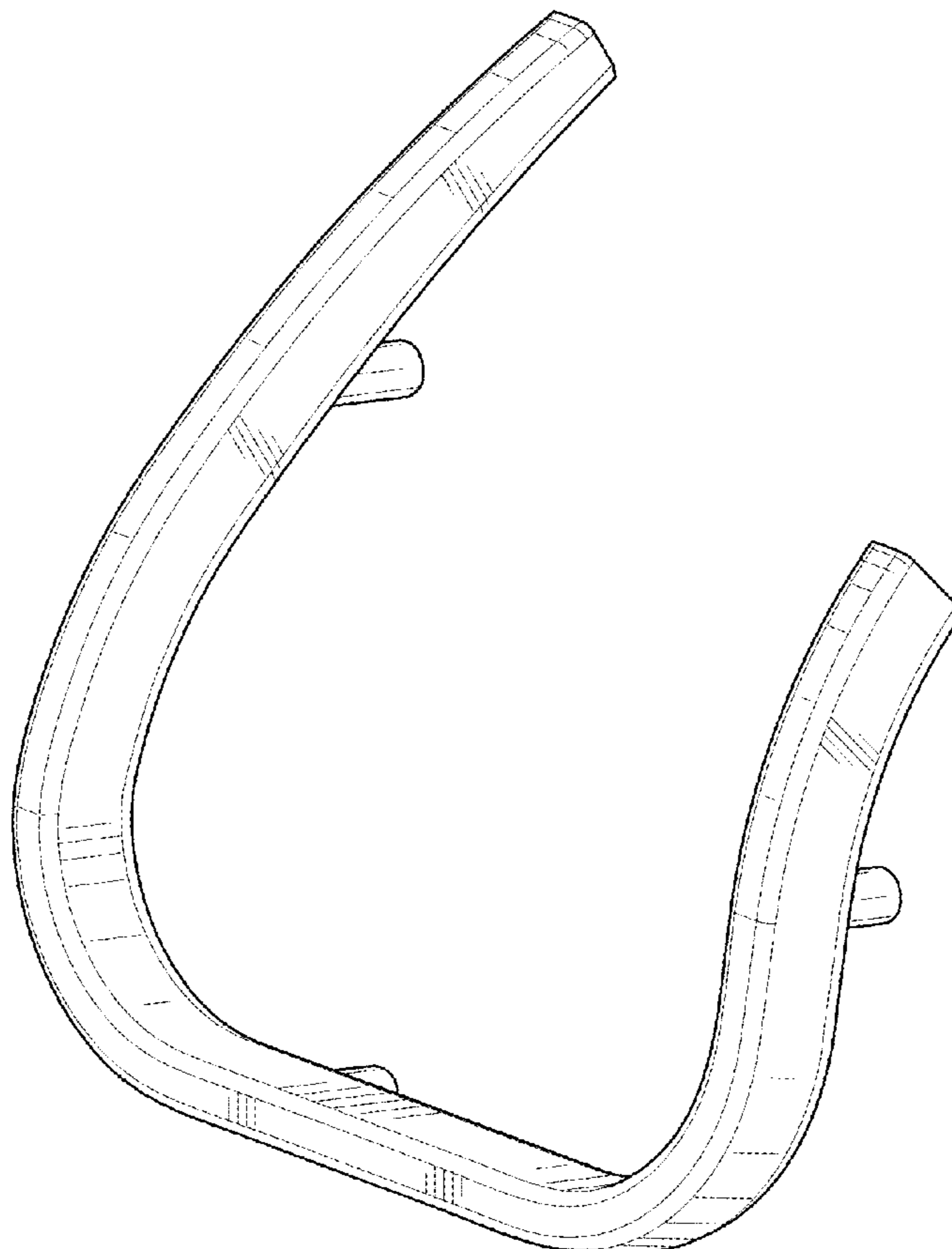
(57) **CLAIM**

I claim, the ornamental design for a light guide bar for a vehicle lamp, as shown and described.

DESCRIPTION

FIG. 1 is a perspective view of a light guide bar for a vehicle lamp showing my present design;
FIG. 2 is a front view thereof;
FIG. 3 is a rear view thereof;
FIG. 4 is a left view thereof;
FIG. 5 is a right view thereof;
FIG. 6 is a top plan view thereof; and,
FIG. 7 is a bottom plan view thereof.

1 Claim, 4 Drawing Sheets



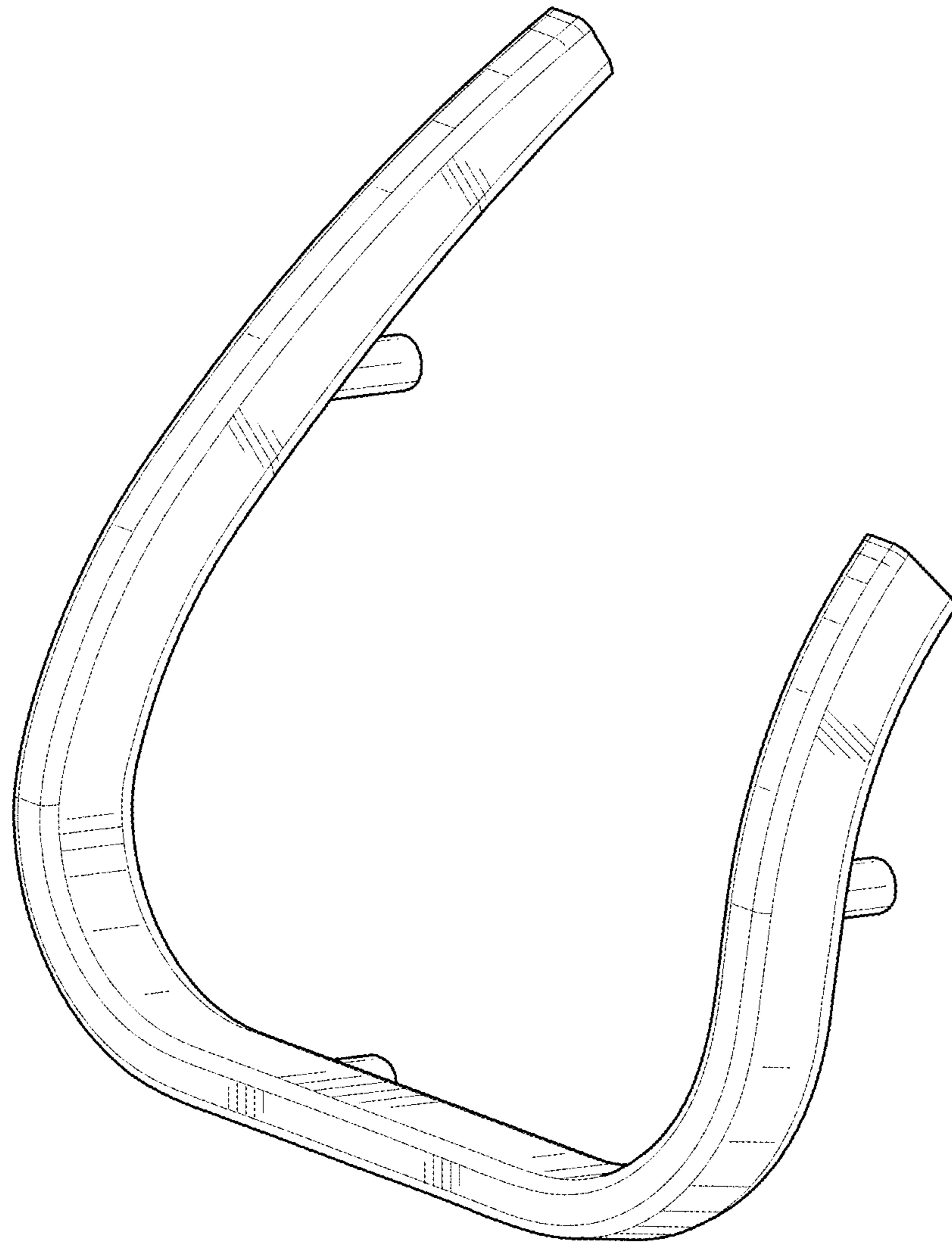


FIG . 1

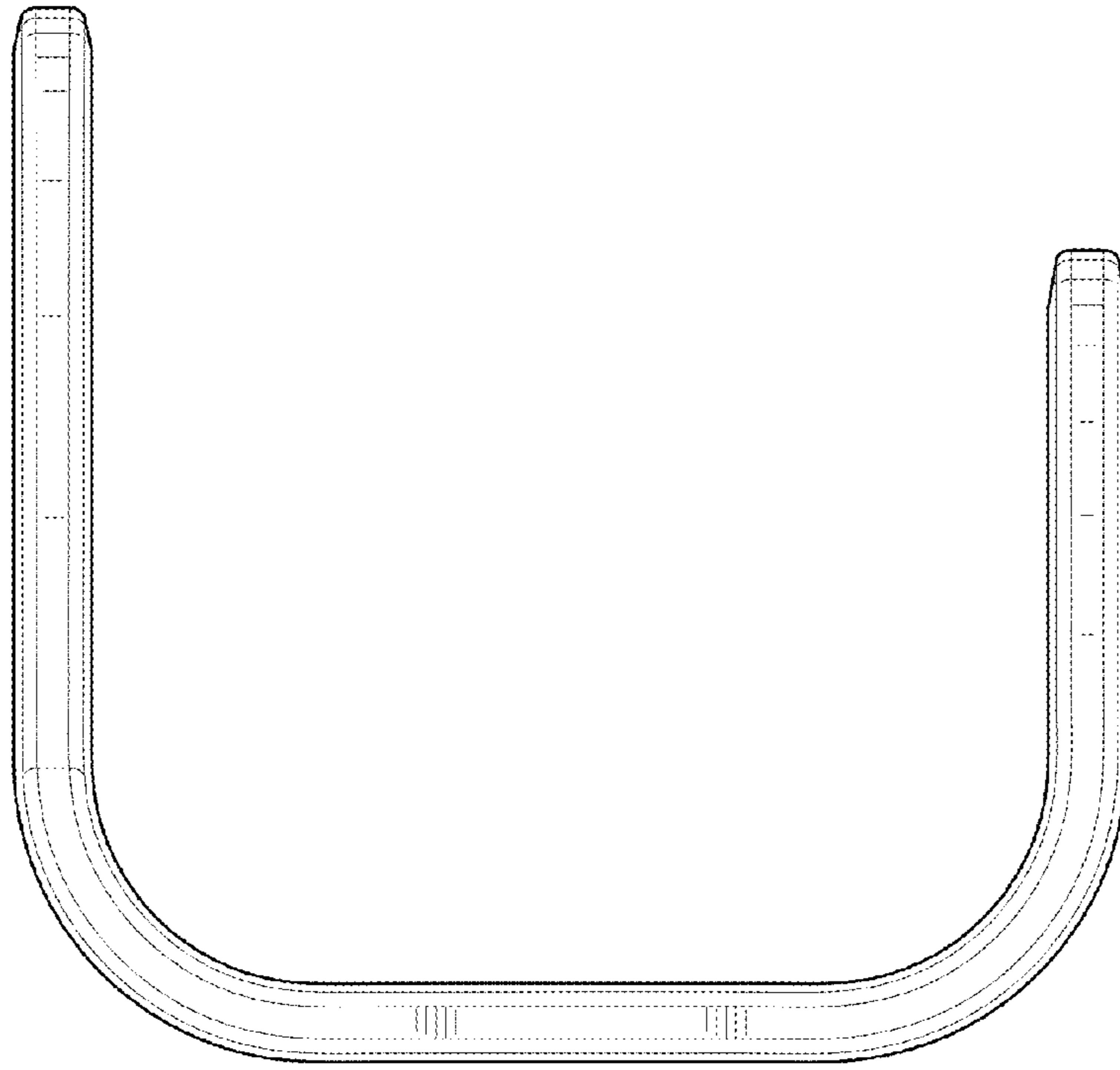


FIG. 2

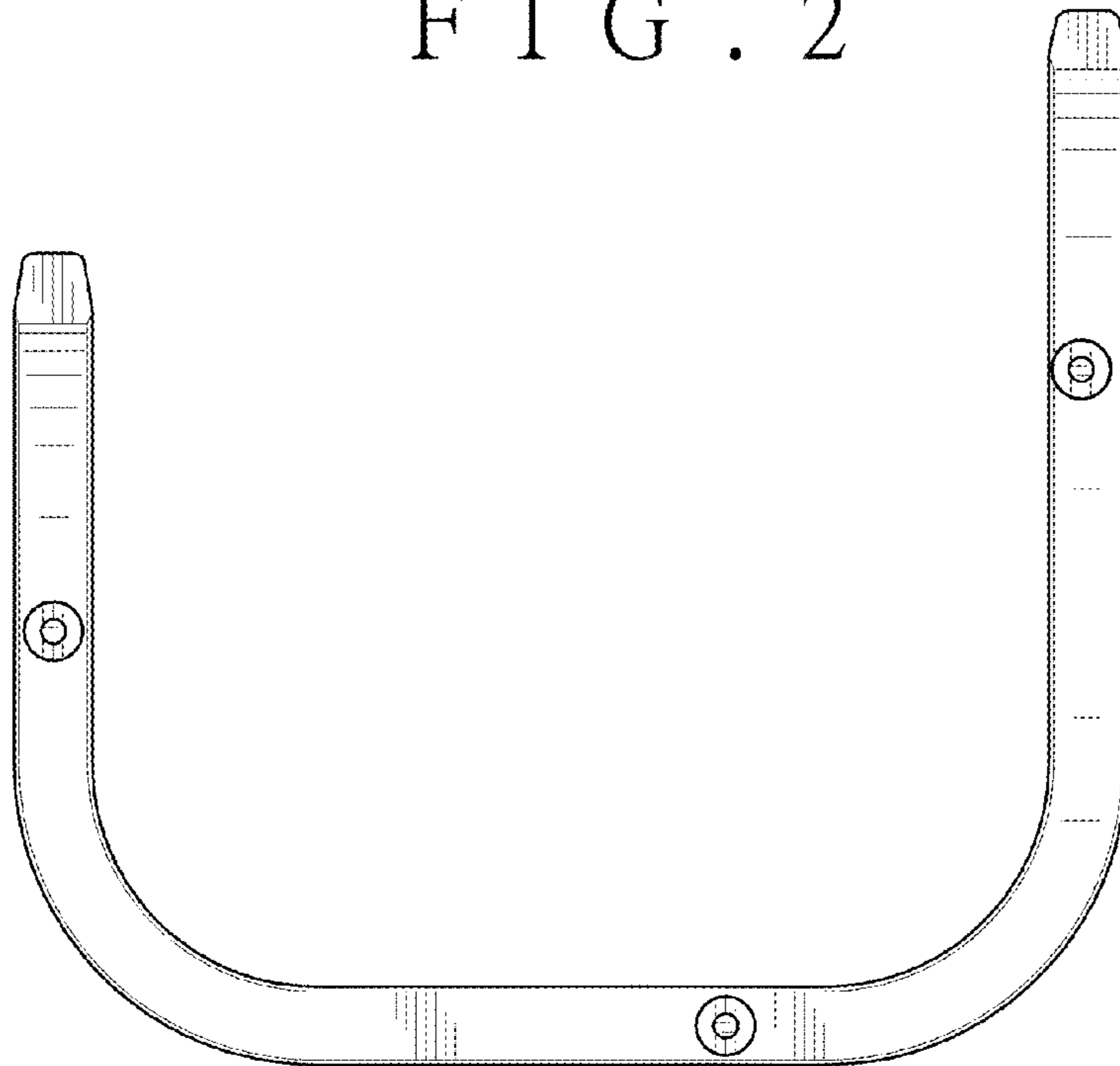


FIG. 3

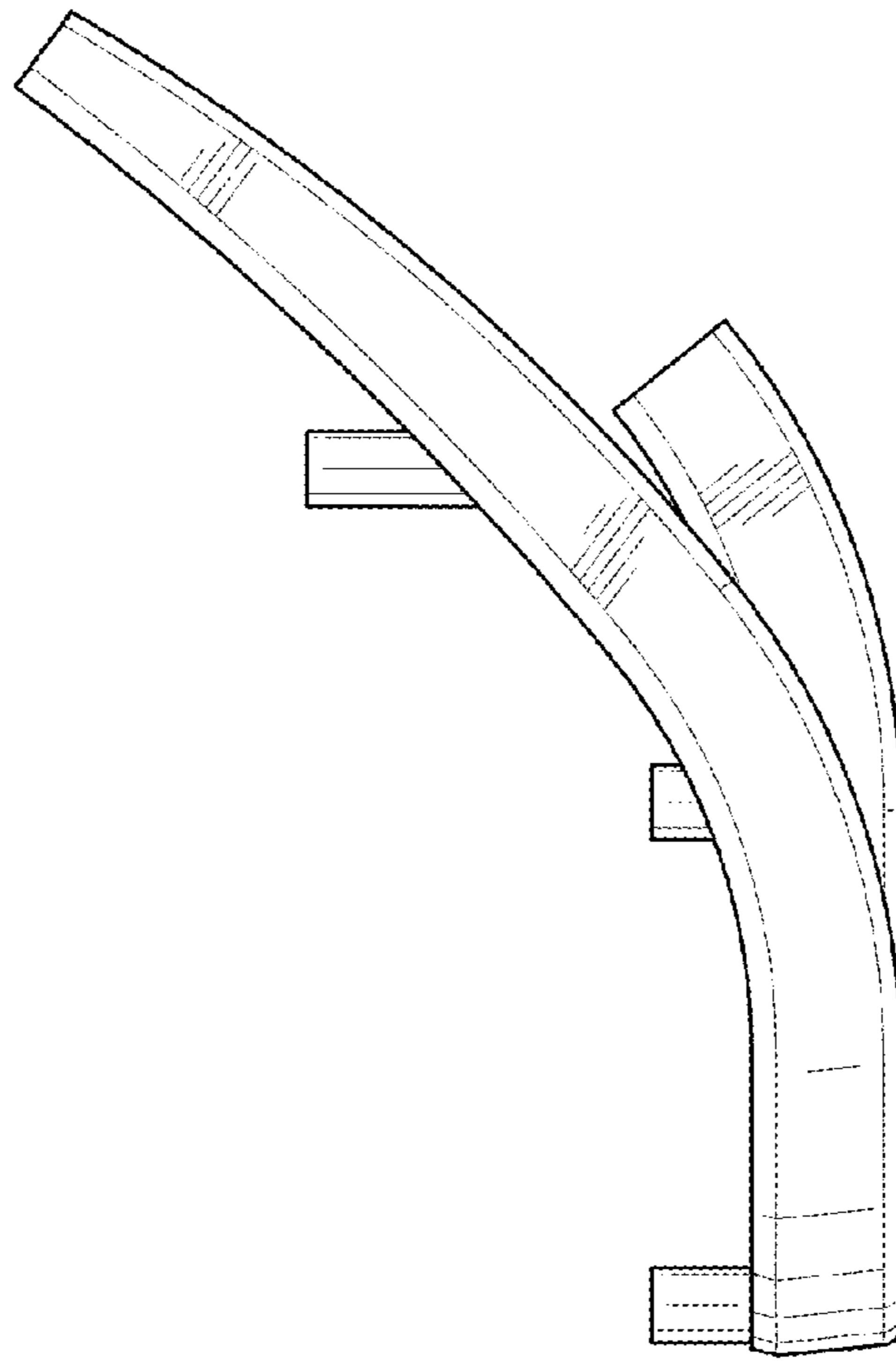


FIG. 4

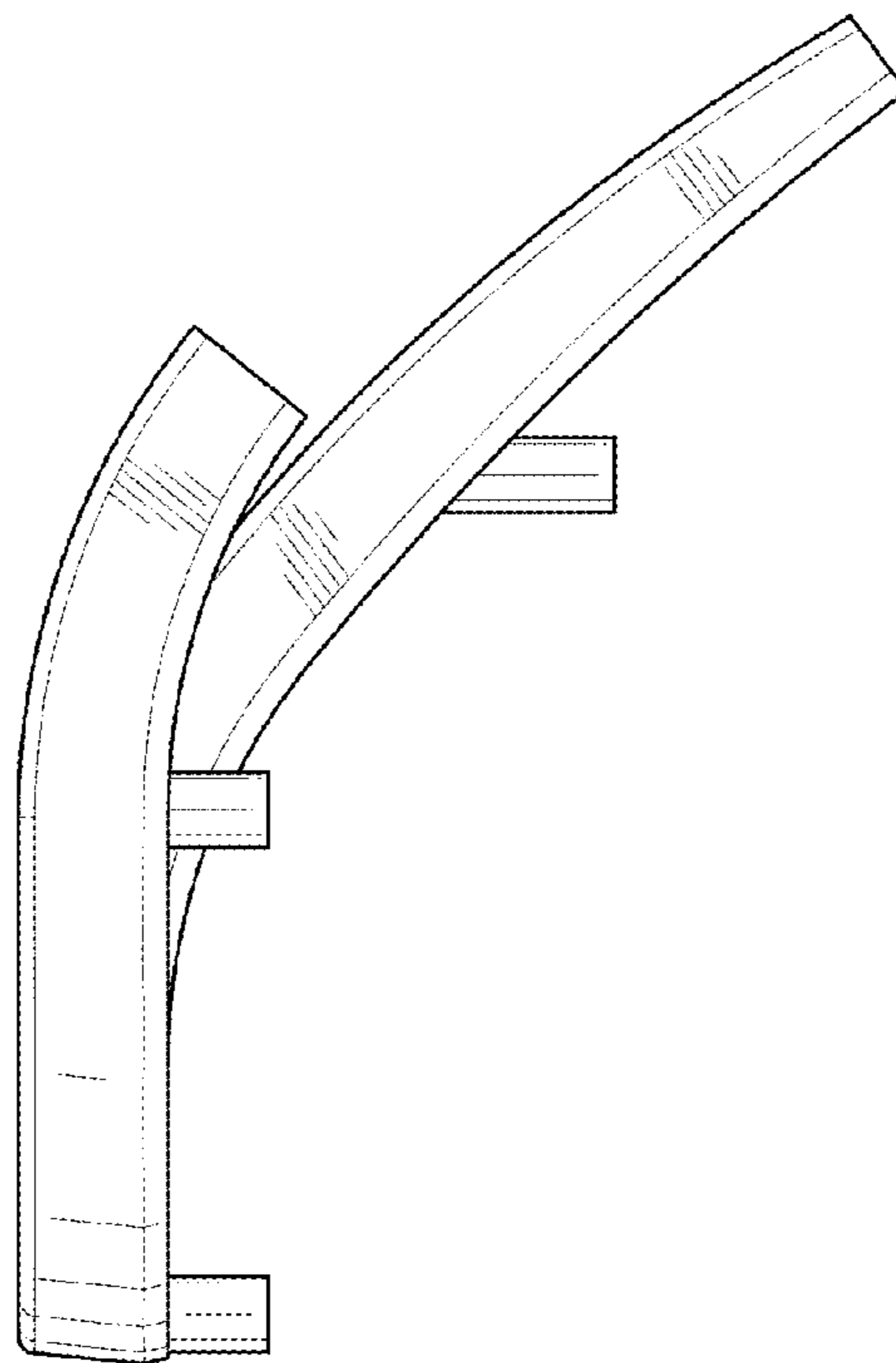


FIG. 5

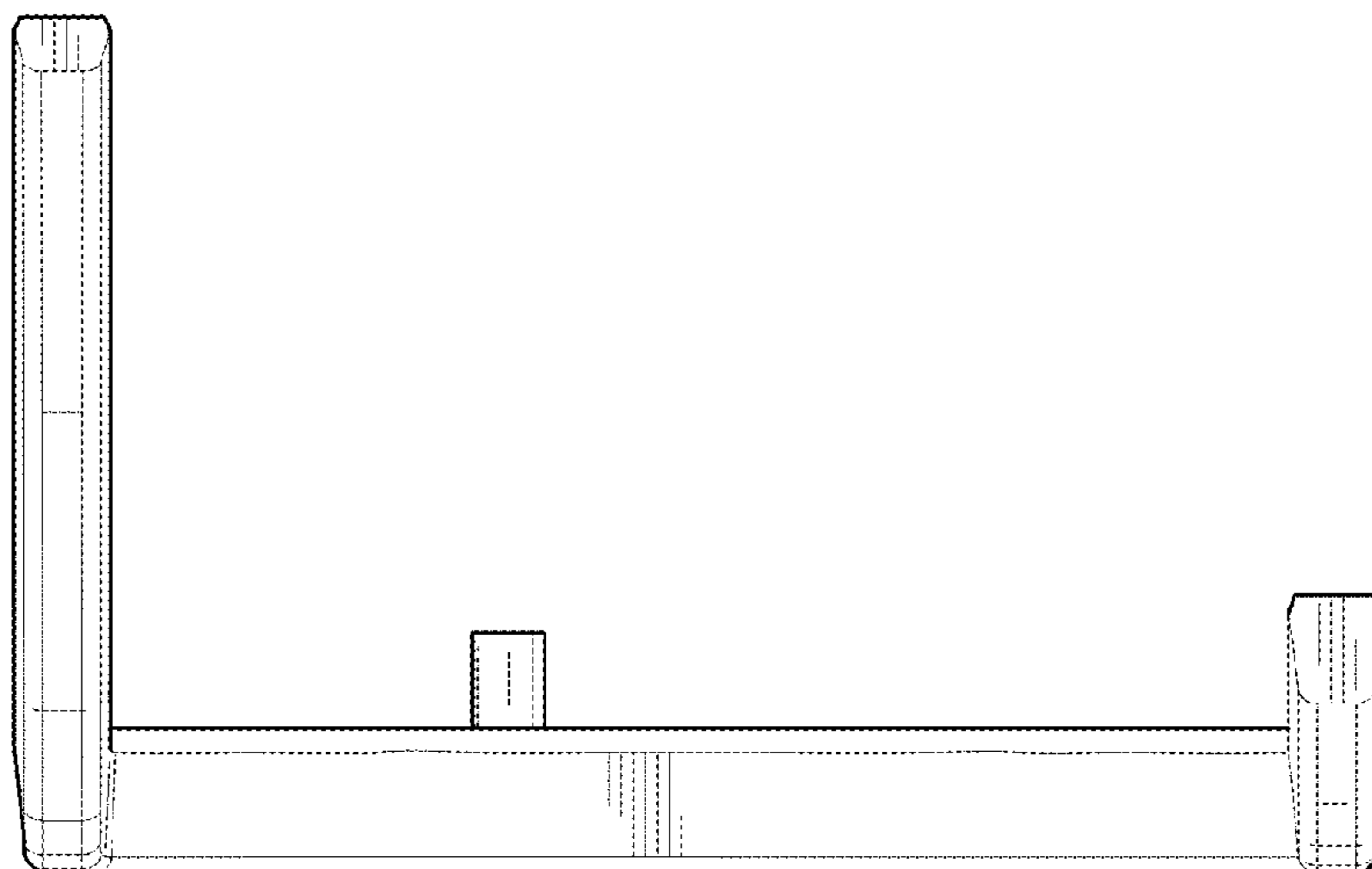


FIG. 6

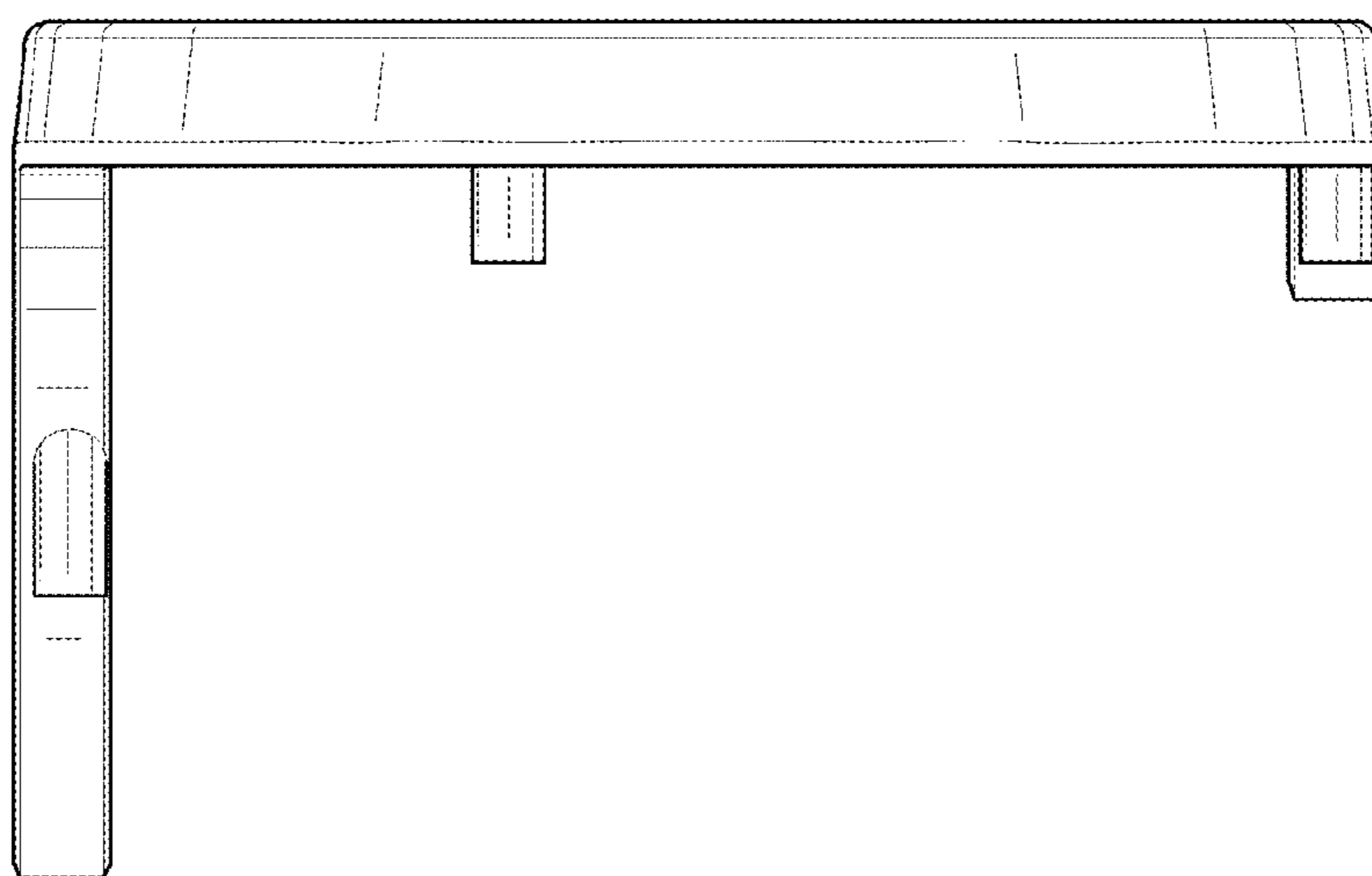


FIG. 7