



US00D706963S

(12) **United States Design Patent**
Thompson

(10) **Patent No.:** **US D706,963 S**
(45) **Date of Patent:** **** Jun. 10, 2014**

- (54) **FLAMELESS CANDLE**
- (71) Applicant: **Candella LLC**, Orange, CA (US)
- (72) Inventor: **Jeff Thompson**, Huntington Beach, CA (US)
- (73) Assignee: **Candella, LLC**, Orange, CA (US)
- (**) Term: **14 Years**
- (21) Appl. No.: **29/435,316**
- (22) Filed: **Oct. 23, 2012**
- (51) **LOC (10) Cl.** **26-04**
- (52) **U.S. Cl.**
USPC **D26/4**
- (58) **Field of Classification Search**
USPC D26/1-5; 313/313, 315, 316, 317, 318,
313/493; 315/52, 53, 56, 57, 58
See application file for complete search history.

2004/0037069 A1 2/2004 Blackbourn
 2005/0254248 A1 11/2005 Lederer
 2010/0124050 A1 5/2010 Hau et al.
 2011/0317403 A1 12/2011 Fournier et al.

FOREIGN PATENT DOCUMENTS

CN 201053585 Y 4/2008
 CN 202024234 U 11/2011
 GB 2377327 A 1/2003

* cited by examiner

Primary Examiner — Marcus Jackson

(74) *Attorney, Agent, or Firm* — Fish & Tsang LLP

(57) **CLAIM**

The ornamental design for a flameless candle, as shown and described.

DESCRIPTION

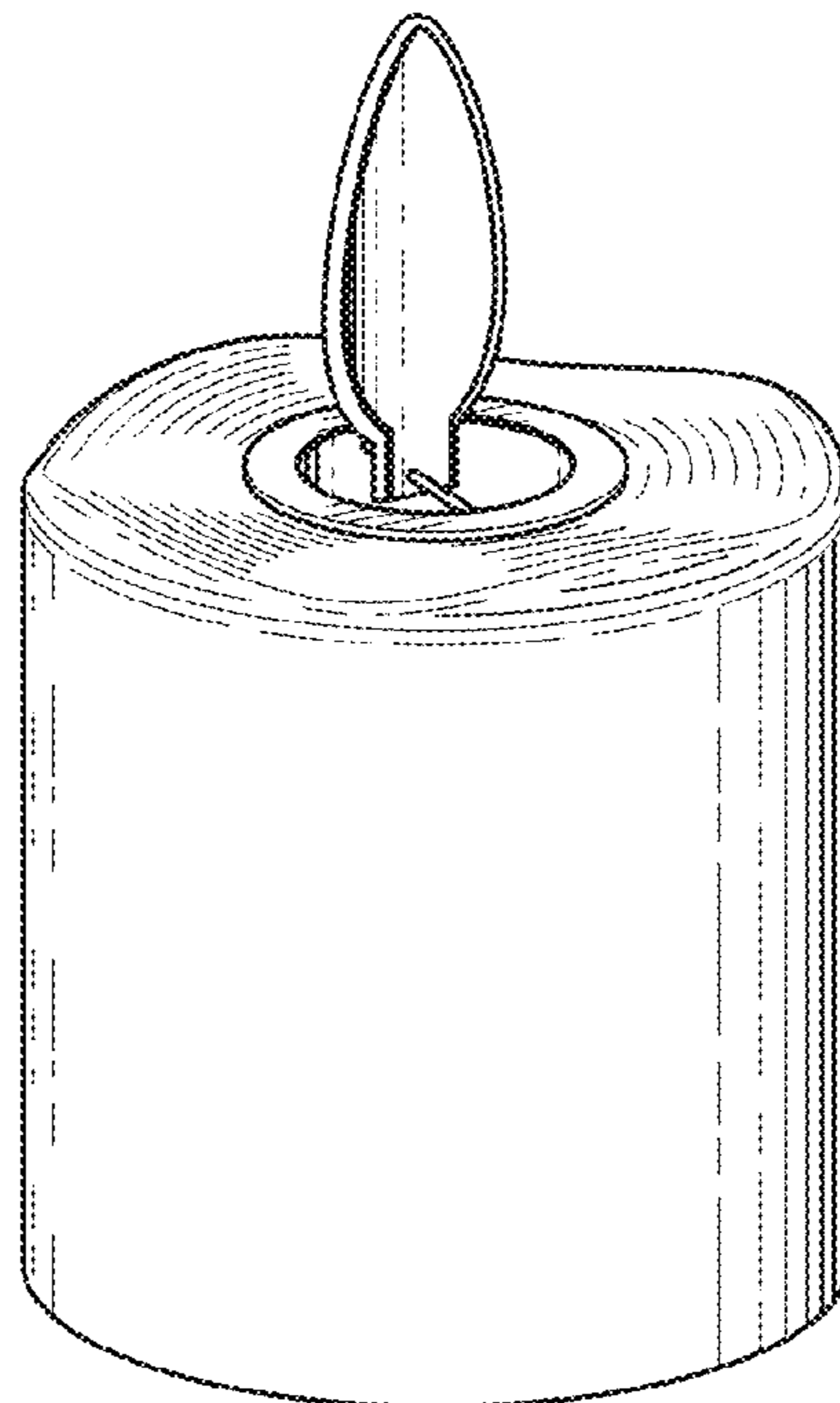
FIG. 1 is a top, front, left side perspective view of a flameless candle.
 FIG. 2 is a bottom, front, right side perspective view of the flameless candle.
 FIG. 3 is a front elevation view of the flameless candle.
 FIG. 4 is a rear elevation view of the flameless candle.
 FIG. 5 is a right side elevation view of the flameless candle (left side elevation view being a mirror image).
 FIG. 6 is a top plan view of the flameless candle; and,
 FIG. 7 is a bottom plan view of the flameless candle.

1 Claim, 2 Drawing Sheets

(56) **References Cited**

U.S. PATENT DOCUMENTS

4,764,853 A 8/1988 Thomas et al.
 D567,993 S 4/2008 Shiu
 D576,317 S * 9/2008 Jensen D26/5
 D589,176 S * 3/2009 Huang et al. D26/4
 D599,491 S * 9/2009 Luo D26/4
 7,723,899 B2 5/2010 Blandino et al.
 8,210,708 B2 7/2012 Hau et al.



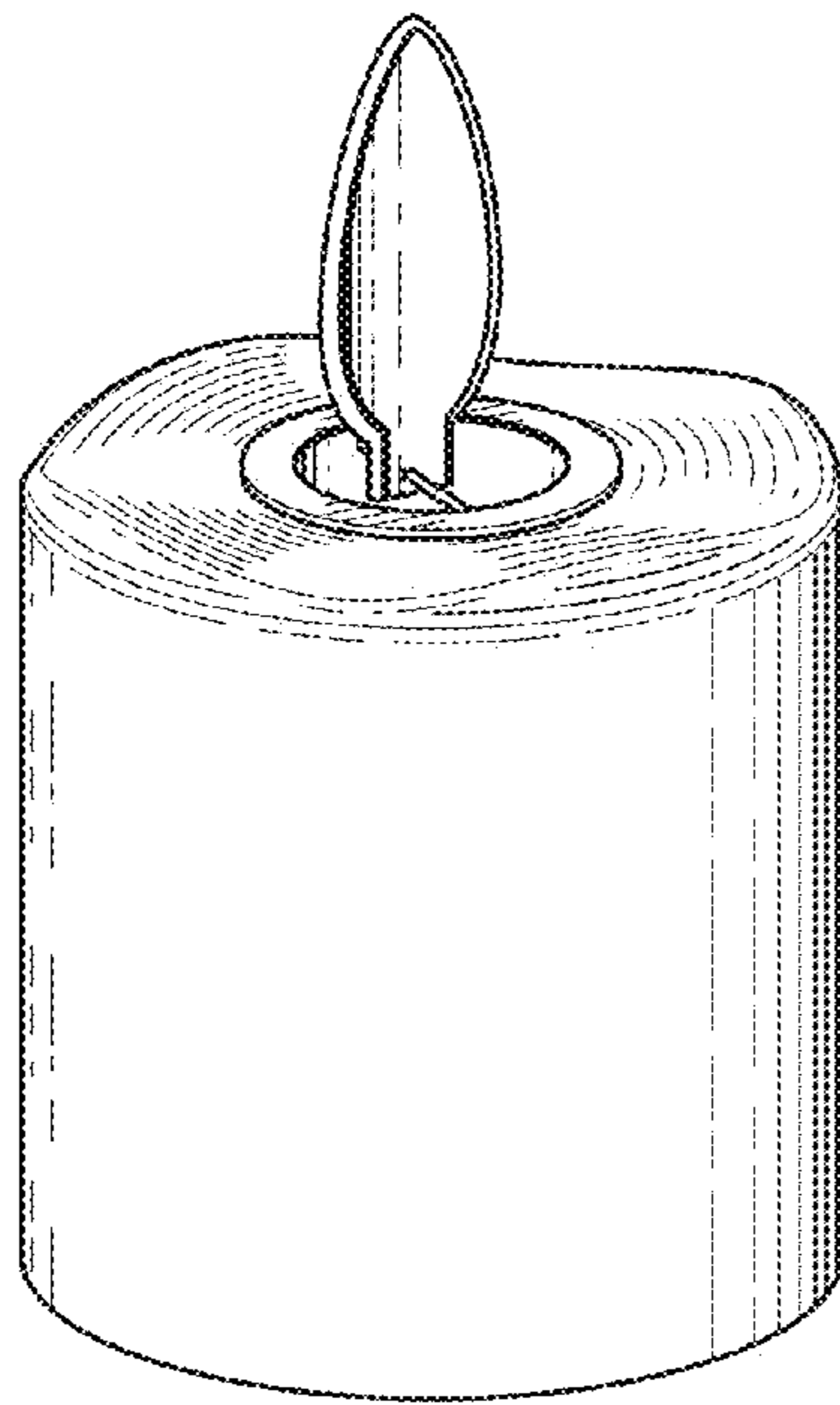


FIG. 1

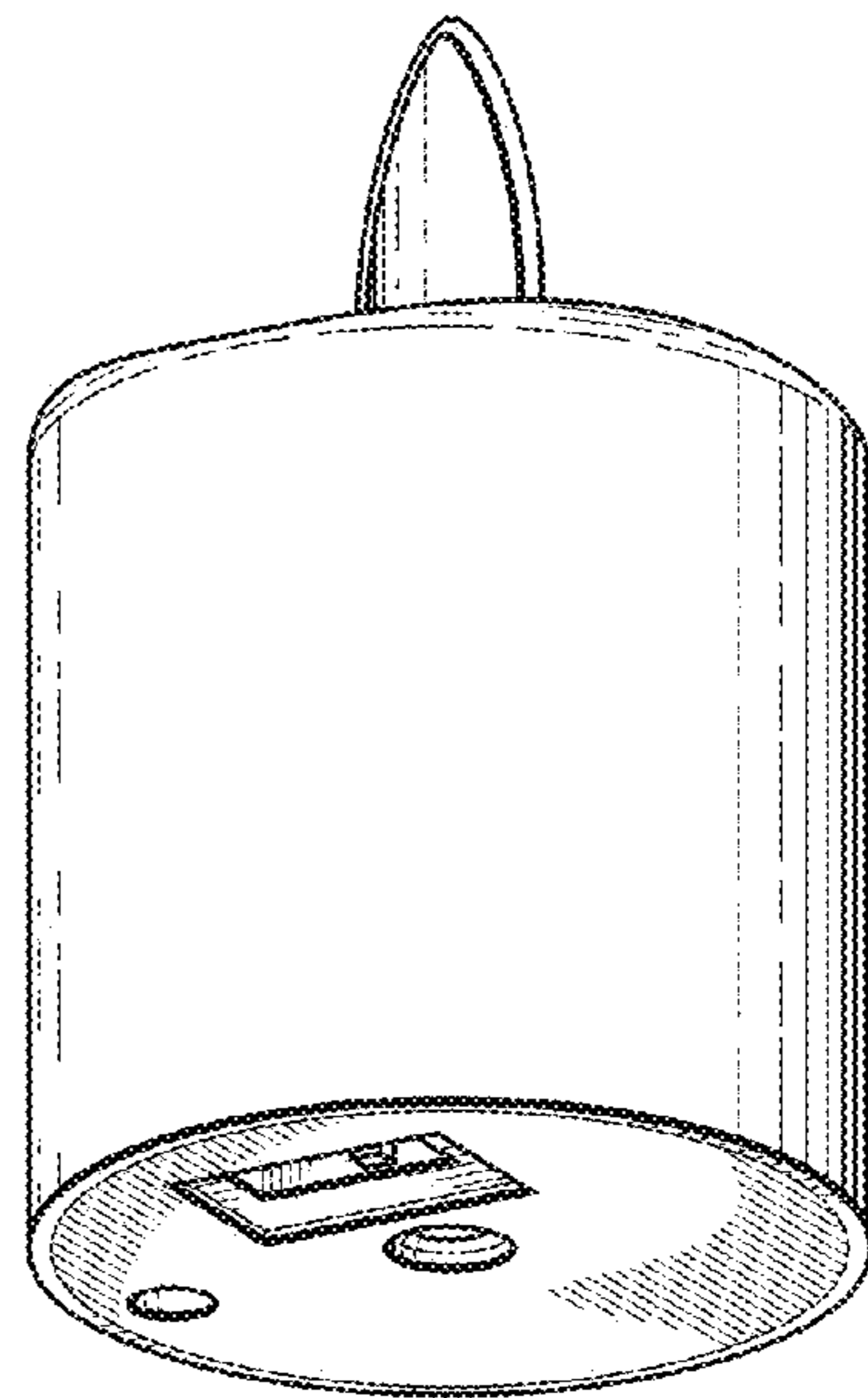


FIG. 2

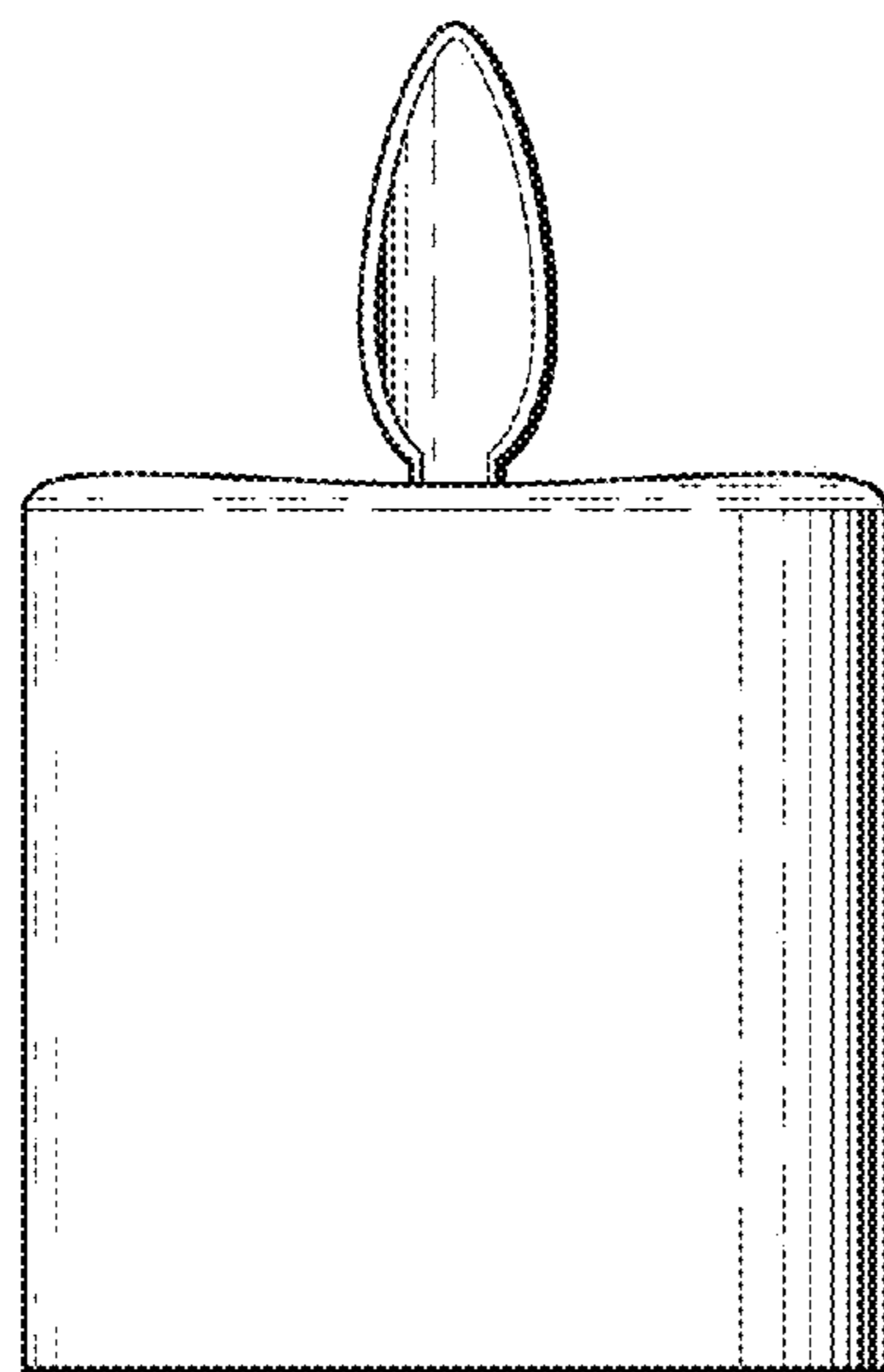


FIG. 3

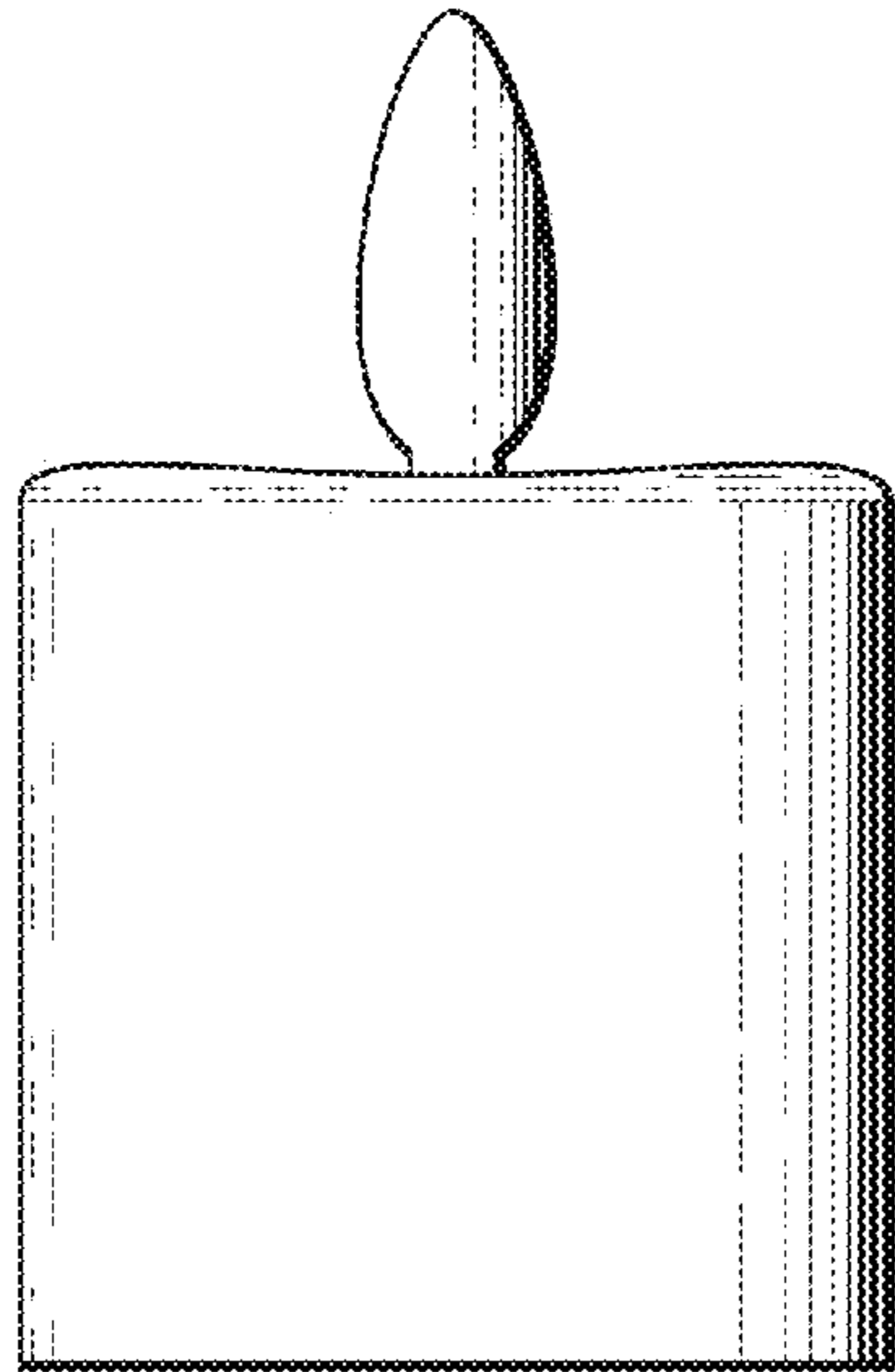


FIG. 4

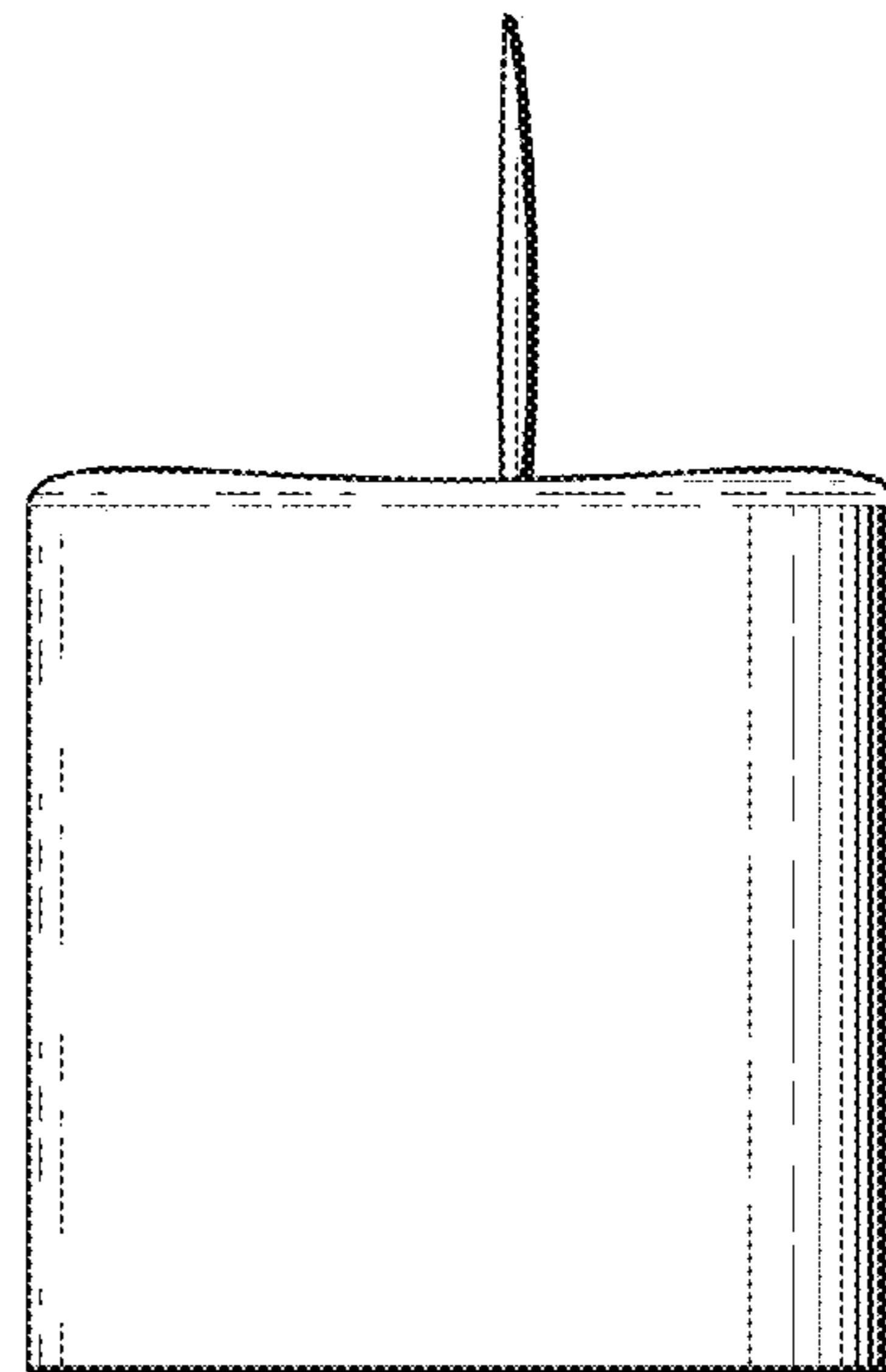


FIG. 5

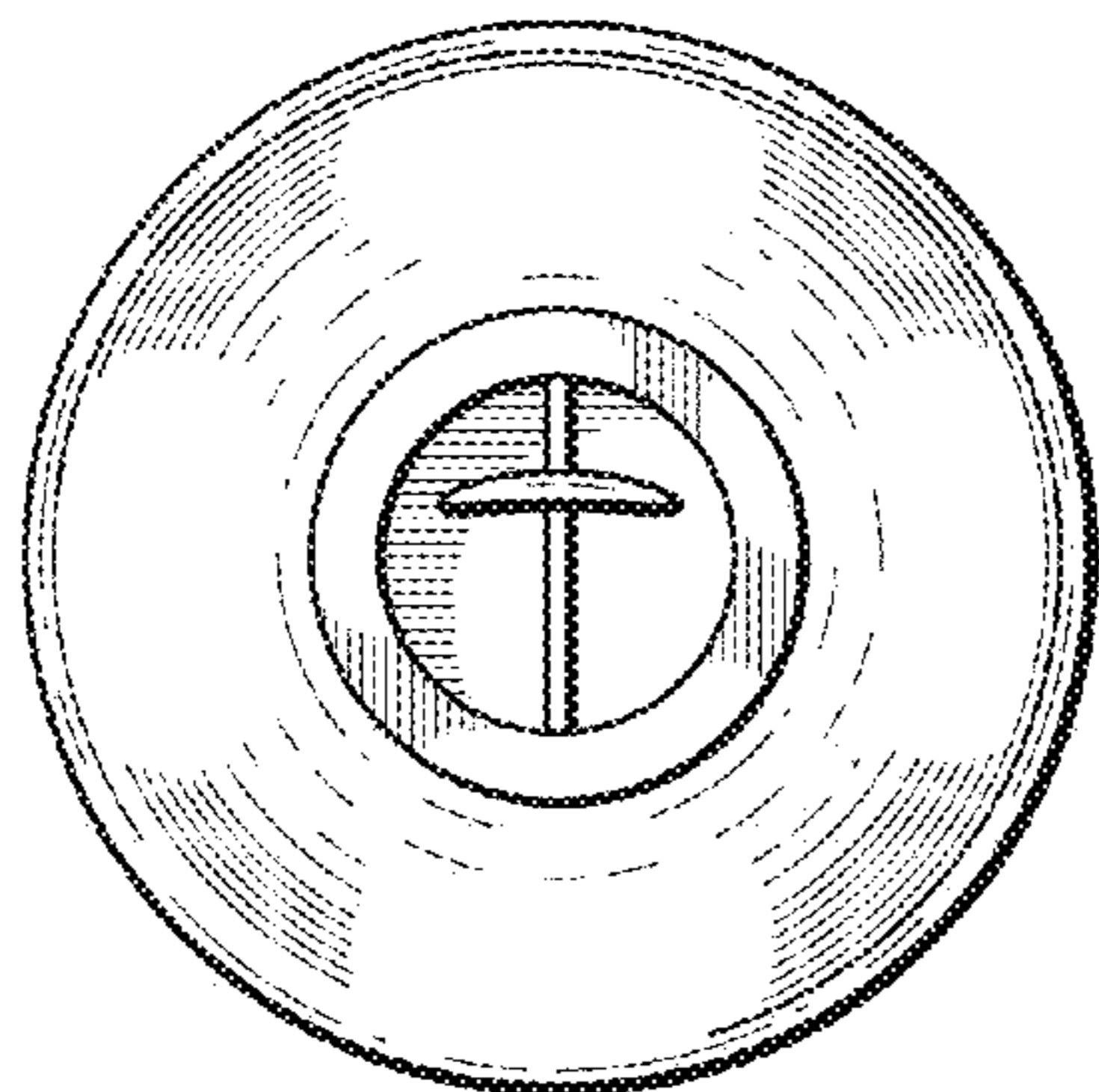


FIG. 6

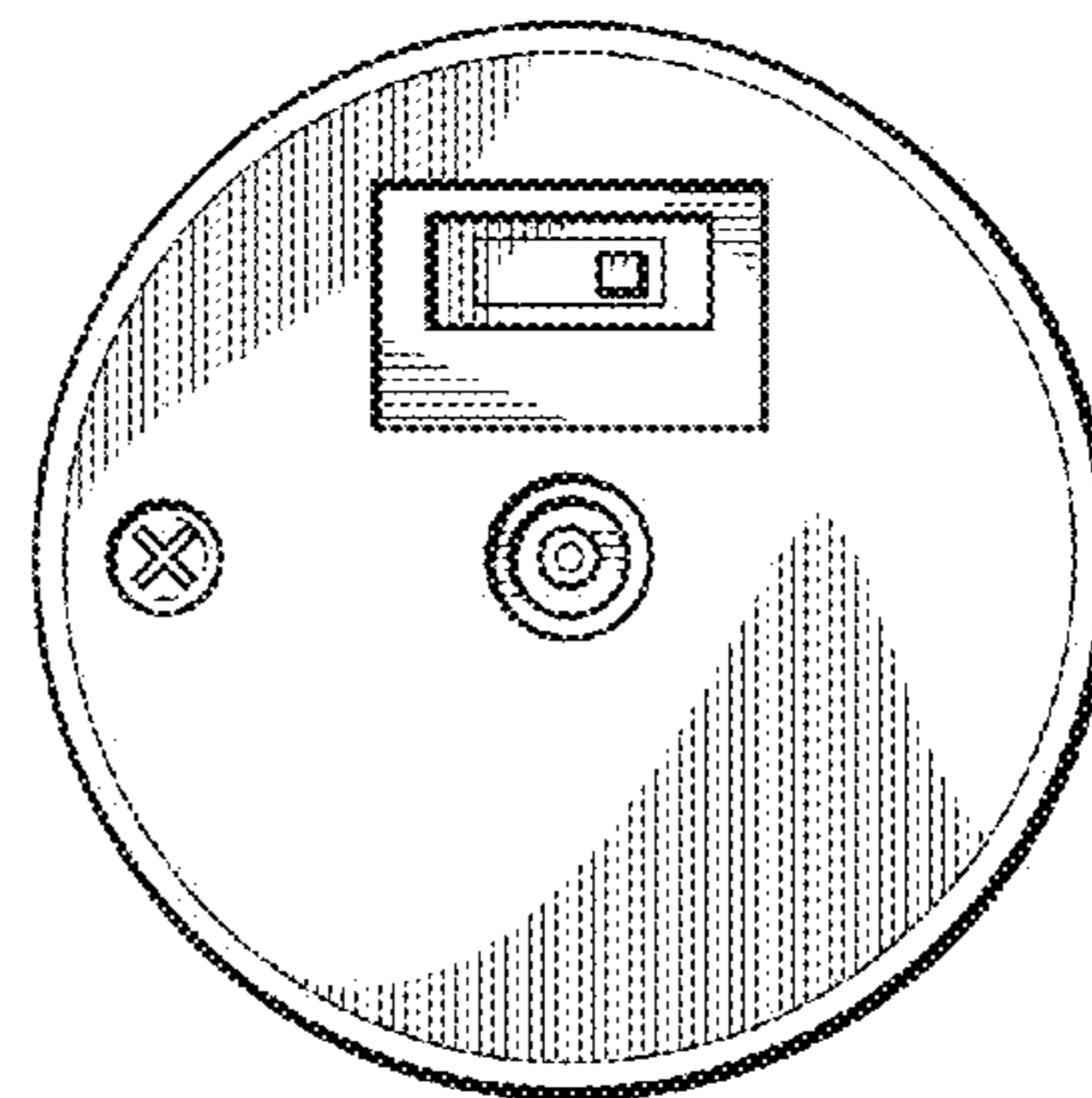


FIG. 7