



US00D706961S

(12) **United States Design Patent**
Nasrullah et al.

(10) **Patent No.:** **US D706,961 S**
(45) **Date of Patent:** **** Jun. 10, 2014**

(54) **LIGHT-EMITTING DIODE LAMP**
(71) Applicant: **Panasonic Corporation**, Osaka (JP)
(72) Inventors: **Nasrullah**, Rembang (ID); **Eko Yulianto**, Rembang (ID)
(73) Assignee: **Panasonic Corporation**, Osaka (JP)
(**) Term: **14 Years**

| | | | | |
|--------------|---------|------------------|-------|-------|
| D534,665 S * | 1/2007 | Egawa et al. | | D26/2 |
| D549,360 S * | 8/2007 | An | | D26/2 |
| D553,267 S * | 10/2007 | Yuen | | D26/2 |
| D560,286 S * | 1/2008 | Maxik et al. | | D26/2 |
| D566,300 S * | 4/2008 | Lo | | D26/2 |
| D601,278 S * | 9/2009 | Takahashi | | D26/2 |
| D633,227 S * | 2/2011 | Murakami et al. | | D26/2 |
| D634,031 S * | 3/2011 | de Visser et al. | | D26/2 |
| D644,760 S | 9/2011 | Murakami et al. | | |
| D645,581 S | 9/2011 | Murakami et al. | | |

* cited by examiner

(21) Appl. No.: **29/454,439**
(22) Filed: **May 10, 2013**

Primary Examiner — Marcus Jackson
(74) *Attorney, Agent, or Firm* — Panasonic Patent Center

(30) **Foreign Application Priority Data**
Nov. 12, 2012 (JP) 2012-027543
(51) **LOC (10) Cl.** **26-04**
(52) **U.S. Cl.**
USPC **D26/2**
(58) **Field of Classification Search**
USPC D26/1-4; 313/313, 315, 316, 317, 318,
313/493; 315/52, 53, 56, 57, 58
See application file for complete search history.

(57) **CLAIM**
We claim the ornamental design for a light-emitting diode lamp, as shown and described.

DESCRIPTION

FIG. 1 is a top perspective view of a light-emitting diode lamp of the present invention;
FIG. 2 is a front view thereof;
FIG. 3 is a rear view thereof;
FIG. 4 is a first side view thereof;
FIG. 5 is a second side view thereof;
FIG. 6 is a top view thereof; and,
FIG. 7 is a bottom view thereof.
The broken line showing of light-emitting diode lamp is included for the purpose of illustrating environment and forms no part of the claimed design.

(56) **References Cited**
U.S. PATENT DOCUMENTS
D471,294 S * 3/2003 Bobel D26/2
D487,939 S * 3/2004 Smith D26/2
D499,820 S * 12/2004 Foo D26/2
D500,872 S * 1/2005 Foo D26/2

1 Claim, 7 Drawing Sheets

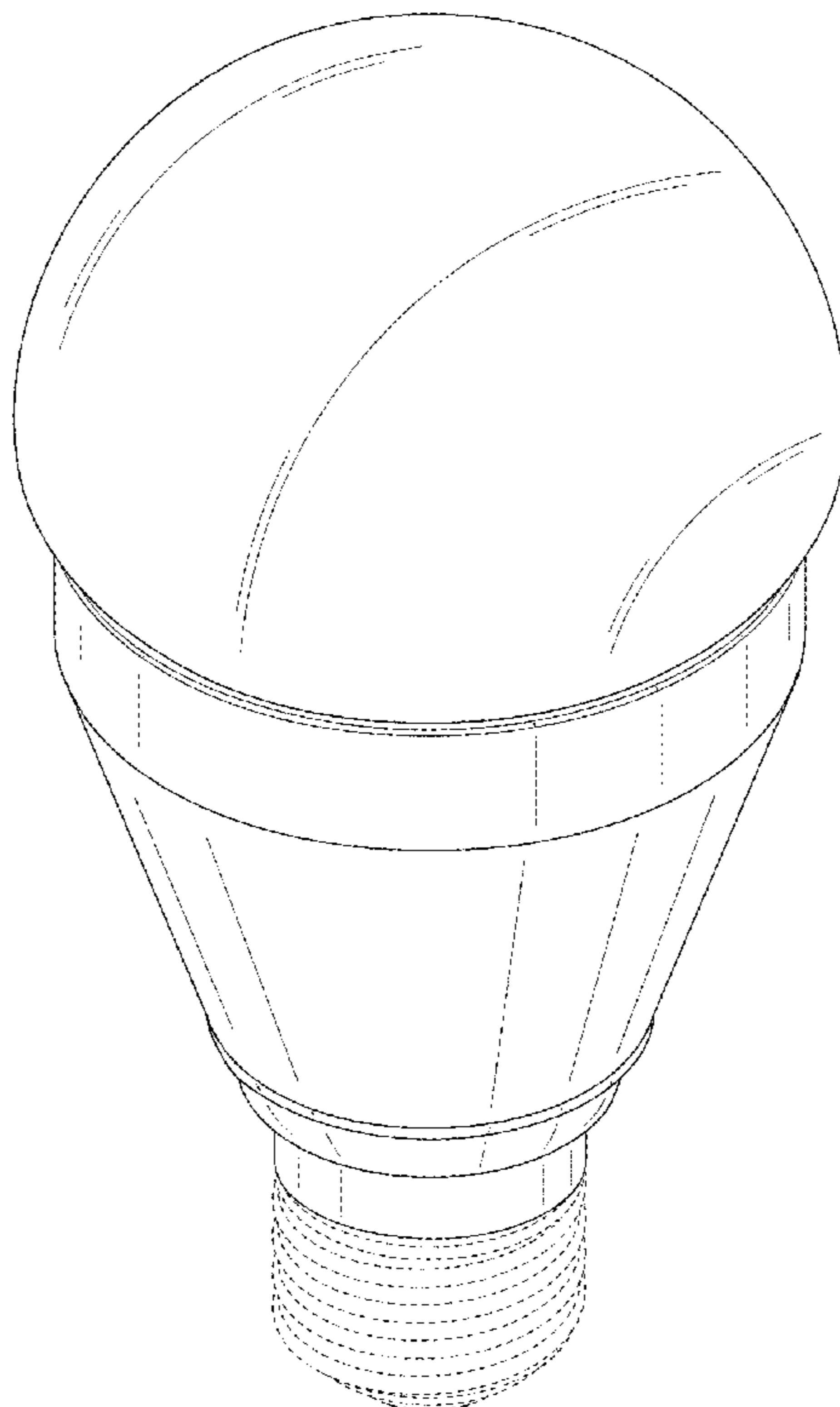


FIG. 1

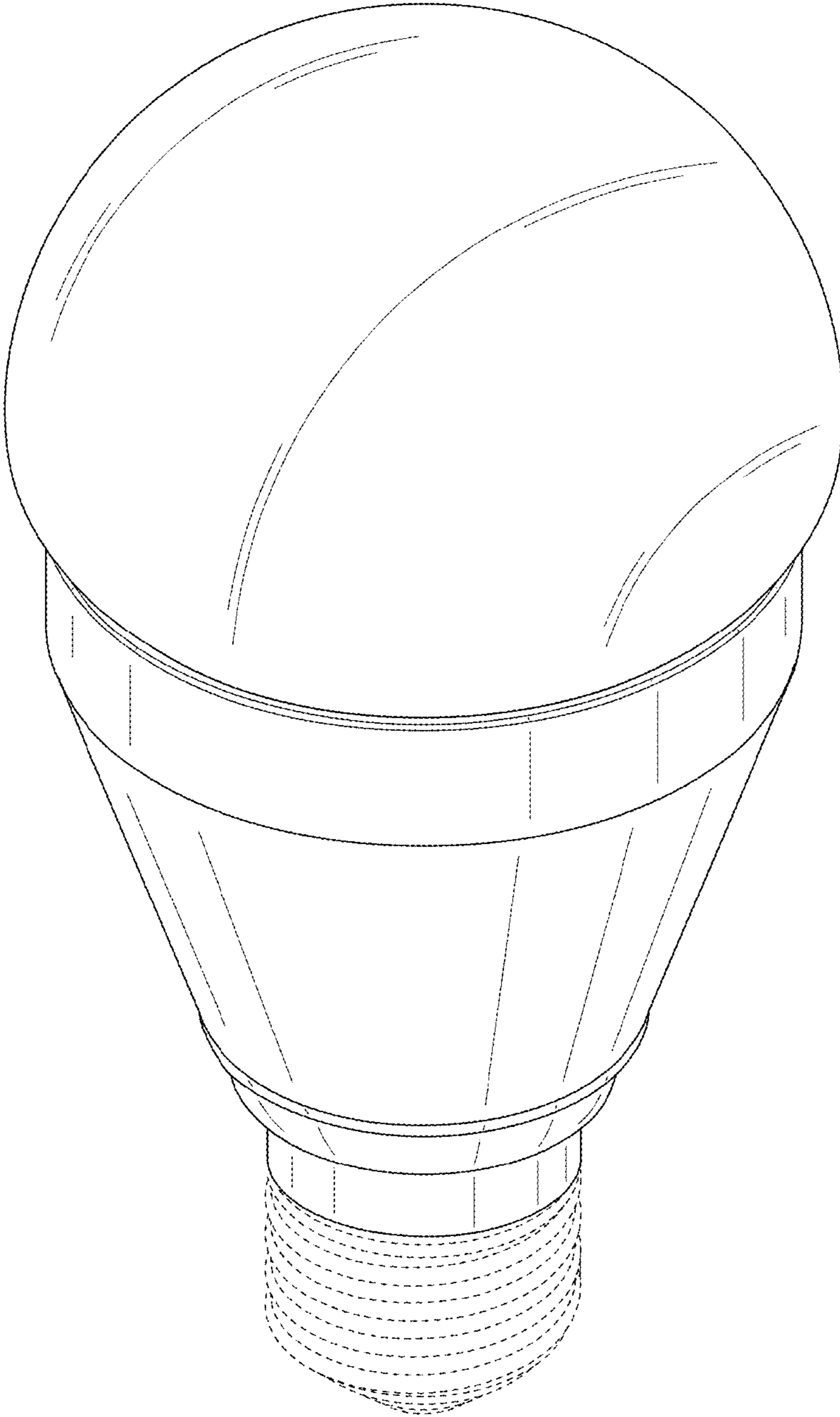


FIG. 2

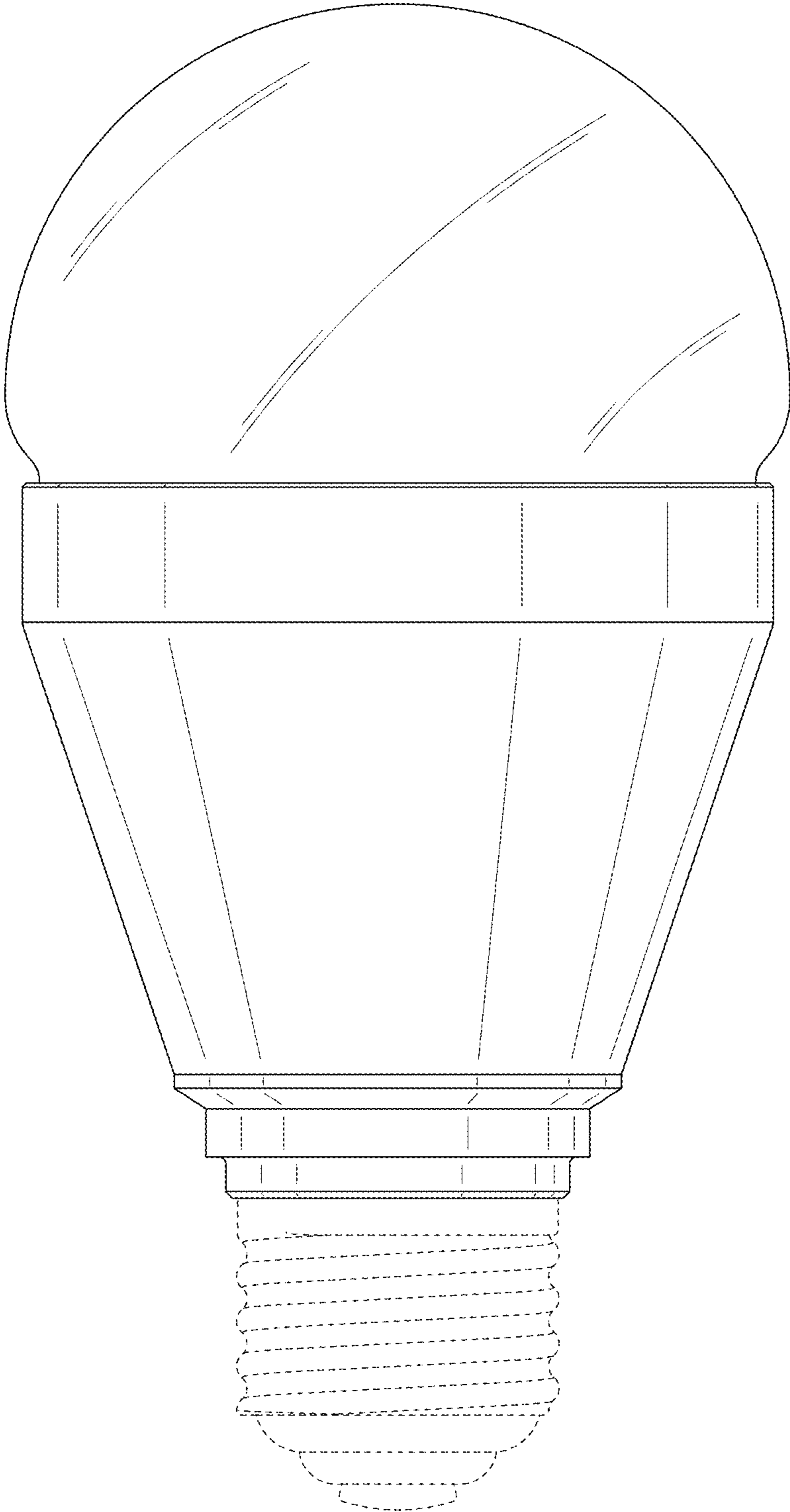


FIG. 3

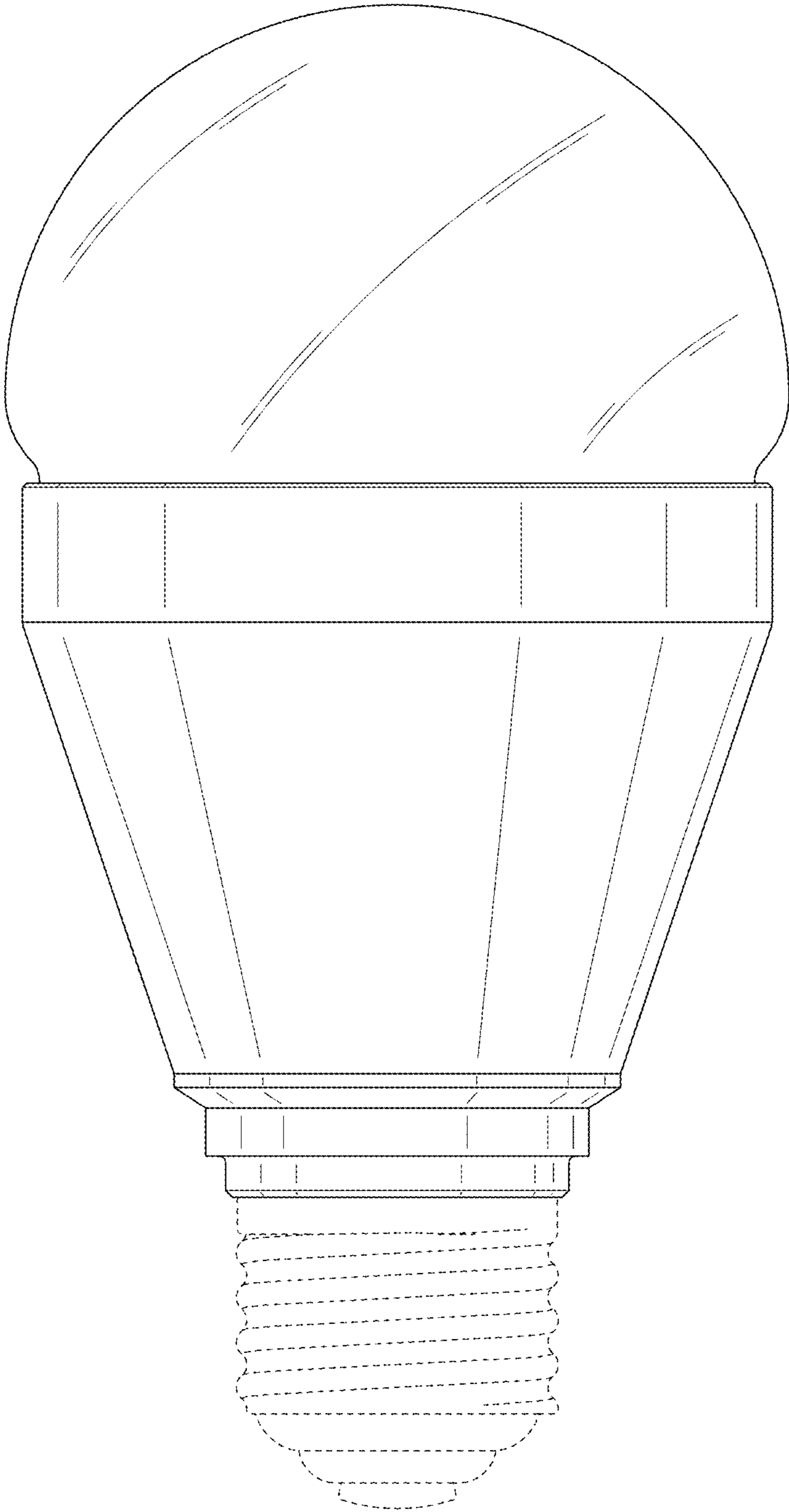


FIG. 4

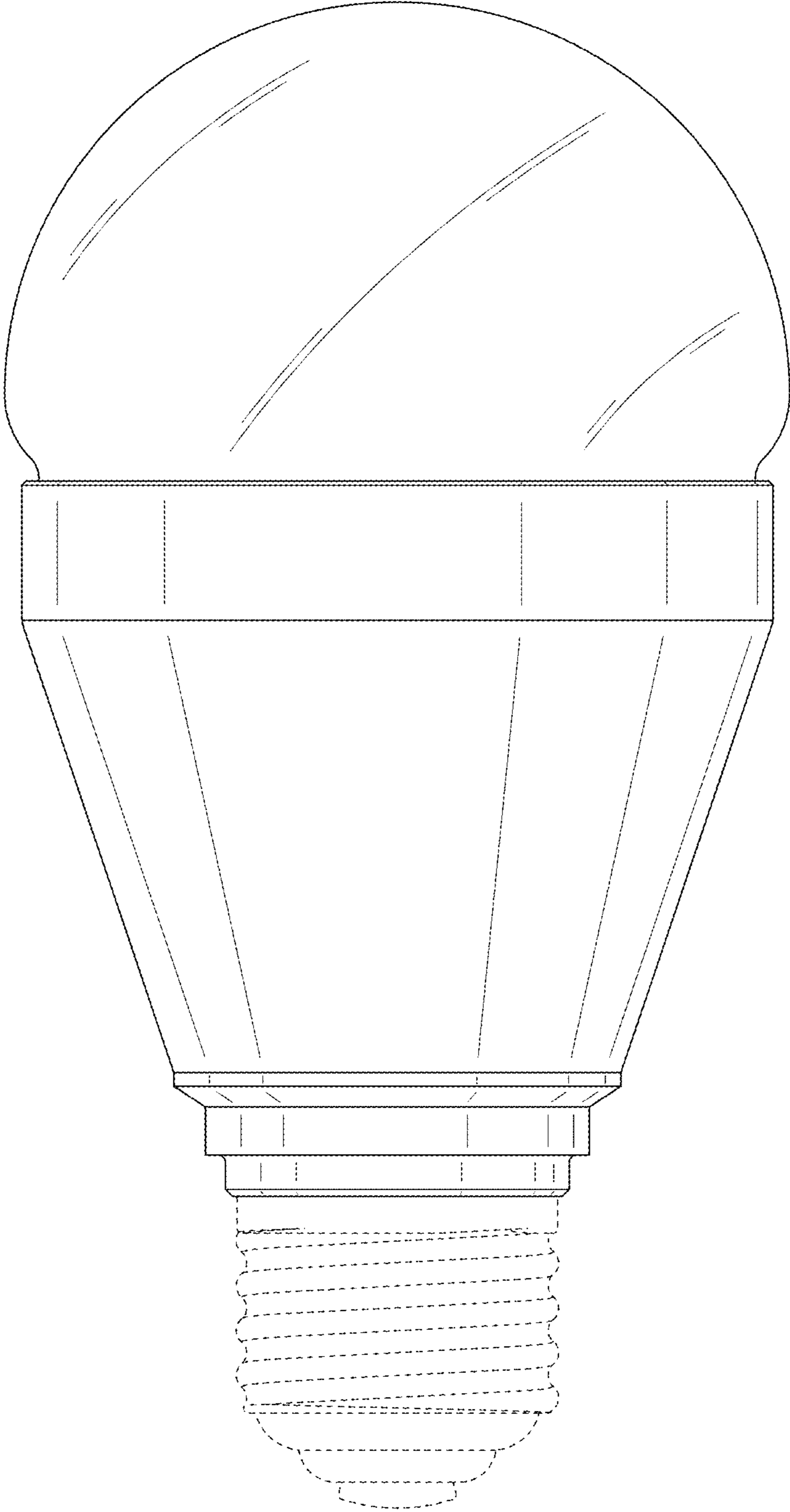


FIG. 5

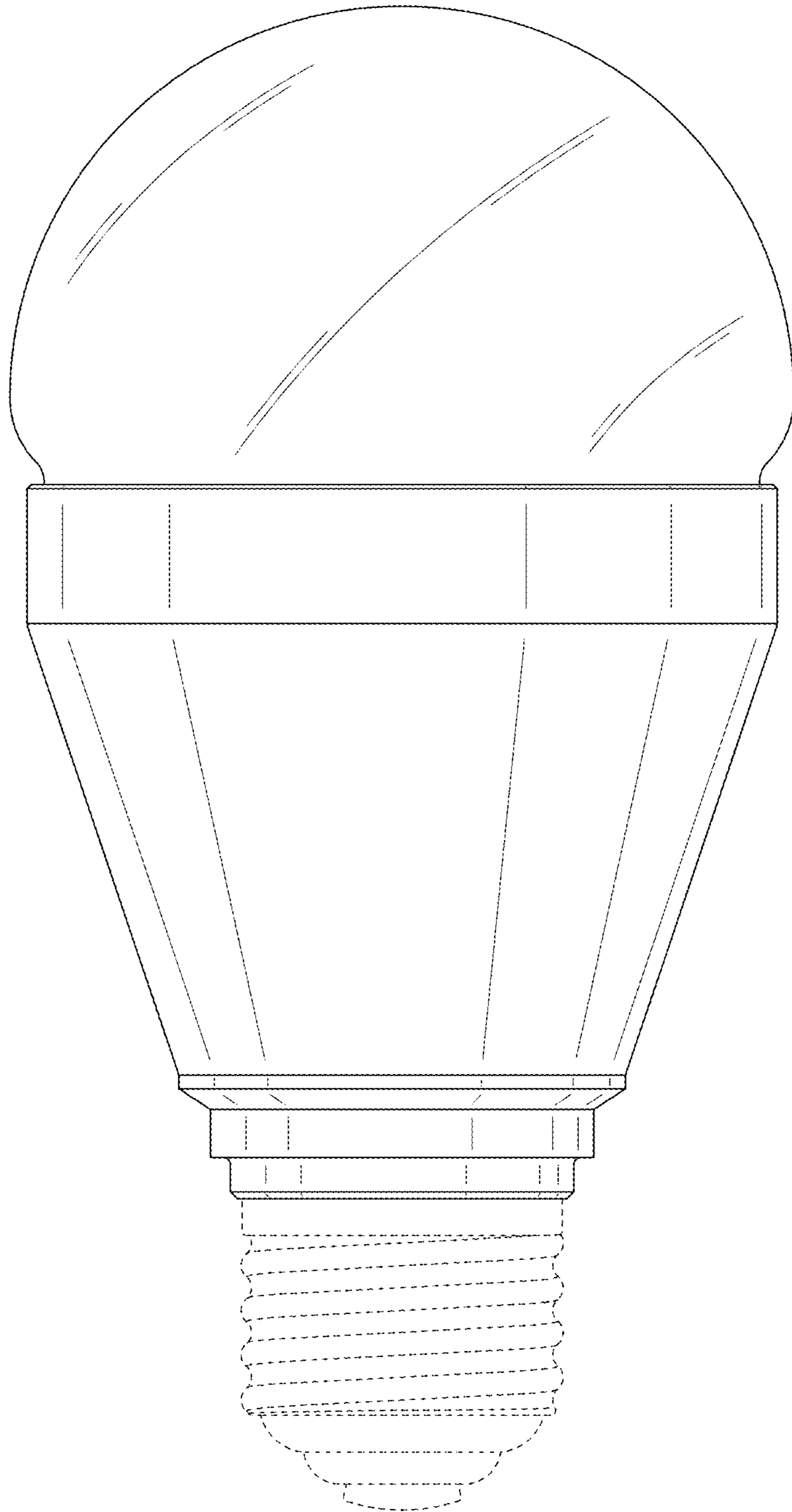


FIG. 6

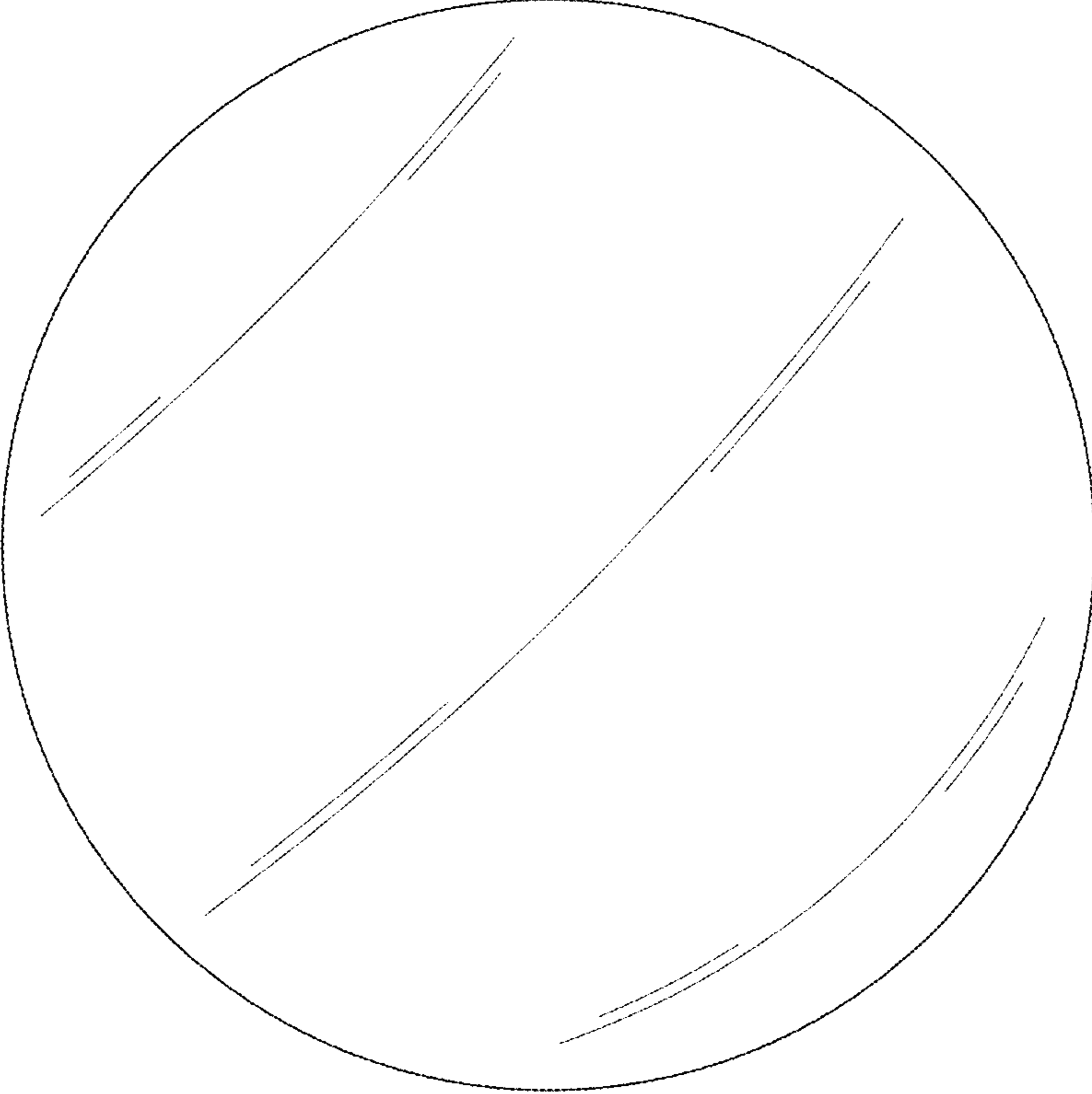


FIG. 7

