



US00D706954S

(12) **United States Design Patent**  
**Walsh**

(10) **Patent No.:** **US D706,954 S**  
(45) **Date of Patent:** **\*\* Jun. 10, 2014**

(54) **ENTRANCEWAY LITE**

(75) Inventor: **Jason M. Walsh**, Batavia, IL (US)

(73) Assignee: **Masonite Corporation**, Tampa, FL (US)

(\*\*) Term: **14 Years**

(21) Appl. No.: **29/406,372**

(22) Filed: **Nov. 14, 2011**

D631,173 S \* 1/2011 Hu ..... D25/103  
D634,027 S \* 3/2011 Hu ..... D25/103  
D642,285 S \* 7/2011 Hu ..... D25/103

\* cited by examiner

*Primary Examiner* — T. Chase Nelson

*Assistant Examiner* — Michelle E Wilson

(74) *Attorney, Agent, or Firm* — Berenato & White, LLC

(57) **CLAIM**

The ornamental design for an entranceway lite, as shown and described.

**DESCRIPTION**

FIG. 1 is a front elevational view of a first embodiment of my design, with the rear elevational view being a mirror image thereof;

FIG. 2 is a left side view of FIG. 1;

FIG. 3 is a right side view of FIG. 1;

FIG. 4 is a top plan view of FIG. 1;

FIG. 5 is a bottom plan view of FIG. 1;

FIG. 6 is a front elevational view of a second embodiment of my design, with the rear elevational view being a mirror image thereof;

FIG. 7 is a left side view of FIG. 6;

FIG. 8 is a right side view of FIG. 6;

FIG. 9 is a top plan view of FIG. 6;

FIG. 10 is a bottom plan view of FIG. 6;

FIG. 11 is a front elevational view of a third embodiment of my design, with the rear elevational view being a mirror image thereof;

FIG. 12 is a left side view of FIG. 11;

FIG. 13 is a right side view of FIG. 11;

FIG. 14 is a top plan view of FIG. 11; and,

FIG. 15 is a bottom plan view of FIG. 11.

**Related U.S. Application Data**

(62) Division of application No. 29/358,378, filed on Mar. 26, 2010, now Pat. No. Des. 664,676.

(51) **LOC (10) Cl.** ..... **25-01**

(52) **U.S. Cl.**

USPC ..... **D25/103**

(58) **Field of Classification Search**

USPC ..... D25/103, 104, 106, 109–111, 113, 138,  
D25/149, 157–163; D6/306, 470, 494;  
428/13, 34, 426; 52/204.59, 171.3, 306

See application file for complete search history.

(56) **References Cited**

**U.S. PATENT DOCUMENTS**

D367,328 S \* 2/1996 Liszewski ..... D25/103  
D589,158 S \* 3/2009 Hu ..... D25/103  
D590,069 S \* 4/2009 Hu ..... D25/103  
D590,514 S \* 4/2009 Hu ..... D25/103  
D612,518 S \* 3/2010 Hu ..... D25/103  
D613,879 S \* 4/2010 Hu ..... D25/103  
D627,083 S \* 11/2010 Walsh et al. .... D25/103

**1 Claim, 6 Drawing Sheets**

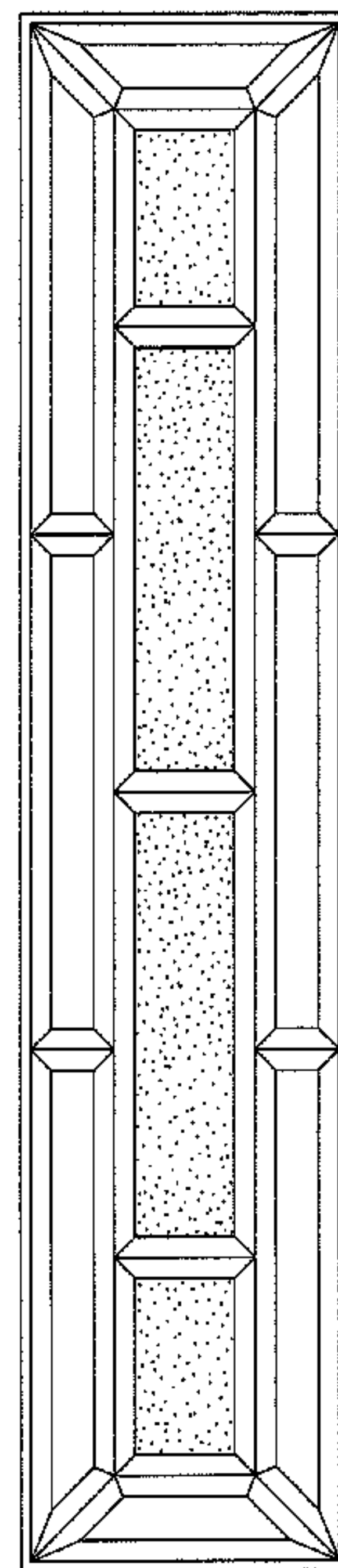
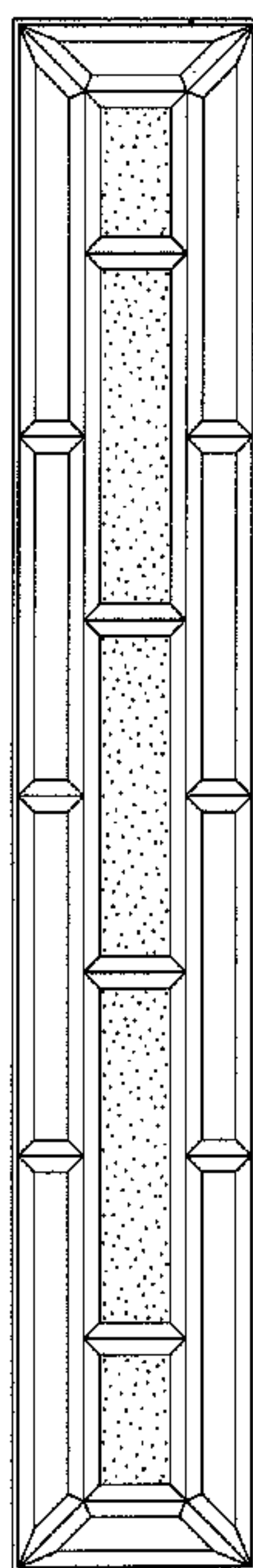


Fig. 1

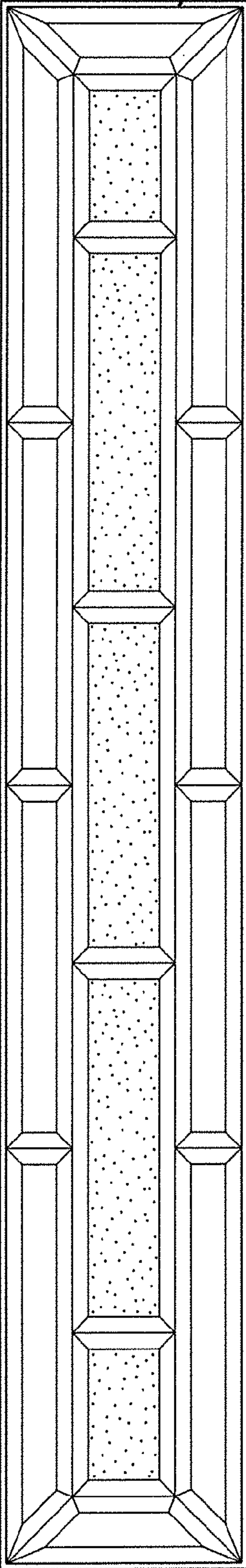


Fig. 2



Fig. 3



Fig. 4



Fig. 5



Fig. 6

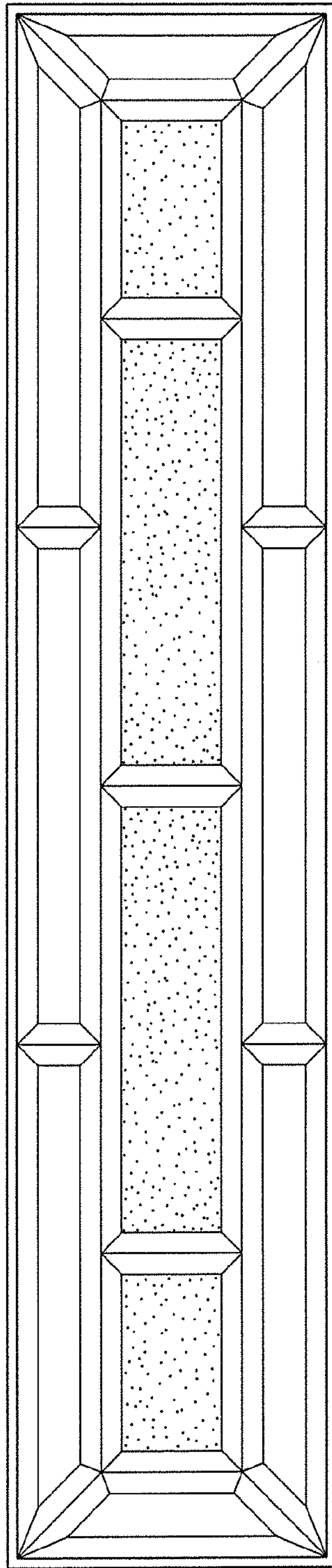


Fig. 7



Fig. 8

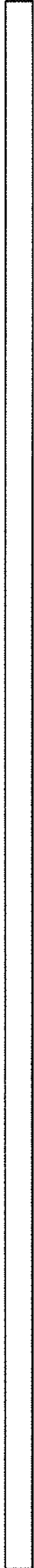


Fig. 9



Fig. 10



Fig. 11

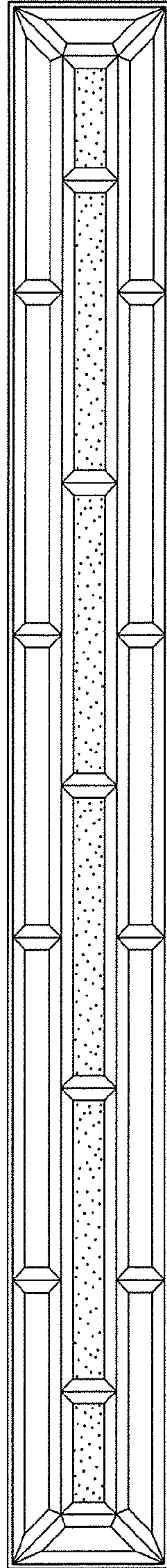




Fig. 12



Fig. 13



Fig. 14



Fig. 15

