



US00D706953S

(12) **United States Design Patent**
Johnson

(10) **Patent No.:** **US D706,953 S**
(45) **Date of Patent:** **** Jun. 10, 2014**

(54) **LADDER STABILIZING DEVICE**
(71) Applicant: **Brad H. Johnson**, Inman, SC (US)
(72) Inventor: **Brad H. Johnson**, Inman, SC (US)
(**) Term: **14 Years**

Primary Examiner — Doris Clark
(74) *Attorney, Agent, or Firm* — Dority & Manning, PA

(21) Appl. No.: **29/433,342**
(22) Filed: **Sep. 28, 2012**
(51) **LOC (10) Cl.** **25-04**
(52) **U.S. Cl.**
USPC **D25/68**
(58) **Field of Classification Search**
USPC D25/68; 182/107, 108
See application file for complete search history.

(57) **CLAIM**
The ornamental design for a ladder stabilizing device, as shown and described.

DESCRIPTION

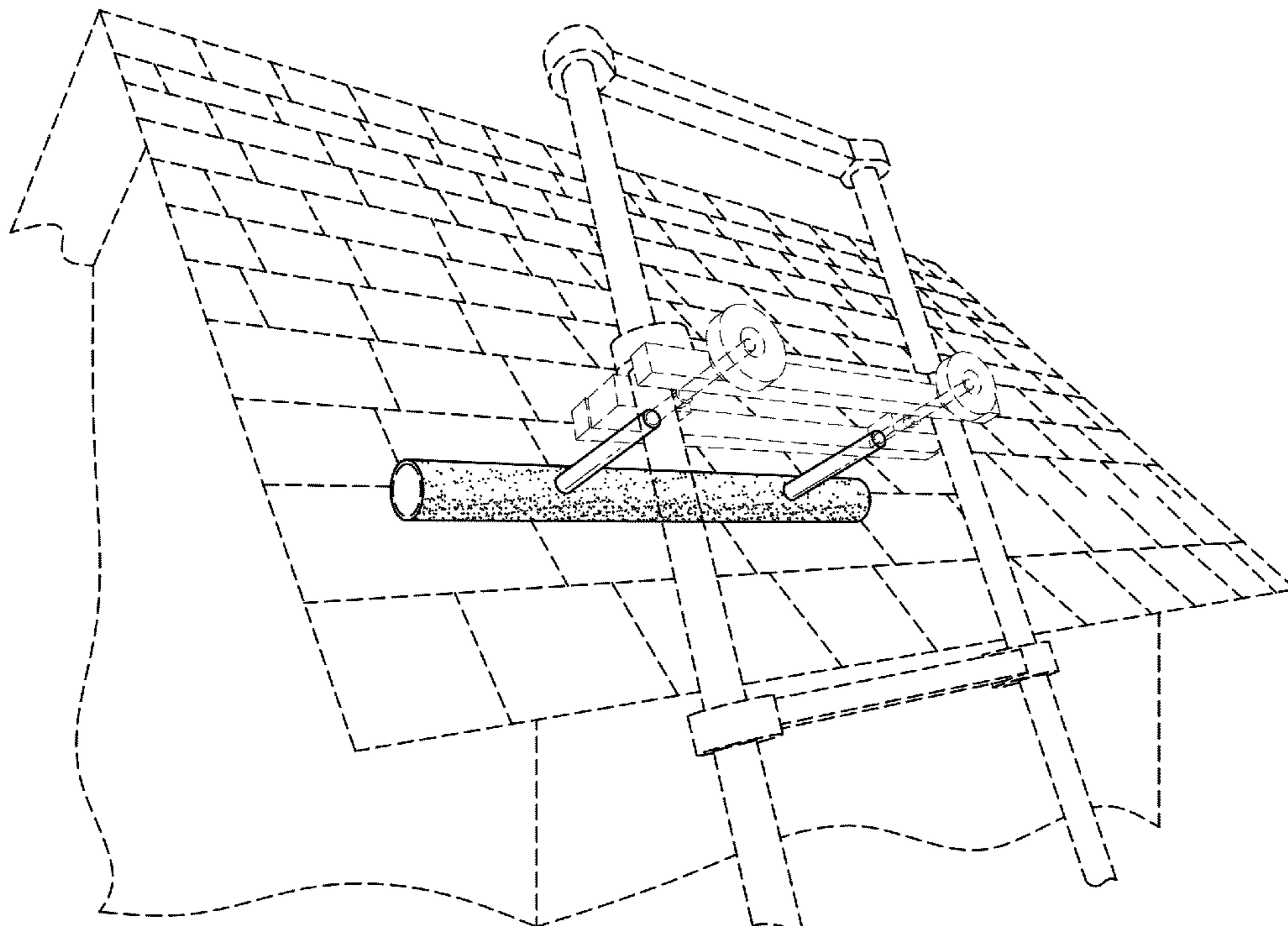
FIG. 1 is a perspective view of the ladder stabilizing device according to the present invention.
FIG. 2 is another perspective view of the ladder stabilizing device illustrated in FIG. 1.
FIG. 3 is a front view of the ladder stabilizing device illustrated in FIG. 1.
FIG. 4 is top view of the ladder stabilizing device illustrated in FIG. 1.
FIG. 5 is a bottom view of the ladder stabilizing device illustrated in FIG. 1.
FIG. 6 is a side view of the ladder stabilizing device illustrated in FIG. 1; and,
FIG. 7 is a further perspective view of the ladder stabilizing device illustrated in FIG. 1, particularly illustrating the ladder stabilizing device installed onto a ladder for stabilizing the ladder with respect to a roof.
The broken lines shown in the drawings represent portions of the ladder stabilizing device and/or portions of the environmental structure that form no part of the claimed design.

(56) **References Cited**
U.S. PATENT DOCUMENTS

3,288,249	A	11/1966	Gibson	
4,491,192	A *	1/1985	Skarsten	182/107
4,580,660	A	4/1986	Oling	
5,010,979	A	4/1991	Shreve, III	
5,775,465	A	7/1998	Vossler	
D408,556	S *	4/1999	Ruiz	D25/68
6,851,518	B1	2/2005	Walker	
7,377,360	B1	5/2008	Misiak et al.	
2001/0013445	A1 *	8/2001	Adshead	182/107
2006/0231333	A1 *	10/2006	Proulx	182/107

* cited by examiner

1 Claim, 6 Drawing Sheets



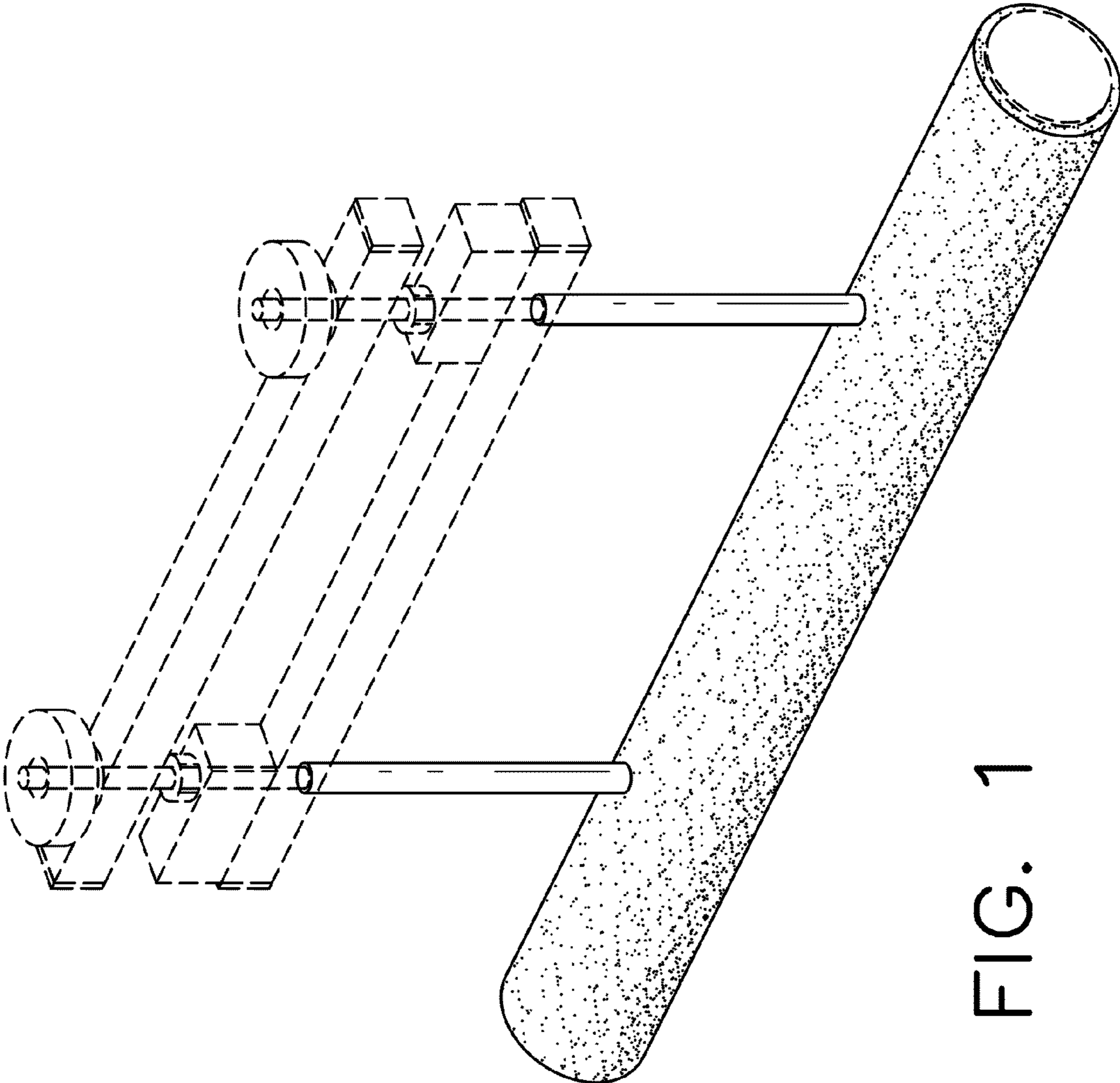


FIG. 1

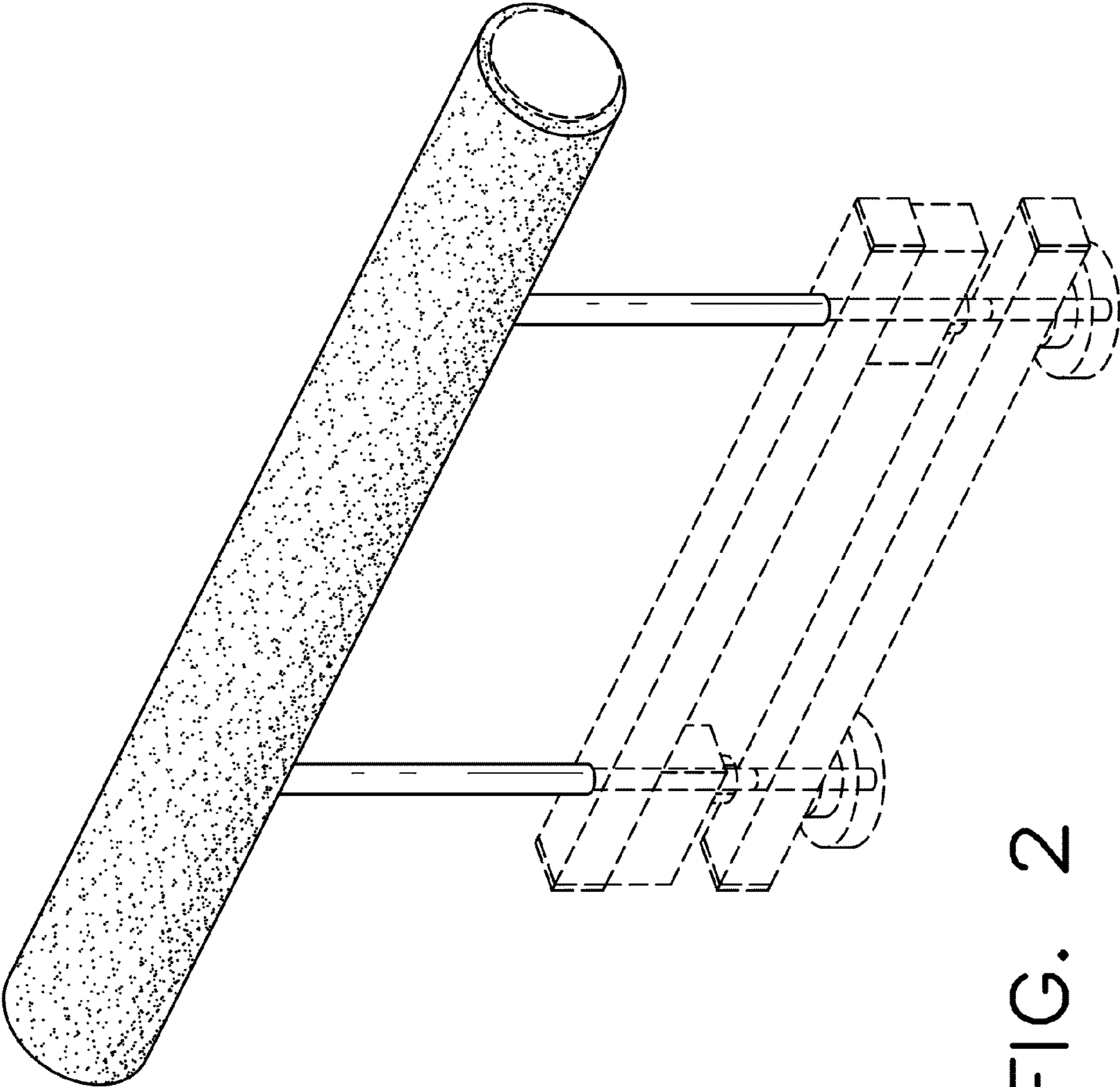


FIG. 2

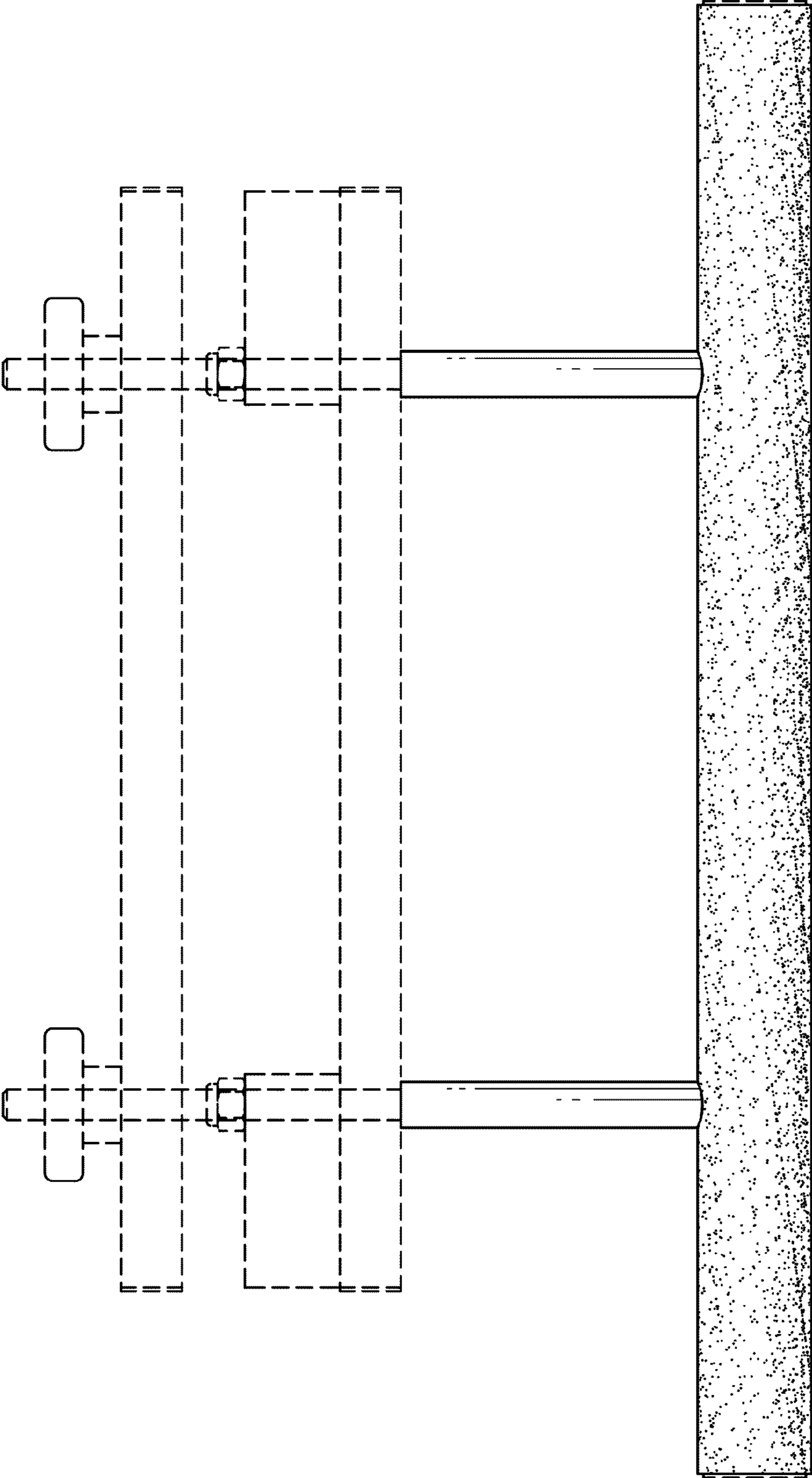


FIG. 3



FIG. 4

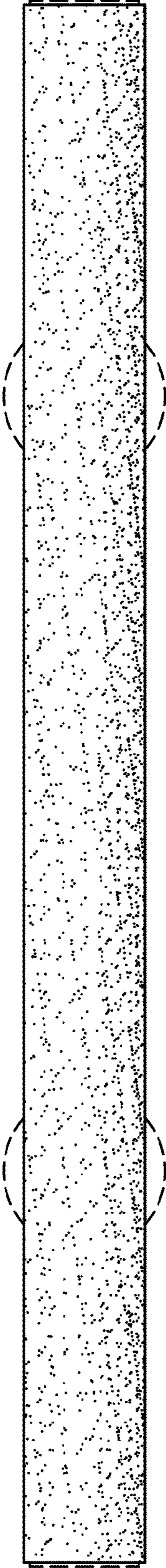


FIG. 5

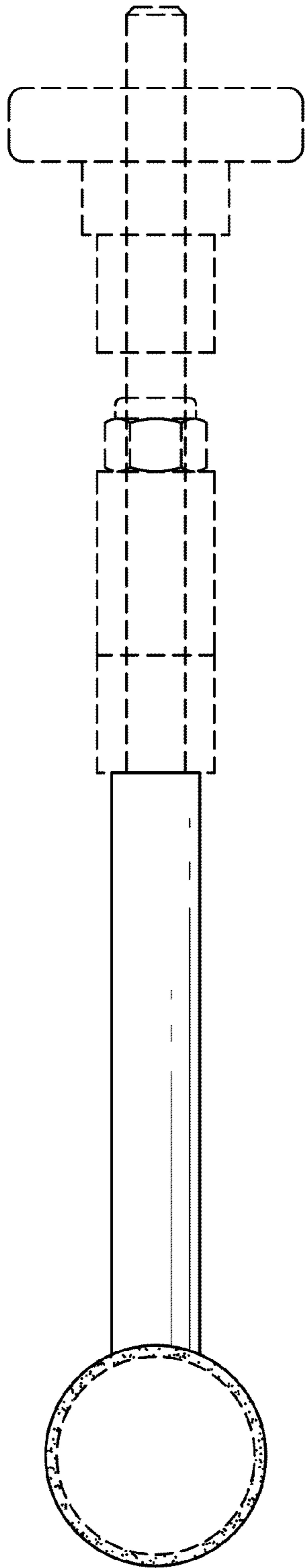


FIG. 6

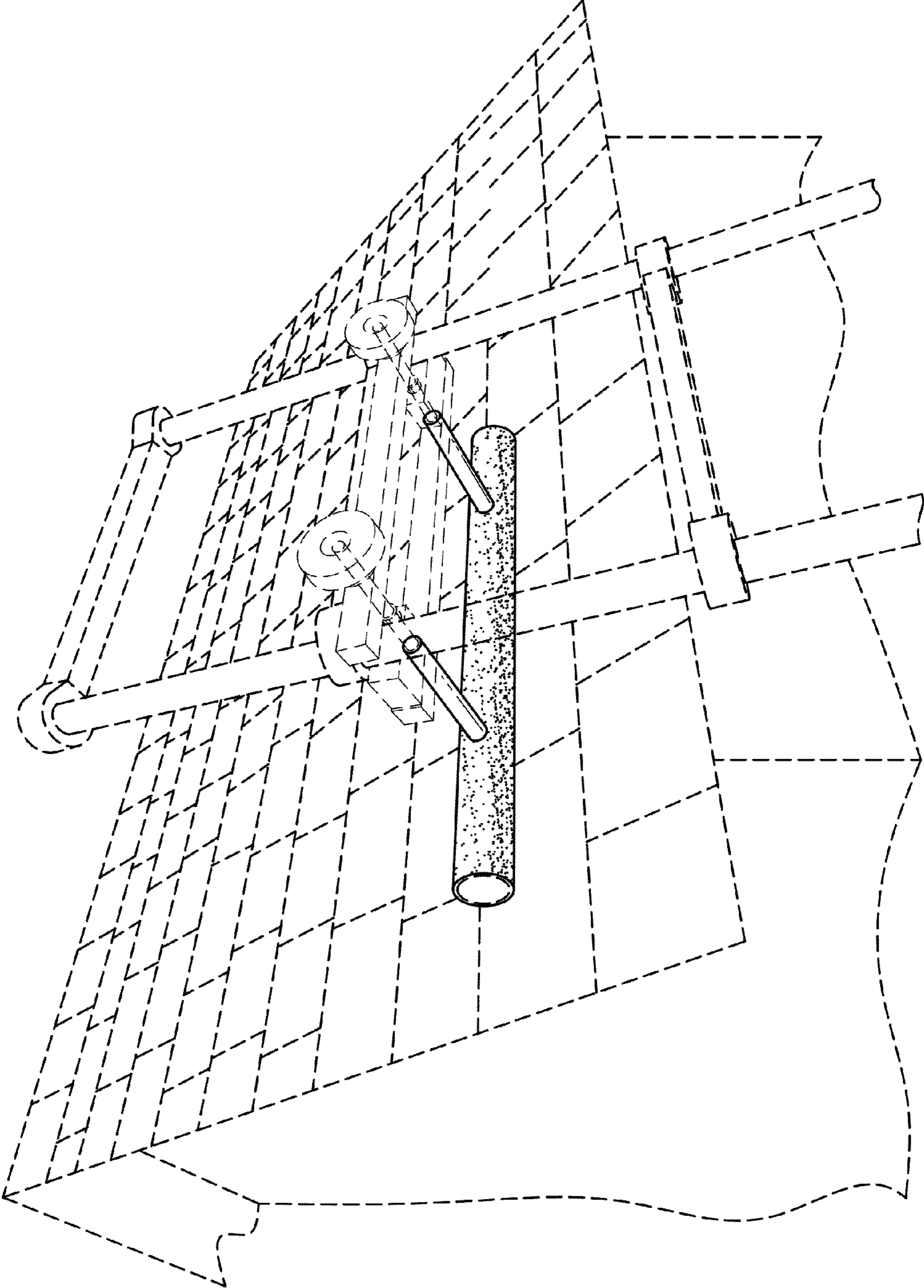


FIG. 7