



US00D706949S

(12) **United States Design Patent**
Haluska

(10) **Patent No.:** **US D706,949 S**
(45) **Date of Patent:** **** Jun. 10, 2014**

(54) **HAND-SANITIZING KIOSK WITH AD SPACE**

(71) Applicant: **Keith Haluska**, Bradenton, FL (US)

(72) Inventor: **Keith Haluska**, Bradenton, FL (US)

(**) Term: **14 Years**

(21) Appl. No.: **29/462,770**

(22) Filed: **Aug. 8, 2013**

(51) **LOC (10) Cl.** **24-02**

(52) **U.S. Cl.**
USPC **D24/234**

(58) **Field of Classification Search**
USPC D23/271, 274, 284, 303, 308, 286;
4/631; D24/234, 185; D6/641-642,
D6/698

See application file for complete search history.

(56) **References Cited**

U.S. PATENT DOCUMENTS

D257,093 S * 9/1980 Brittner D6/481
D273,147 S * 3/1984 Iverson D6/436

D324,701 S * 3/1992 Capps D20/19
D331,100 S * 11/1992 Jacobsen et al. D23/271
D344,830 S * 3/1994 Carter et al. D23/271
D544,071 S * 6/2007 Teuscher et al. D23/286
D656,885 S * 4/2012 Tan D12/345
D662,596 S * 6/2012 Swanek D24/185

* cited by examiner

Primary Examiner — Robert Delehanty

(74) *Attorney, Agent, or Firm* — Richard K Thomson

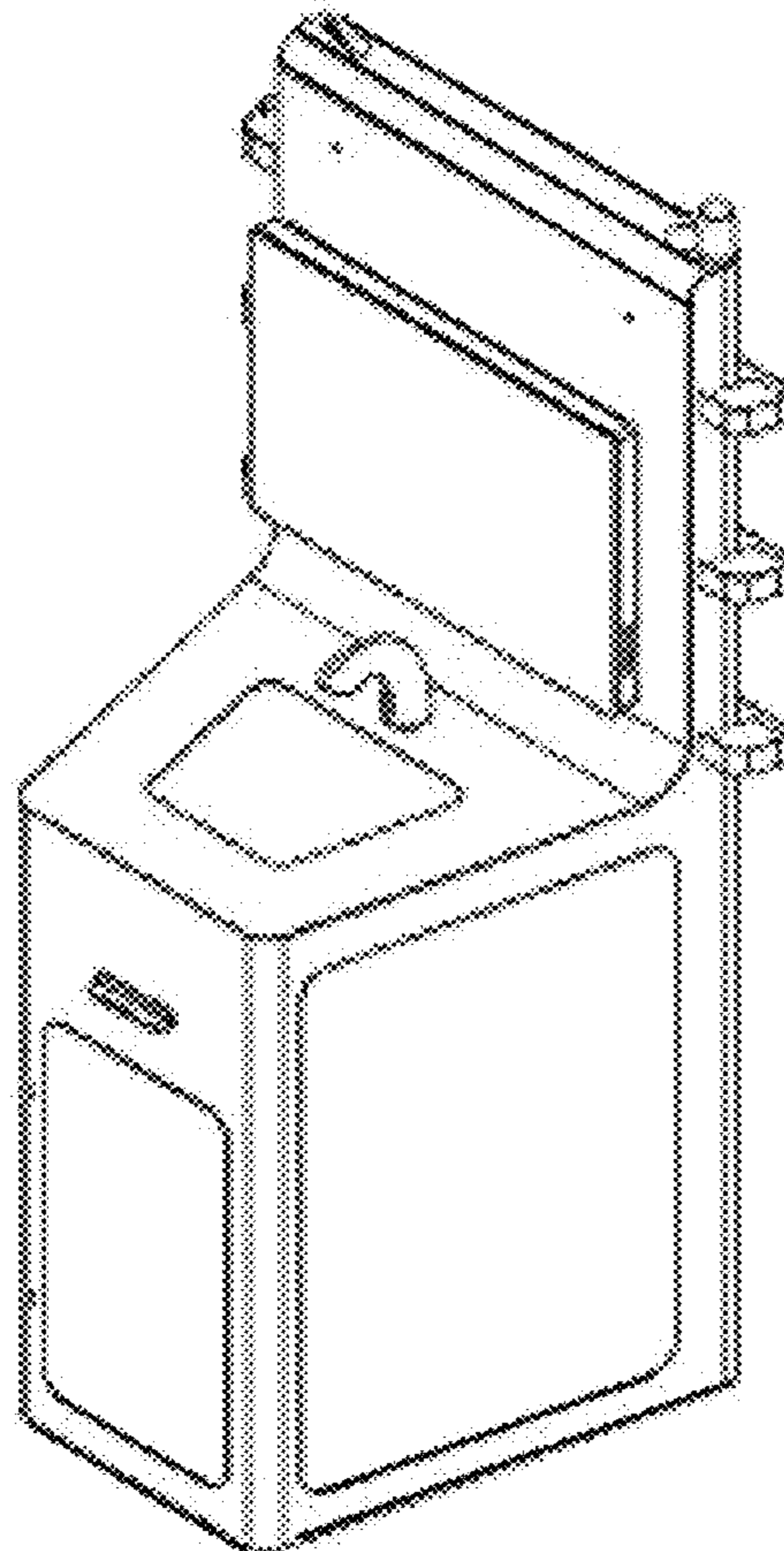
(57) **CLAIM**

The hand-sanitizing kiosk with ad space, as shown and described.

DESCRIPTION

FIG. 1 is a front perspective view of a first embodiment of the hand-sanitizing kiosk with ad space of the present design; FIG. 2 is a front view thereof; FIG. 3 is a view of the right side thereof; FIG. 4 is a view of the left side thereof; FIG. 5 is a top view thereof; FIG. 6 is a bottom view thereof; and, FIG. 7 is a back view thereof.

1 Claim, 2 Drawing Sheets



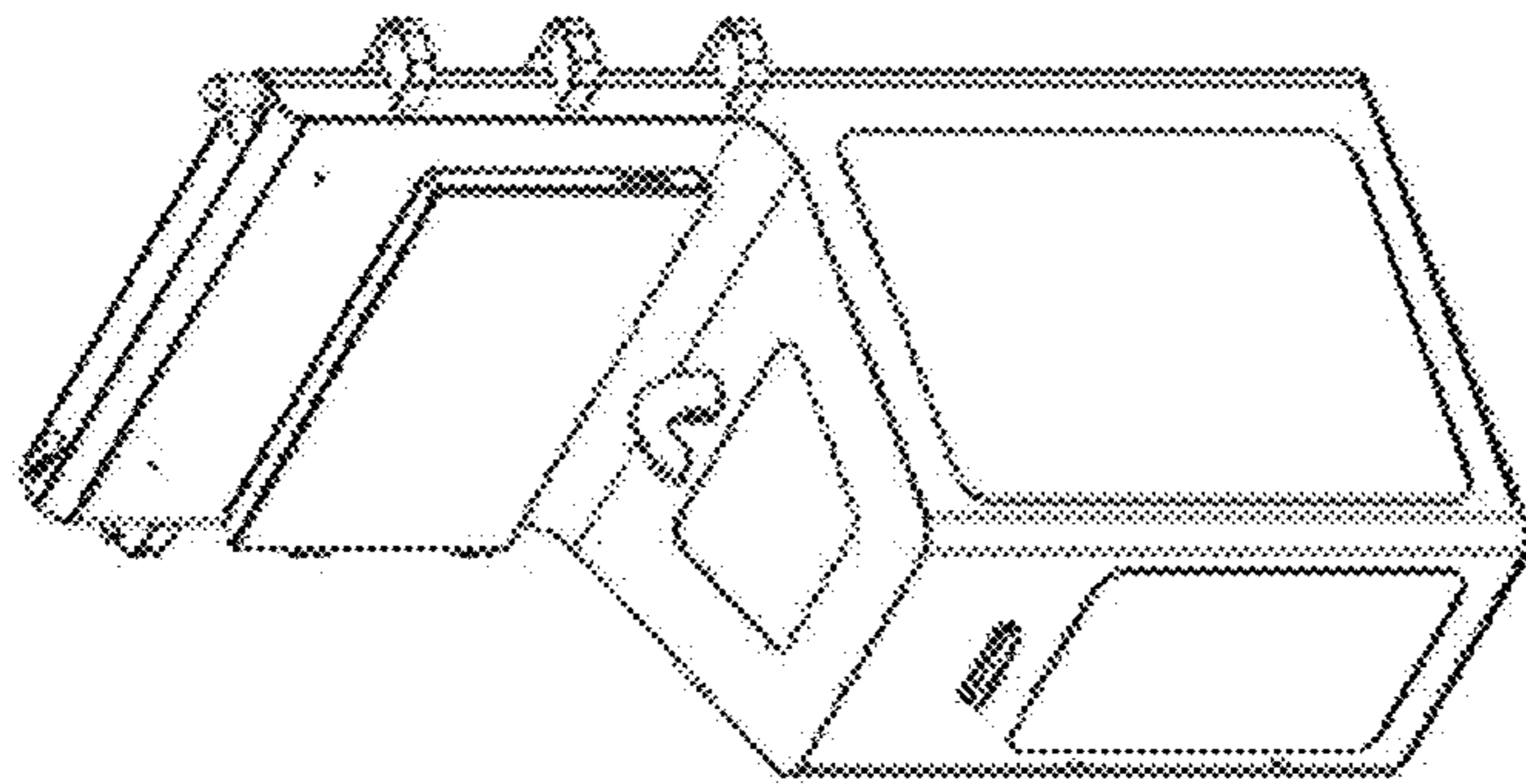


FIG. 1

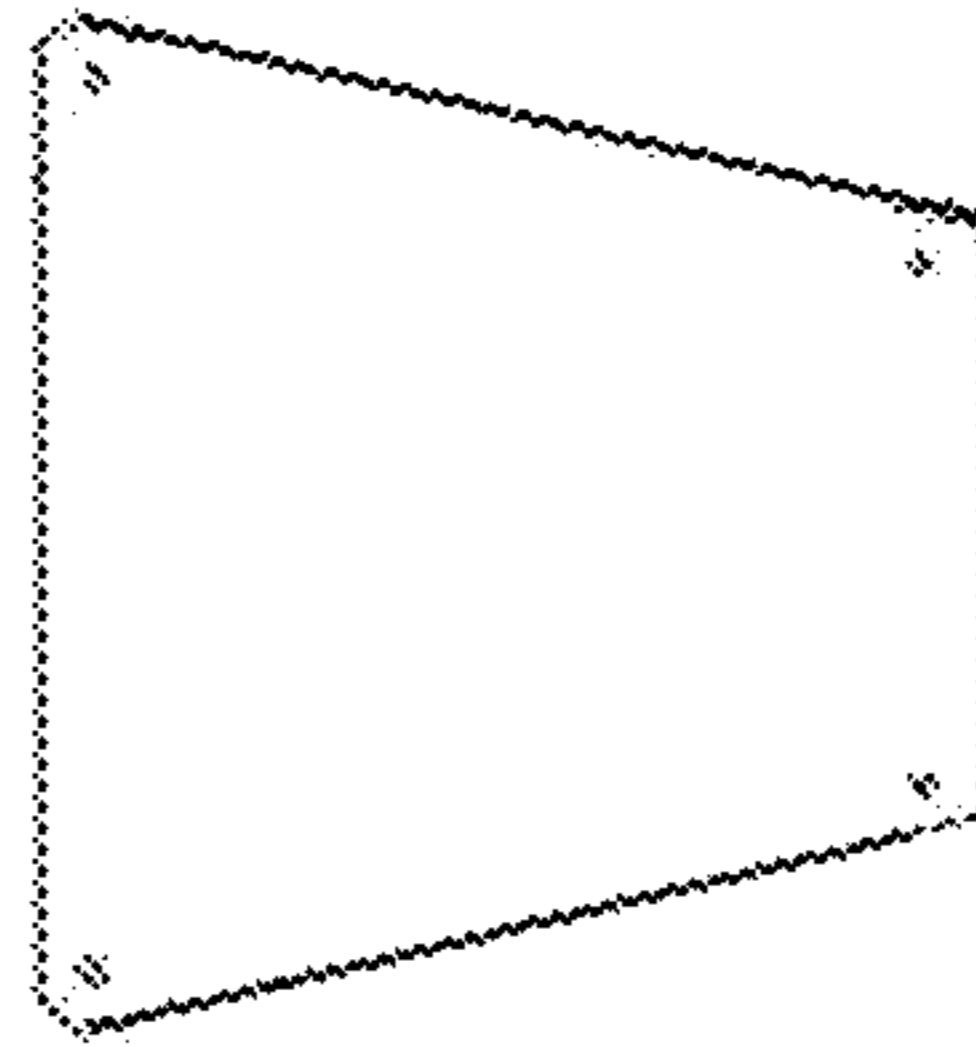


FIG. 6

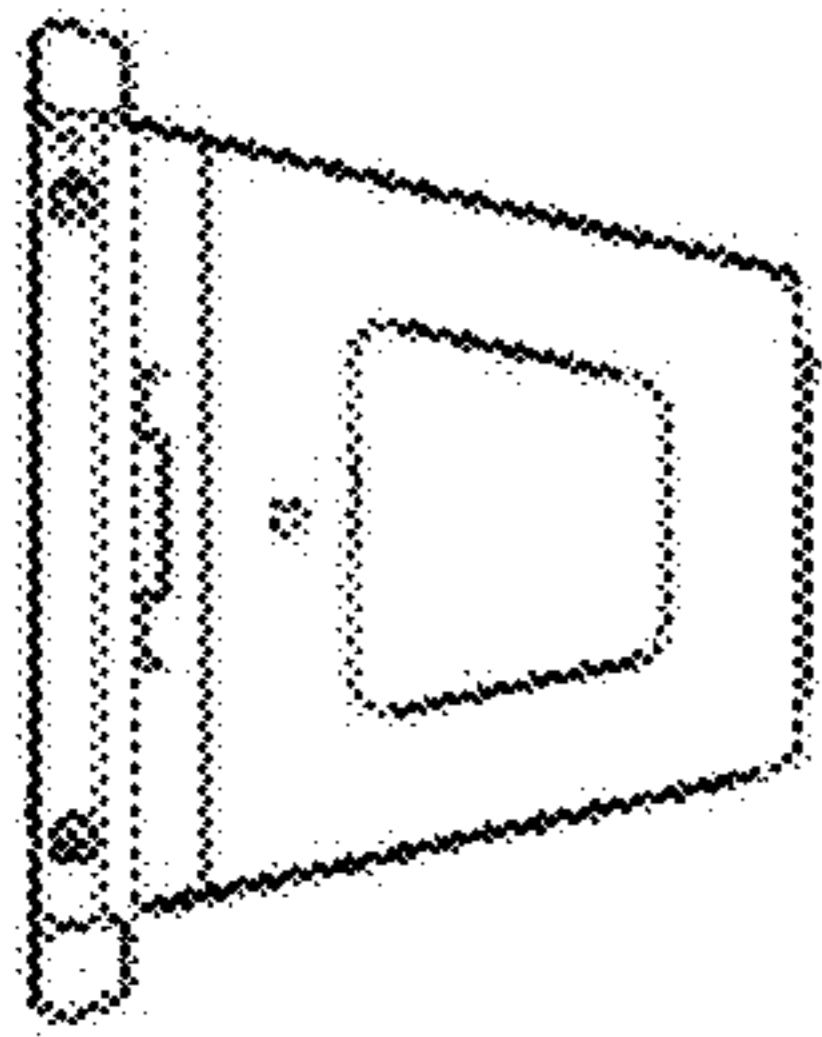


FIG. 5

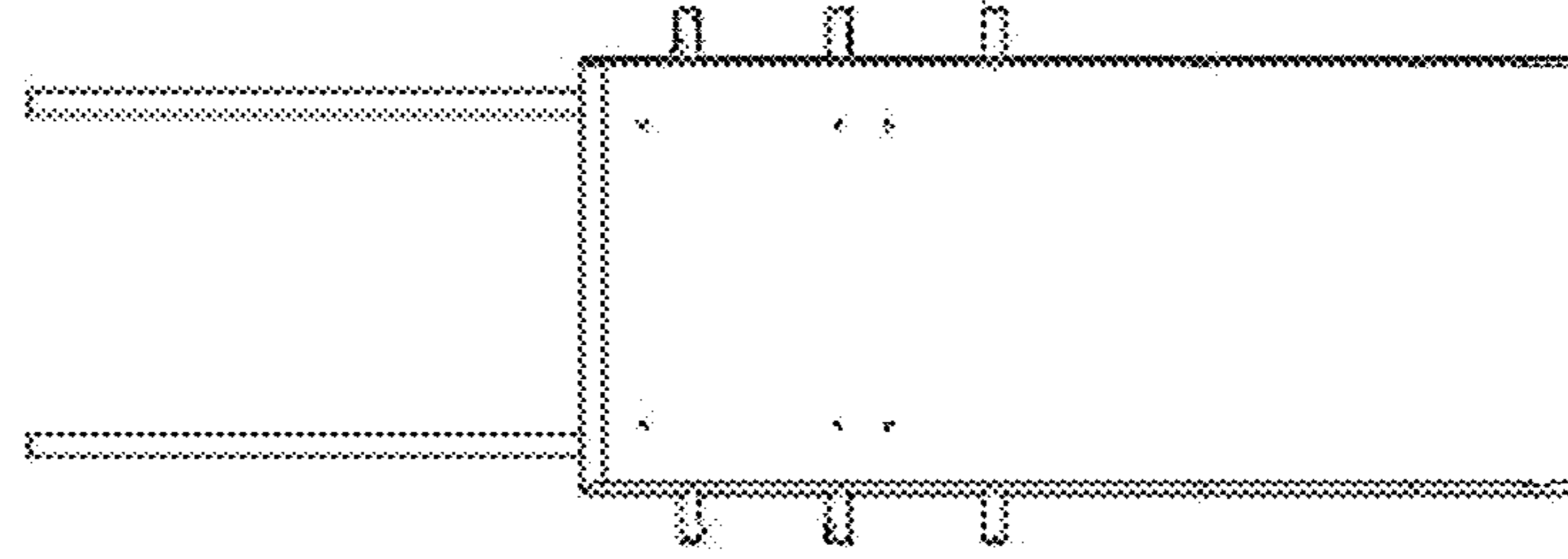


FIG. 7

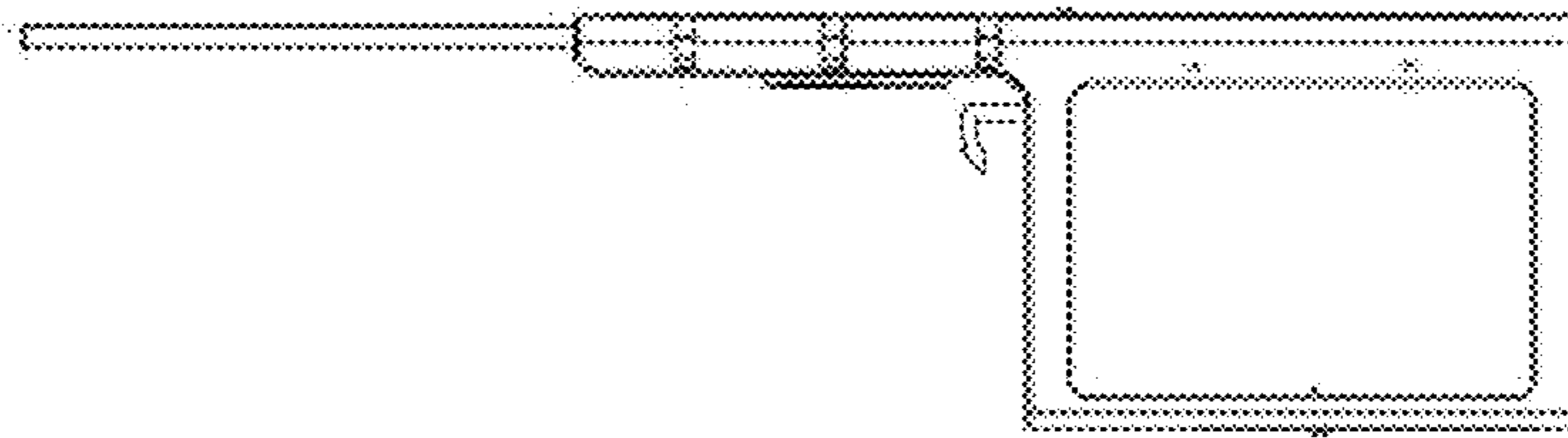


FIG. 4

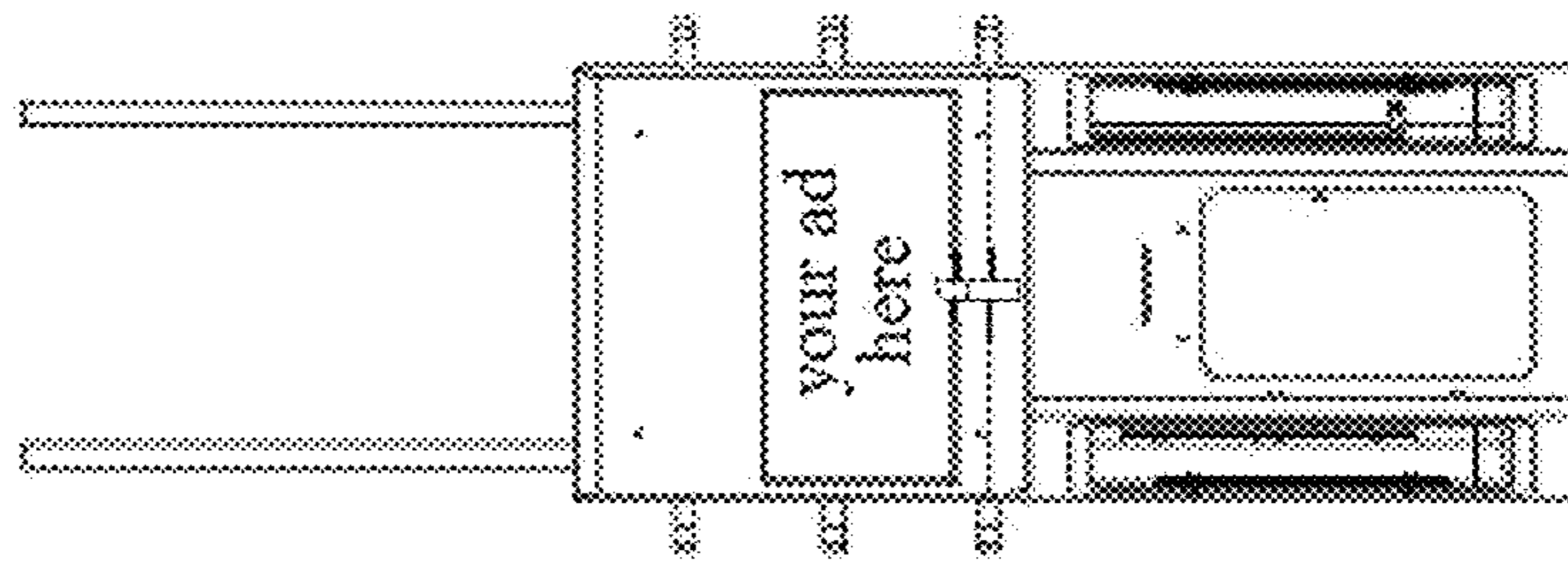


FIG. 2

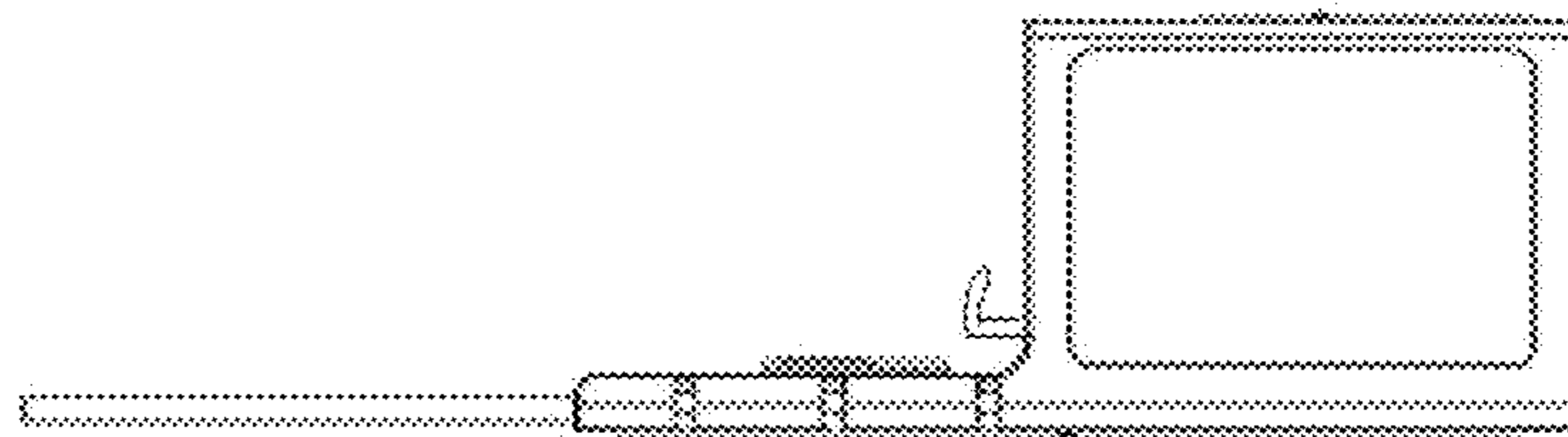


FIG. 3