



US00D706946S

(12) **United States Design Patent**
Löhn

(10) **Patent No.:** **US D706,946 S**
(45) **Date of Patent:** **** Jun. 10, 2014**

(54) **PIPETTE**
(75) Inventor: **Jürgen Löhn**, Gross Meckelsen (DE)
(73) Assignee: **Eppendorf AG**, Hamburg (DE)
(**) Term: **14 Years**
(21) Appl. No.: **29/411,111**
(22) Filed: **Jan. 17, 2012**
(30) **Foreign Application Priority Data**
Dec. 22, 2011 (DE) 40 2011 006 812
Dec. 22, 2011 (DE) 40 2011 006 818
Dec. 22, 2011 (DE) 40 2011 006 822
Dec. 22, 2011 (DE) 40 2011 006 826
Dec. 22, 2011 (DE) 40 2011 006 830

4,679,446 A * 7/1987 Sheehan et al. 73/864.18
D300,561 S * 4/1989 Asa et al. D24/112
5,002,737 A 3/1991 Tervamaki
5,084,241 A 1/1992 Parker
5,406,856 A 4/1995 Kuhn
5,435,197 A 7/1995 Telimaa et al.
D365,146 S * 12/1995 Olson D24/108
5,482,864 A 1/1996 Knobel
D384,162 S * 9/1997 Husar et al. D24/222
D384,163 S * 9/1997 Husar et al. D24/222
D387,425 S 12/1997 Niedospial et al.
D387,426 S * 12/1997 Husar et al. D24/112
5,705,062 A 1/1998 Knobel
5,747,709 A * 5/1998 Oshikubo 73/864.16
5,770,159 A 6/1998 Marteau D'Autry
D437,797 S * 2/2001 Bishop D10/81
6,461,808 B1 * 10/2002 Bodner et al. 435/4
7,185,551 B2 3/2007 Schwartz
7,690,274 B2 4/2010 Telimaa et al.
2008/0138249 A1 6/2008 Itoh
2011/0263005 A1 * 10/2011 Chang et al. 435/283.1

* cited by examiner

(51) **LOC (10) Cl.** **24-02**
(52) **U.S. Cl.**
USPC **D24/222**
(58) **Field of Classification Search**
USPC D24/216, 222-226, 231, 232, 186, 169,
D24/108, 112-115, 117, 121, 127, 130;
D10/81; 422/521, 501-503; 73/863.32,
73/864.01, 864.16, 864.17, 864.14,
73/864.21; 436/180

Primary Examiner — Anhdao Doan
(74) *Attorney, Agent, or Firm* — White & Case LLP

See application file for complete search history.

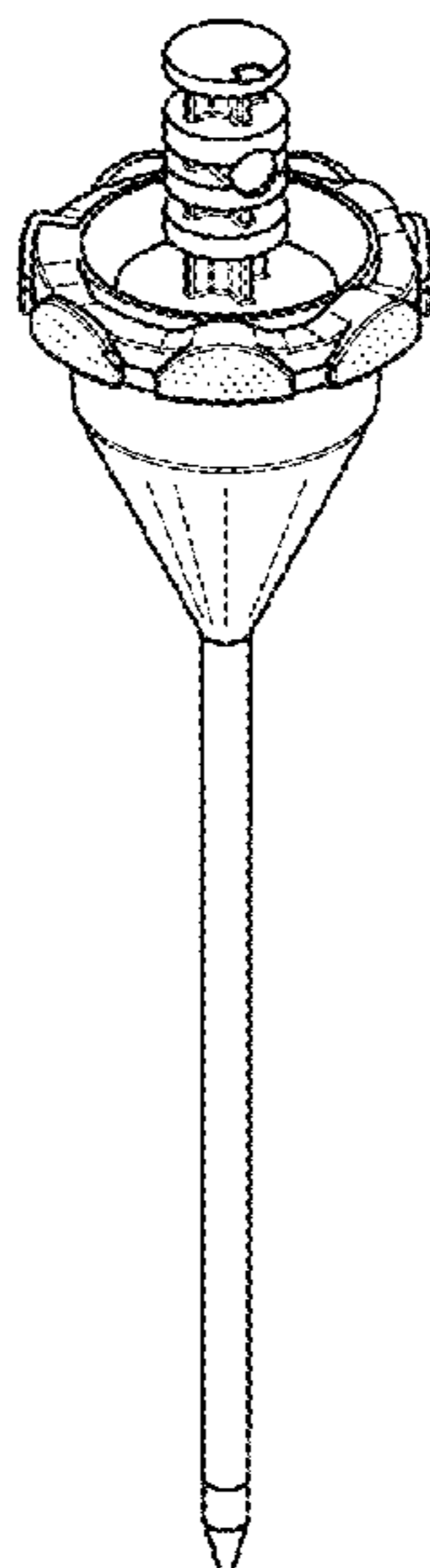
(57) **CLAIM**
The ornamental design for a pipette, as shown and described.

(56) **References Cited**
U.S. PATENT DOCUMENTS
3,308,820 A 3/1967 Hubbard
D229,748 S 1/1974 White
4,108,175 A * 8/1978 Orton 604/168.01
4,164,870 A 8/1979 Scordato et al.
D254,445 S * 3/1980 Boghosian D24/224
D268,131 S 3/1983 St. Amand
4,418,580 A 12/1983 Satchell et al.

DESCRIPTION

FIG. 1 is a left side view of a pipette showing my new design;
FIG. 2 is a front side view of the design of FIG. 1;
FIG. 3 is a right side perspective view of the design of FIG. 1;
FIG. 4 is top perspective view of the design of FIG. 1;
FIG. 5 is a left side view of the design of FIG. 1, showing the
outer pipette cylinder and internal piston as separate compo-
nents; and
FIG. 6 is a top plan view of the design of FIG. 1; and,
FIG. 7 is a bottom plan view of the design of FIG. 1.

1 Claim, 6 Drawing Sheets



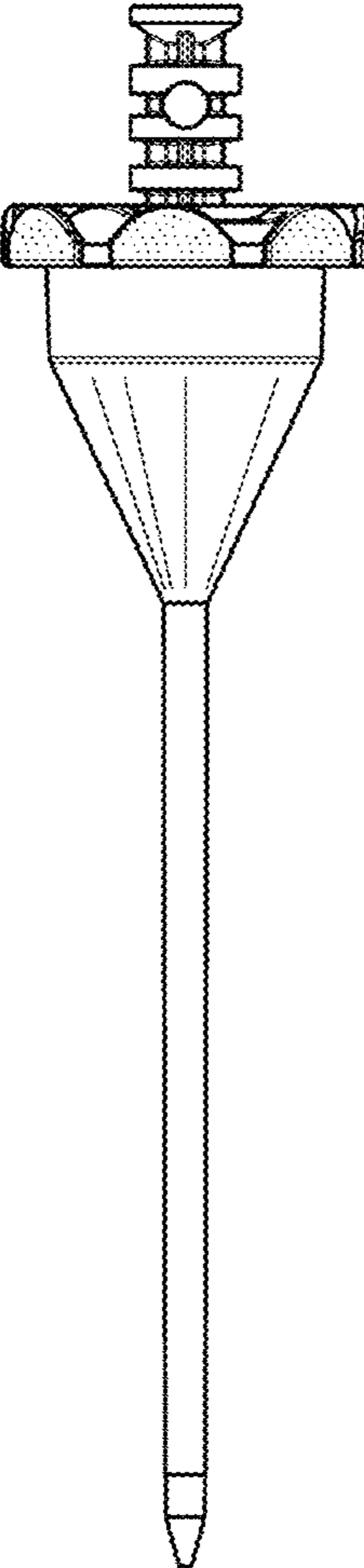


Fig. 1

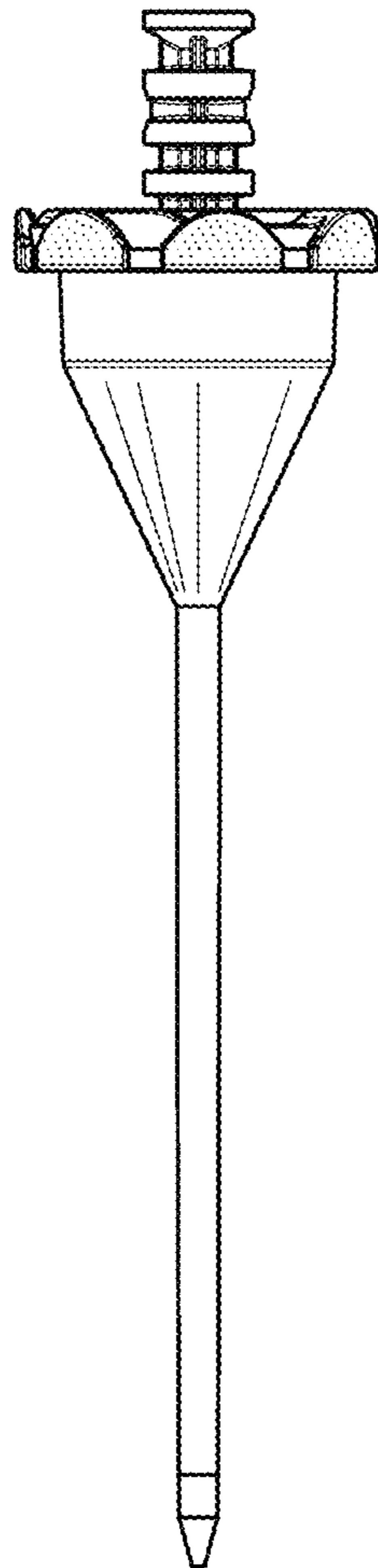


Fig. 2

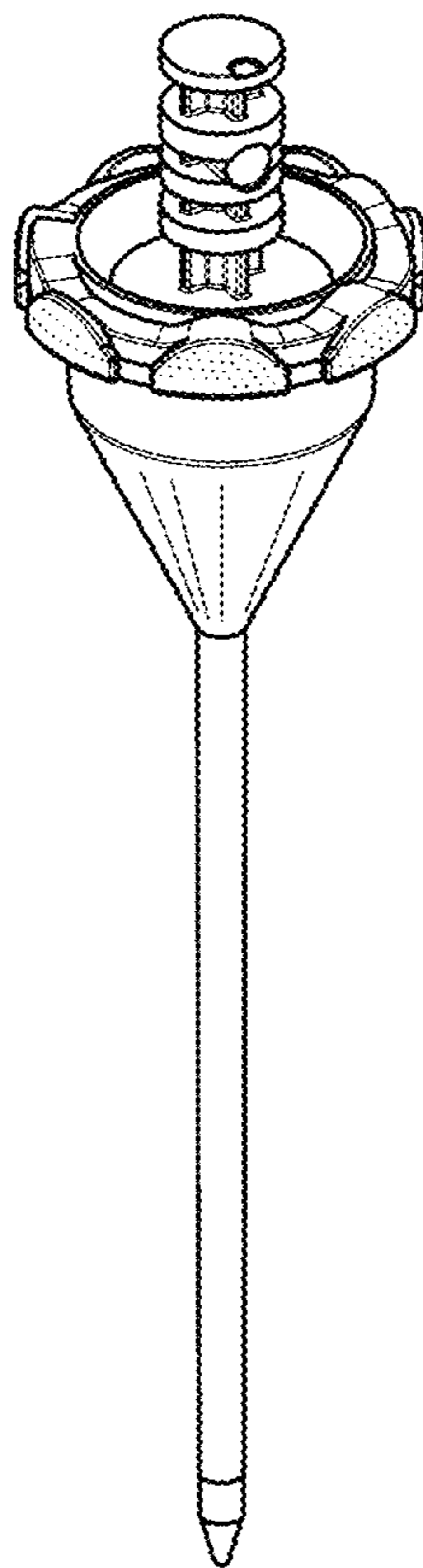


Fig. 3

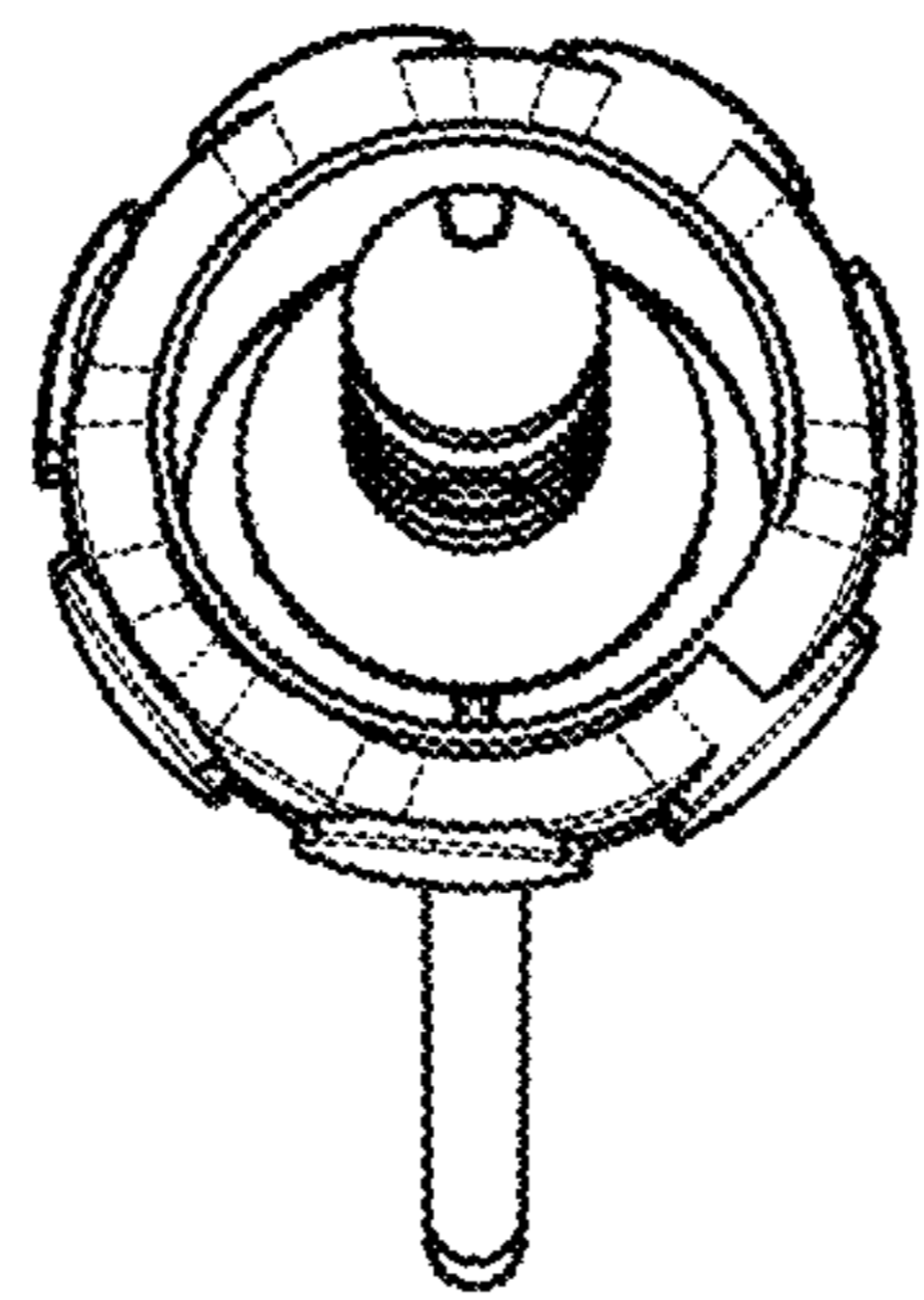


Fig. 4

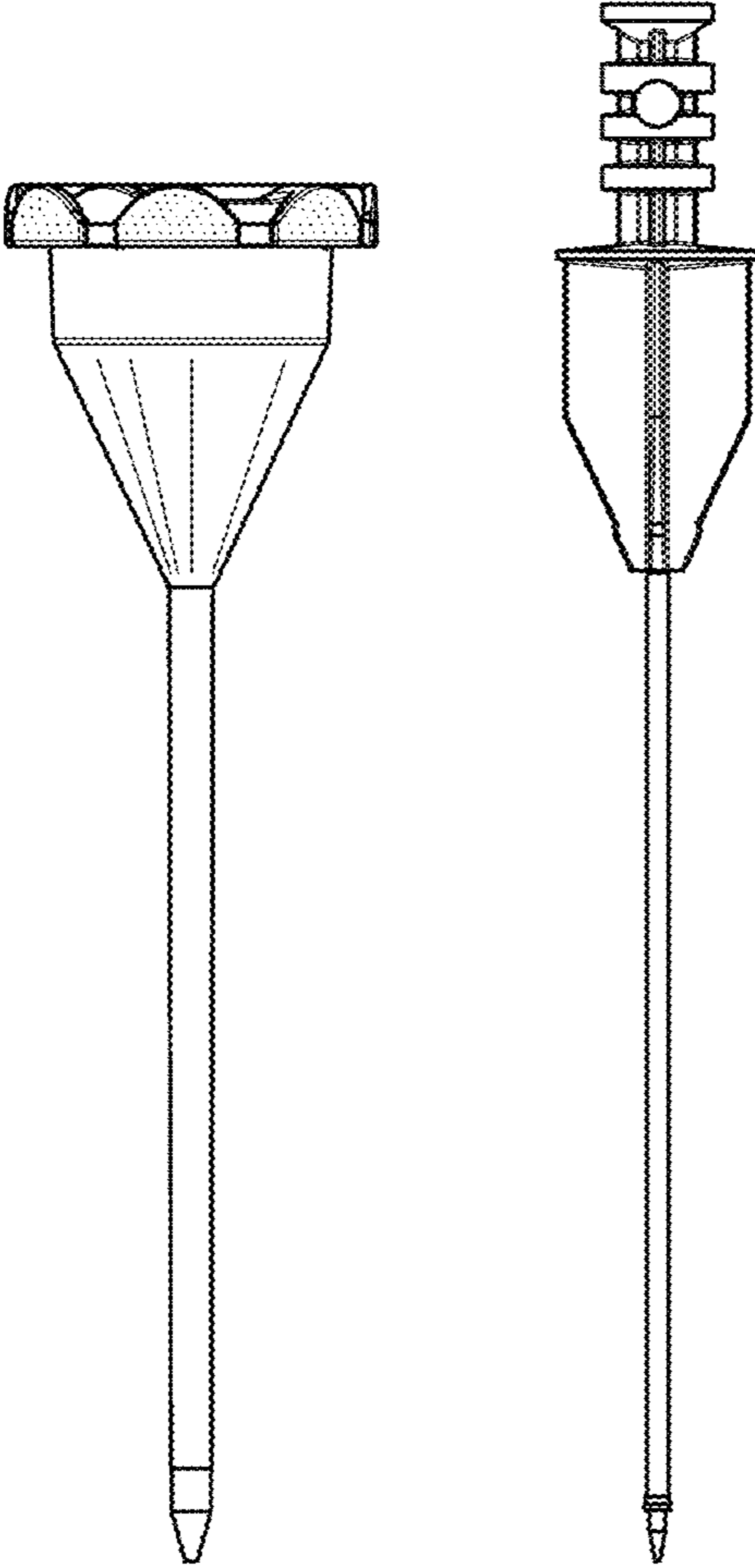


Fig. 5

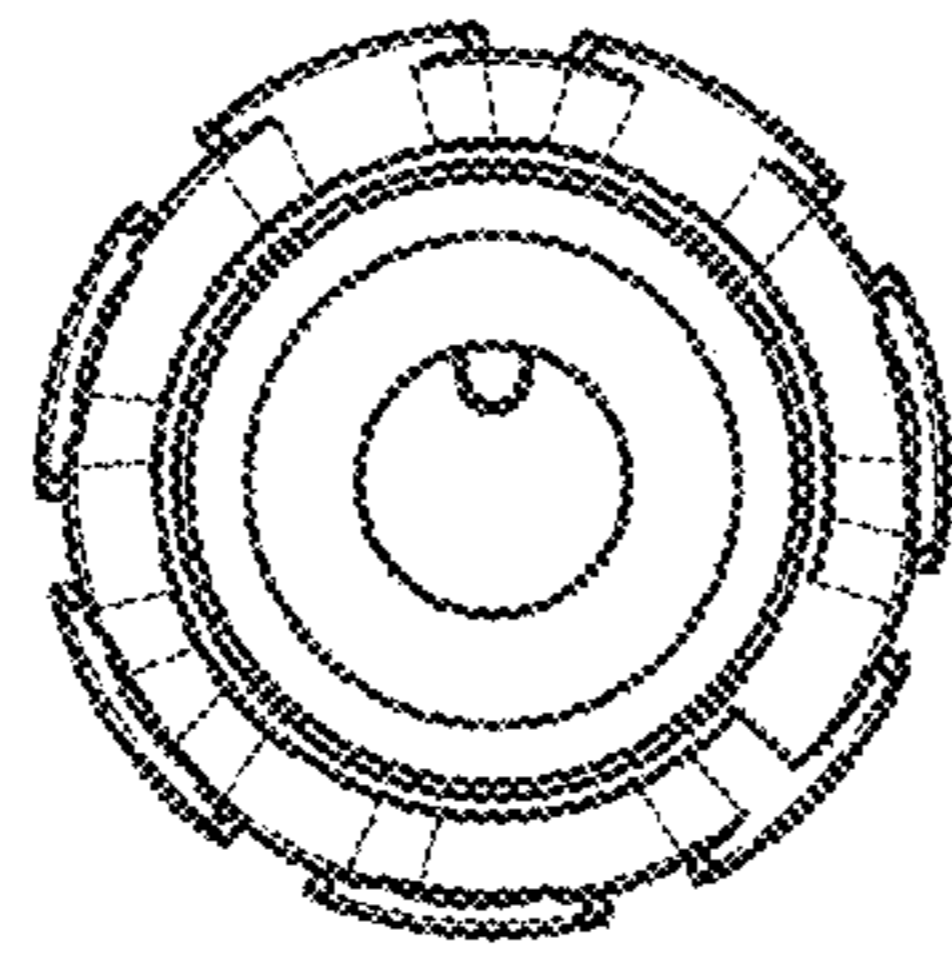


Fig. 6

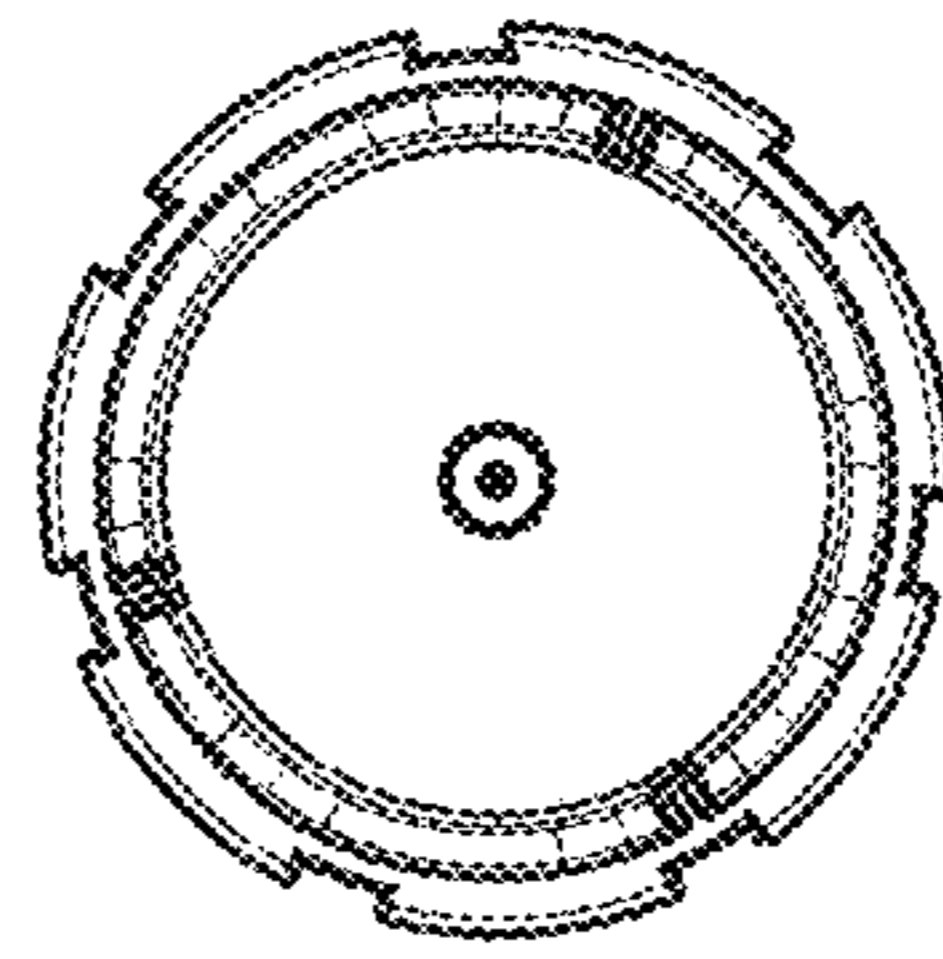


Fig. 7