



US00D706945S

(12) **United States Design Patent**
Chan et al.

(10) **Patent No.:** **US D706,945 S**
(45) **Date of Patent:** **** Jun. 10, 2014**

- (54) **DIAGNOSTIC DEVICE**
- (71) Applicant: **Medmira Inc.**, Halifax (CA)
- (72) Inventors: **Hermes Chan**, Halifax (CA); **Jugal Parekh**, Vapi (IN); **Joyjit Sarkar**, Birmingham (GB)
- (73) Assignee: **Medmira Inc.**, Halifax (CA)
- (**) Term: **14 Years**
- (21) Appl. No.: **29/459,669**
- (22) Filed: **Jul. 2, 2013**
- (51) **LOC (10) Cl.** **24-01**
- (52) **U.S. Cl.**
USPC **D24/216**
- (58) **Field of Classification Search**
USPC D24/216, 217, 219, 223, 231, 232, 233,
D24/107, 169, 186, 224; D10/81; 422/500,
422/547, 62-65, 67, 401, 68.1, 69;
435/287.1, 287.3; 436/43, 45, 47
See application file for complete search history.

D493,232 S *	7/2004	Wohlstadter et al.	D24/216
D498,850 S *	11/2004	Ukon	D24/216
7,241,417 B2 *	7/2007	Lee et al.	422/408
7,544,324 B2 *	6/2009	Tung et al.	422/504
D597,216 S *	7/2009	McGuigan et al.	D24/216
7,837,939 B2 *	11/2010	Tung et al.	422/410
8,025,850 B2 *	9/2011	Chan	422/401
D675,335 S *	1/2013	Feuerabend et al.	D24/216

* cited by examiner

Primary Examiner — Anhdao Doan

(74) *Attorney, Agent, or Firm* — Nixon Peabody LLP; David S. Resnick

(57) **CLAIM**

The ornamental design for a diagnostic device, as shown and described.

DESCRIPTION

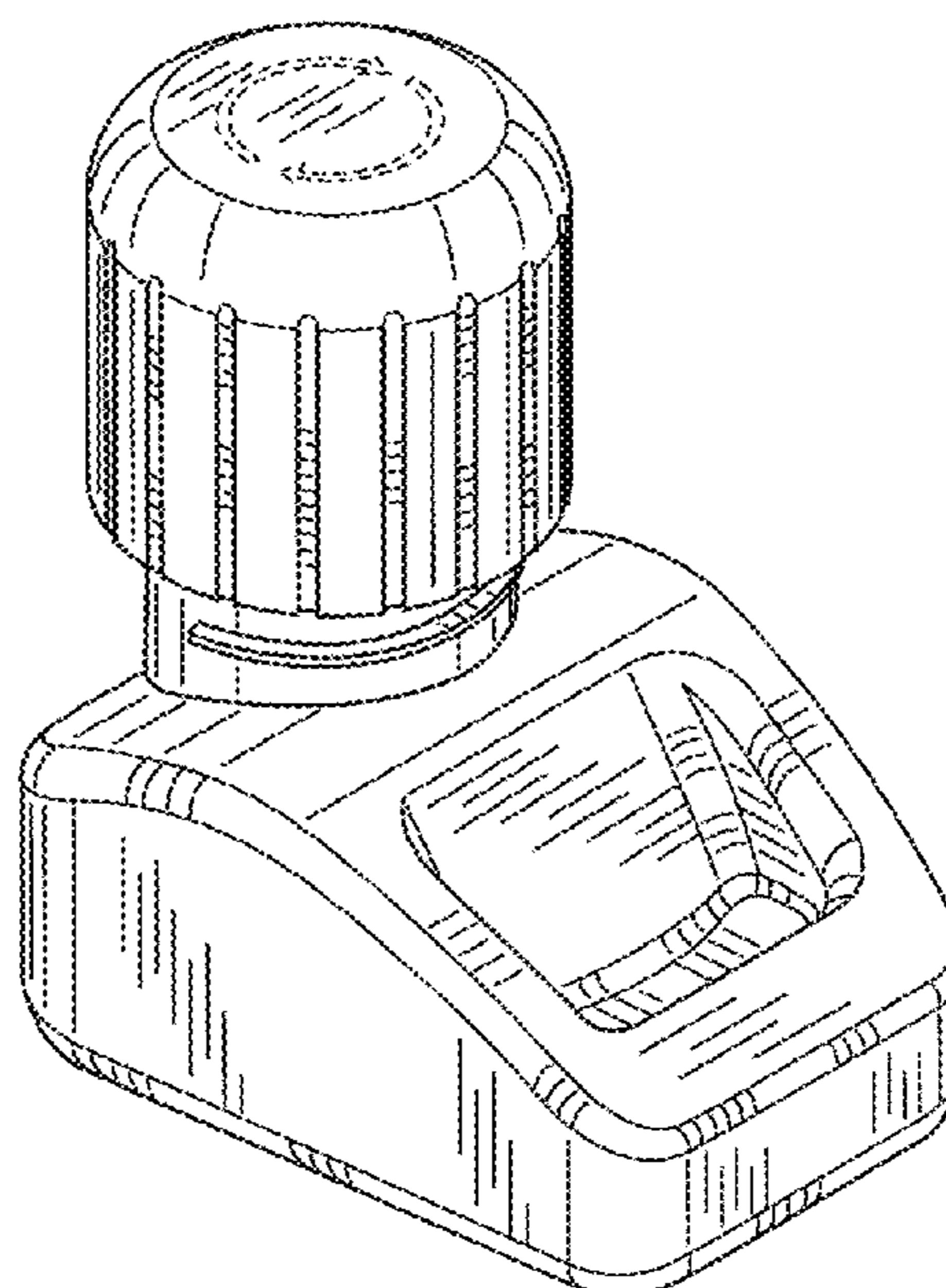
FIG. 1 is a front isometric view of our new, original and ornamental design;
 FIG. 2 is bottom isometric view thereof;
 FIG. 3 is a left side view thereof;
 FIG. 4 is a front side view thereof;
 FIG. 5 is a right side view thereof;
 FIG. 6 is a back side view thereof;
 FIG. 7 is a top plan view thereof; and,
 FIG. 8 is a bottom plan view thereof.
 The broken dash lines in the diagnostic device are directed to environment and are for illustrative purposes only. The broken dash lines form no part of the claimed design.

1 Claim, 4 Drawing Sheets

(56) **References Cited**

U.S. PATENT DOCUMENTS

D348,521 S *	7/1994	Meyers et al.	D24/223
6,300,142 B1 *	10/2001	Andrewes et al.	436/518
D467,665 S *	12/2002	Niedbala et al.	D24/223
D470,595 S *	2/2003	Crisanti et al.	D24/216



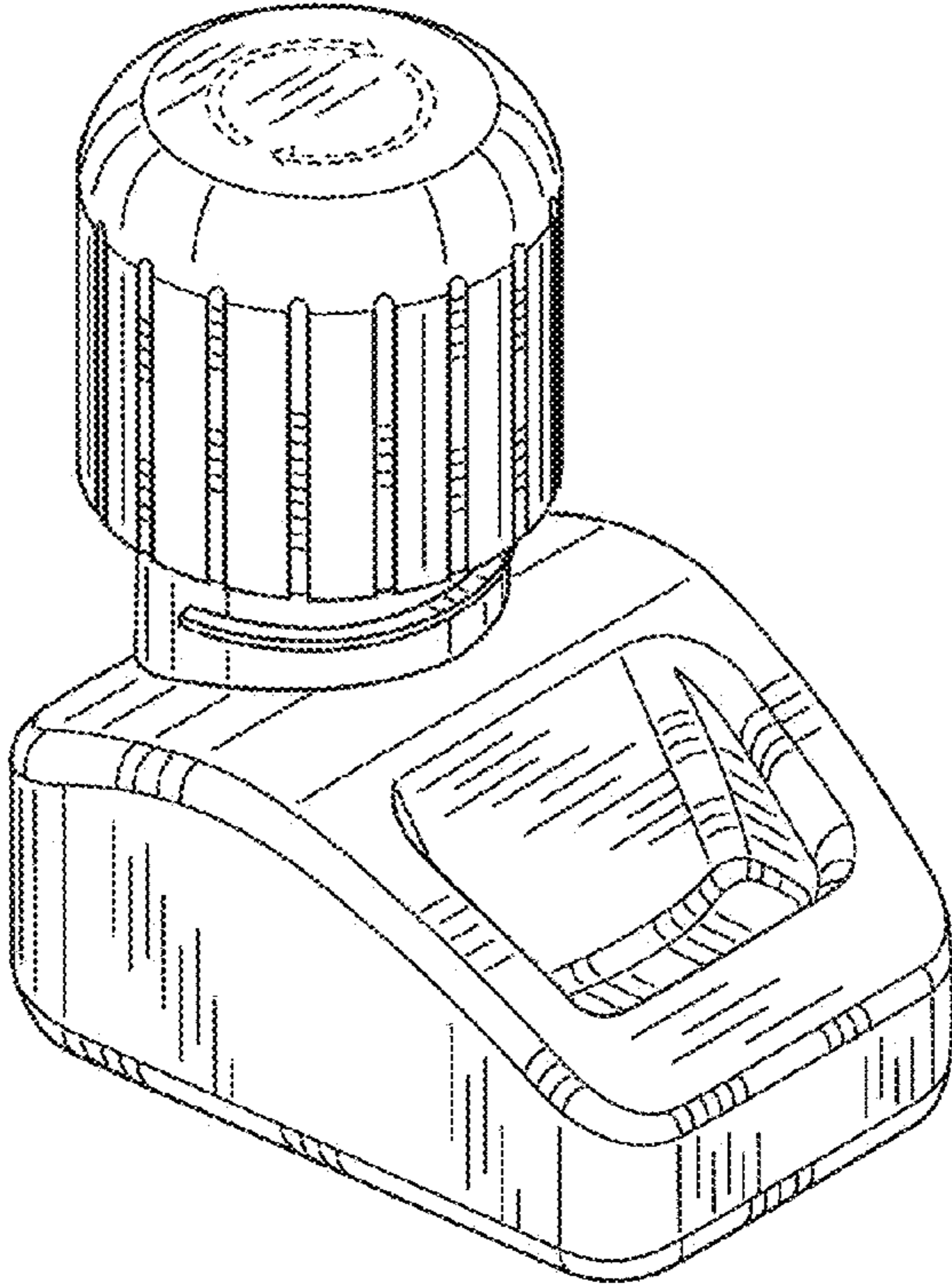


FIG. 1

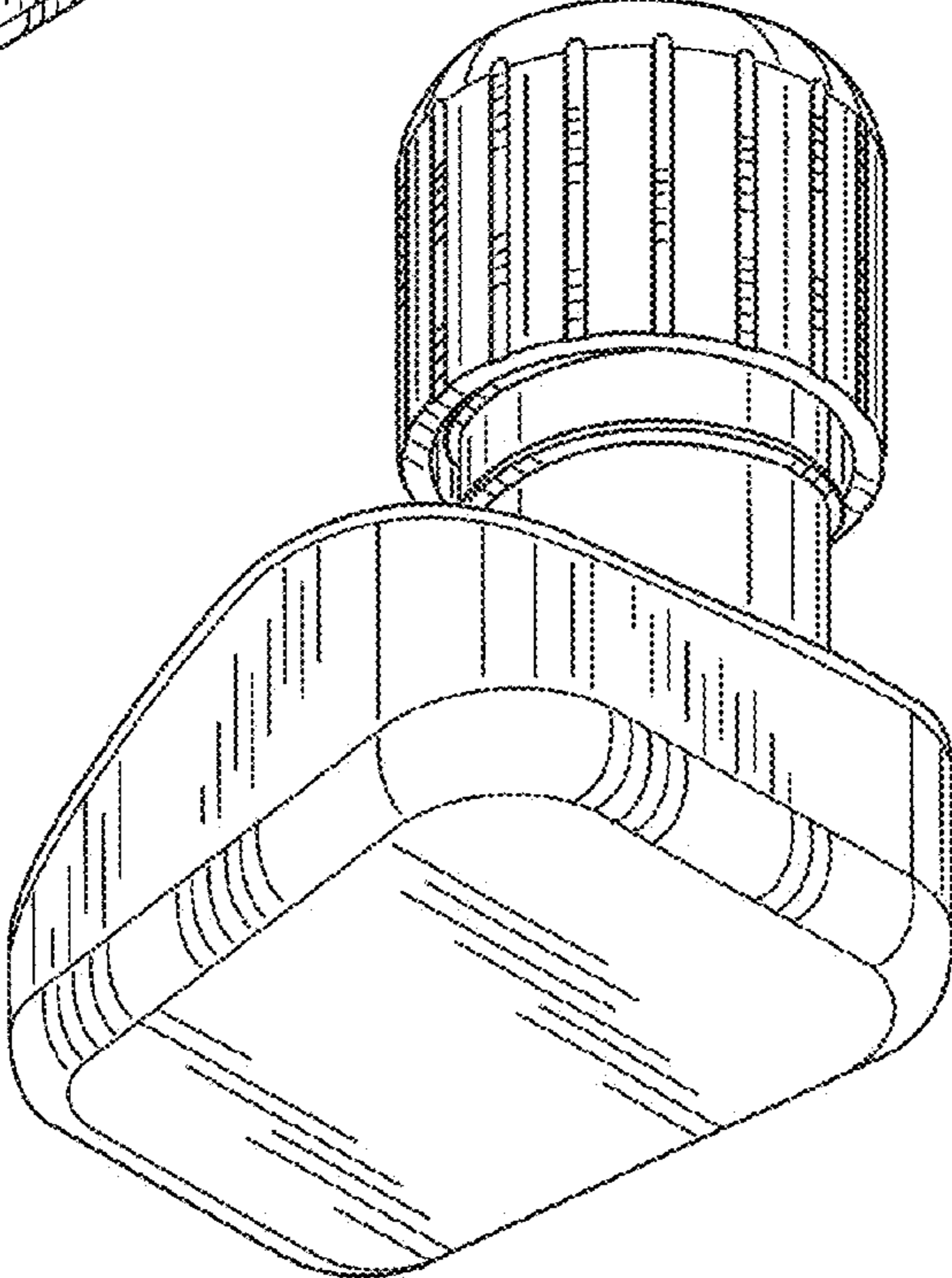


FIG. 2

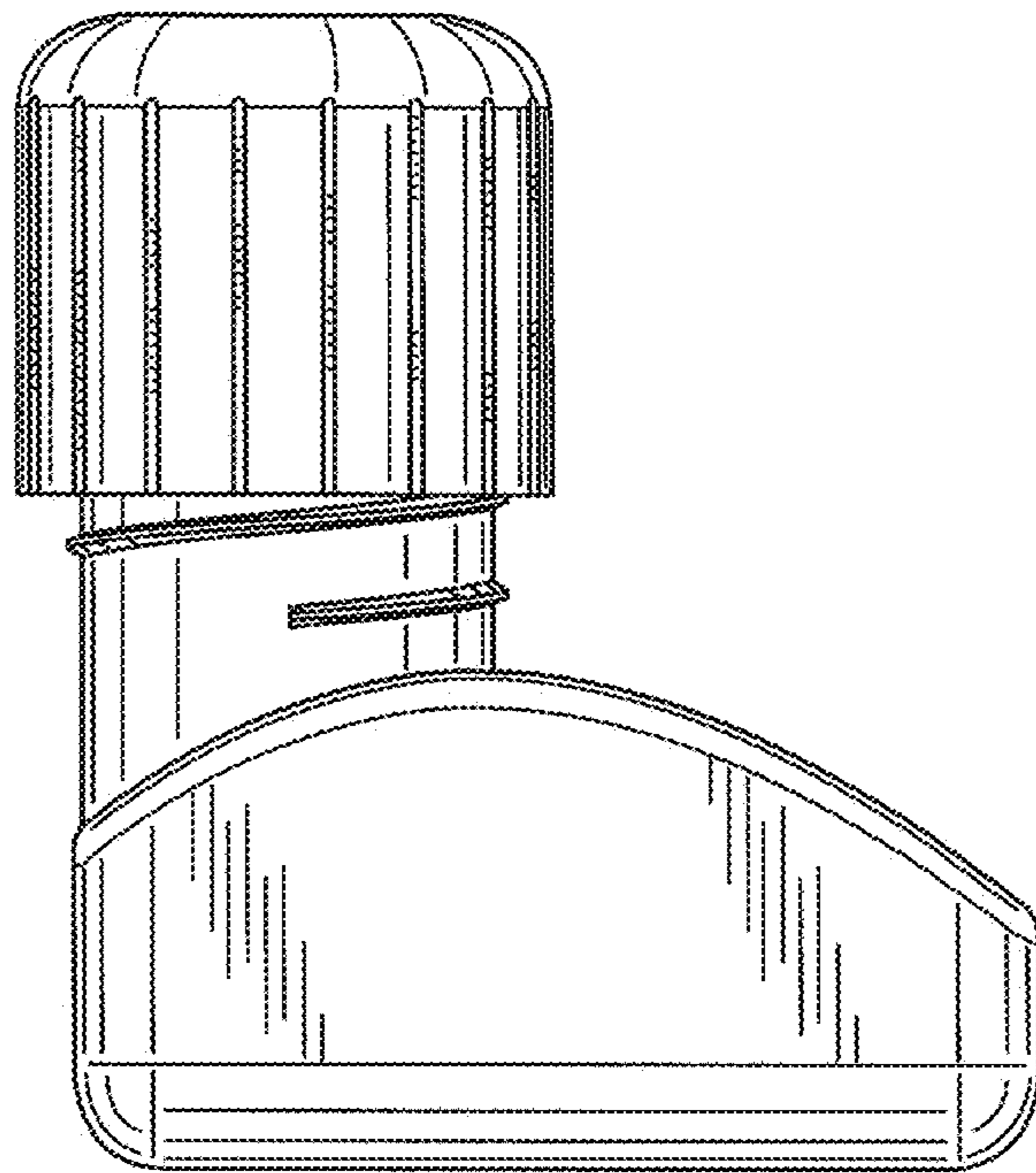


FIG. 3

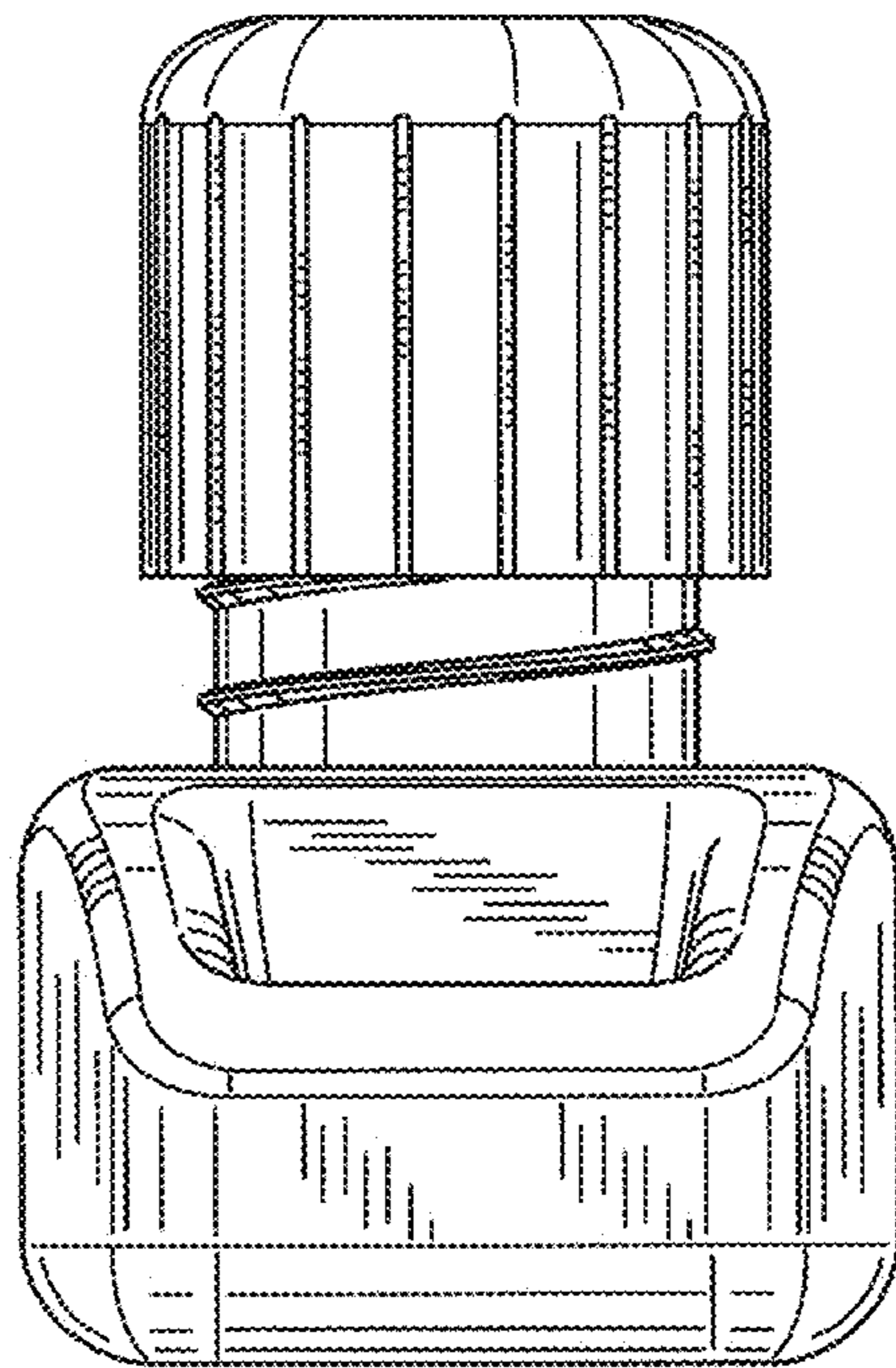


FIG. 4

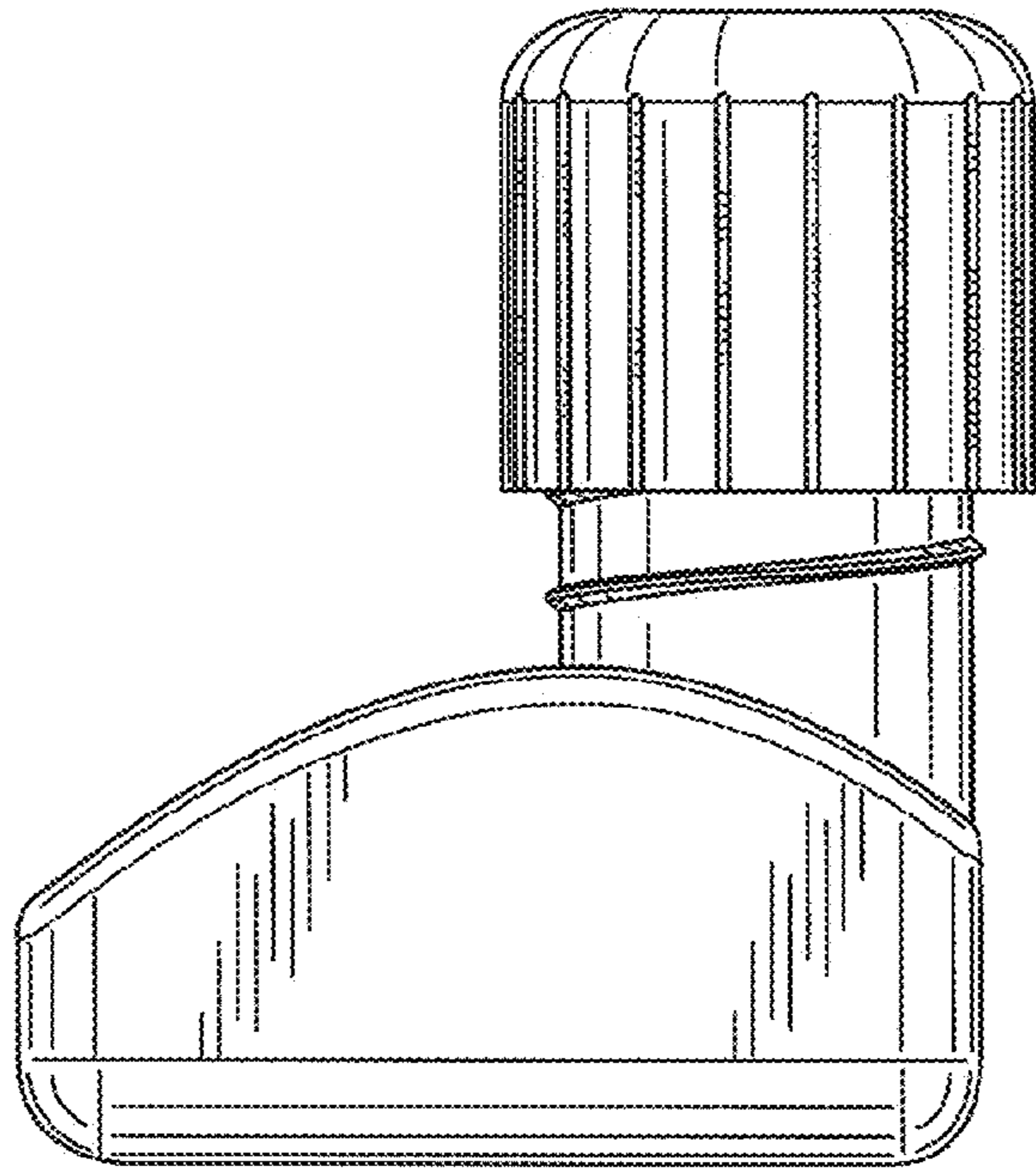


FIG. 5

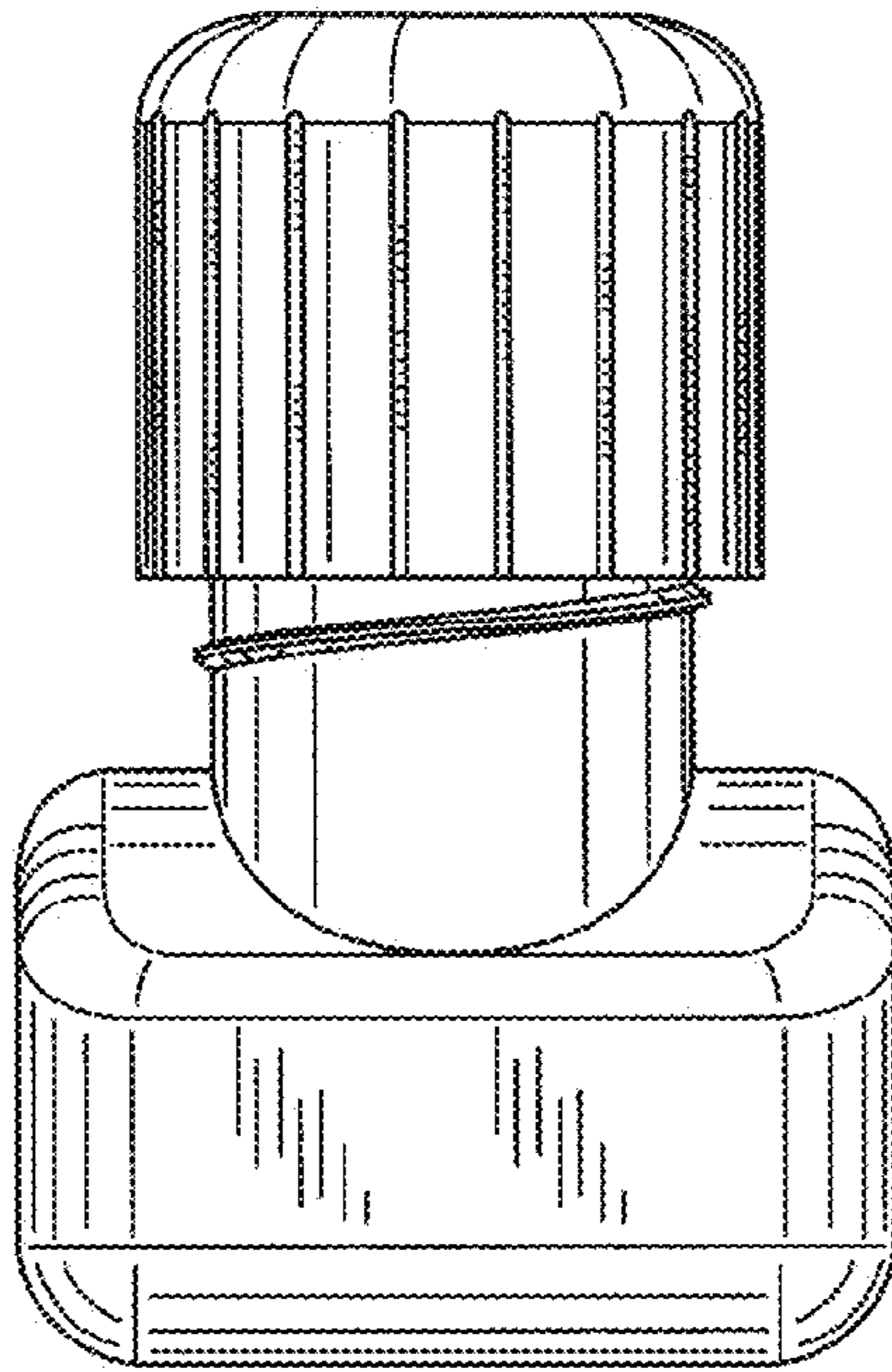


FIG. 6

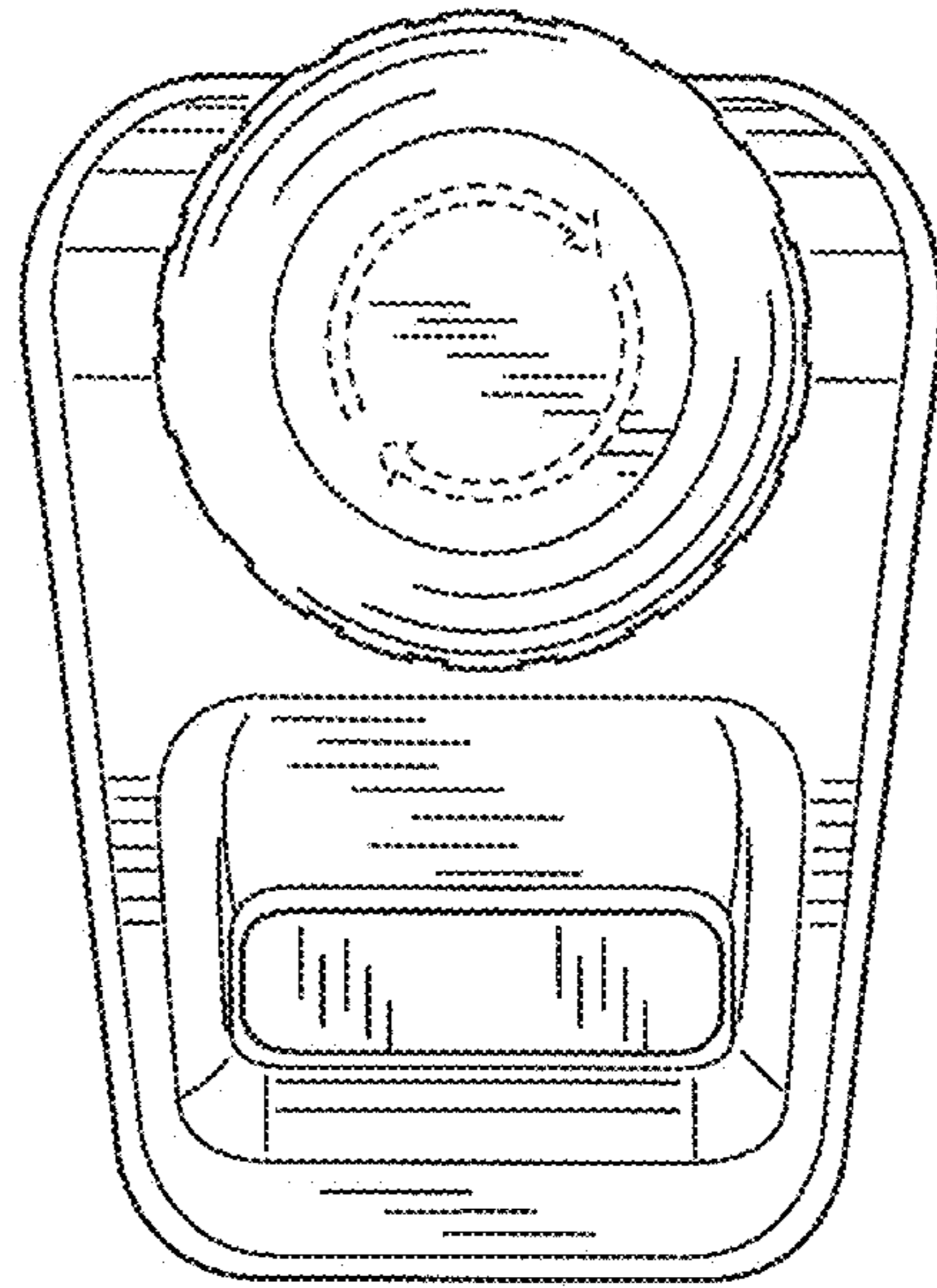


FIG. 7

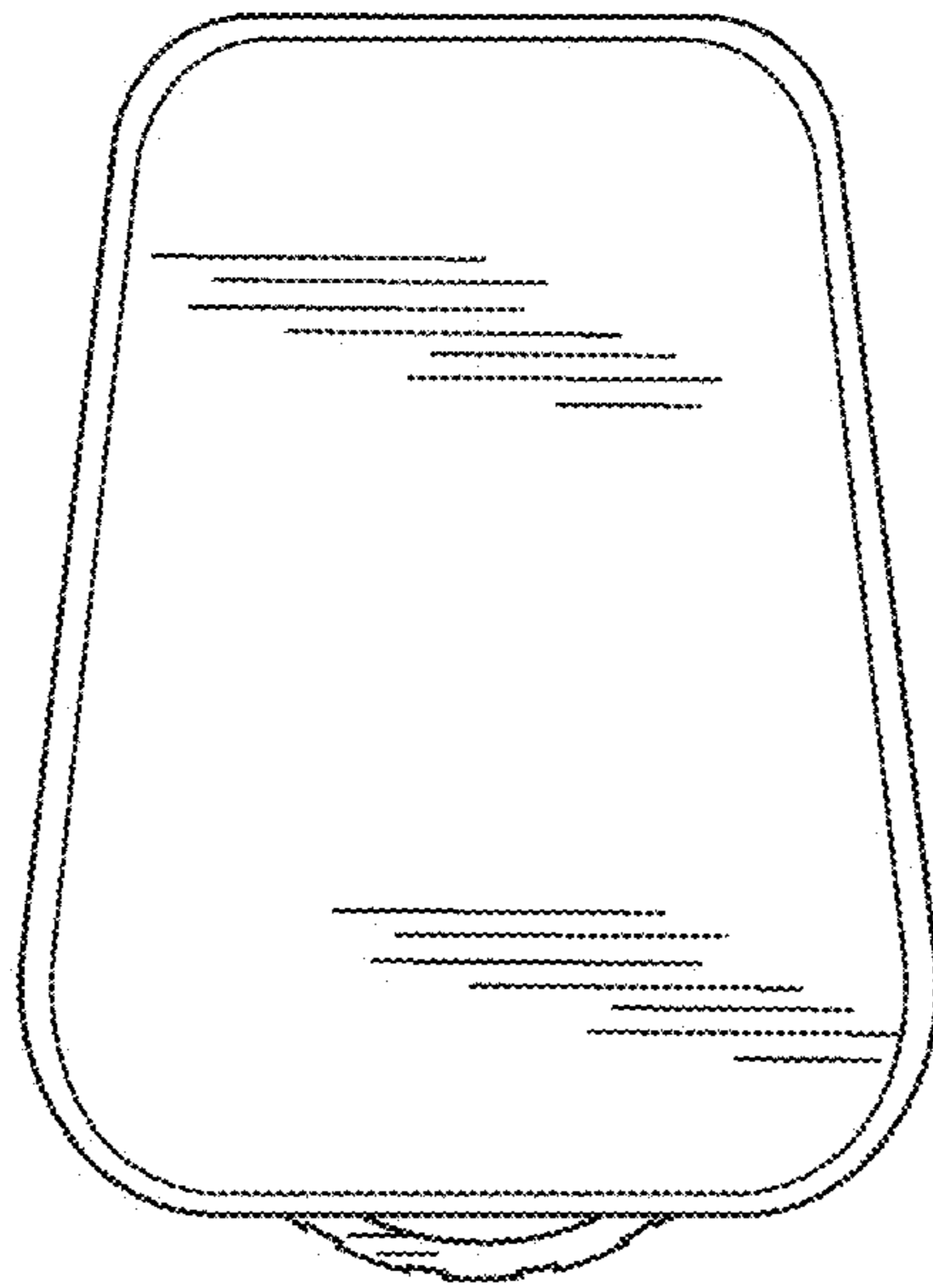


FIG. 8