



US00D706944S

(12) **United States Design Patent**
Igaue et al.

(10) **Patent No.:** **US D706,944 S**
(45) **Date of Patent:** **** Jun. 10, 2014**

(54) **BODY WARMER**

(71) Applicant: **Kobayashi Pharmaceutical Co., Ltd.**,
Osaka (JP)

(72) Inventors: **Tsuyoshi Igaue**, Osaka (JP); **Tetsuya Maruyama**, Hyogo (JP)

(73) Assignee: **Kobayashi Pharmaceutical Co., Ltd.**
(JP)

(**) Term: **14 Years**

(21) Appl. No.: **29/456,043**

(22) Filed: **May 28, 2013**

(30) **Foreign Application Priority Data**

Nov. 29, 2012 (CN) 2012 3 0586922

(51) **LOC (10) Cl.** **24-04**

(52) **U.S. Cl.**
USPC **D24/206**

(58) **Field of Classification Search**
USPC D24/128, 188, 200, 201, 206, 207, 216,
D24/224, 227, 229, 230; D9/400-433,
D9/500-502, 737; D3/205, 299; 128/95.1,
128/96.1, 99.1, 845-846; 602/19, 21
See application file for complete search history.

(56) **References Cited**

U.S. PATENT DOCUMENTS

4,622,957 A * 11/1986 Curlee 602/13
5,195,948 A * 3/1993 Hill et al. 602/19
D342,790 S * 12/1993 Zona D24/207
D353,205 S * 12/1994 Canavan D24/206
5,450,858 A * 9/1995 Zablotzky et al. 128/876
D403,422 S * 12/1998 Affholter D24/188
D420,746 S * 2/2000 Cardy D24/225
D483,125 S * 12/2003 Hoglund et al. D24/206

D496,108 S * 9/2004 Machin et al. D24/206
D518,953 S * 4/2006 Kenimer et al. D3/224
D535,401 S * 1/2007 Travis et al. D24/210
D583,479 S 12/2008 Yim
D587,811 S * 3/2009 Uchiyama et al. D24/206
D609,357 S * 2/2010 Yim D24/206
D609,360 S * 2/2010 Yim D24/206
D627,078 S * 11/2010 Matsuo et al. D24/206
D628,705 S * 12/2010 Usui et al. D24/206
D655,821 S * 3/2012 Matsuo D24/206
D656,235 S * 3/2012 Howell D24/207
D683,040 S * 5/2013 Arsenault et al. D24/206
D693,015 S * 11/2013 Dubbe D24/206
2009/0326427 A1 * 12/2009 Kawahara 602/19
2013/0030338 A1 * 1/2013 Hinshon et al. 602/19
2013/0116609 A1 * 5/2013 Matsuo et al. 602/19

FOREIGN PATENT DOCUMENTS

CA 119707 6/2008

* cited by examiner

Primary Examiner — Eric Goodman

Assistant Examiner — John Reickel

(74) *Attorney, Agent, or Firm* — SAIDMAN DesignLaw Group

(57) **CLAIM**

The ornamental design for a body warmer, as shown and described.

DESCRIPTION

FIG. 1 is a first perspective view of a body warmer;
FIG. 2 is a second perspective view thereof;
FIG. 3 is a front view thereof;
FIG. 4 is a rear view thereof;
FIG. 5 is a left side view thereof, the opposite side being a mirror image of the side shown herein;
FIG. 6 is a top view thereof; and,
FIG. 7 is a bottom view thereof.

1 Claim, 3 Drawing Sheets

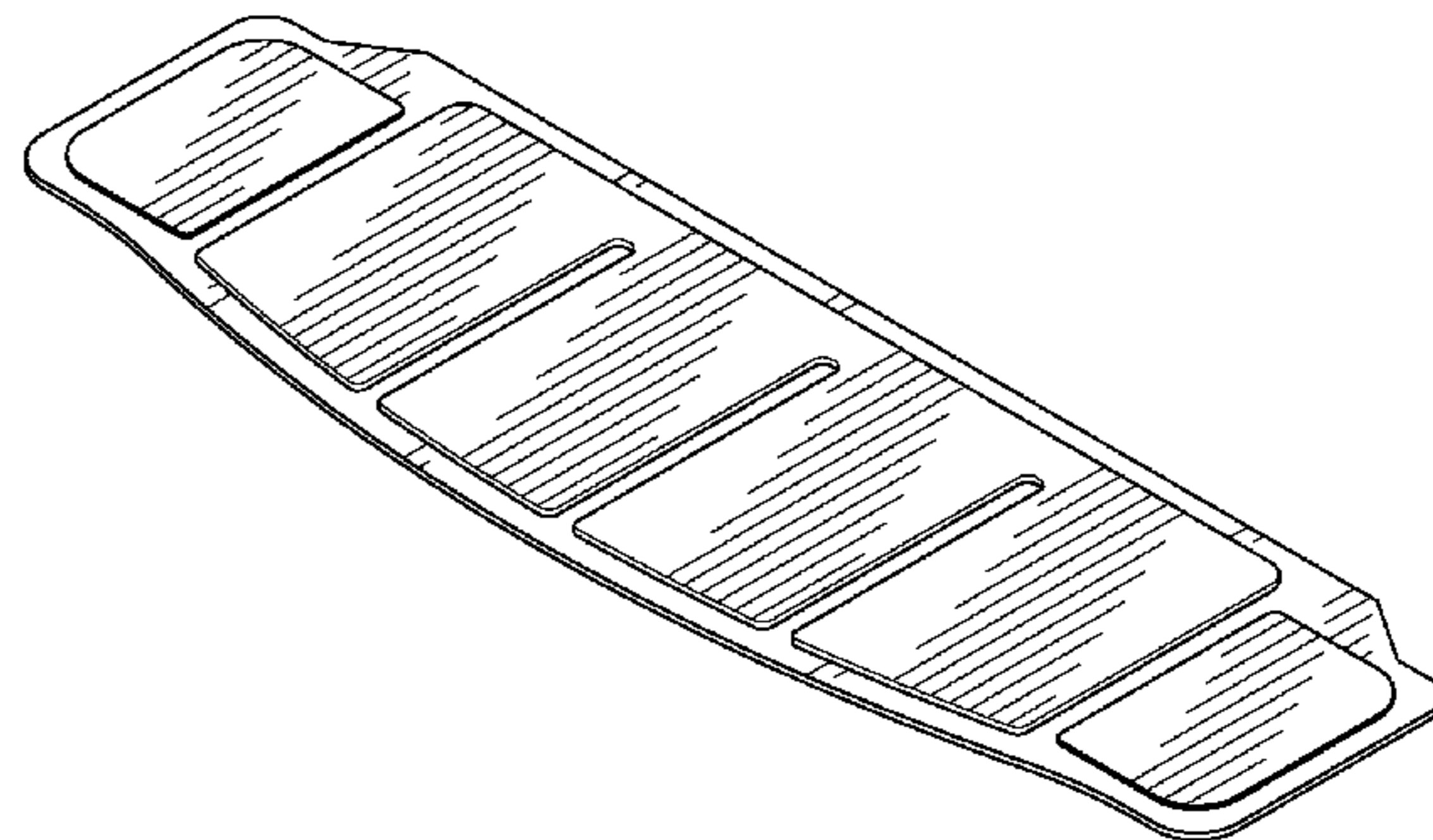
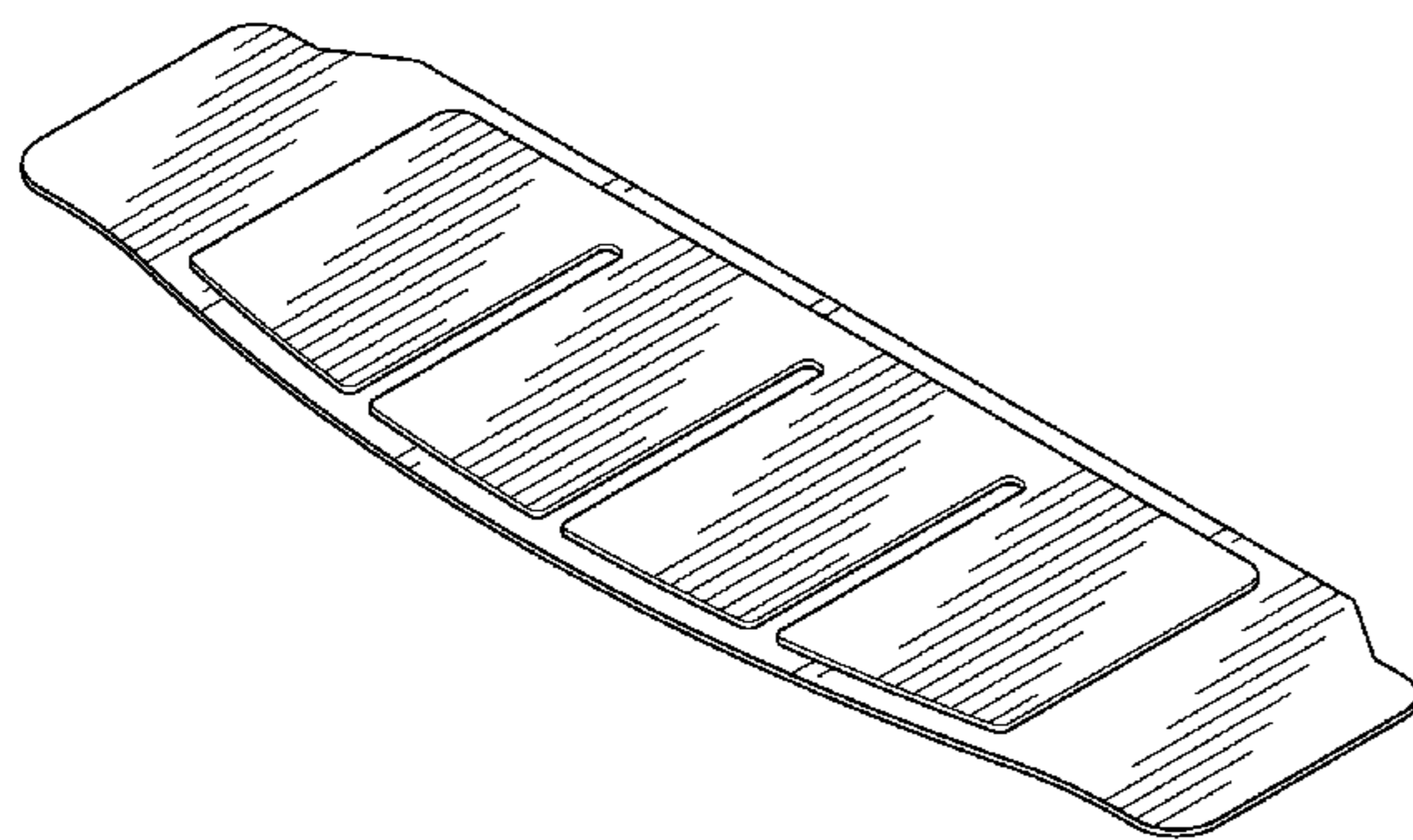


FIG.1

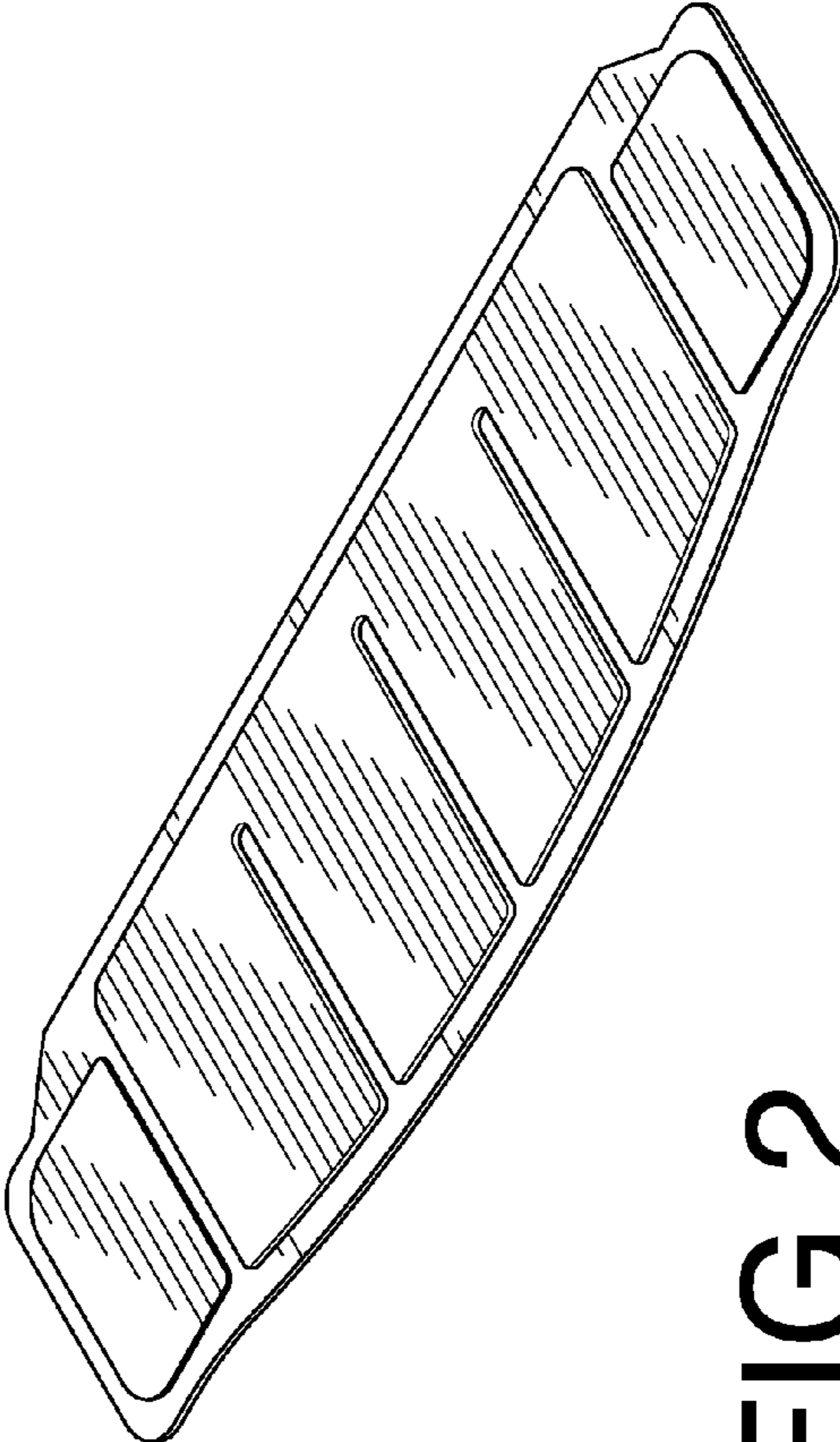
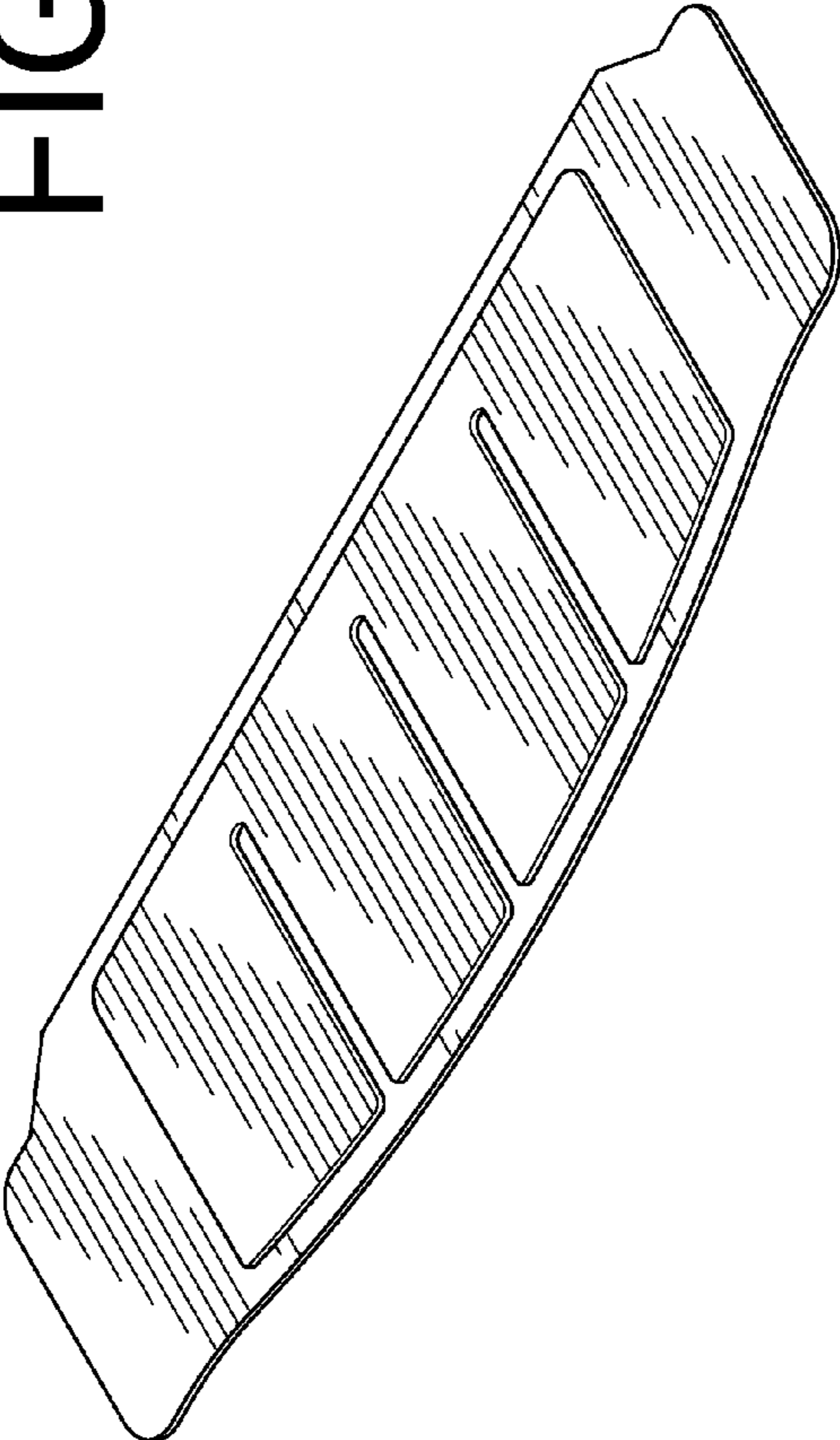


FIG.2

FIG. 3

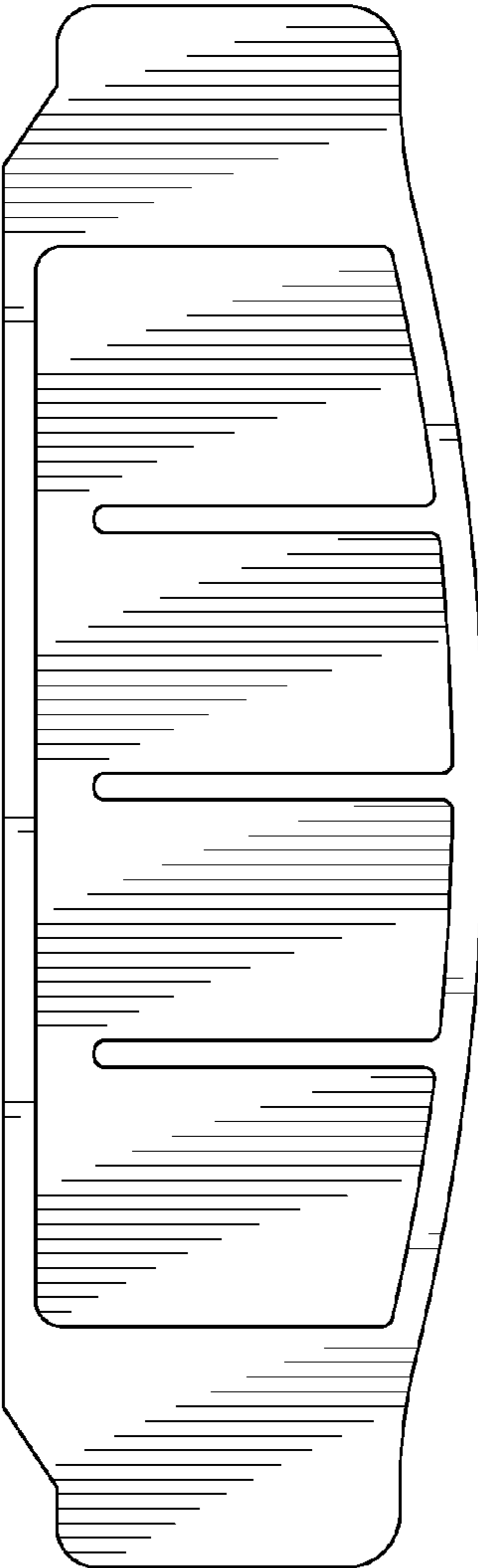


FIG. 4

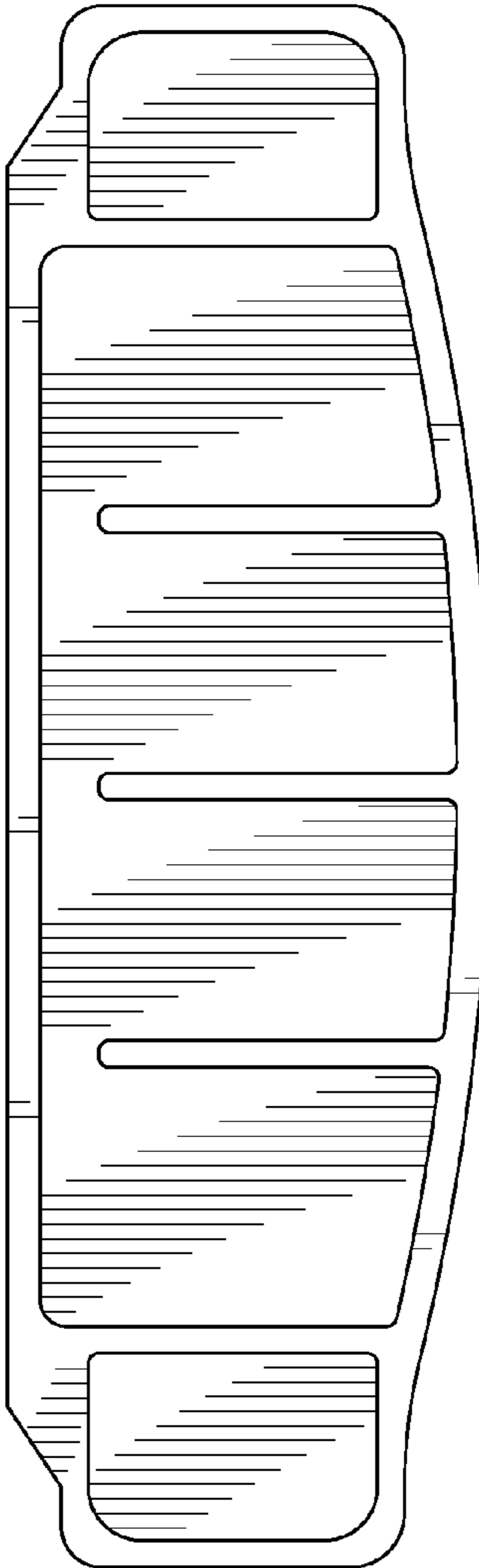


FIG. 6



FIG. 7



FIG. 5

