



US00D706942S

(12) **United States Design Patent**
Bradshaw

(10) **Patent No.:** **US D706,942 S**
(45) **Date of Patent:** **** Jun. 10, 2014**

- (54) **ANKLE-FOOT ORTHOTIC**
- (71) Applicant: **Scott Orthotics, LLC**, Spearfish, SD (US)
- (72) Inventor: **Jason L. Bradshaw**, Eaton, CO (US)
- (73) Assignee: **Scott Orthotics, LLC**, Spearfish, SD (US)
- (**) Term: **14 Years**
- (21) Appl. No.: **29/468,465**
- (22) Filed: **Sep. 30, 2013**

2005/0145256	A1*	7/2005	Howard et al.	128/882
2005/0172517	A1*	8/2005	Bledsoe et al.	36/110
2005/0274046	A1*	12/2005	Schwartz	36/110
2006/0116617	A1	6/2006	Bradshaw	
2007/0191749	A1*	8/2007	Barberio	602/23
2008/0294082	A1*	11/2008	Chang et al.	602/28
2009/0192427	A1*	7/2009	Brown et al.	602/27

(Continued)

FOREIGN PATENT DOCUMENTS

EM 002305565-001 9/2013

OTHER PUBLICATIONS

Corresponding Canadian Industrial Design Application No. 152945, filed Sep. 11, 2013, 8 total pages.

Primary Examiner — Eric Goodman

Assistant Examiner — Jennifer Watkins

(74) *Attorney, Agent, or Firm* — Craig R. Miles; CR Miles P.C.

Related U.S. Application Data

- (63) Continuation of application No. 29/448,501, filed on Mar. 12, 2013, now Pat. No. Des. 693,471.
- (51) **LOC (10) Cl.** **24-01**
- (52) **U.S. Cl.**
USPC **D24/192**
- (58) **Field of Classification Search**
CPC A61F 5/012; A61F 5/0195; A61F 5/011;
A61F 13/065; A61F 13/0661
USPC D24/190, 192; 602/5, 6, 7, 16, 23, 27,
602/28, 60, 61, 62, 65, 66; 128/882
See application file for complete search history.

(57) **CLAIM**

I claim the ornamental design for an ankle-foot orthotic, as shown and described.

DESCRIPTION

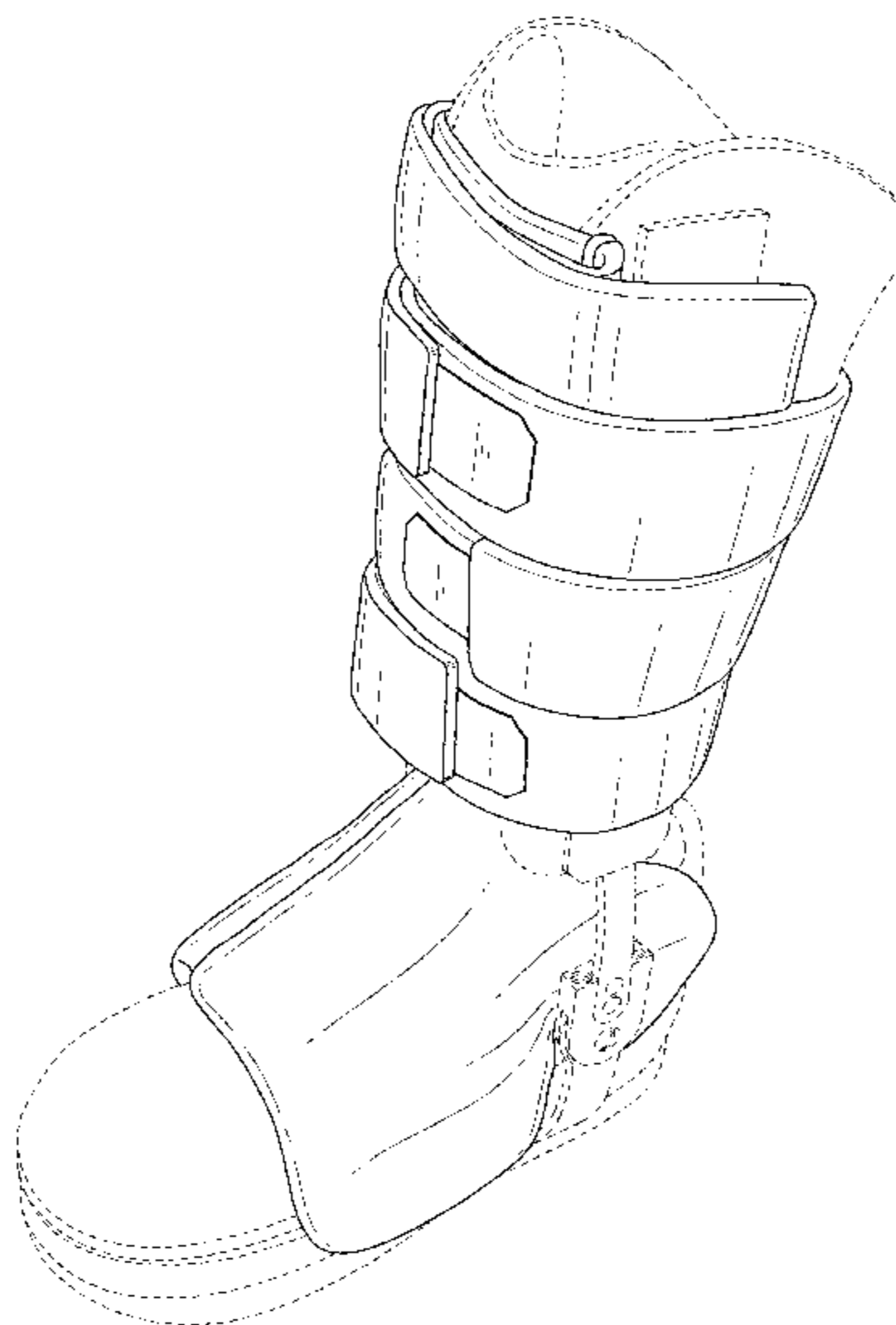
FIG. 1 is a top and left side perspective of an ankle-foot orthotic, embodying my new design; FIG. 2 is a front elevation view thereof; FIG. 3 is a rear elevation view thereof; FIG. 4 is a left side elevation view thereof; FIG. 5 is a right side elevation view thereof; FIG. 6 is a top plan view thereof; and, FIG. 7 is a bottom plan view thereof. The broken lines shown are included for the purpose of illustrating the unclaimed portions of the article and form no part of the claim.

(56) **References Cited**

U.S. PATENT DOCUMENTS

D363,780	S *	10/1995	Darby et al.	D24/192
D481,798	S *	11/2003	Slautterback et al.	D24/192
D500,855	S *	1/2005	Pick et al.	D24/192
6,976,972	B2	12/2005	Bradshaw	
D592,755	S *	5/2009	Chang et al.	D24/192
D616,556	S *	5/2010	Hu	D24/192
D664,259	S *	7/2012	Joseph	D24/192
D693,471	S	11/2013	Bradshaw	
2005/0131324	A1*	6/2005	Bledsoe	602/23

1 Claim, 6 Drawing Sheets



US D706,942 S

Page 2

(56)

References Cited

U.S. PATENT DOCUMENTS

2012/0116275	A1*	5/2012	Pochatko	602/13
2013/0066247	A1*	3/2013	Bird et al.	602/13
2013/0310721	A1*	11/2013	Hu et al.	602/13
2012/0078148	A1*	3/2012	Hu et al.	602/13

* cited by examiner

FIG. 1

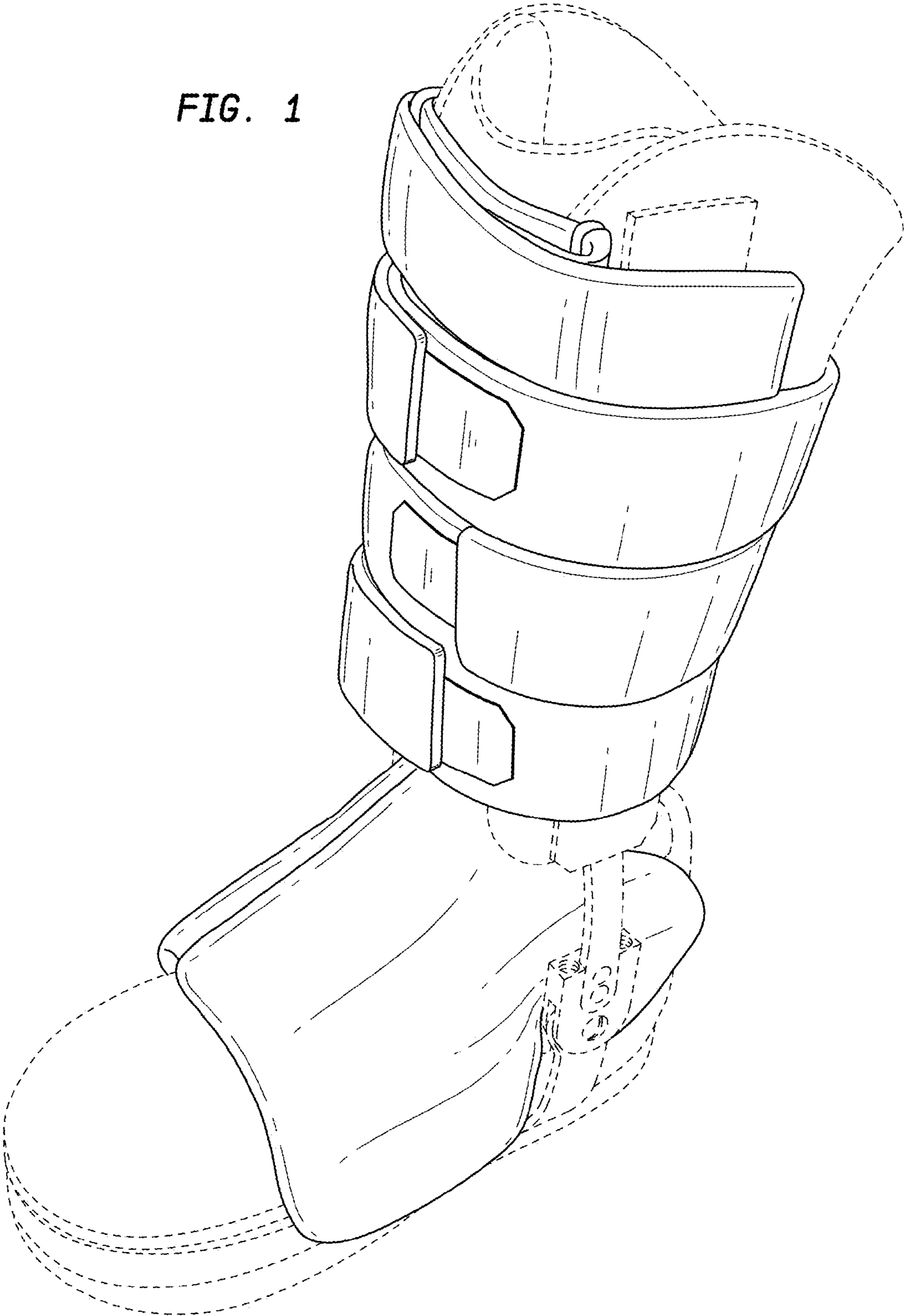


FIG. 2

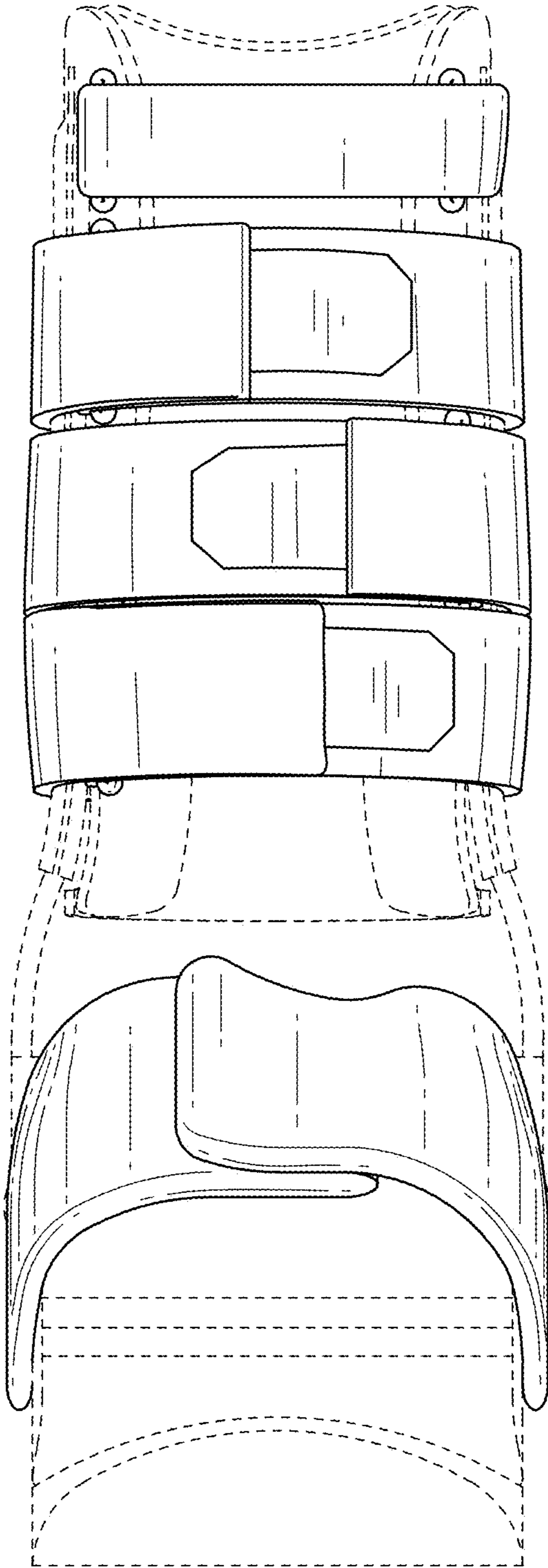


FIG. 3

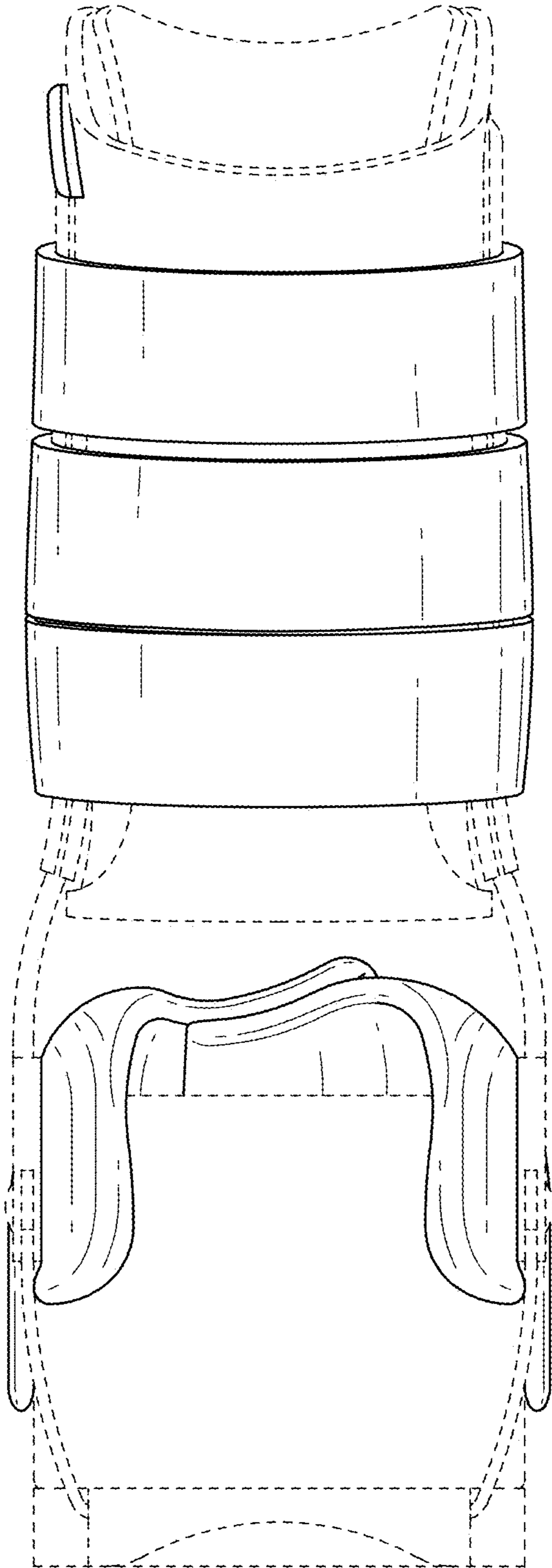


FIG. 4

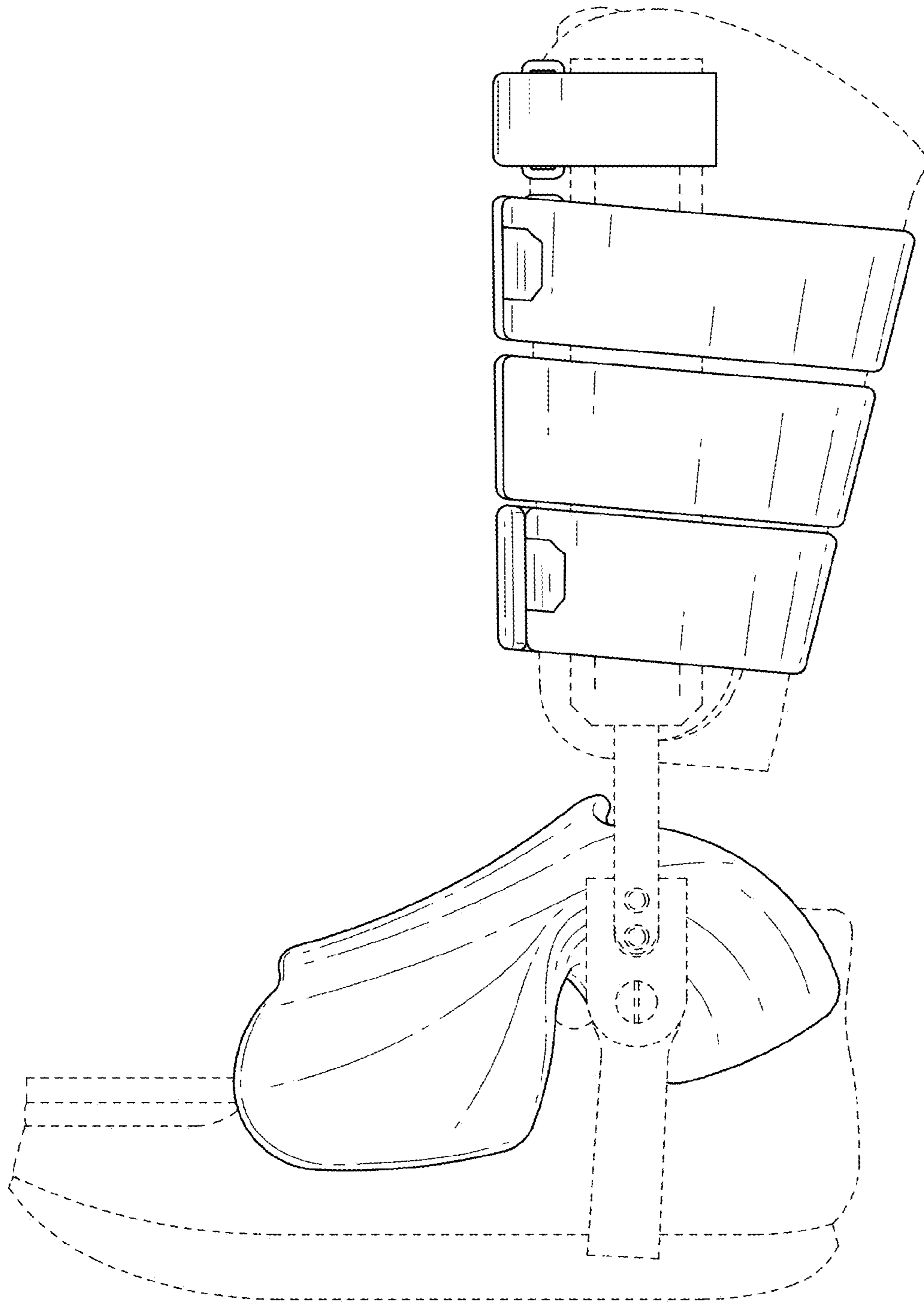


FIG. 5

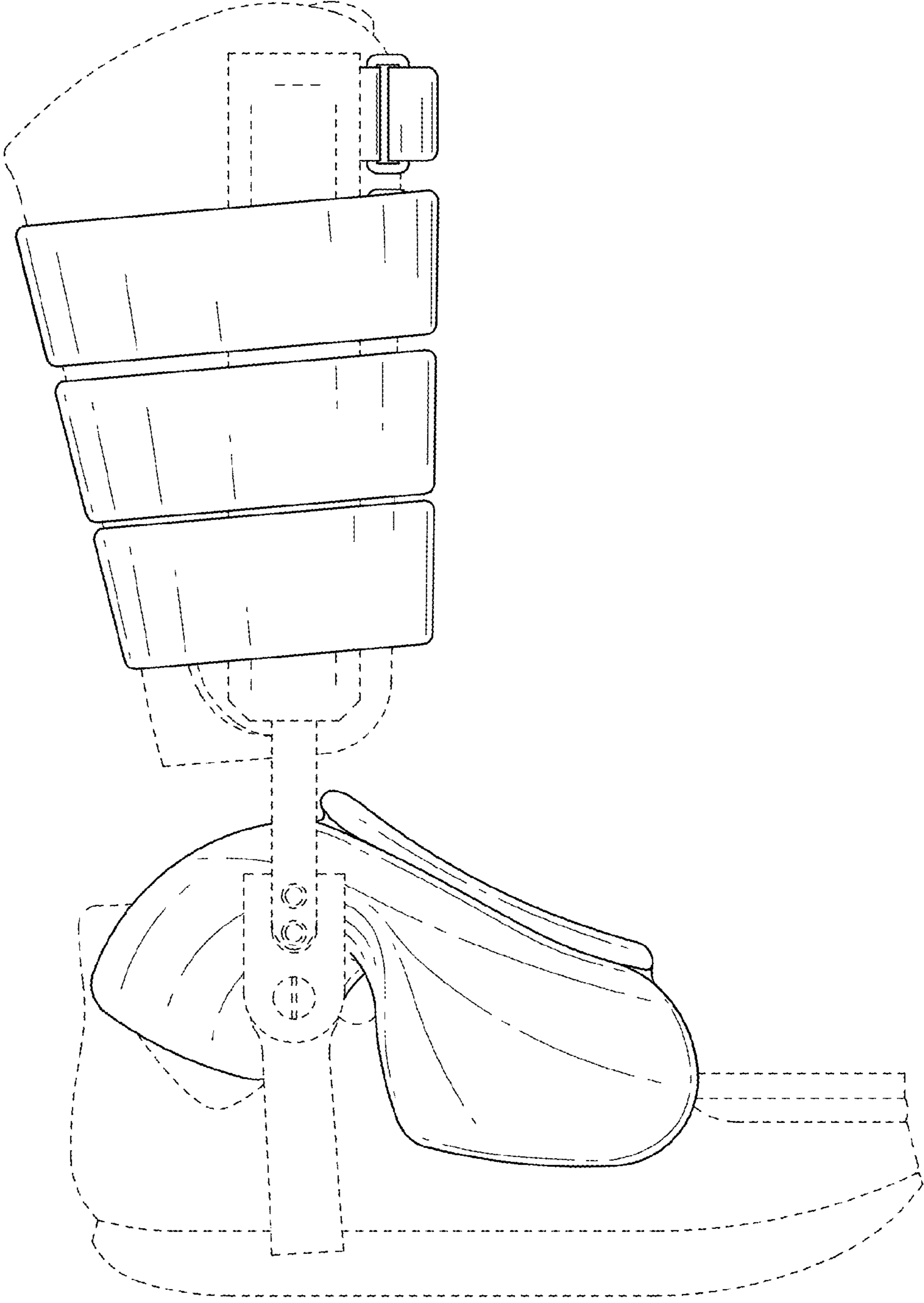


FIG. 6

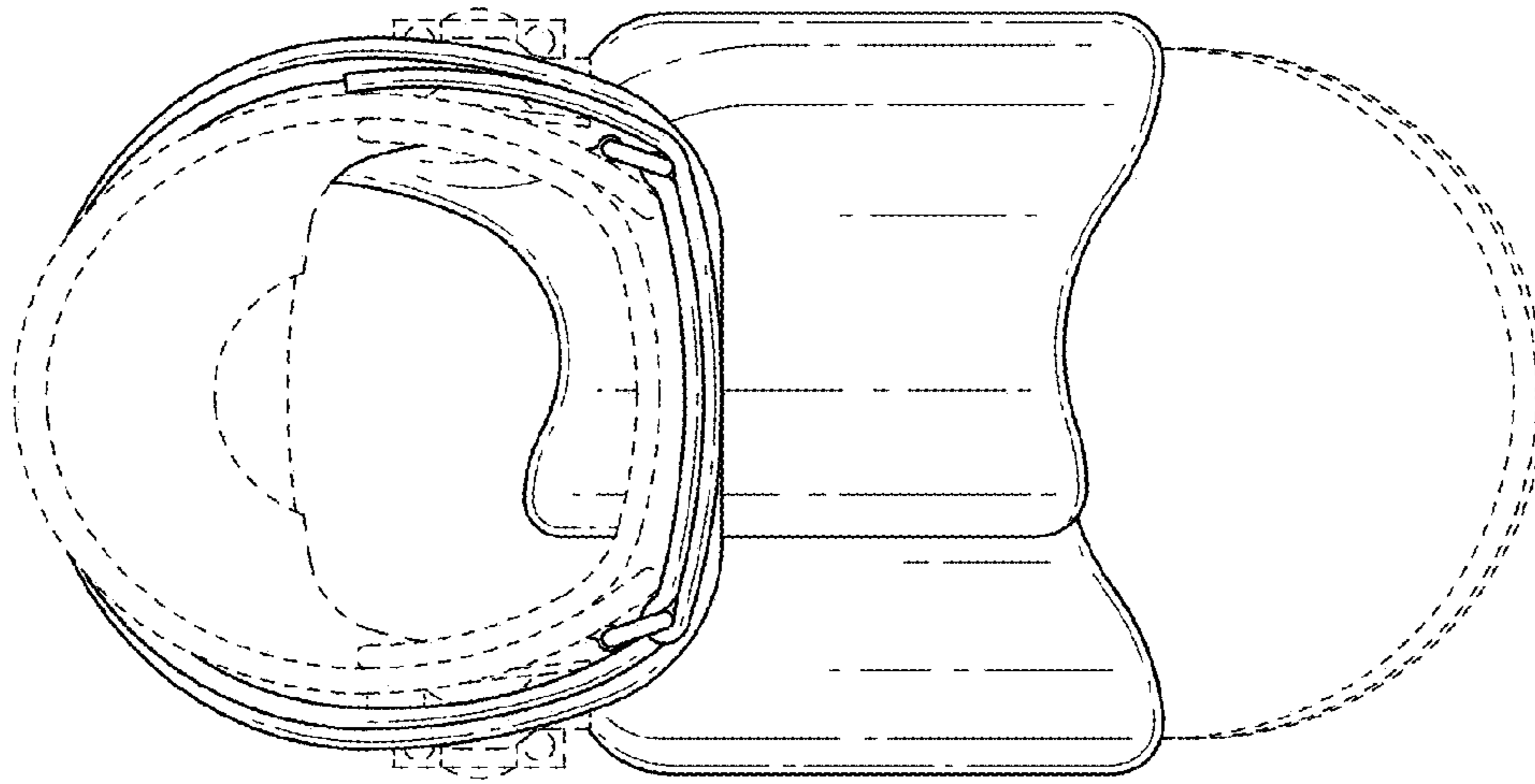


FIG. 7

