



US00D706939S

(12) **United States Design Patent**
Weaver, II et al.

(10) **Patent No.:** **US D706,939 S**
(45) **Date of Patent:** **** Jun. 10, 2014**

(54) **ORTHOPEdic PRESSURE DEVICE**

(75) Inventors: **Edward L. Weaver, II**, Milford, OH (US); **Dominic J. Julian**, Loveland, OH (US); **John R. Elrod**, Cincinnati, OH (US); **Jeremy J. Jacobs**, Elsmere, KY (US); **Michael J. Nickel**, Golden, CO (US); **Sean T. Cavanagh**, Golden, CO (US)

(73) Assignee: **3M Innovative Properties Company**, St. Paul, MN (US)

(**) Term: **14 Years**

(21) Appl. No.: **29/424,971**

(22) Filed: **Jun. 18, 2012**

(51) **LOC (10) Cl.** **24-01**

(52) **U.S. Cl.**
USPC **D24/190**

(58) **Field of Classification Search**
USPC D24/188-190; D29/113, 121.1; 602/8, 602/13, 20-23, 26, 60-64; 2/16, 22, 24, 2/161.2, 162; 128/96.1, DIG. 20
See application file for complete search history.

(56) **References Cited**

U.S. PATENT DOCUMENTS

| | | | | | |
|-----------|-----|---------|-----------------|-------|---------|
| 2,966,905 | A * | 1/1961 | Kamenshine | | 601/34 |
| 4,048,991 | A * | 9/1977 | Marx | | 602/64 |
| 4,243,028 | A * | 1/1981 | Puyana | | 602/62 |
| 4,370,978 | A | 2/1983 | Palumbo | | |
| 4,466,428 | A * | 8/1984 | McCoy | | 602/26 |
| 4,628,918 | A * | 12/1986 | Johnson, Jr. | | 602/13 |
| 4,777,946 | A * | 10/1988 | Watanabe et al. | | 602/62 |
| D307,054 | S * | 4/1990 | Johnson, Jr. | | D24/190 |
| 5,165,402 | A * | 11/1992 | McCoy | | 607/108 |
| 5,865,782 | A | 2/1999 | Fareed | | |
| 5,971,947 | A * | 10/1999 | McNally et al. | | 602/62 |
| 6,080,124 | A | 6/2000 | Falk | | |
| D455,213 | S * | 4/2002 | Weaver et al. | | D24/190 |

| | | | | | |
|--------------|------|---------|-----------------|-------|---------|
| D462,772 | S * | 9/2002 | Lamping et al. | | D24/190 |
| 6,485,448 | B2 | 11/2002 | Lamping | | |
| 6,641,549 | B2 | 11/2003 | Darcey | | |
| 6,755,800 | B2 | 6/2004 | Weaver, II | | |
| D500,137 | S * | 12/2004 | Hely | | D24/190 |
| D516,218 | S * | 2/2006 | Larocca | | D24/190 |
| D519,637 | S * | 4/2006 | Nordt et al. | | D24/190 |
| D521,644 | S * | 5/2006 | Nordt et al. | | D24/190 |
| D548,350 | S * | 8/2007 | Jordan et al. | | D24/190 |
| D556,330 | S * | 11/2007 | Auerbach et al. | | D24/190 |
| D617,464 | S * | 6/2010 | Weaver et al. | | D24/190 |
| D629,115 | S * | 12/2010 | Robertson | | D24/190 |
| 2007/0169378 | A1 | 7/2007 | Sodeberg | | |
| 2008/0066272 | A1 | 3/2008 | Hammerslag | | |
| 2012/0253252 | A1 * | 10/2012 | Weaver, II | | 602/20 |

FOREIGN PATENT DOCUMENTS

| | | |
|----|----------------|---------|
| JP | 2002-291956 | 10/2002 |
| WO | WO 2012-003396 | 1/2012 |

* cited by examiner

Primary Examiner — Susan E Krakower

(74) *Attorney, Agent, or Firm* — Irina Hass

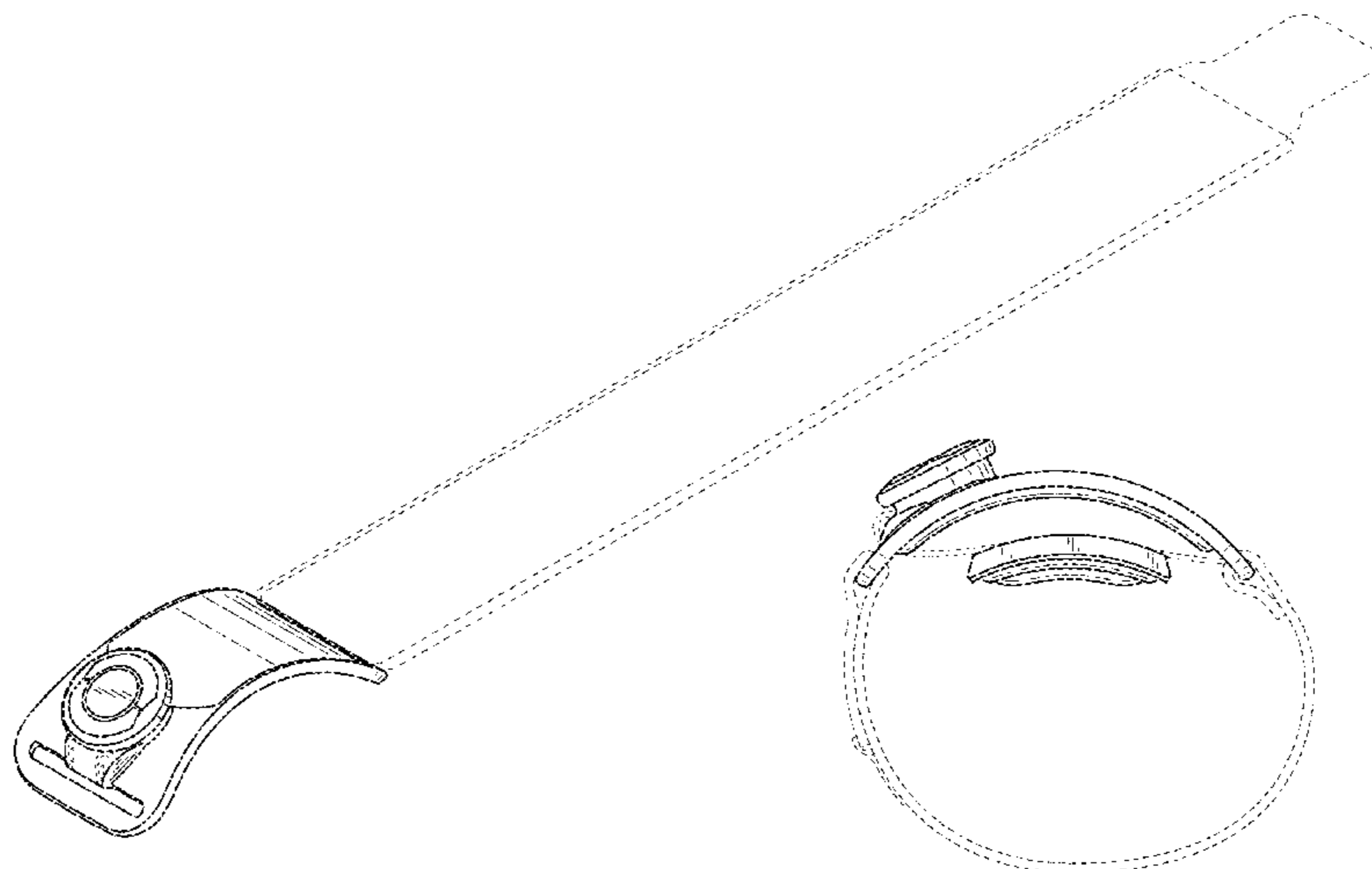
(57) **CLAIM**

The ornamental design for an orthopedic pressure device, as shown and described.

DESCRIPTION

FIG. 1 is a perspective view of an orthopedic pressure device showing the new design;
FIG. 2 is a side view thereof, the opposing side being a mirror image thereof;
FIG. 3 is a top view thereof;
FIG. 4 is a bottom view thereof;
FIG. 5 is a front view thereof;
FIG. 6 is a rear view thereof; and,
FIG. 7 is a side view thereof, shown in a closed configuration. The broken lines illustrate portions of the orthopedic pressure device and form no part of the claimed design.

1 Claim, 2 Drawing Sheets



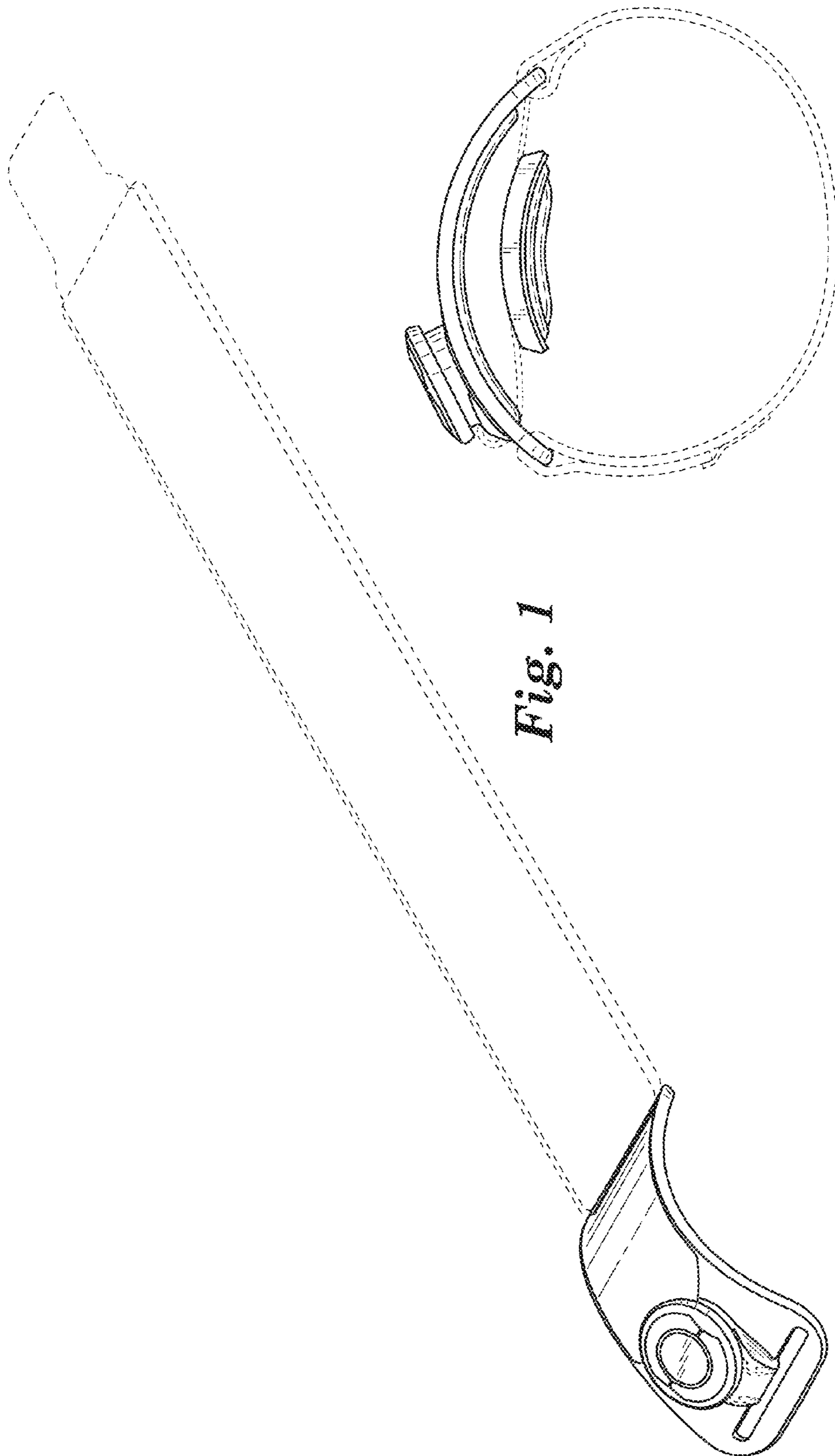


Fig. 1

Fig. 7

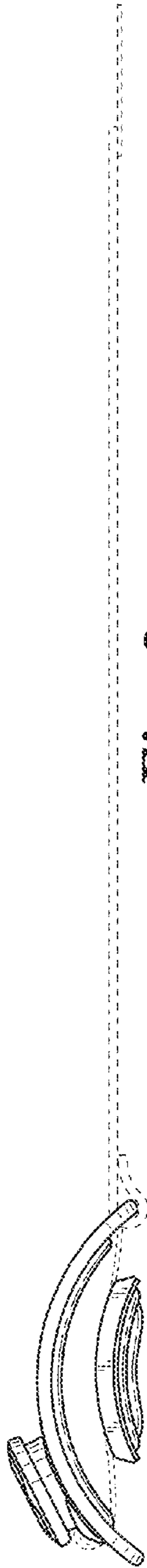


Fig. 2

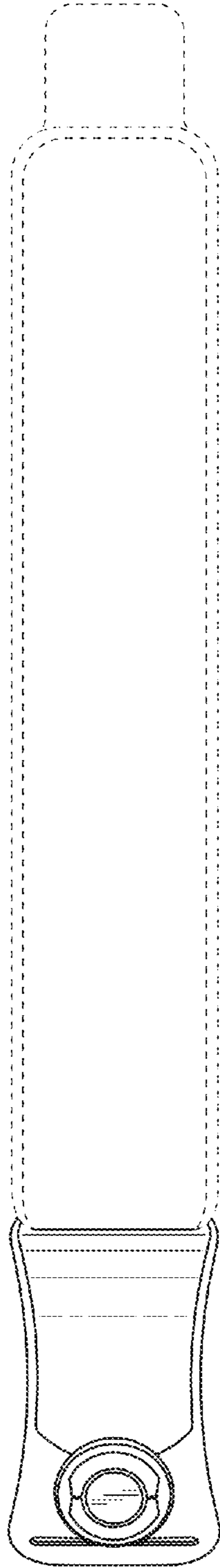


Fig. 3



Fig. 4

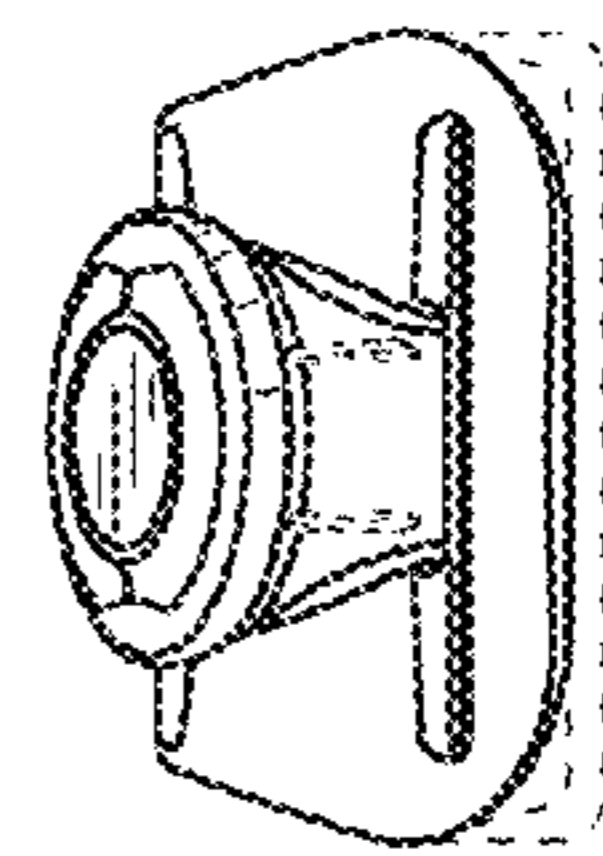


Fig. 5

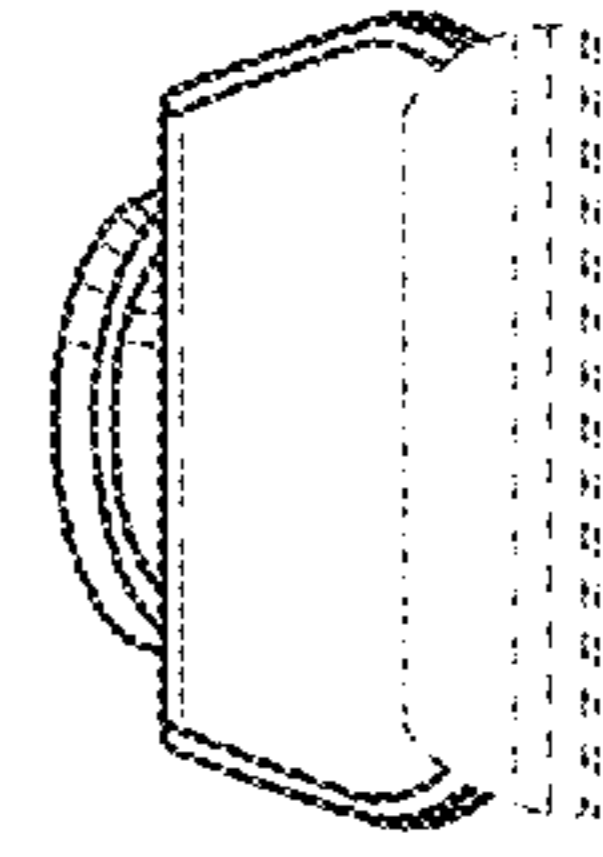


Fig. 6