



US00D706938S

(12) **United States Design Patent**
Weaver, II et al.

(10) **Patent No.:** **US D706,938 S**

(45) **Date of Patent:** **** Jun. 10, 2014**

(54) **ORTHOPEdic PRESSURE DEVICE**

(75) Inventors: **Edward L. Weaver, II**, Milford, OH (US); **Dominic J. Julian**, Loveland, OH (US); **John R. Elrod**, Cincinnati, OH (US); **Jeremy J. Jacobs**, Elsmere, KY (US); **Michael J. Nickel**, Golden, CO (US); **Sean T. Cavanagh**, Golden, CO (US)

(73) Assignee: **3M Innovative Properties Company**, St. Paul, MN (US)

(**) Term: **14 Years**

(21) Appl. No.: **29/424,969**

(22) Filed: **Jun. 18, 2012**

(51) **LOC (10) Cl.** **24-01**

(52) **U.S. Cl.**
USPC **D24/190**

(58) **Field of Classification Search**
USPC D24/188-190; D29/113, 121.1; 602/8, 602/13, 20-23, 26, 60-64; 2/16, 22, 24, 2/161.2, 162; 128/96.1, DIG. 20
See application file for complete search history.

(56) **References Cited**

U.S. PATENT DOCUMENTS

2,966,905	A *	1/1961	Kamenshine	601/34
4,048,991	A *	9/1977	Marx	602/64
4,243,028	A *	1/1981	Puyana	602/62
4,370,978	A	2/1983	Palumbo		
4,466,428	A *	8/1984	McCoy	602/26
4,628,918	A *	12/1986	Johnson, Jr.	602/13
4,777,946	A *	10/1988	Watanabe et al.	602/62
D307,054	S *	4/1990	Johnson, Jr.	D24/190
5,165,402	A *	11/1992	McCoy	607/108
5,865,782	A	2/1999	Fareed		
5,971,947	A *	10/1999	McNally et al.	602/62
6,080,124	A	6/2000	Falk		
D455,213	S *	4/2002	Weaver et al.	D24/190

D462,772	S *	9/2002	Lamping et al.	D24/190
6,485,448	B2	11/2002	Lamping		
6,641,549	B2	11/2003	Darcey		
6,755,800	B2	6/2004	Weaver, II		
D500,137	S *	12/2004	Hely	D24/190
D516,218	S *	2/2006	Larocca	D24/190
D519,637	S *	4/2006	Nordt et al.	D24/190
D521,644	S *	5/2006	Nordt et al.	D24/190
D548,350	S *	8/2007	Jordan et al.	D24/190
D556,330	S *	11/2007	Auerbach et al.	D24/190
D617,464	S *	6/2010	Weaver et al.	D24/190
D629,115	S *	12/2010	Robertson	D24/190
2007/0169378	A1	7/2007	Sodeberg		
2008/0066272	A1	3/2008	Hammerslag		
2012/0253252	A1 *	10/2012	Weaver, II	602/20

FOREIGN PATENT DOCUMENTS

JP	2002-291956	10/2002
WO	WO 2012-003396	1/2012

* cited by examiner

Primary Examiner — Susan E Krakower

(74) *Attorney, Agent, or Firm* — Irina Hass

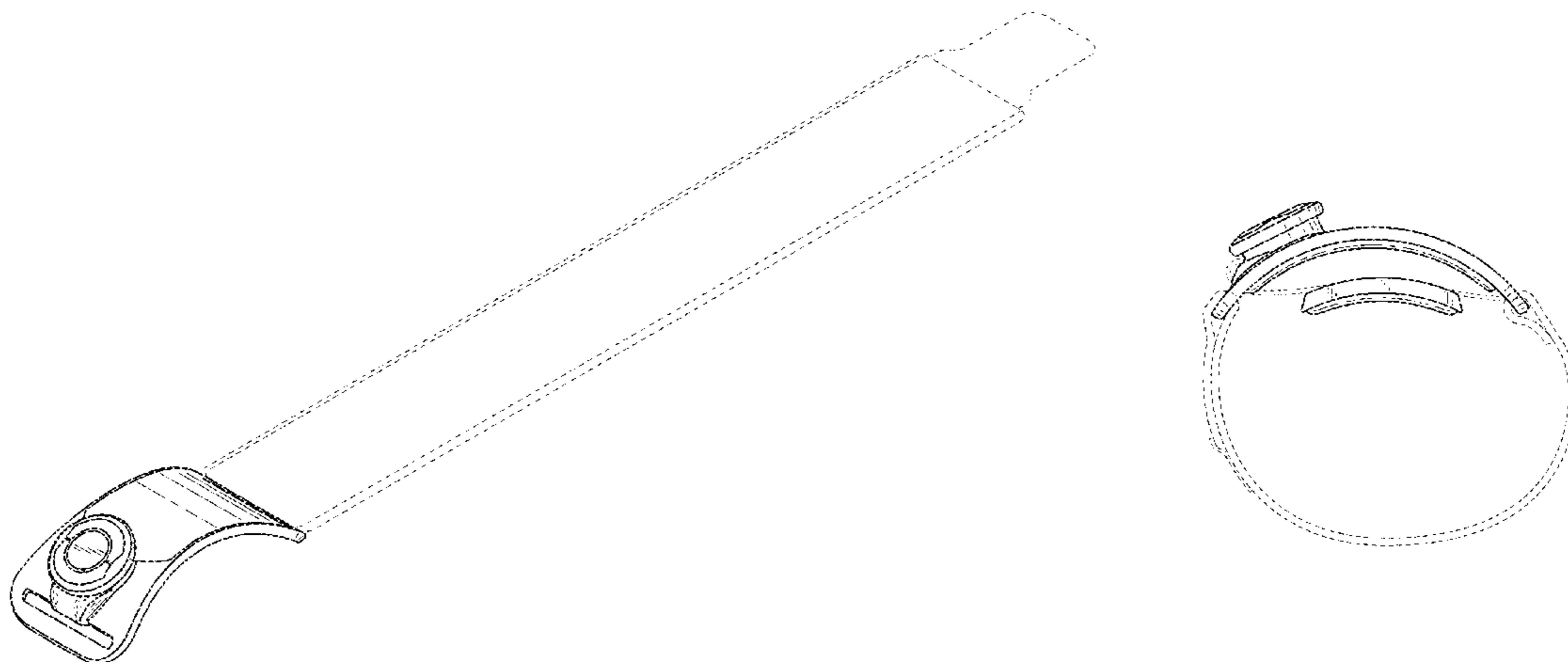
(57) **CLAIM**

The ornamental design for an orthopedic pressure device, as shown and described.

DESCRIPTION

FIG. 1 is a top perspective view of an orthopedic pressure device showing the new design;
FIG. 2 is a side view thereof, the opposing side being a mirror image thereof
FIG. 3 is a top view thereof;
FIG. 4 is a bottom view thereof;
FIG. 5 is a front view thereof;
FIG. 6 is rear view thereof; and,
FIG. 7 is a side view thereof, shown in a closed configuration.
The broken lines illustrate portions of the orthopedic pressure device and form no part of the claimed design.

1 Claim, 2 Drawing Sheets



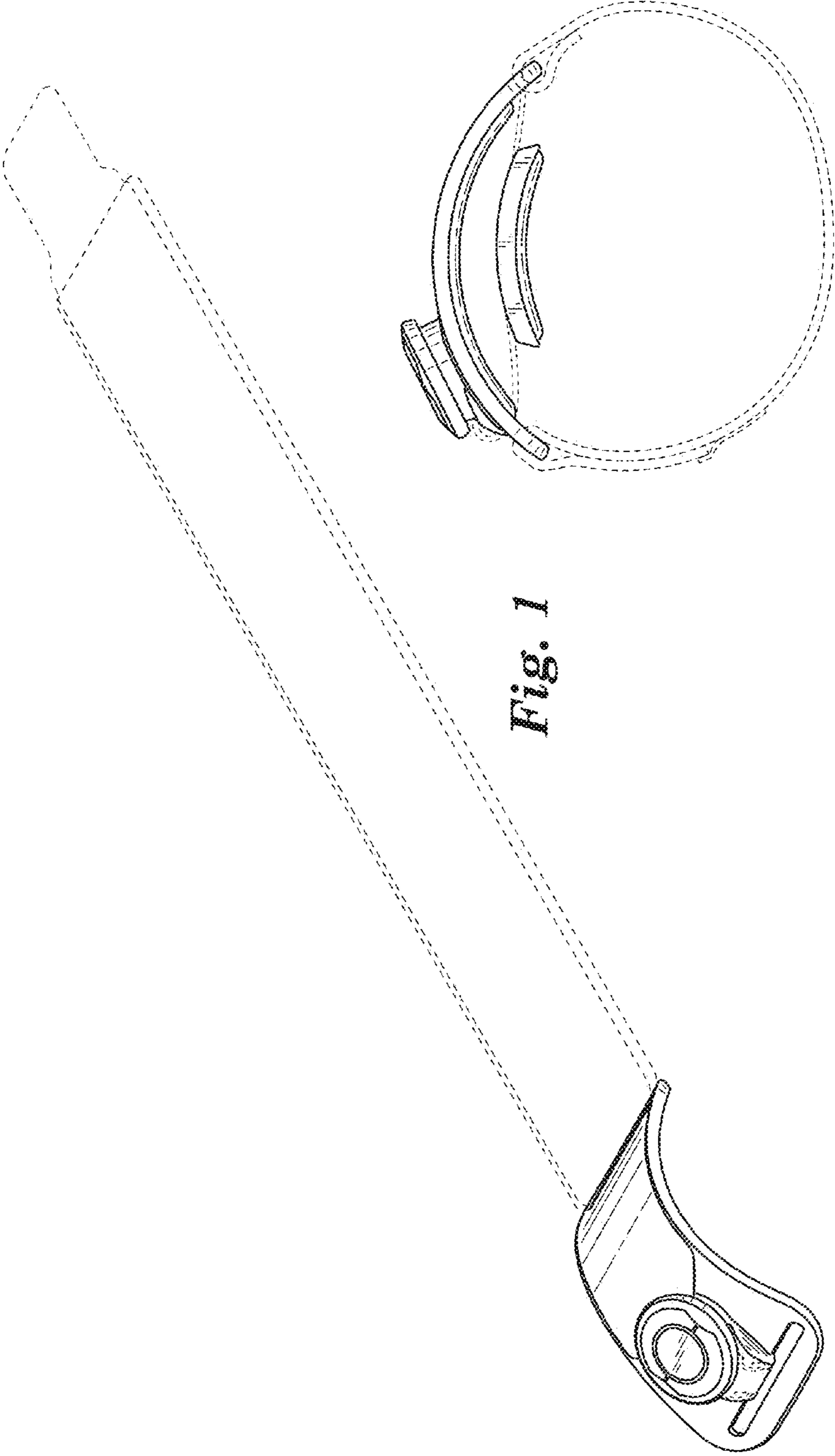


Fig. 1

Fig. 7

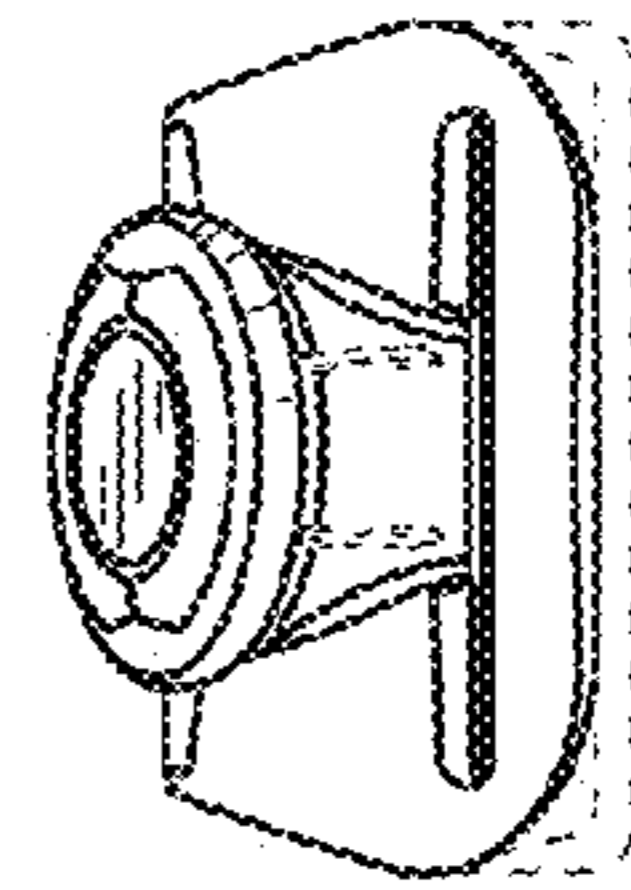
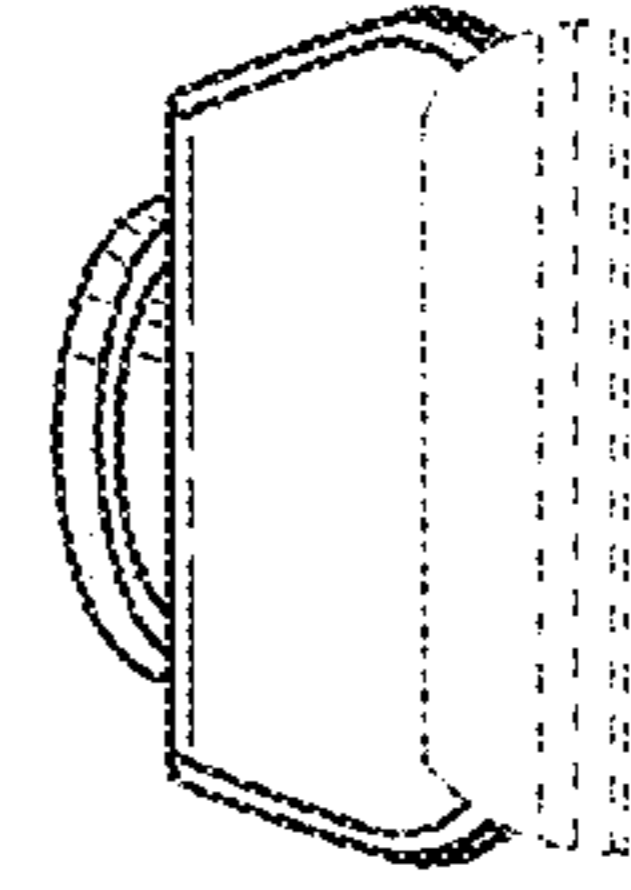
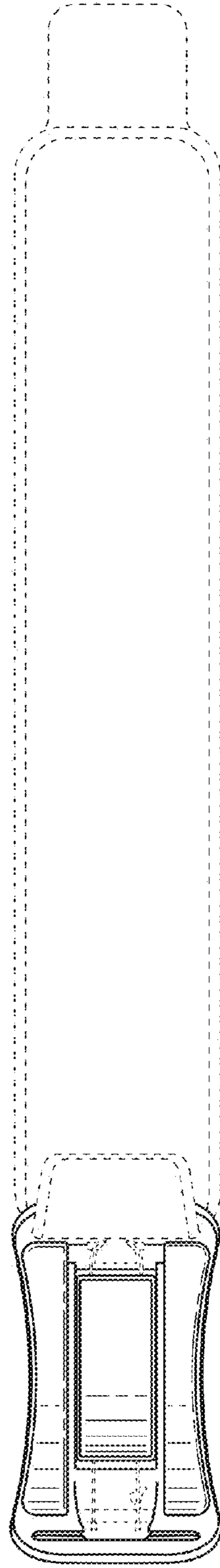
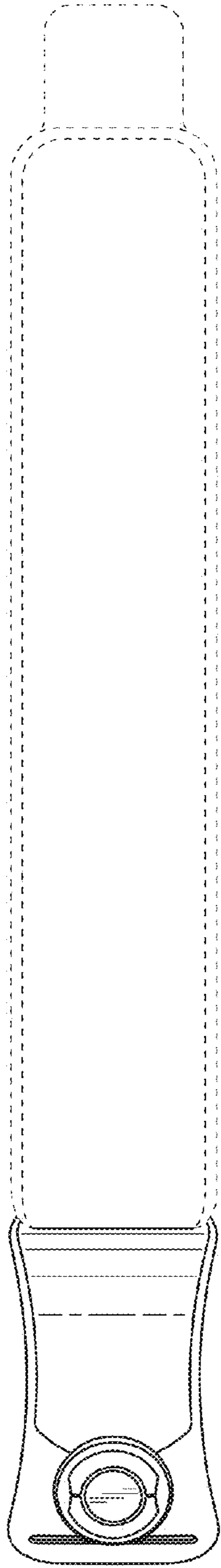


Fig. 4

Fig. 6

Fig. 5