



US00D706936S

(12) **United States Design Patent**
Yoshida et al.

(10) **Patent No.:** **US D706,936 S**
(45) **Date of Patent:** **** Jun. 10, 2014**

(54) **GAS FEEDER FOR ENDOSCOPE**

(56) **References Cited**

- (71) Applicant: **FUJIFILM Corporation**, Tokyo (JP)
- (72) Inventors: **Koji Yoshida**, Ashigarakami-gun (JP);
Kunihiko Tanaka, Ashigarakami-gun (JP)
- (73) Assignee: **FUJIFILM Corporation**, Tokyo (JP)
- (**) Term: **14 Years**
- (21) Appl. No.: **29/457,994**
- (22) Filed: **Jun. 14, 2013**

U.S. PATENT DOCUMENTS

D489,323	S	*	5/2004	Yoshida	D13/108
D563,908	S	*	3/2008	Kohler et al.	D13/171
7,492,611	B2	*	2/2009	Kao	363/15
D605,625	S	*	12/2009	Skurdal	D14/171
D621,515	S	*	8/2010	Chua et al.	D24/186
D628,979	S	*	12/2010	Yagi	D14/214
D659,671	S	*	5/2012	Andre et al.	D14/203.7
D671,930	S	*	12/2012	Akana et al.	D14/250
D681,617	S	*	5/2013	Weller et al.	D14/250
D683,339	S	*	5/2013	Weller et al.	D14/250
2008/0150367	A1	*	6/2008	Oh et al.	307/80
2012/0113572	A1	*	5/2012	Gaddis et al.	361/679.01

* cited by examiner

Related U.S. Application Data

- (62) Division of application No. 29/440,007, filed on Dec. 18, 2012.

Primary Examiner — Robert M Spear

Assistant Examiner — Rhea Shields

(74) *Attorney, Agent, or Firm* — Sughrue Mion, PLLC

(30) **Foreign Application Priority Data**

Jun. 20, 2012 (JP) 2012-014671
 Jun. 20, 2012 (JP) 2012-014672

(57) **CLAIM**

The ornamental design for a gas feeder for endoscope, as shown and described.

(51) **LOC (10) Cl.** **24-00**

(52) **U.S. Cl.**
USPC **D24/170**

(58) **Field of Classification Search**
 USPC D24/107, 170, 187, 142, 164, 110.5,
 D24/186, 110, 232, 169, 168, 163, 165, 216,
 D24/231; 600/538, 529, 532; 128/204.18,
 128/205.24; 73/23.3, 861.52; 422/84;
 D10/78, 96; D14/218, 37, 214, 238.1;
 D8/315

See application file for complete search history.

DESCRIPTION

FIG. 1 is a top, front and side perspective view of a gas feeder for endoscope showing my new design;
 FIG. 2 is a front elevational view thereof;
 FIG. 3 is a rear elevational view thereof;
 FIG. 4 is a top plan view thereof;
 FIG. 5 is a bottom plan view thereof;
 FIG. 6 is a right elevational view thereof; and,
 FIG. 7 is a left side elevational view thereof.
 The broken lines in the figures illustrate unclaimed environment only and form no part of the claimed design.

1 Claim, 7 Drawing Sheets

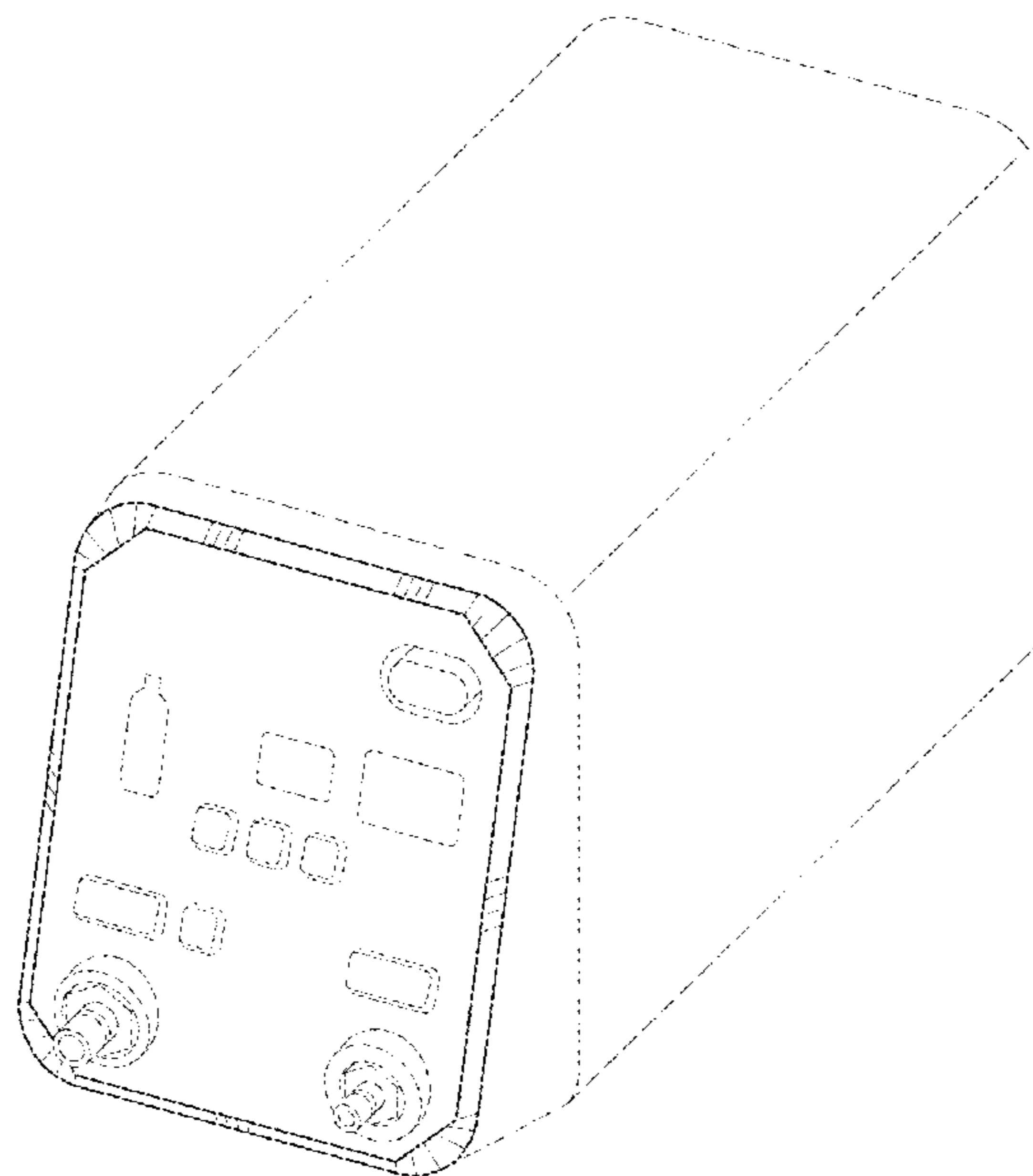


FIG. 1

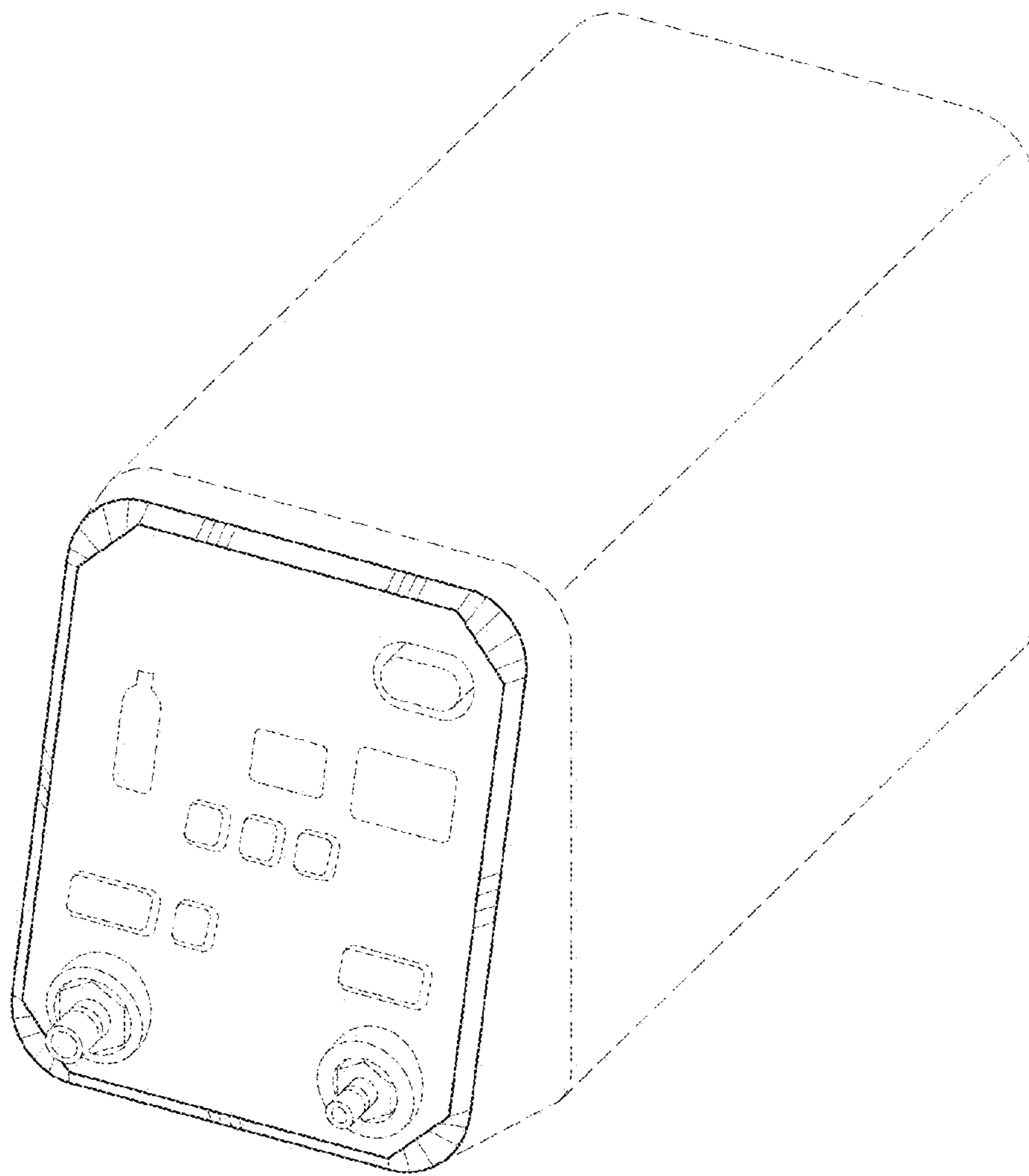


FIG. 2

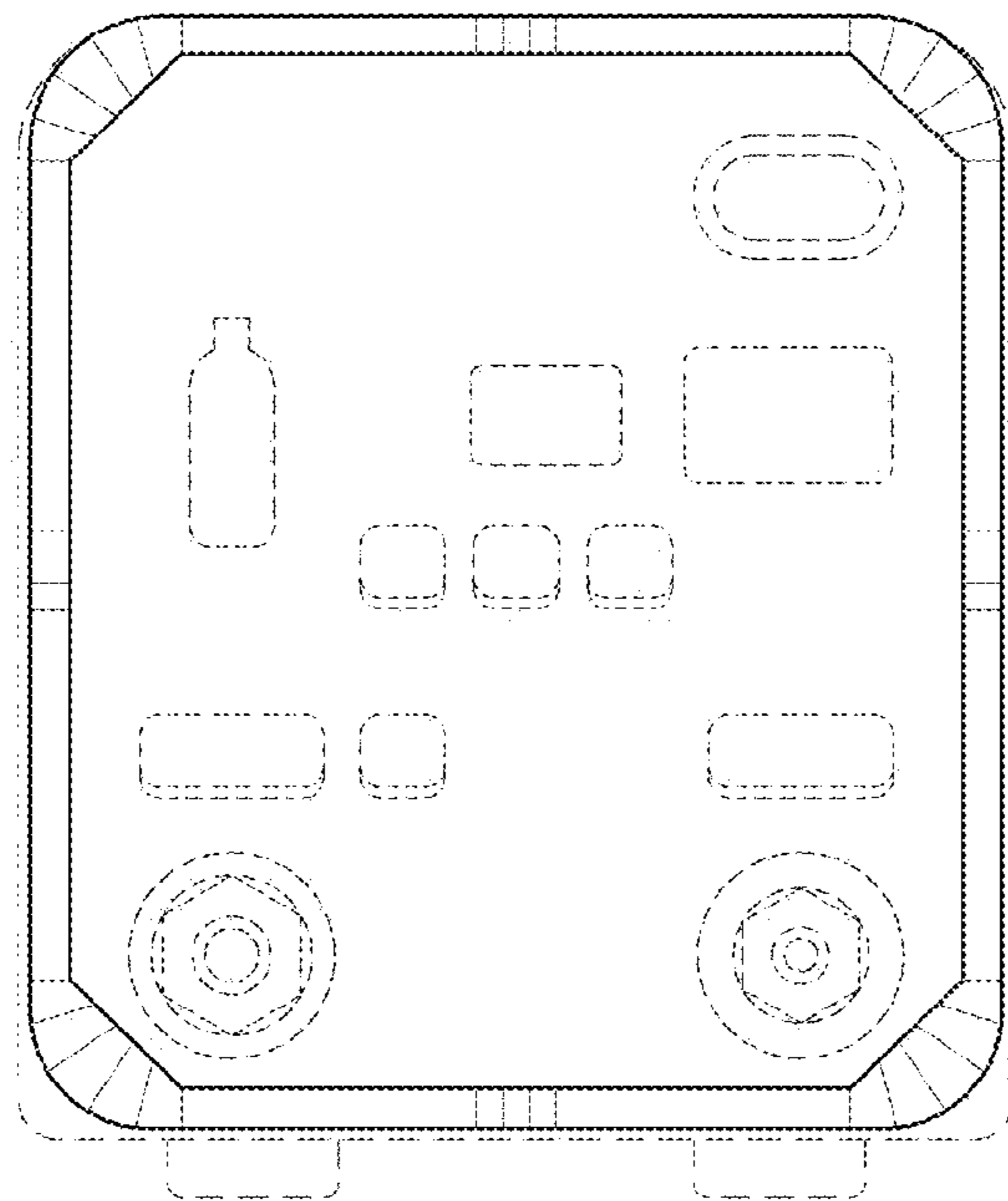


FIG. 3

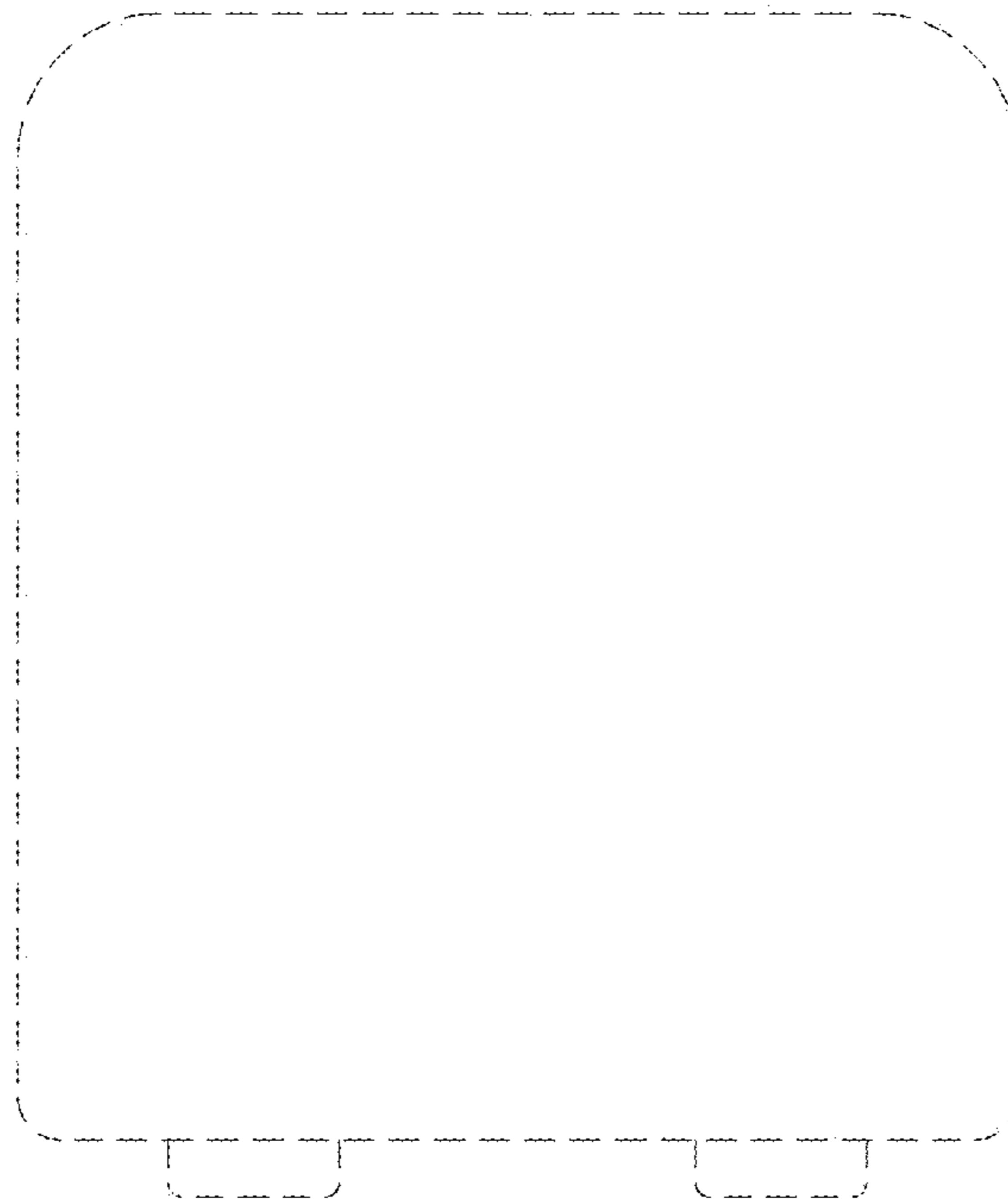


FIG. 4



FIG. 5

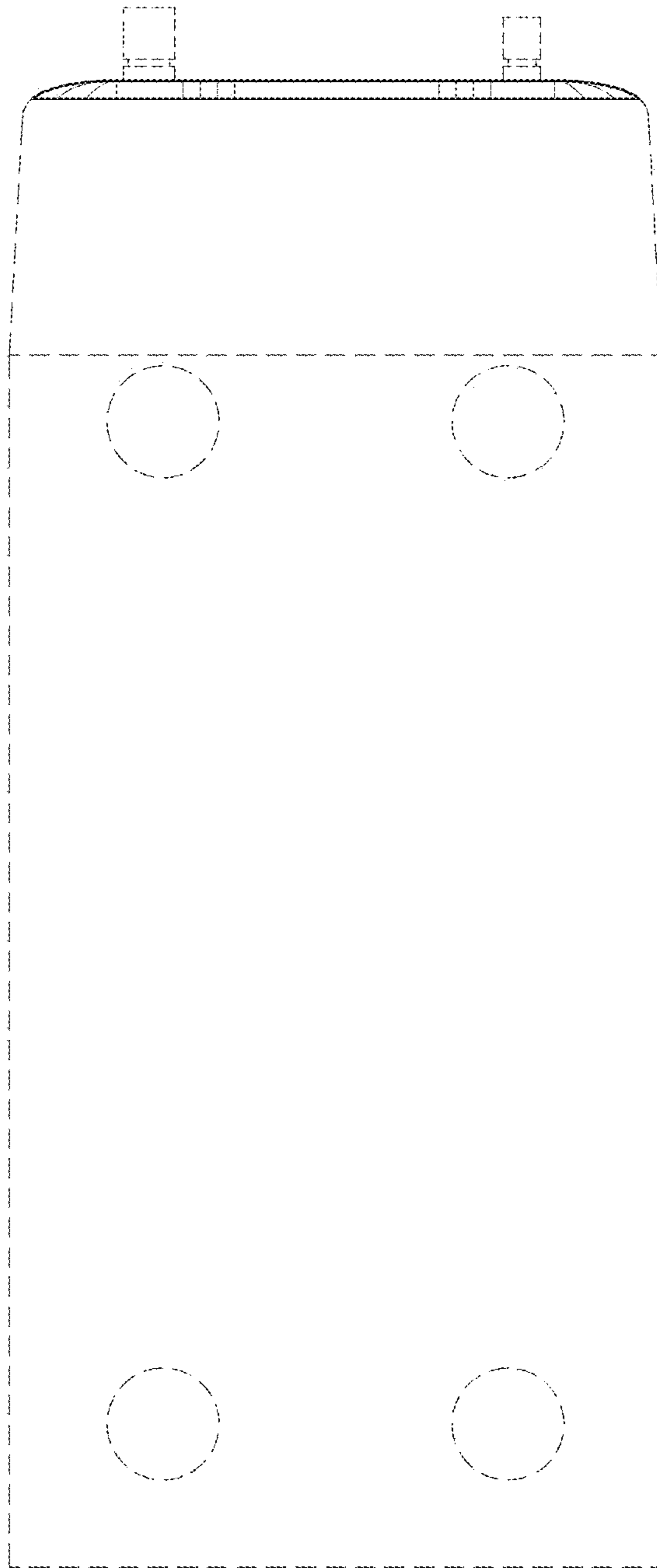


FIG. 6

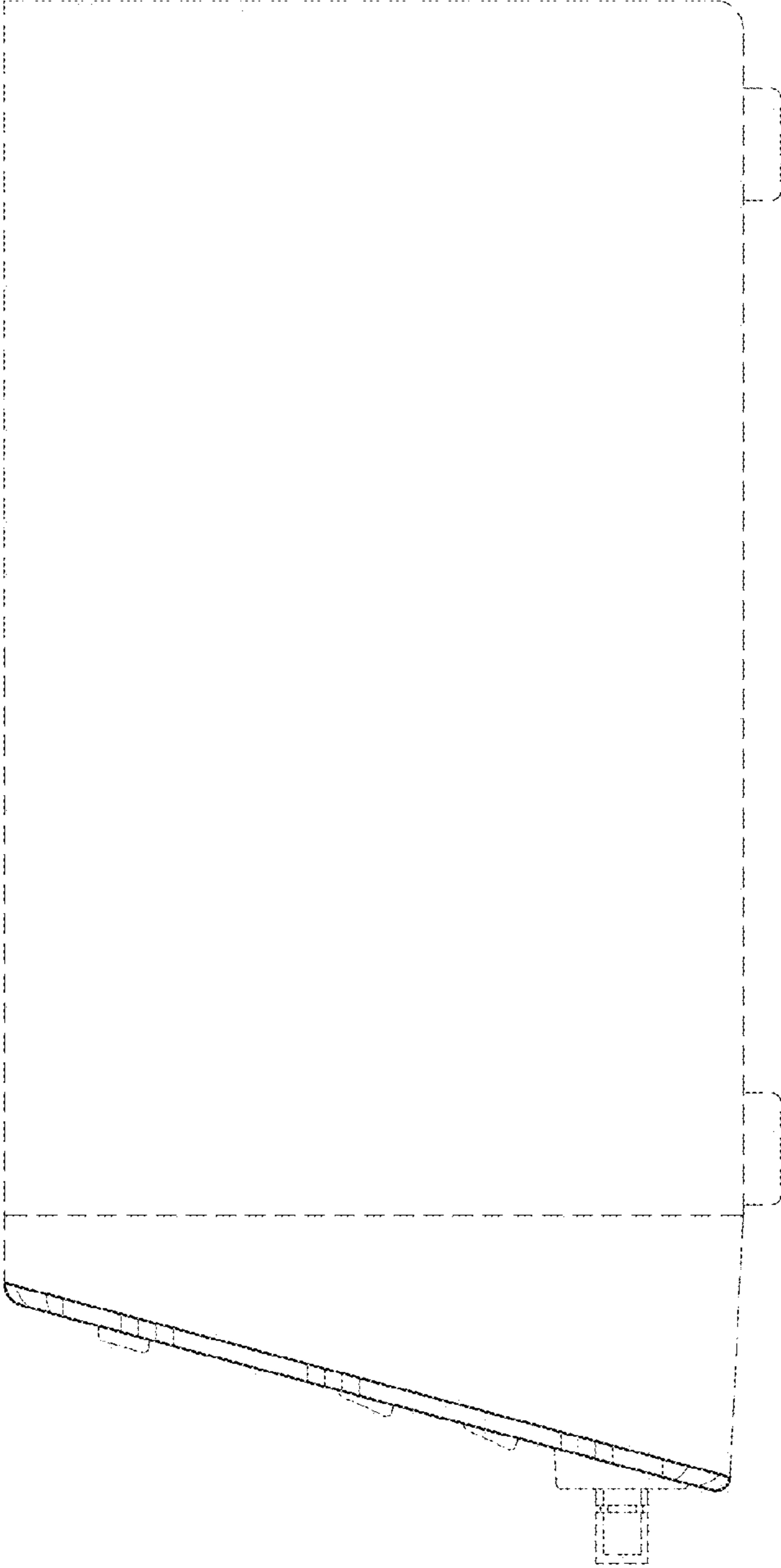


FIG. 7

