

US00D706935S

(12) **United States Design Patent**
Feurst et al.

(10) **Patent No.:** **US D706,935 S**
(45) **Date of Patent:** **** Jun. 10, 2014**

(54) **GLUCOSE METER**

(56) **References Cited**

(71) Applicants: **Oren Feurst**, Ramat-Hasharon (IL);
Shilo Ben-Zeev, Tel Aviv (IL); **Nir Lilach**, Kfar Yehoshua (IL); **Ram Grossfeld**, Haifa (IL); **Eliahu Eliachar**, Haifa (IL); **David Damshek**, Haifa (IL); **Frank Schenk**, Tel Aviv (IL); **Eran Zur**, Pardes Hana-Karkur (IL); **Yoav Tikochinsky**, Tel Aviv (IL)

U.S. PATENT DOCUMENTS

D412,990	S	*	8/1999	Woolston et al.	D24/223
6,241,689	B1	*	6/2001	Chard et al.	600/584
7,299,081	B2	*	11/2007	Mace et al.	600/345
8,357,107	B2	*	1/2013	Draudt et al.	600/584
2007/0233395	A1	*	10/2007	Neel et al.	600/583
2010/0241031	A1	*	9/2010	Lai	600/583
2013/0274581	A1	*	10/2013	Choi et al.	600/365

* cited by examiner

(72) Inventors: **Oren Feurst**, Ramat-Hasharon (IL);
Shilo Ben-Zeev, Tel Aviv (IL); **Nir Lilach**, Kfar Yehoshua (IL); **Ram Grossfeld**, Haifa (IL); **Eliahu Eliachar**, Haifa (IL); **David Damshek**, Haifa (IL); **Frank Schenk**, Tel Aviv (IL); **Eran Zur**, Pardes Hana-Karkur (IL); **Yoav Tikochinsky**, Tel Aviv (IL)

Primary Examiner — Anhdao Doan

(74) *Attorney, Agent, or Firm* — Greenberg Traurig, LLP

(73) Assignee: **Labstyle Innovation Ltd.**, Caesarea (IL)

(57) **CLAIM**

The ornamental design for a glucose meter, as shown and described.

(**) Term: **14 Years**

DESCRIPTION

(21) Appl. No.: **29/443,973**

FIG. 1 is a perspective view of a glucose meter showing our new design;
FIG. 2 is a top view thereof;
FIG. 3 is a front view thereof;
FIG. 4 is a right side view thereof, the left side view being a mirror image;
FIG. 5 is a rear view thereof; and,
FIG. 6 is a bottom view thereof.
The broken lines illustrate unclaimed portions of the glucose meter and form no part of the claimed design.

(22) Filed: **Jan. 24, 2013**

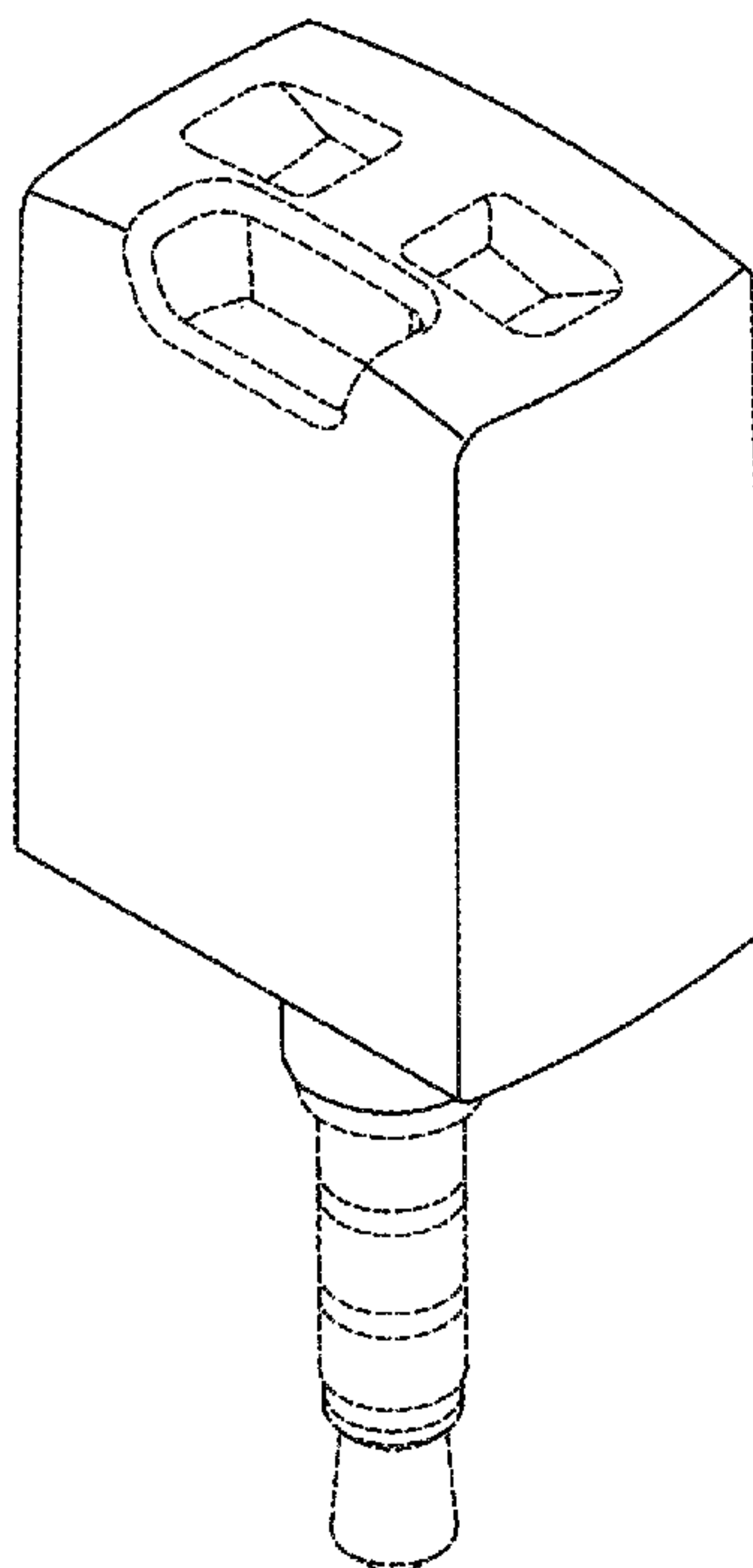
(51) **LOC (10) Cl.** **24-01**

(52) **U.S. Cl.**
USPC **D24/169**

(58) **Field of Classification Search**
USPC D24/216, 223, 231, 232, 107, 169, 186;
D10/81; 422/68.1, 420, 500;
435/287.1, 287.3; 436/43, 45, 47;
600/309, 365, 368, 583, 584

See application file for complete search history.

1 Claim, 3 Drawing Sheets



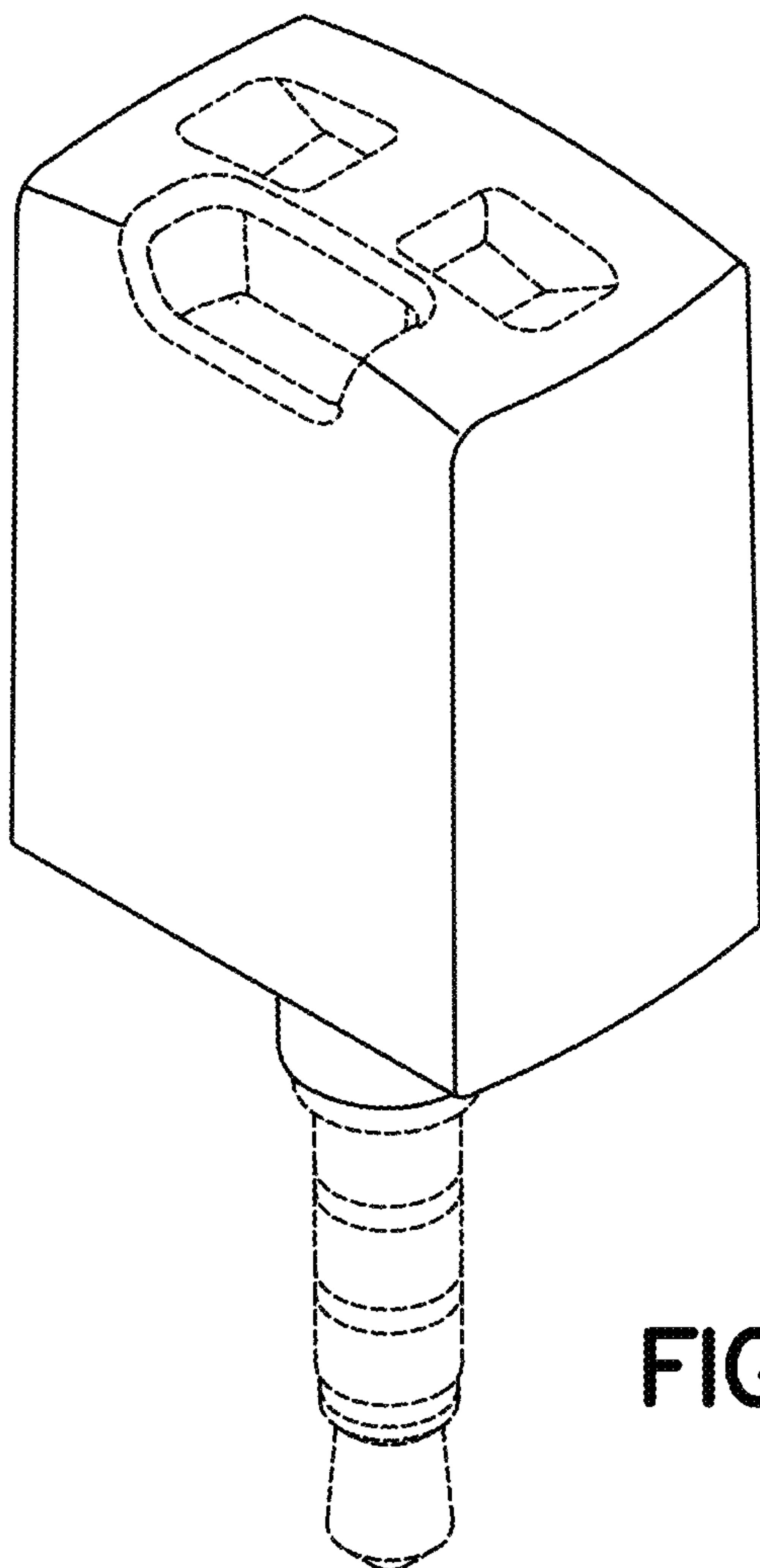


FIG. 1

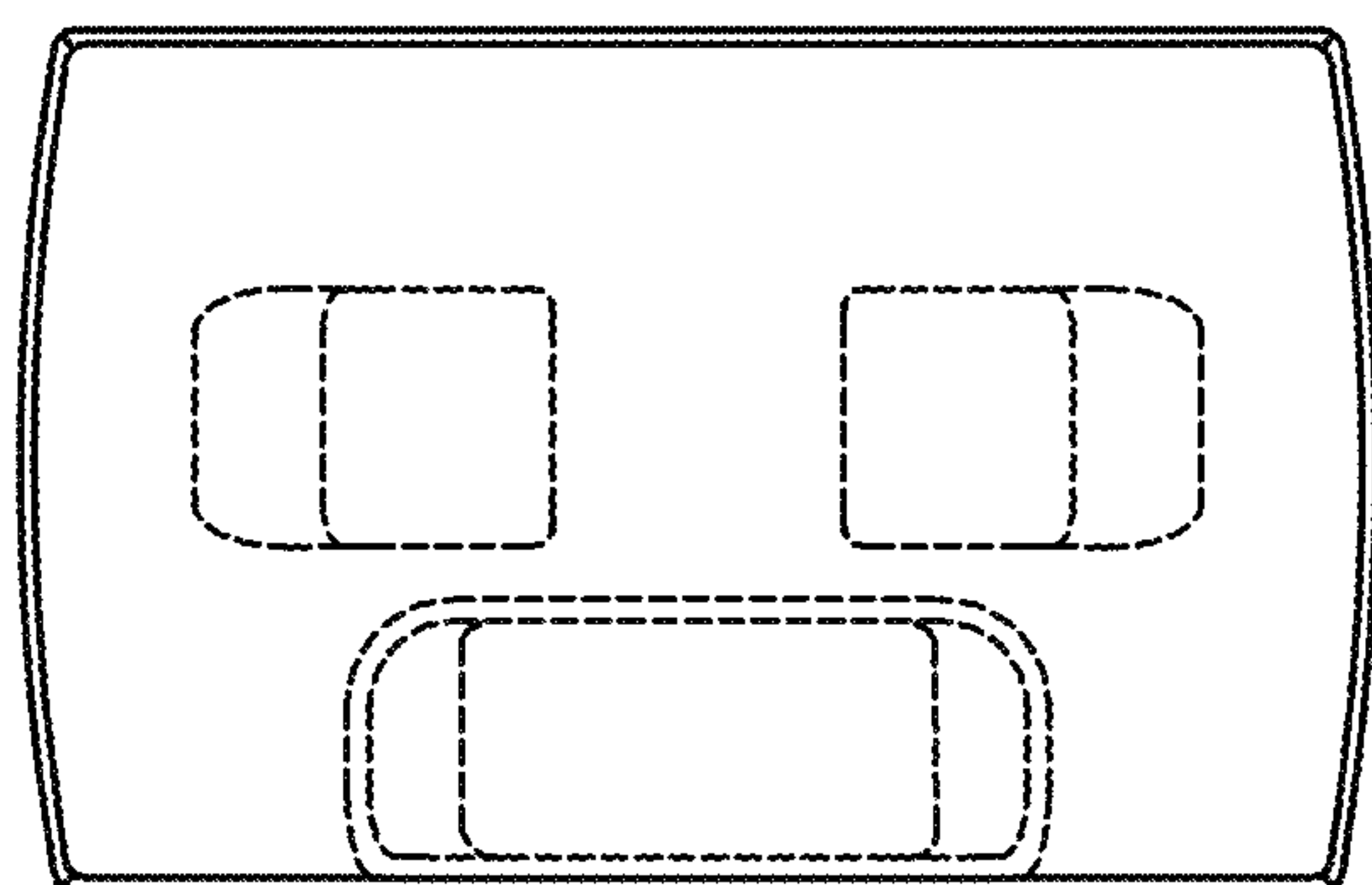


FIG. 2

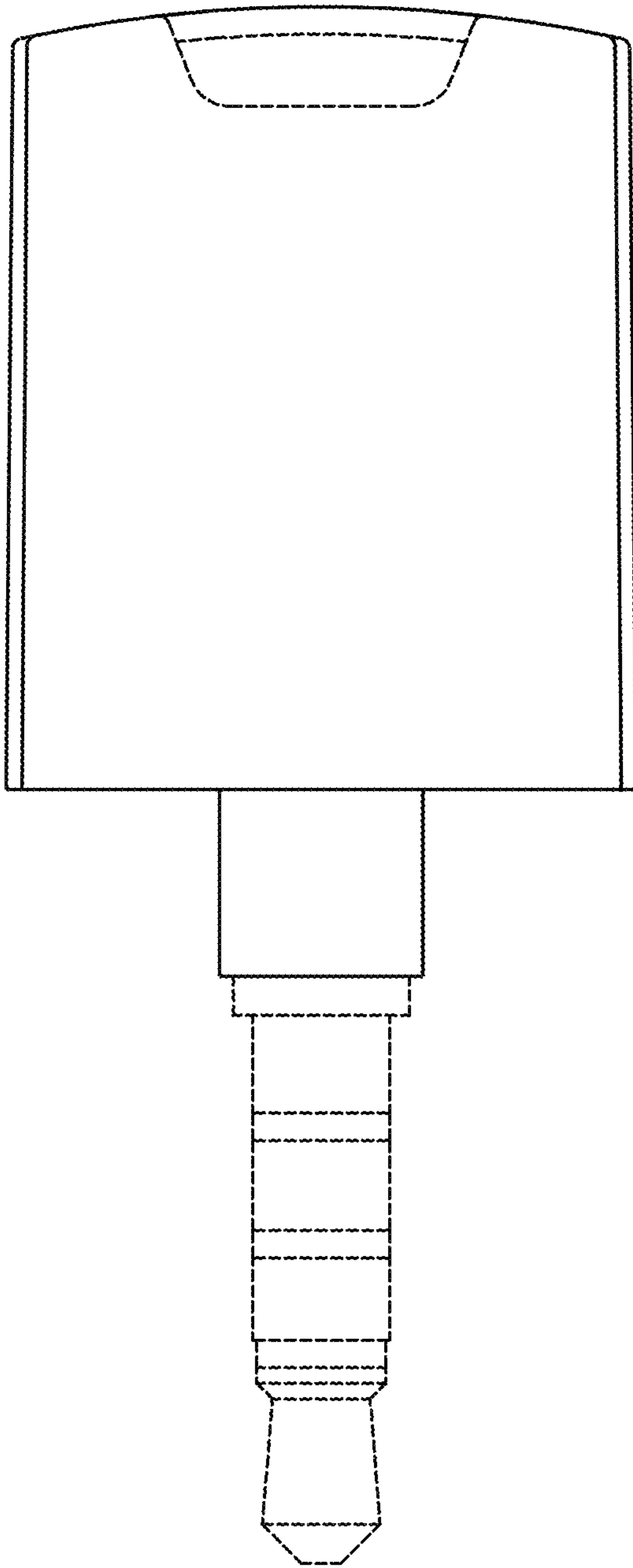


FIG. 3

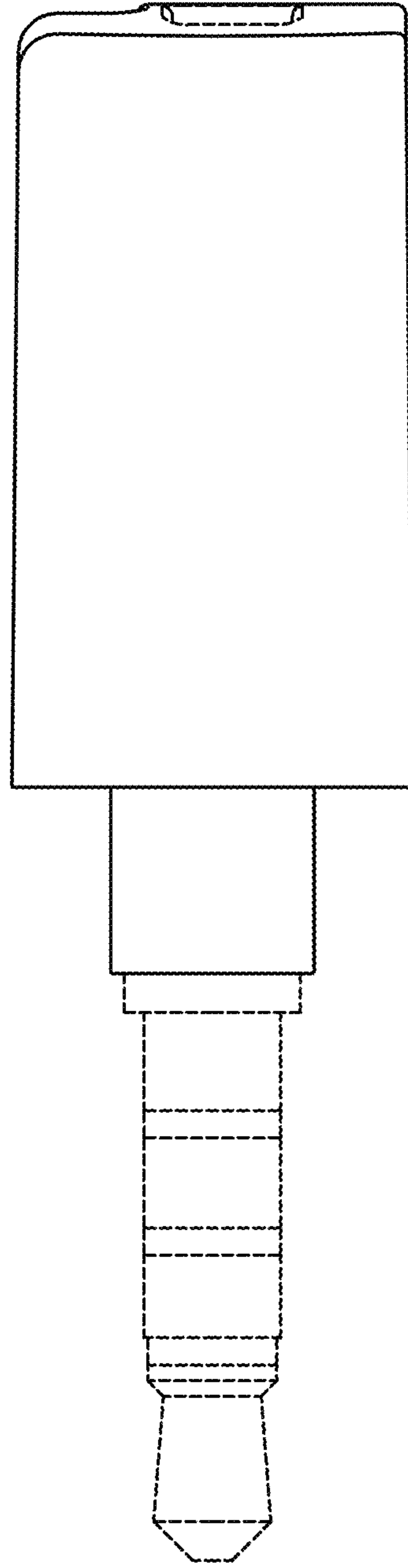


FIG. 4

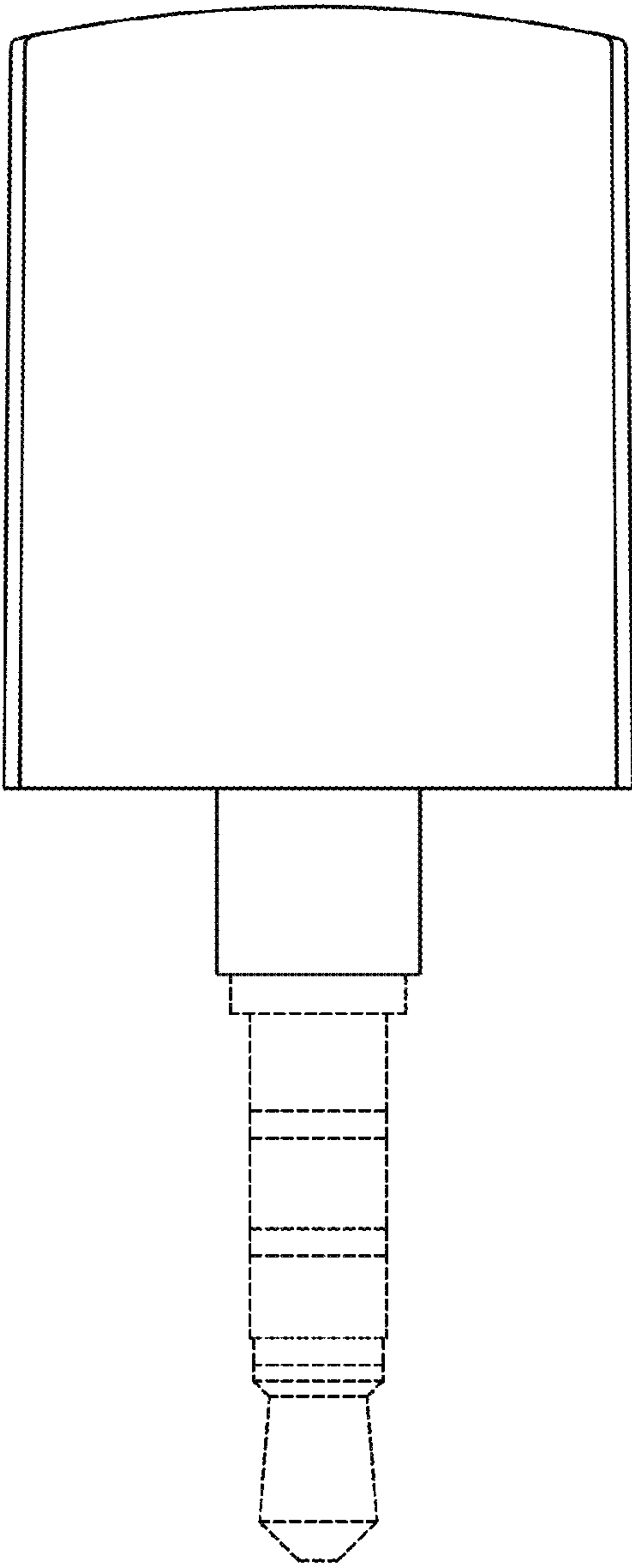


FIG. 5

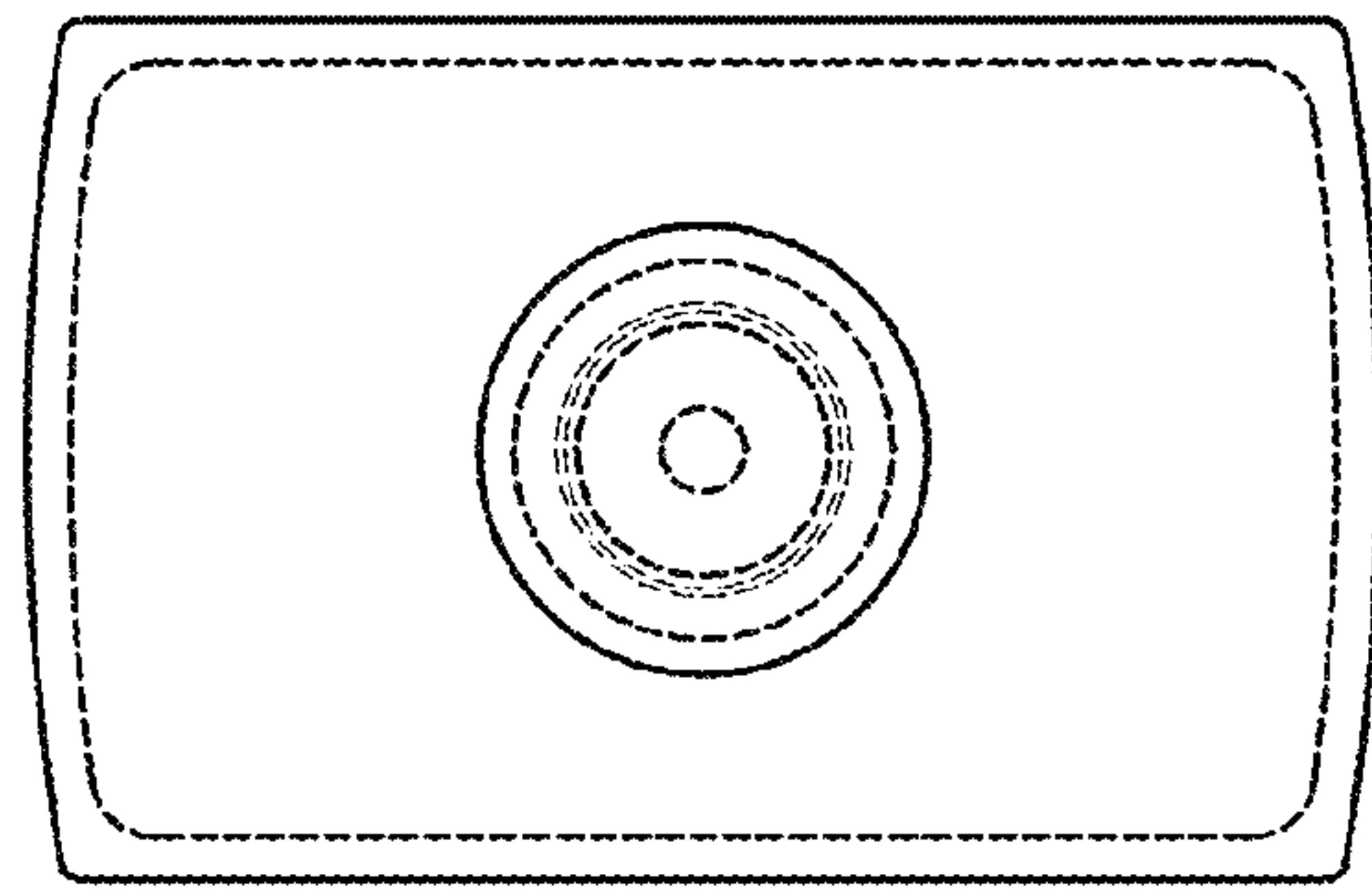


FIG. 6

UNITED STATES PATENT AND TRADEMARK OFFICE
CERTIFICATE OF CORRECTION

PATENT NO. : D706,935 S
APPLICATION NO. : 29/443973
DATED : June 10, 2014
INVENTOR(S) : Oren Fuerst et al.

Page 1 of 1

It is certified that error appears in the above-identified patent and that said Letters Patent is hereby corrected as shown below:

On the title page, Item 12, Delete the name "Feurst et al." and insert --Fuerst et al.--.

On the title page, Item 71, Applicants, Delete the applicant name "Oren Feurst" and insert --Oren Fuerst--.

On the title page, Item 72, Inventors, Delete the inventor name "Oren Feurst" and insert --Oren Fuerst--.

Signed and Sealed this
Second Day of September, 2014



Michelle K. Lee
Deputy Director of the United States Patent and Trademark Office