



US00D706933S

(12) **United States Design Patent**  
**Feurst et al.**

(10) **Patent No.:** **US D706,933 S**

(45) **Date of Patent:** **\*\* Jun. 10, 2014**

(54) **BLOOD GLUCOSE CARTRIDGE**

(56) **References Cited**

(71) Applicants: **Oren Feurst**, Ramat-Hasharon (IL);  
**Shilo Ben-Zeev**, Tel Aviv (IL); **Nir Lilach**, Kfar Yehoshua (IL); **Ram Grossfeld**, Haifa (IL); **Eliahu Eliachar**, Haifa (IL); **David Damshek**, Haifa (IL); **Frank Schenk**, Tel Aviv (IL); **Eran Zur**, Pardes Hana-Karkur (IL); **Yoav Tikochinsky**, Tel Aviv (IL)

U.S. PATENT DOCUMENTS

D337,164	S	*	7/1993	Lauks et al.	.....	D24/169
6,206,841	B1	*	3/2001	Cunningham et al.	.....	600/584
D444,235	S	*	6/2001	Roberts et al.	.....	D24/169
6,241,689	B1	*	6/2001	Chard et al.	.....	600/584
D530,424	S	*	10/2006	Manser et al.	.....	D24/169
D585,993	S	*	2/2009	Kousuge	.....	D24/186
D634,432	S	*	3/2011	Liedtke et al.	.....	D24/169
D663,845	S	*	7/2012	Delaey	.....	D24/169
8,333,717	B1	*	12/2012	Shaanan et al.	.....	600/584
8,357,107	B2	*	1/2013	Draudt et al.	.....	600/584
D686,311	S	*	7/2013	Mori	.....	D24/216
2012/0330189	A1	*	12/2012	Shaanan et al.	.....	600/583

(72) Inventors: **Oren Feurst**, Ramat-Hasharon (IL);  
**Shilo Ben-Zeev**, Tel Aviv (IL); **Nir Lilach**, Kfar Yehoshua (IL); **Ram Grossfeld**, Haifa (IL); **Eliahu Eliachar**, Haifa (IL); **David Damshek**, Haifa (IL); **Frank Schenk**, Tel Aviv (IL); **Eran Zur**, Pardes Hana-Karkur (IL); **Yoav Tikochinsky**, Tel Aviv (IL)

\* cited by examiner

*Primary Examiner* — Anhdao Doan

(74) *Attorney, Agent, or Firm* — Greenberg Traurig, LLP

(73) Assignee: **Labstyle Innovation Ltd.**, Caesarea (IL)

(57) **CLAIM**

The ornamental design for a blood glucose cartridge, as shown and described.

(\*\*) Term: **14 Years**

**DESCRIPTION**

(21) Appl. No.: **29/443,965**

FIG. 1 is a perspective view of a blood glucose cartridge showing our new design;  
FIG. 2 is a top view thereof;  
FIG. 3 is a front view thereof;  
FIG. 4 is a right side view thereof, the left side view being a mirror image; and,  
FIG. 5 is a bottom view thereof.

(22) Filed: **Jan. 24, 2013**

(51) **LOC (10) Cl.** ..... **24-01**

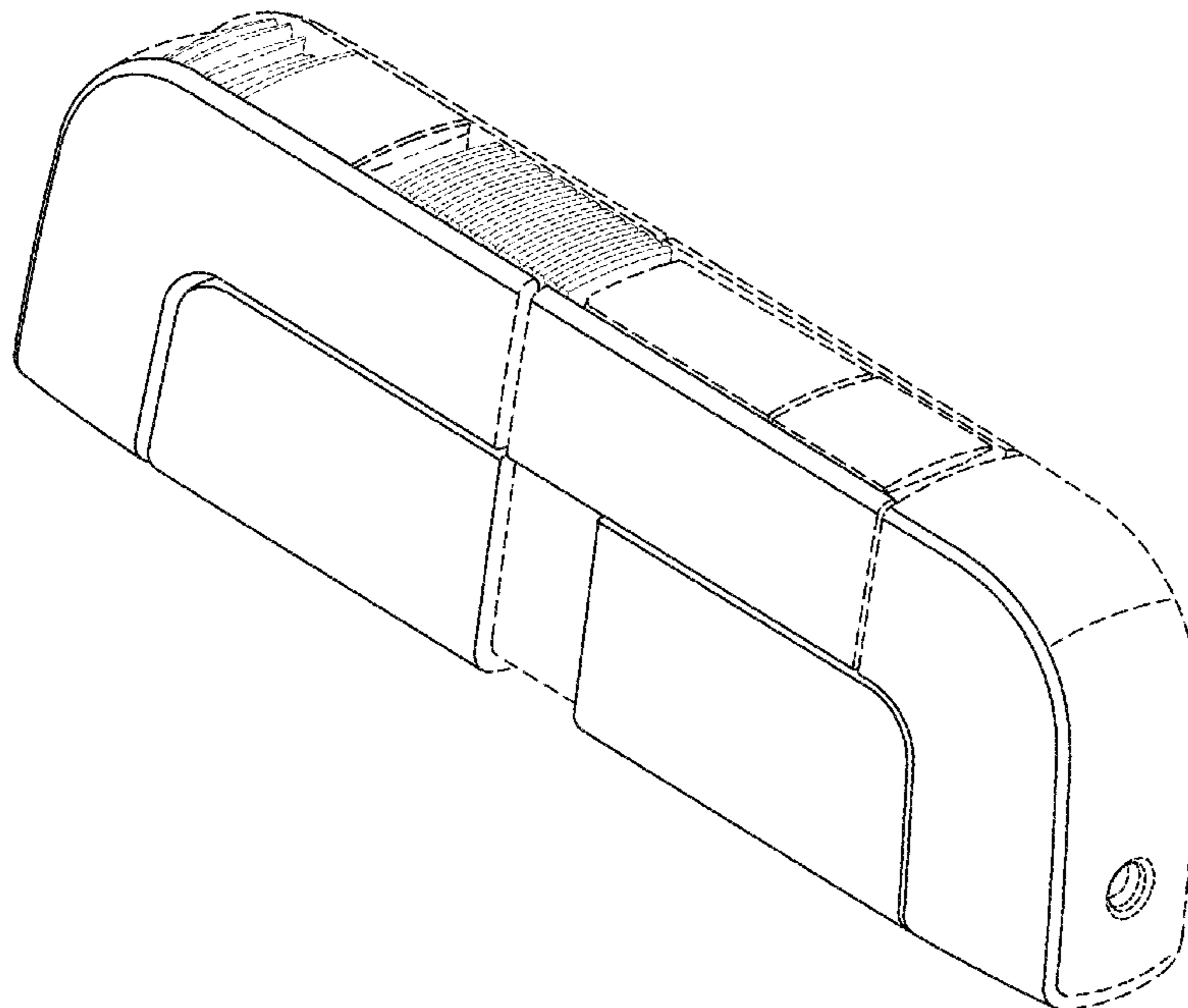
(52) **U.S. Cl.**  
USPC ..... **D24/169**

(58) **Field of Classification Search**  
USPC ..... D24/216, 223, 231, 232, 107, 169, 186;  
D10/81; 422/68.1, 420, 500;  
435/287.1, 287.3; 436/43, 45, 47;  
600/309, 365, 368, 583, 584

The broken lines illustrate unclaimed portions of the blood glucose cartridge and form no part of the claimed design.

See application file for complete search history.

**1 Claim, 3 Drawing Sheets**



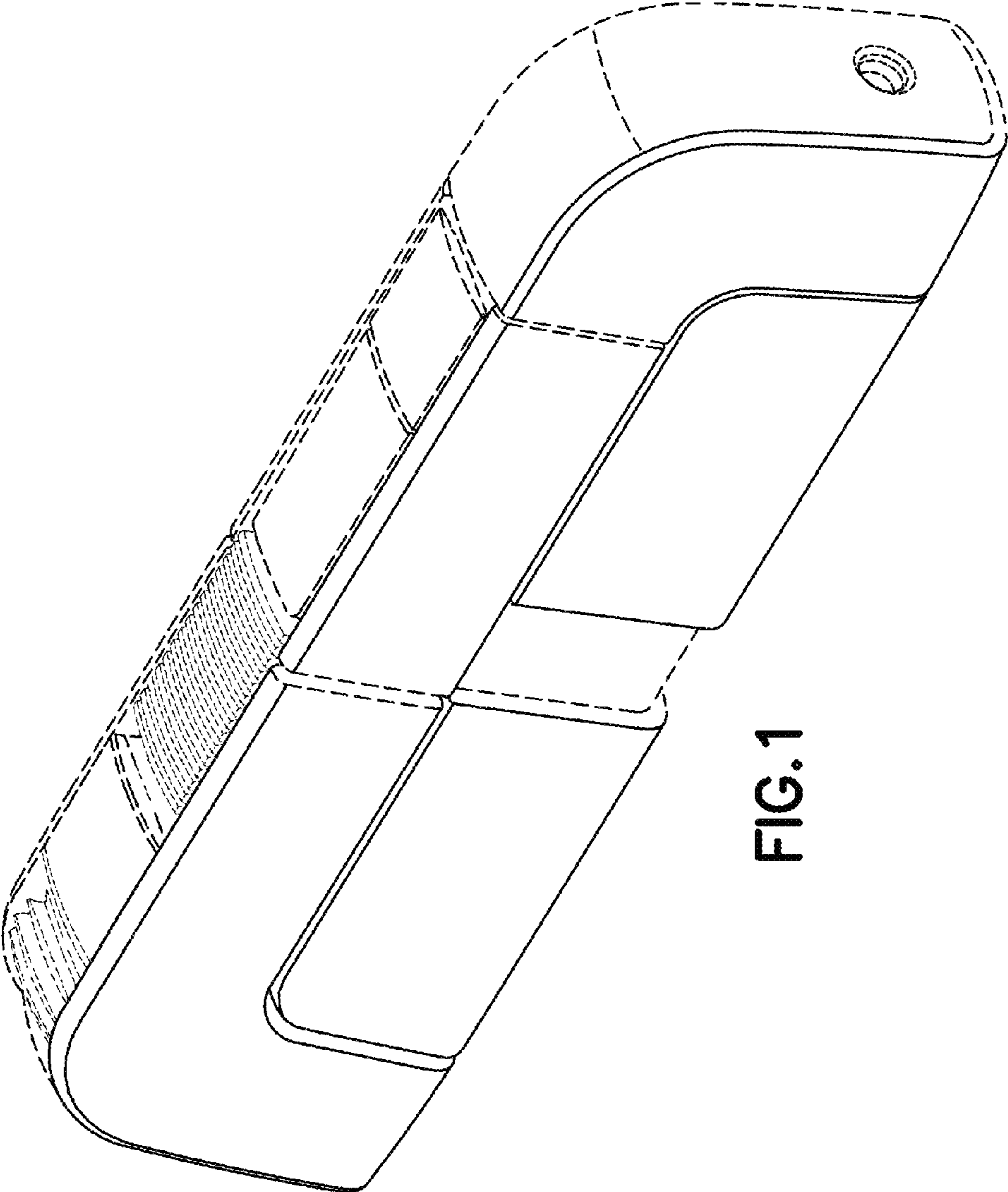


FIG. 1

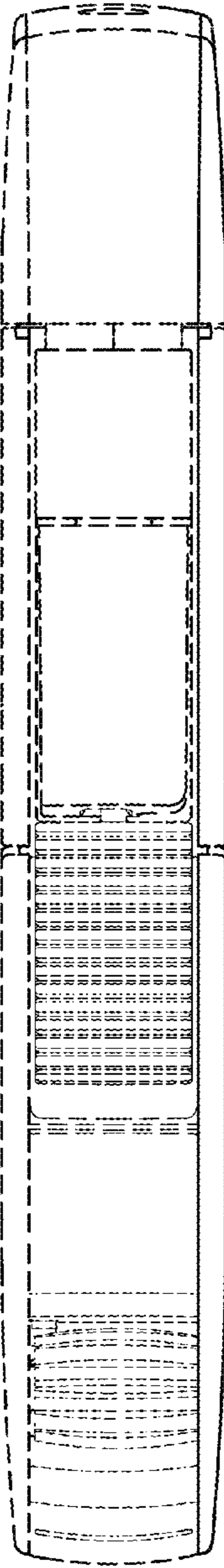


FIG. 2

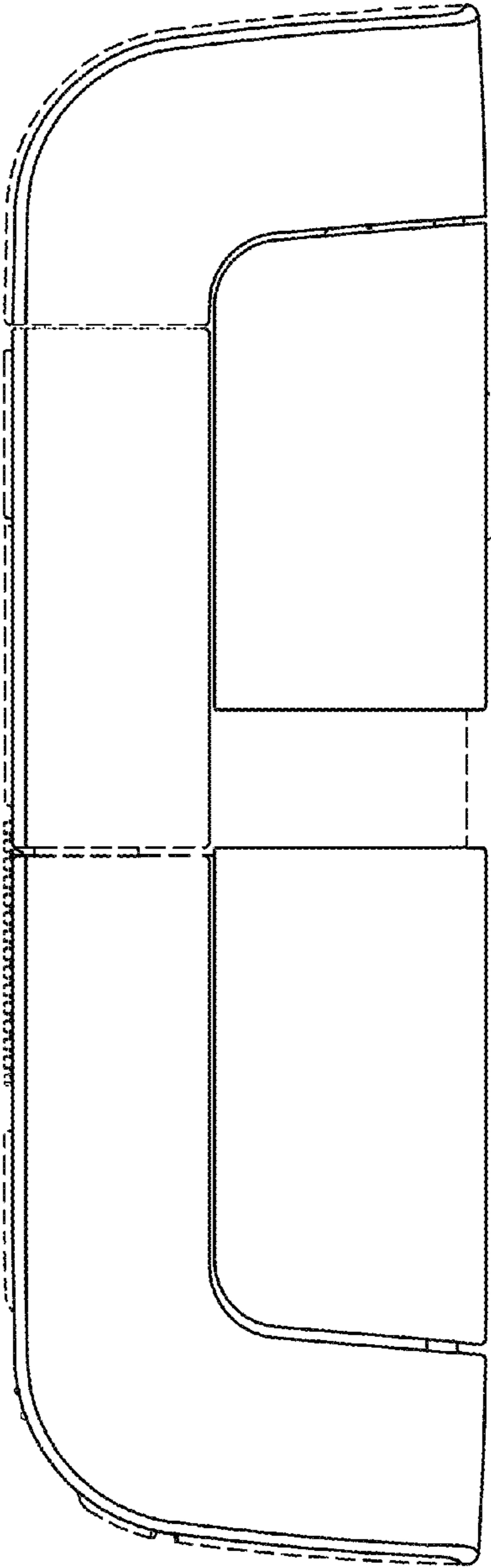


FIG. 3

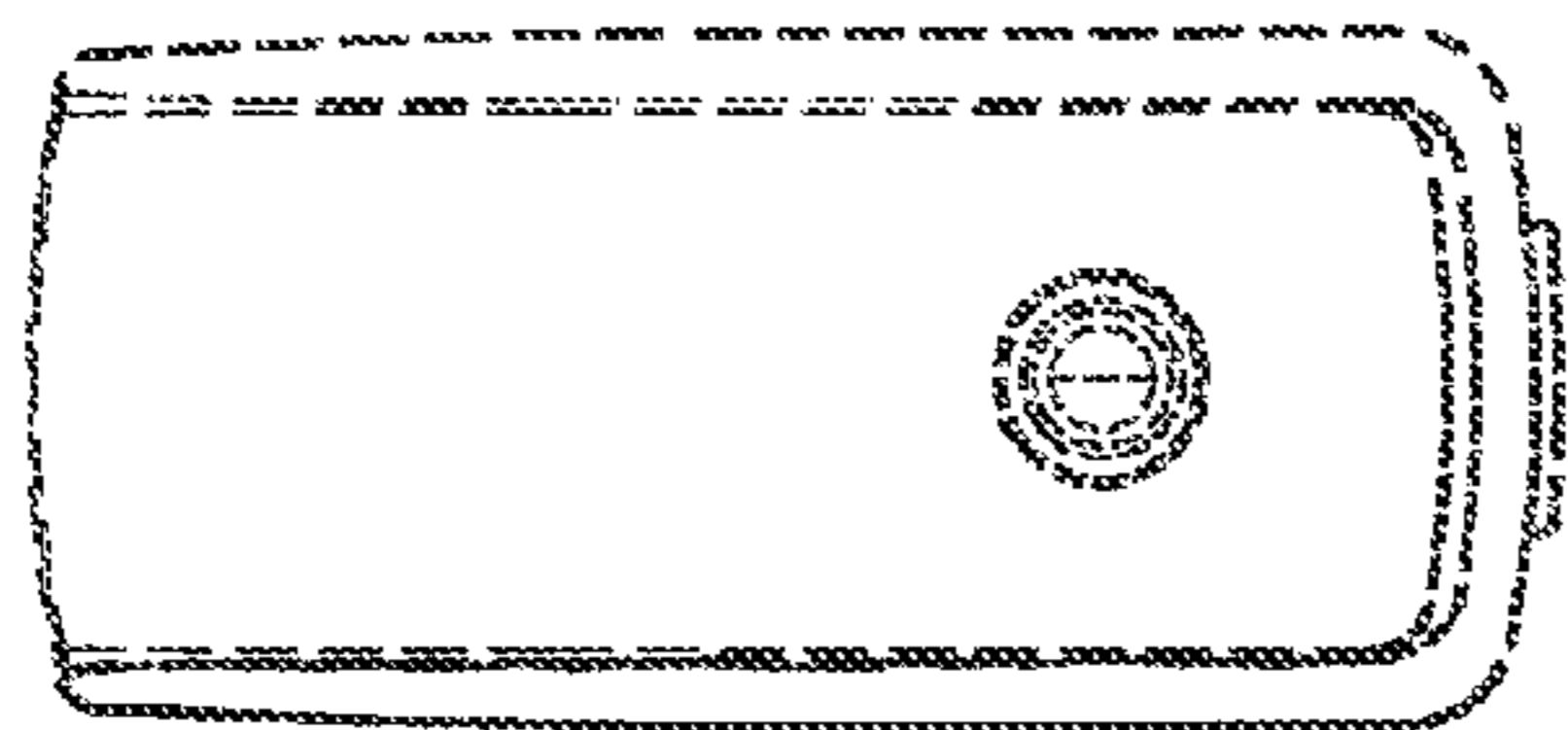


FIG. 4

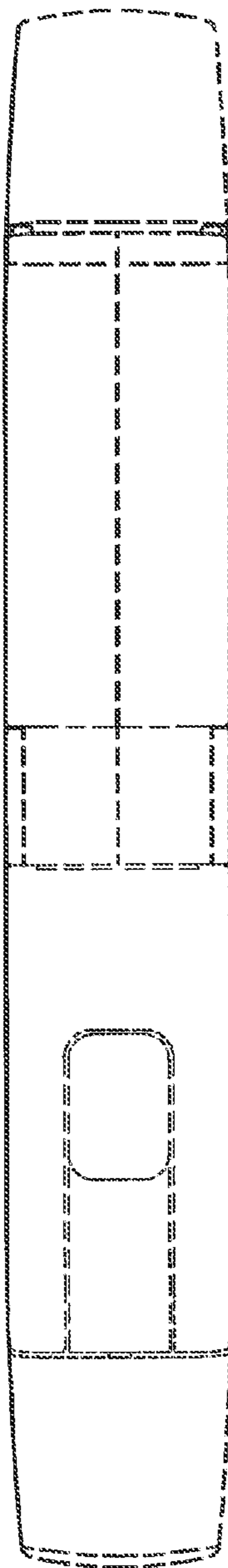


FIG. 5

UNITED STATES PATENT AND TRADEMARK OFFICE  
**CERTIFICATE OF CORRECTION**

PATENT NO. : D706,933 S  
APPLICATION NO. : 29/443965  
DATED : June 10, 2014  
INVENTOR(S) : Oren Fuerst et al.

Page 1 of 1

It is certified that error appears in the above-identified patent and that said Letters Patent is hereby corrected as shown below:

On the title page, item 12, Delete the name “Feurst et al.” and insert --Fuerst et al.--.

On the title page, item 71, Applicants, Delete the applicant name “Oren Feurst” and insert --Oren Fuerst--.

On the title page, item 72, Inventors, Delete the inventor name “Oren Feurst” and insert --Oren Fuerst--.

Signed and Sealed this  
Sixteenth Day of August, 2016



Michelle K. Lee  
*Director of the United States Patent and Trademark Office*