



US00D706932S

(12) **United States Design Patent**
Matsubara et al.

(10) **Patent No.:** **US D706,932 S**
(45) **Date of Patent:** **** Jun. 10, 2014**

(54) **STRUT FOR AN INCUBATOR**

FOREIGN PATENT DOCUMENTS

(71) Applicant: **Atom Medical Corporation**, Tokyo (JP)
(72) Inventors: **Kazuo Matsubara**, Tokyo (JP); **Terumi Matsubara**, Tokyo (JP); **Hidetoshi Satou**, Saitama (JP); **Masaaki Oohashi**, Saitama (JP); **Keisuke Wakabayashi**, Saitama (JP)

JP 2000-342637 12/2000
JP 2009-045305 3/2009
JP 2010-075284 4/2010
JP 2010-207439 9/2010

* cited by examiner

(73) Assignee: **Atom Medical Corporation**, Tokyo (JP)

Primary Examiner — Anhdao Doan

(**) Term: **14 Years**

(74) *Attorney, Agent, or Firm* — Smith Gambrell & Russell LLP

(21) Appl. No.: **29/433,372**

(57) **CLAIM**

The ornamental design for a strut for an incubator, as shown and described.

(22) Filed: **Sep. 28, 2012**

(51) **LOC (10) Cl.** **24-01**

(52) **U.S. Cl.**

USPC **D24/163**

(58) **Field of Classification Search**

USPC D24/163, 164, 185, 202, 209, 231;
D25/61, 119, 124, 126; D6/712;
600/21, 22; 119/311; 128/202.12,
128/205.26

See application file for complete search history.

DESCRIPTION

FIG. 1 is a front elevational view of the claimed design in association with an incubator shown in broken lines; FIG. 2 is a left side elevational view of the claimed design in association with an incubator shown in broken lines; FIG. 3 is a right side elevational view of the claimed design in association with an incubator shown in broken lines; FIG. 4 is a back elevational view of the claimed design in association with an incubator shown in broken lines; FIG. 5 is a top plan view of the claimed design in association with an incubator shown in broken lines; FIG. 6 is a bottom plan view of the claimed design in association with an incubator shown in broken lines; and, FIG. 7 is an enlarged sectional view taken along line 7-7 of FIG. 1.

The dashed lines are included for illustrating environmental structure and form no part of the claimed design.

(56) **References Cited**

U.S. PATENT DOCUMENTS

D240,768 S * 7/1976 Beld et al. D24/163
5,980,449 A * 11/1999 Benson et al. 600/22
D421,133 S * 2/2000 Mandell D25/61
D589,724 S * 4/2009 Howe et al. D6/495
D604,416 S * 11/2009 Chilton et al. D24/163
2006/0100477 A1 * 5/2006 Falk 600/22
2010/0113864 A1 * 5/2010 Matsubara et al. 600/22
2010/0286471 A1 * 11/2010 Matsubara et al. 600/22

1 Claim, 4 Drawing Sheets

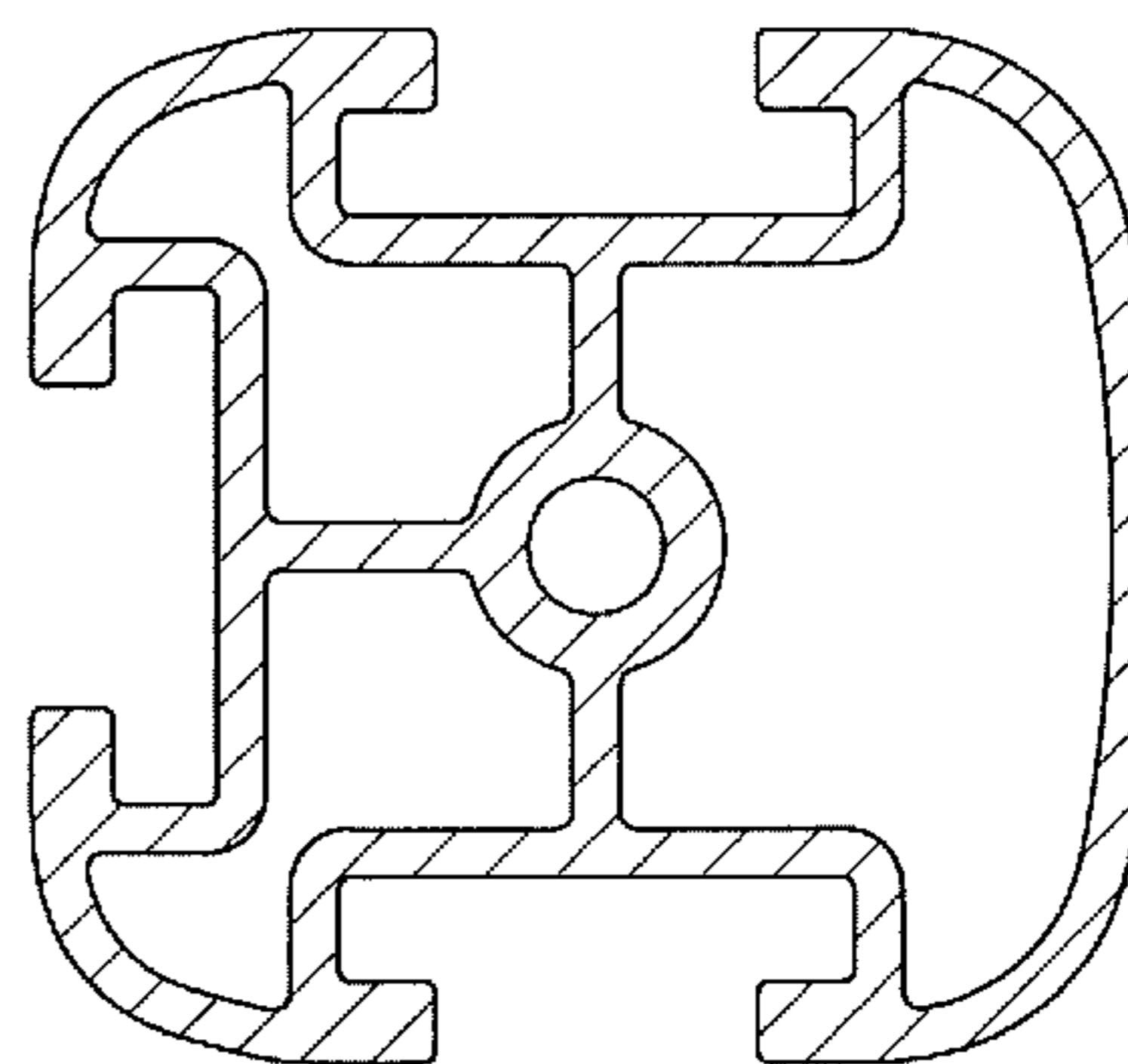
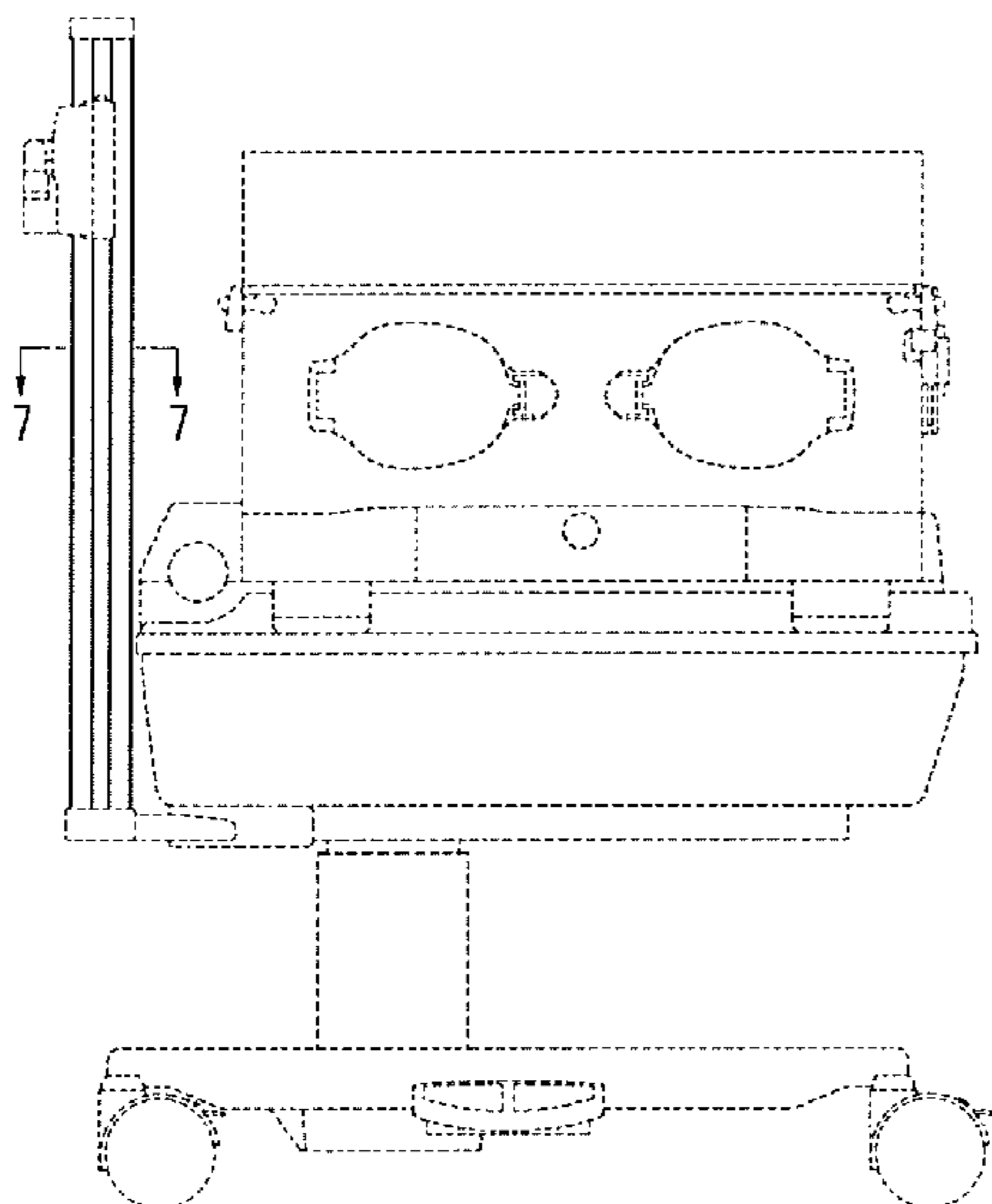


FIG. 1

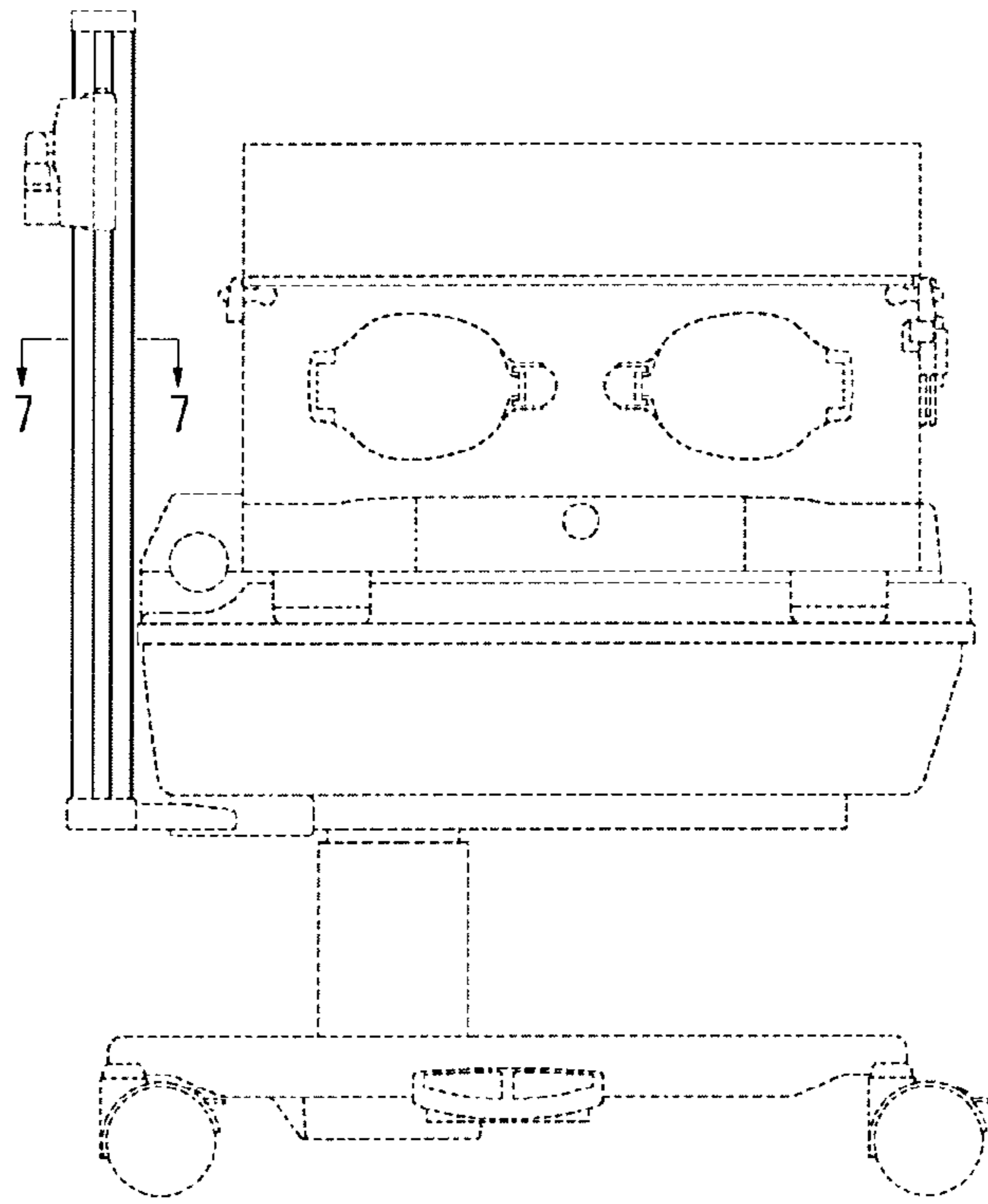


FIG. 2

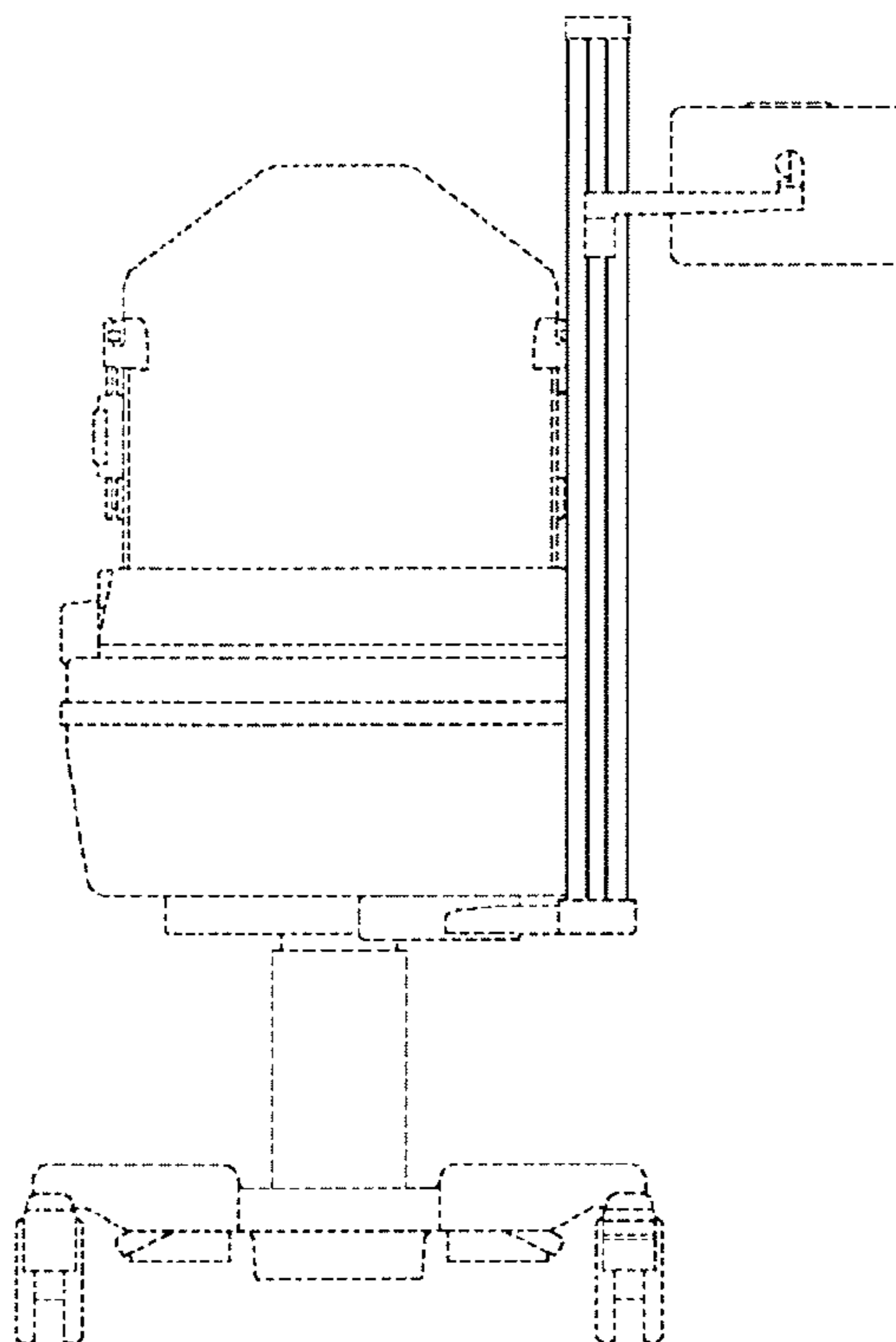


FIG. 3

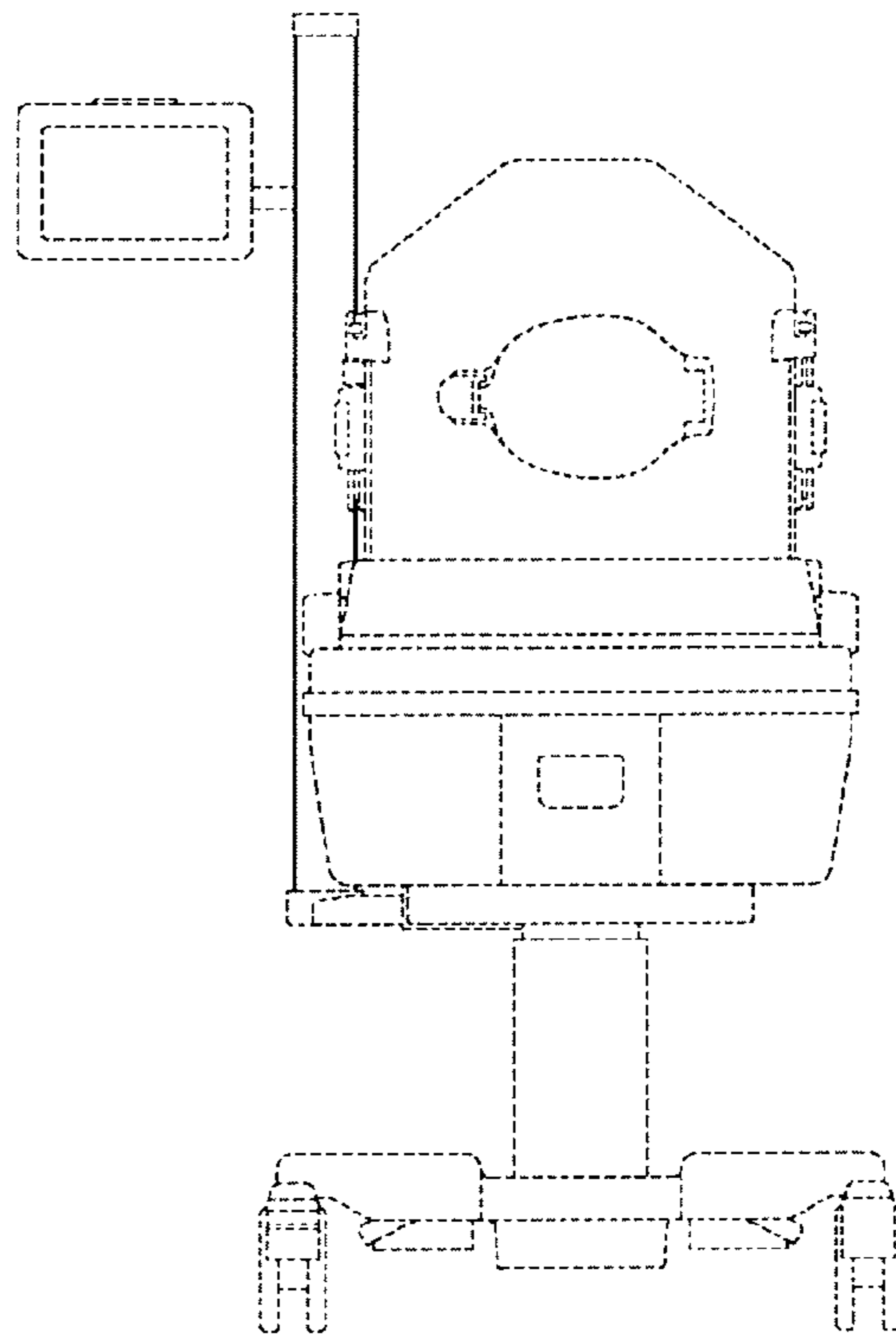


FIG. 4

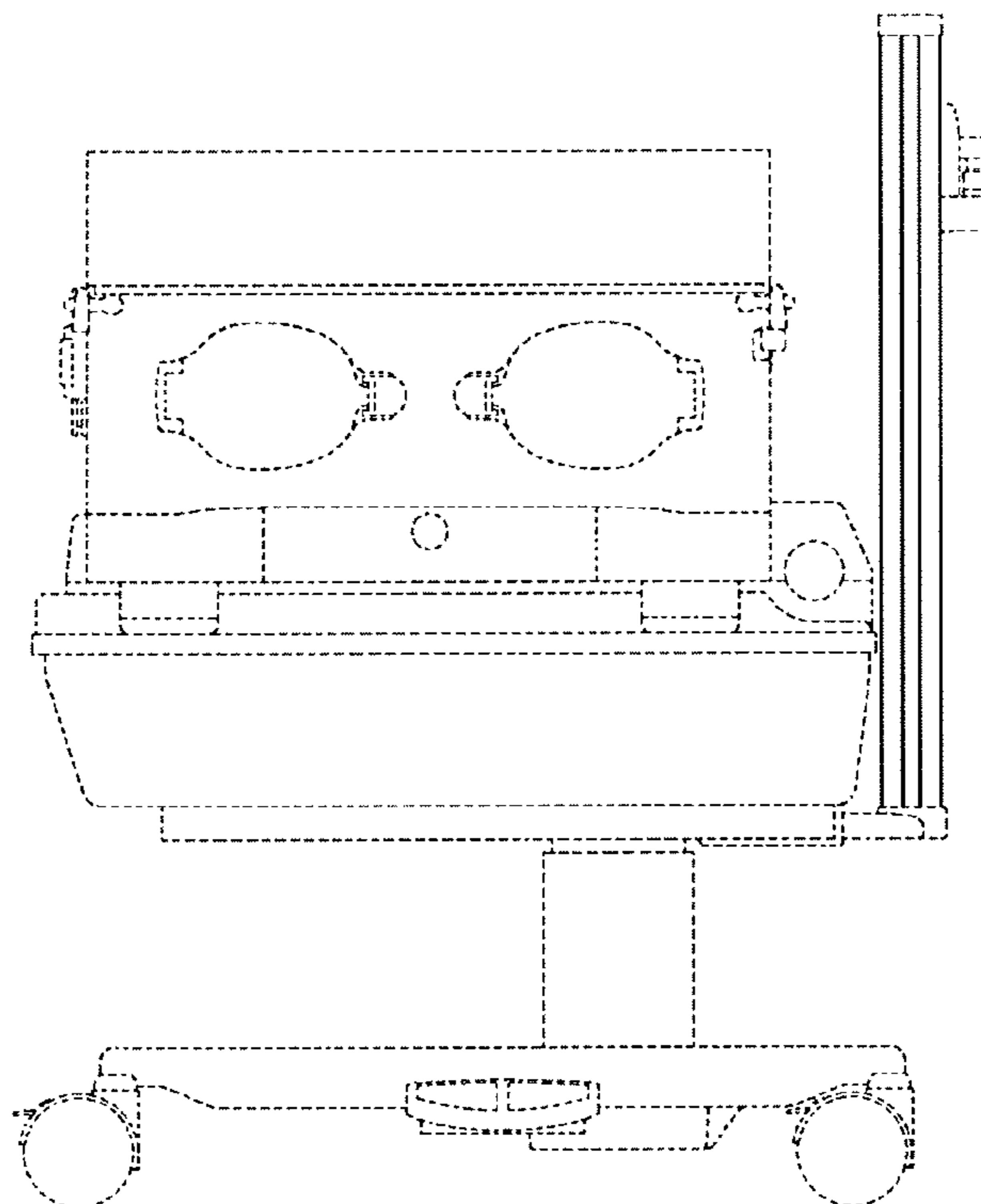


FIG. 5

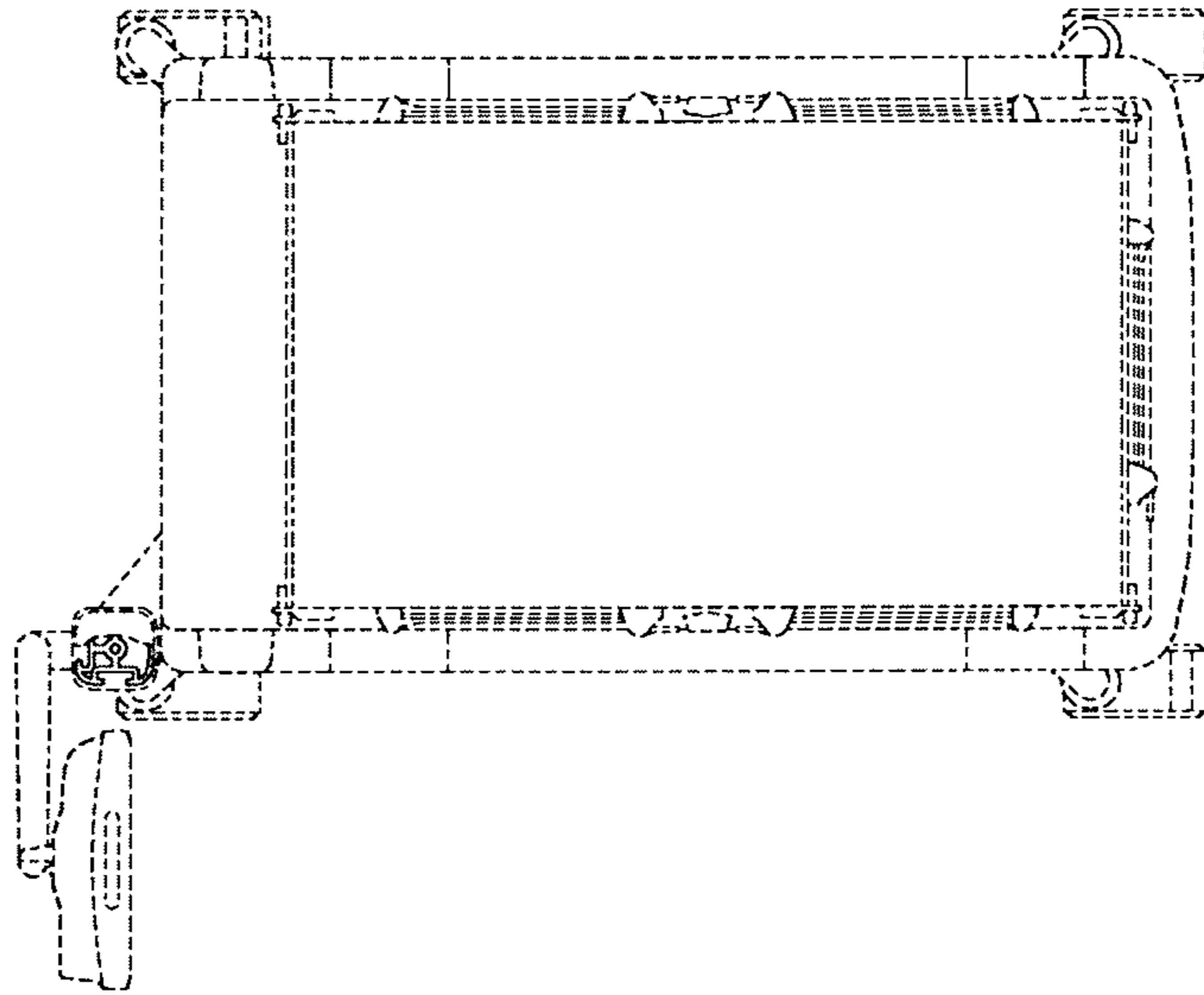


FIG. 6

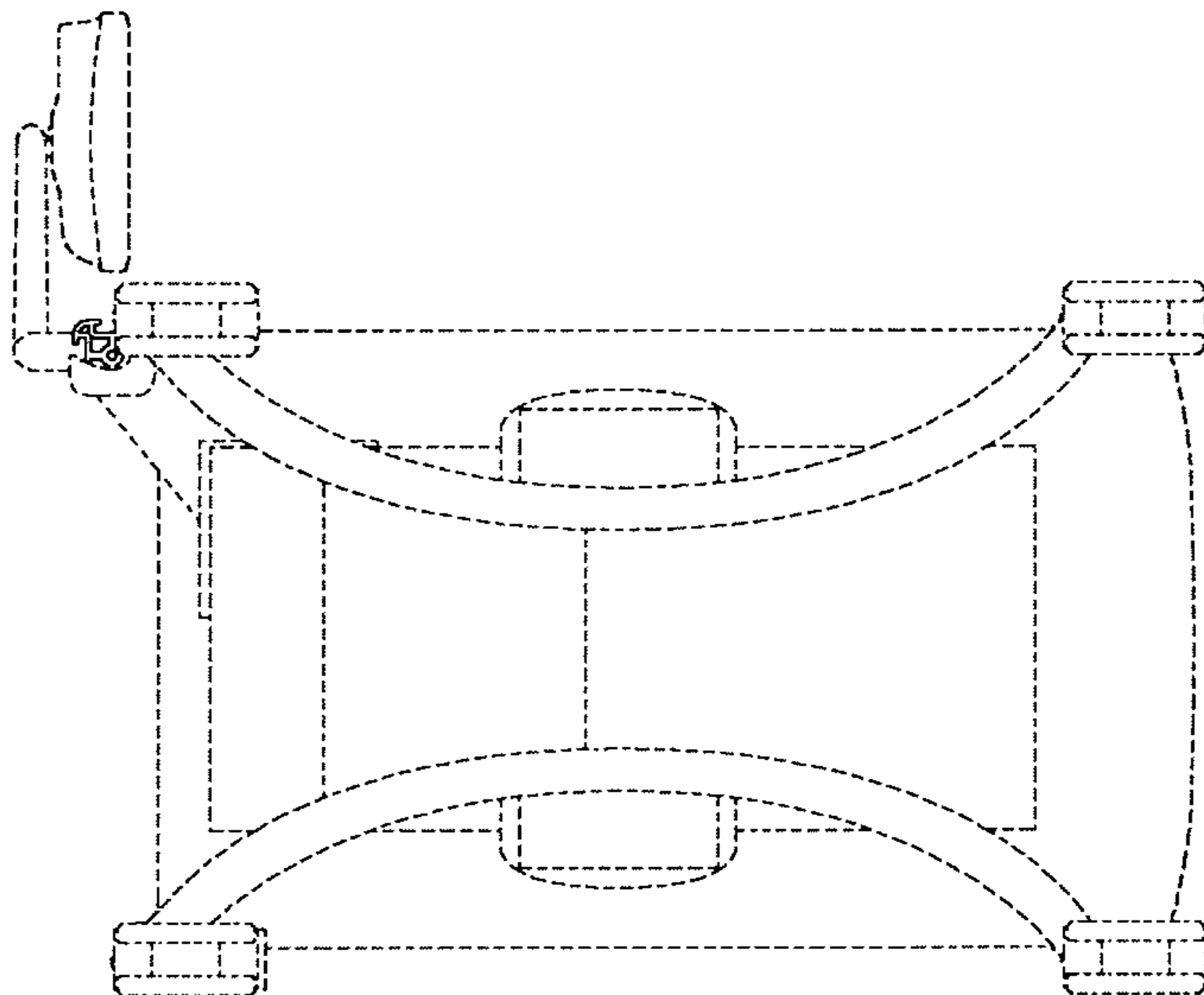


FIG. 7

