



US00D706931S

(12) **United States Design Patent**
Matsubara et al.

(10) **Patent No.:** **US D706,931 S**
(45) **Date of Patent:** **** Jun. 10, 2014**

- (54) **STRUT FOR AN INCUBATOR**
- (71) Applicant: **Atom Medical Corporation**, Tokyo (JP)
- (72) Inventors: **Kazuo Matsubara**, Tokyo (JP); **Terumi Matsubara**, Tokyo (JP); **Hidetoshi Satou**, Saitama (JP); **Masaaki Oohashi**, Saitama (JP); **Shinichi Kobayashi**, Saitama (JP)
- (73) Assignee: **Atom Medical Corporation**, Tokyo (JP)
- (**) Term: **14 Years**
- (21) Appl. No.: **29/433,363**
- (22) Filed: **Sep. 28, 2012**
- (51) **LOC (10) Cl.** **24-01**
- (52) **U.S. Cl.**
USPC **D24/163**
- (58) **Field of Classification Search**
USPC D24/163, 164, 185, 202, 209, 231;
D25/61, 119, 124, 126; D6/712;
600/21, 22; 119/311; 128/202.12,
128/205.26
See application file for complete search history.

JP 2010-075284 4/2010
JP 2010-207439 9/2010

* cited by examiner

Primary Examiner — Anhdao Doan
(74) *Attorney, Agent, or Firm* — Smith, Gambrell & Russell, LLP

(57) **CLAIM**

The ornamental design for a strut for an incubator, as shown and described.

DESCRIPTION

FIG. 1 is a front elevational view of the claimed design in association with an strut for an incubator shown in broken lines;

FIG. 2 is a left side elevational view of the claimed design in association with an strut for an incubator shown in broken lines;

FIG. 3 is a right side elevational view of the claimed design in association with an strut for an incubator shown in broken lines;

FIG. 4 is a back elevational view of the claimed design in association with an strut for an incubator shown in broken lines;

FIG. 5 is a top plan view of the claimed design in association with an strut for an incubator shown in broken lines;

FIG. 6 is a bottom plan view of the claimed design in association with an strut for an incubator shown in broken lines; and,

FIG. 7 is an enlarged sectional view taken along line 7-7 of FIG. 1.

The broken lines immediately adjacent the claimed portions in FIG. 4 represent the bounds of the claim, and all other broken lines are included for illustrating environmental structure. None of the broken lines form a part of the claimed design.

(56) **References Cited**

U.S. PATENT DOCUMENTS

D240,768	S	*	7/1976	Beld et al.	D24/163
5,980,449	A	*	11/1999	Benson et al.	600/22
D421,133	S	*	2/2000	Mandell	D25/61
D589,724	S	*	4/2009	Howe et al.	D6/495
D604,416	S	*	11/2009	Chilton et al.	D24/163
2006/0100477	A1	*	5/2006	Falk	600/22
2010/0113864	A1	*	5/2010	Matsubara et al.	600/22
2010/0286471	A1	*	11/2010	Matsubara et al.	600/22

FOREIGN PATENT DOCUMENTS

JP	2000-342637	12/2000
JP	2009-045305	3/2009

1 Claim, 4 Drawing Sheets

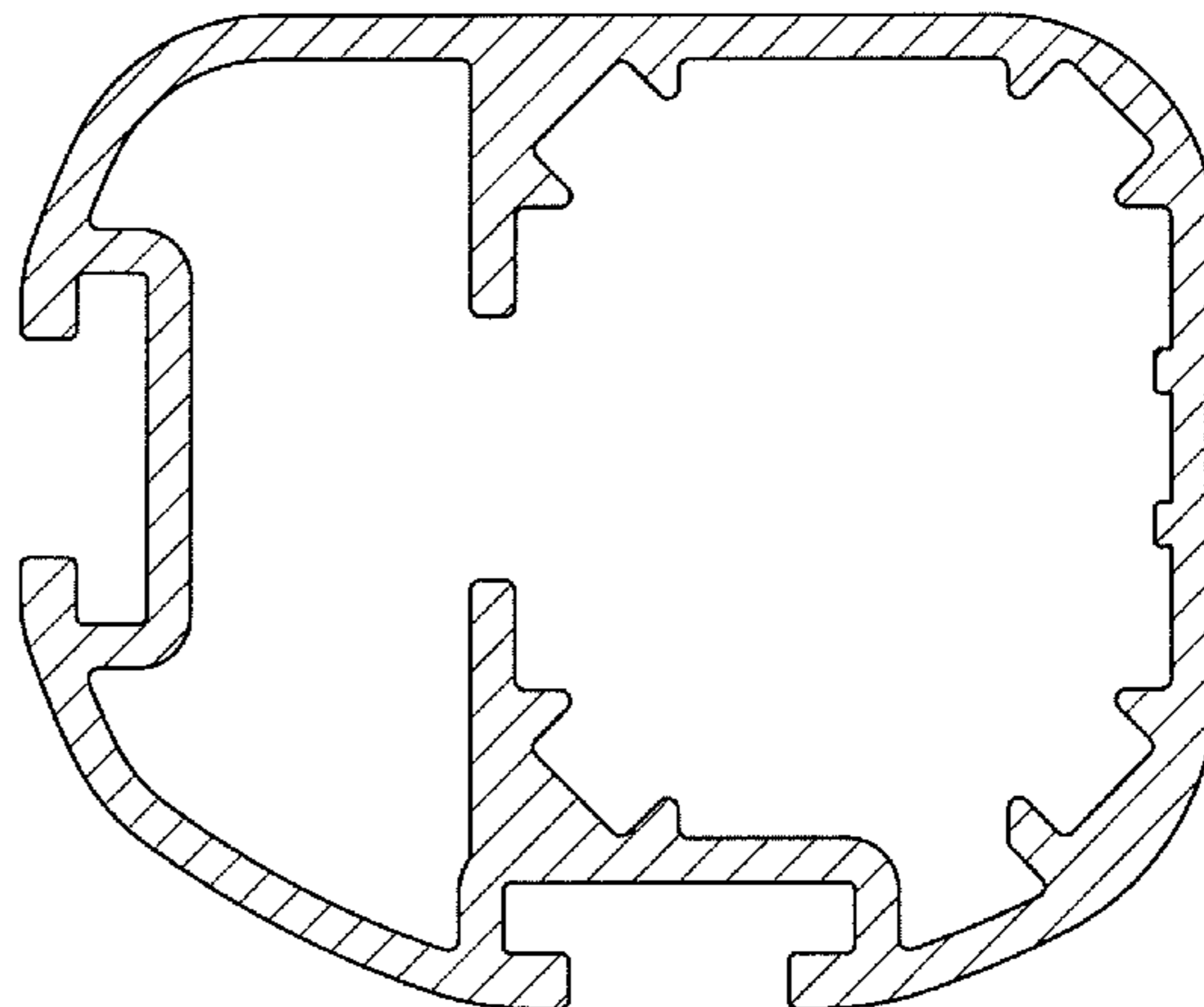
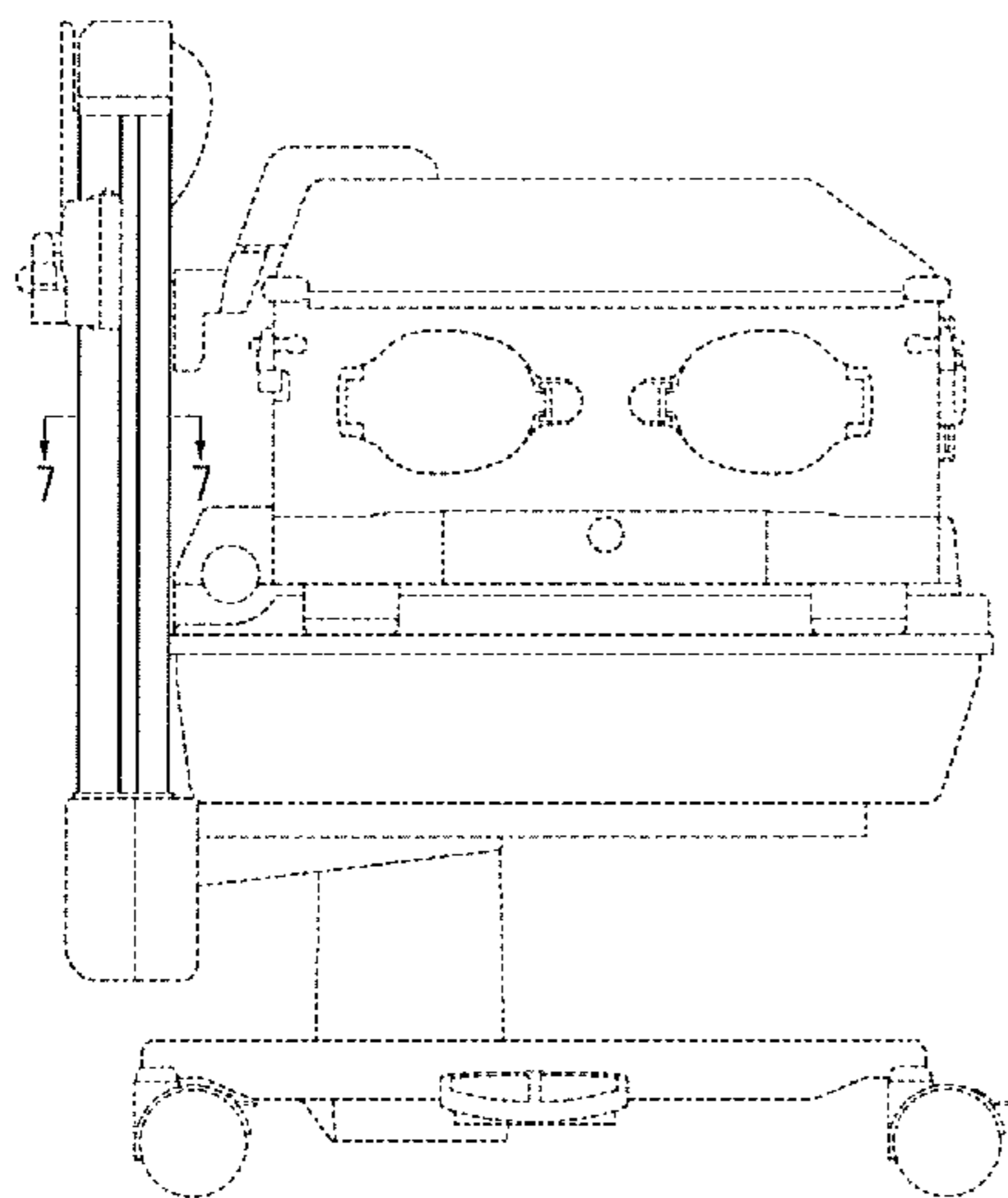


FIG. 1

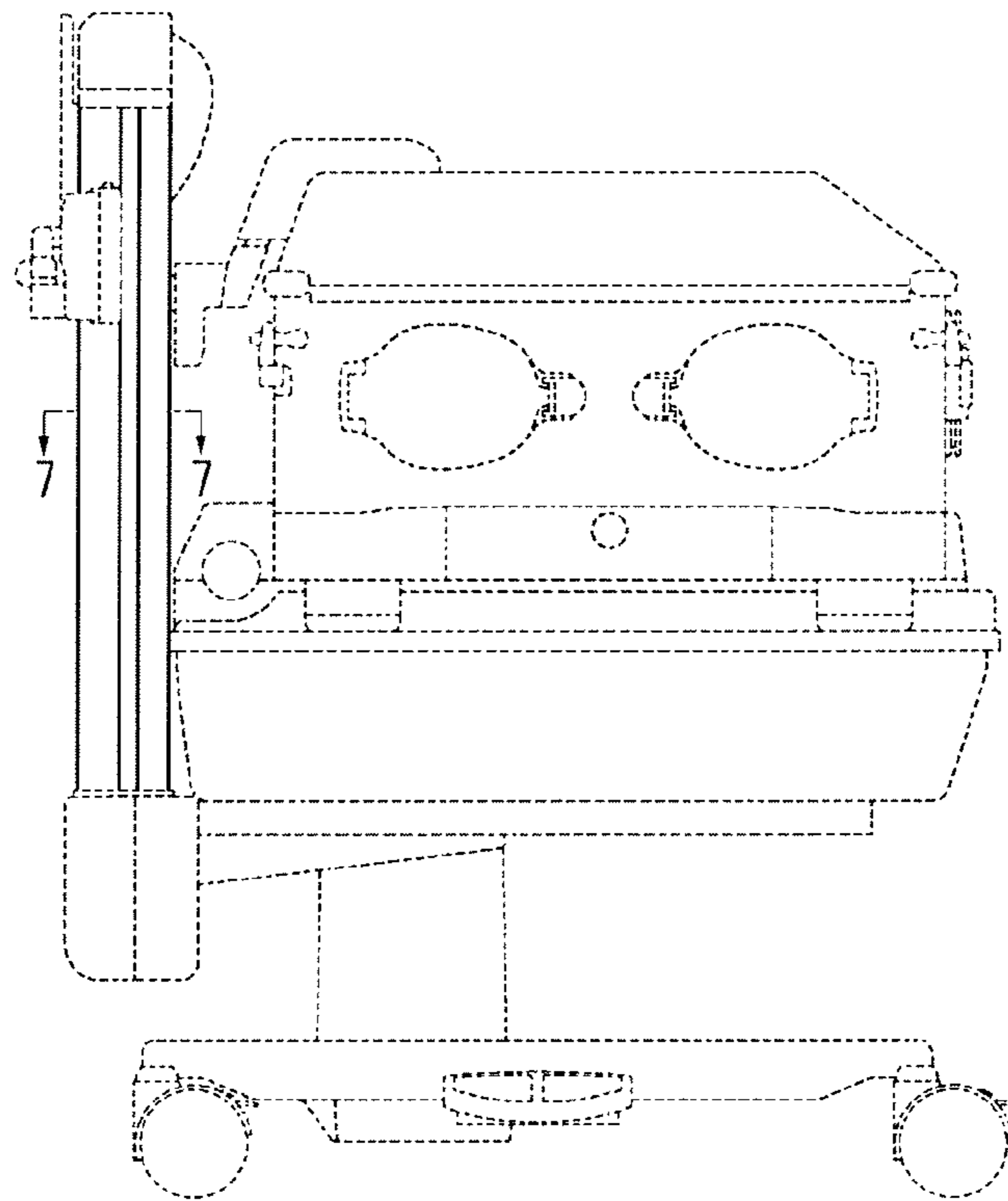


FIG. 2

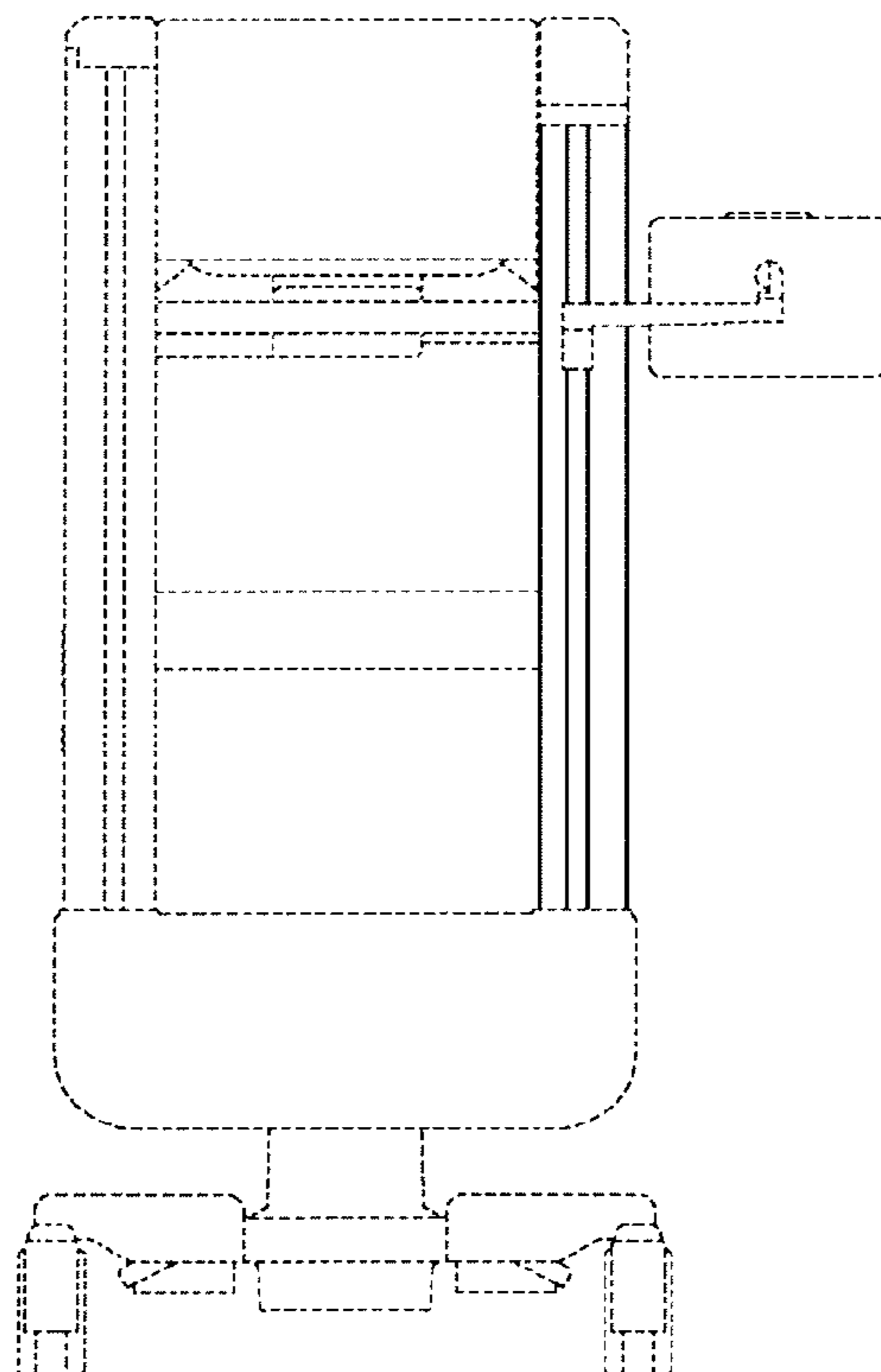


FIG. 3

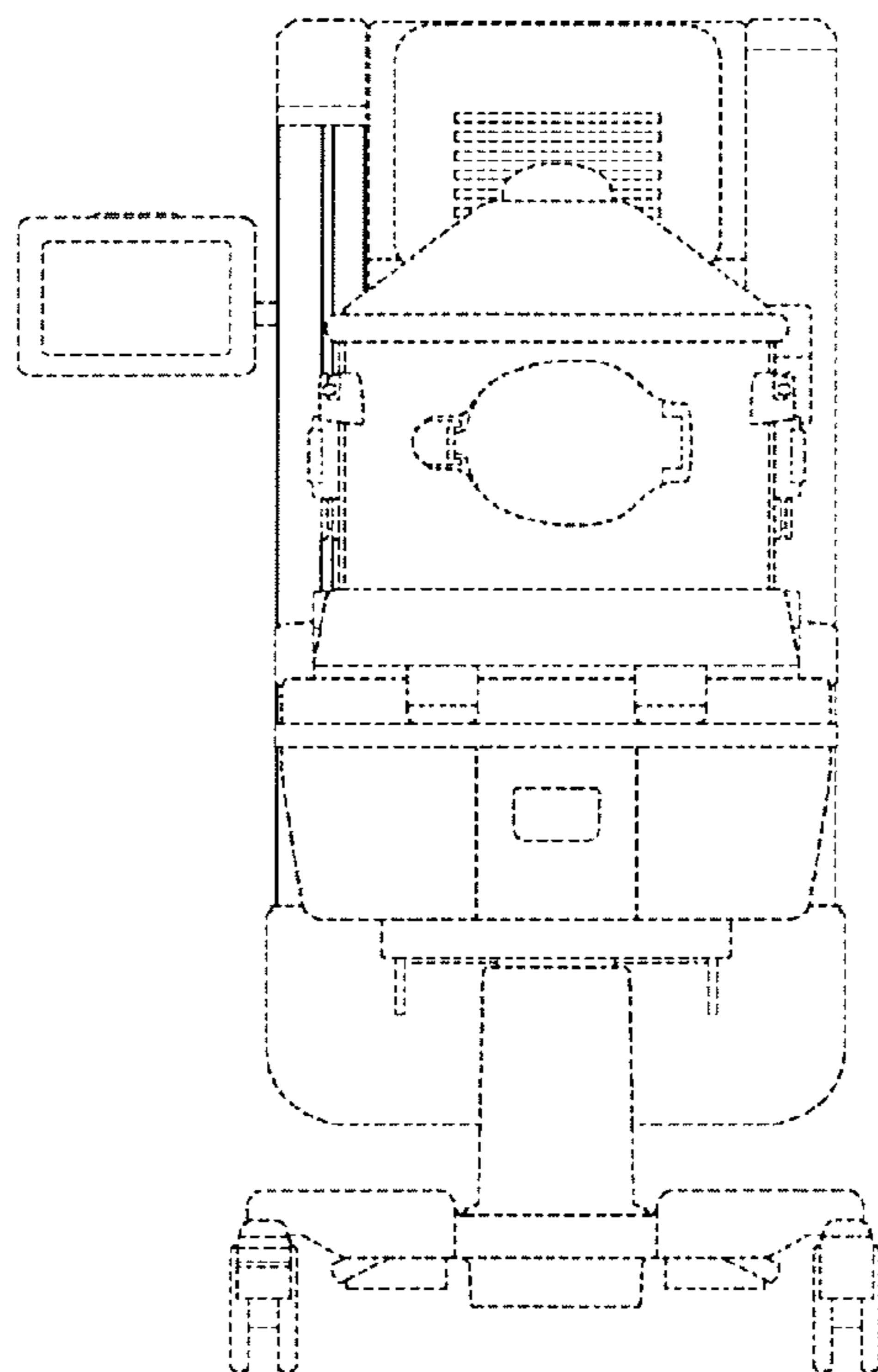


FIG. 4

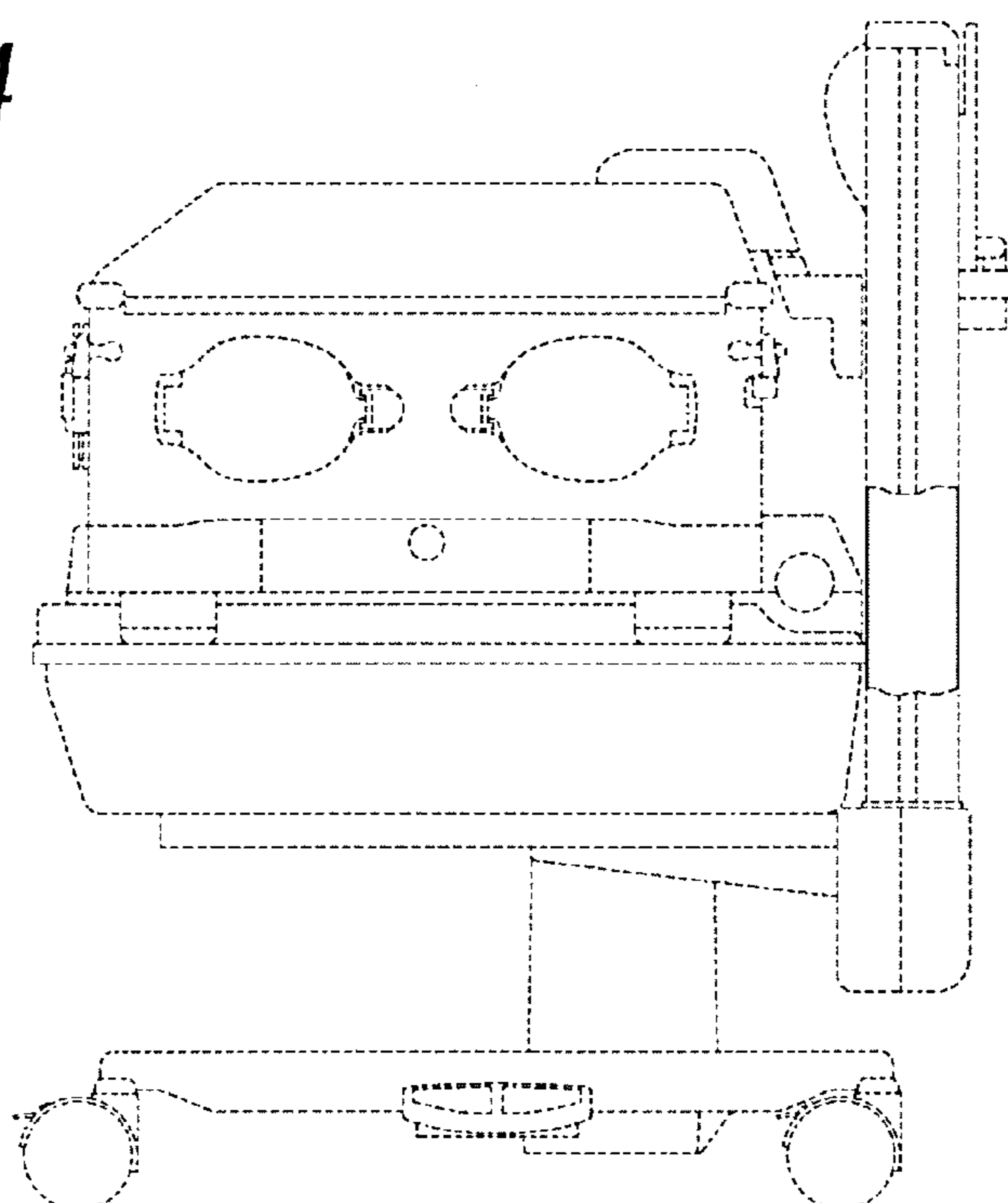


FIG. 5

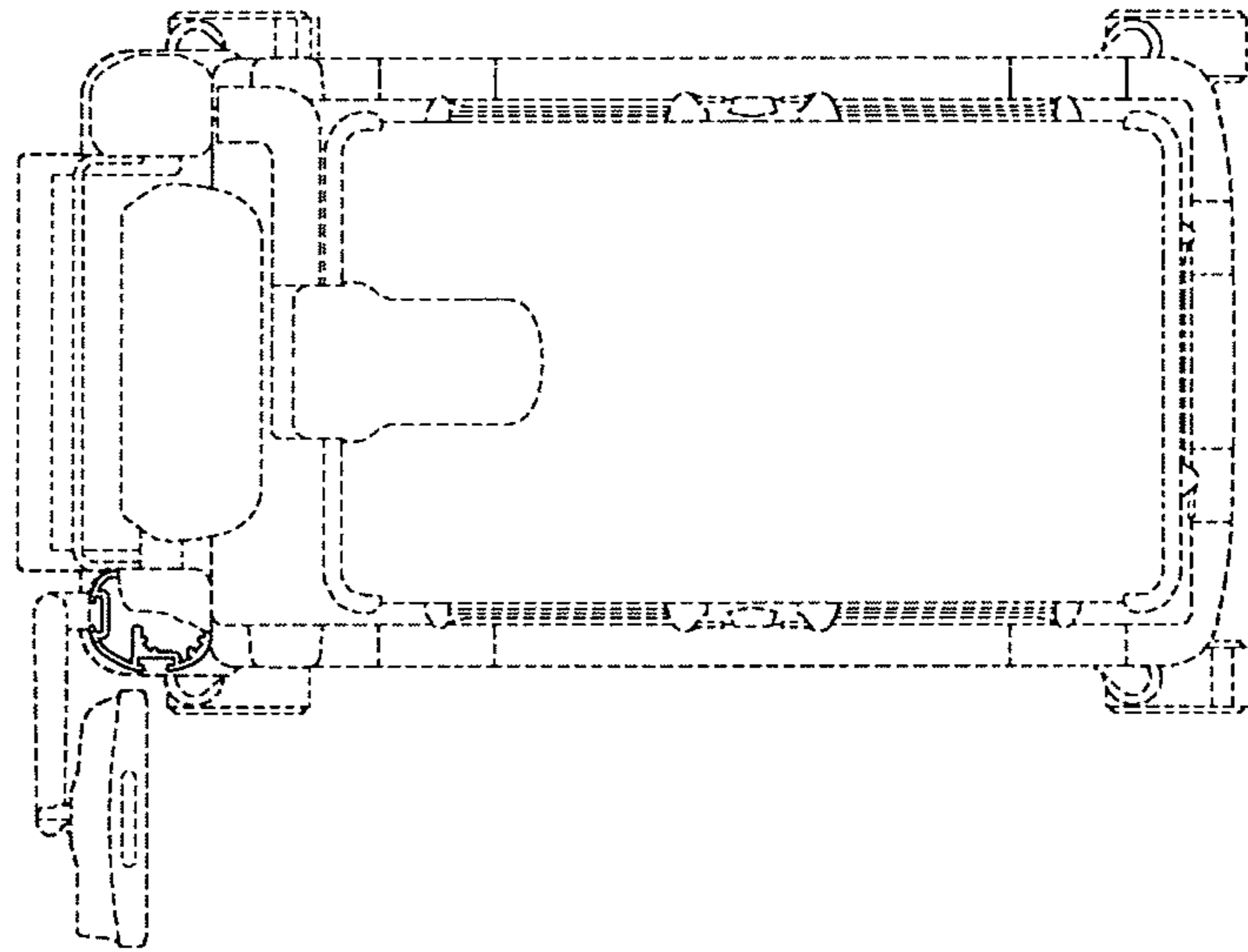


FIG. 6

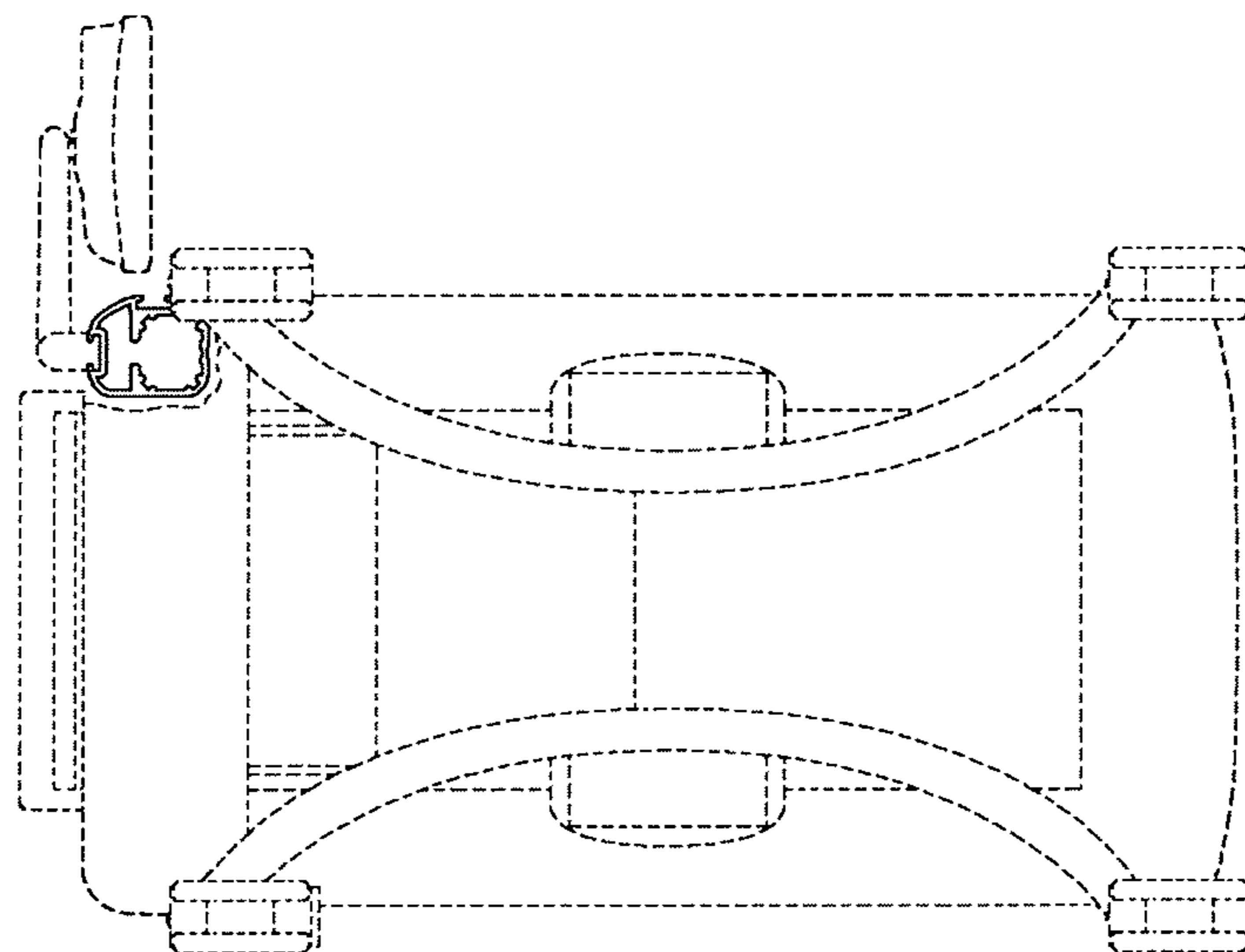


FIG. 7

