



US00D706930S

(12) **United States Design Patent**
Lin et al.

(10) **Patent No.:** **US D706,930 S**
(45) **Date of Patent:** **** Jun. 10, 2014**

(54) **FLUID CARTRIDGE**

(71) Applicant: **EDAN Diagnostics**, San Diego, CA (US)

(72) Inventors: **Chao Lin**, San Diego, CA (US); **Paul David Swanson**, Santee, CA (US); **Zhixiang Jason Zhao**, Plainsboro, NJ (US)

(73) Assignee: **Edan Diagnostics**, San Diego, CA (US)

(**) Term: **14 Years**

(21) Appl. No.: **29/437,042**

(22) Filed: **Nov. 12, 2012**

(51) **LOC (10) Cl.** **24-00**

(52) **U.S. Cl.**
USPC **D24/162**

(58) **Field of Classification Search**
USPC D24/137, 138, 140, 150, 157, 225, 160, D24/162, 166, 172, 174, 177, 183, 185, 186, D24/199, 216, 277, 230, 231, 232, 234, D24/454; 210/808, 232, 239; 206/223
See application file for complete search history.

(56) **References Cited**

U.S. PATENT DOCUMENTS

5,042,691	A	8/1991	Maldonado	
D336,514	S *	6/1993	Valerio et al. D24/111
D445,509	S	7/2001	Berndt et al.	
2007/0172388	A1	7/2007	Padmanabhan et al.	
2009/0065368	A1	3/2009	Davis et al.	
2010/0328405	A1	12/2010	Ness et al.	
2011/0086378	A1	4/2011	Shany et al.	
2011/0198241	A1	8/2011	Murakami	

2011/0229373	A1	9/2011	Asakura	
2011/0287447	A1	11/2011	Norderhaug et al.	
2012/0179101	A1 *	7/2012	Briones et al. 604/151
2012/0193376	A1	8/2012	Evans et al.	
2012/0218740	A1 *	8/2012	Estes et al. 362/101
2013/0140177	A1	6/2013	Lin et al.	
2013/0140179	A1	6/2013	Lin et al.	
2013/0142709	A1	6/2013	Lin et al.	

OTHER PUBLICATIONS

U.S. Appl. No. 29/437,043, filed Nov. 12, 2012, Lin et al.
U.S. Appl. No. 29/437,044, filed Feb. 11, 2012, Lin et al.
Search Report and Written Opinion for Int'l Appln No. PCT/US2012/068299, mailed Apr. 1, 2013.
US Office Action on 104218-0300 mailed Jun. 5, 2013.

* cited by examiner

Primary Examiner — Robert M Spear

Assistant Examiner — Rhea Shields

(74) *Attorney, Agent, or Firm* — Foley & Lardner LLP

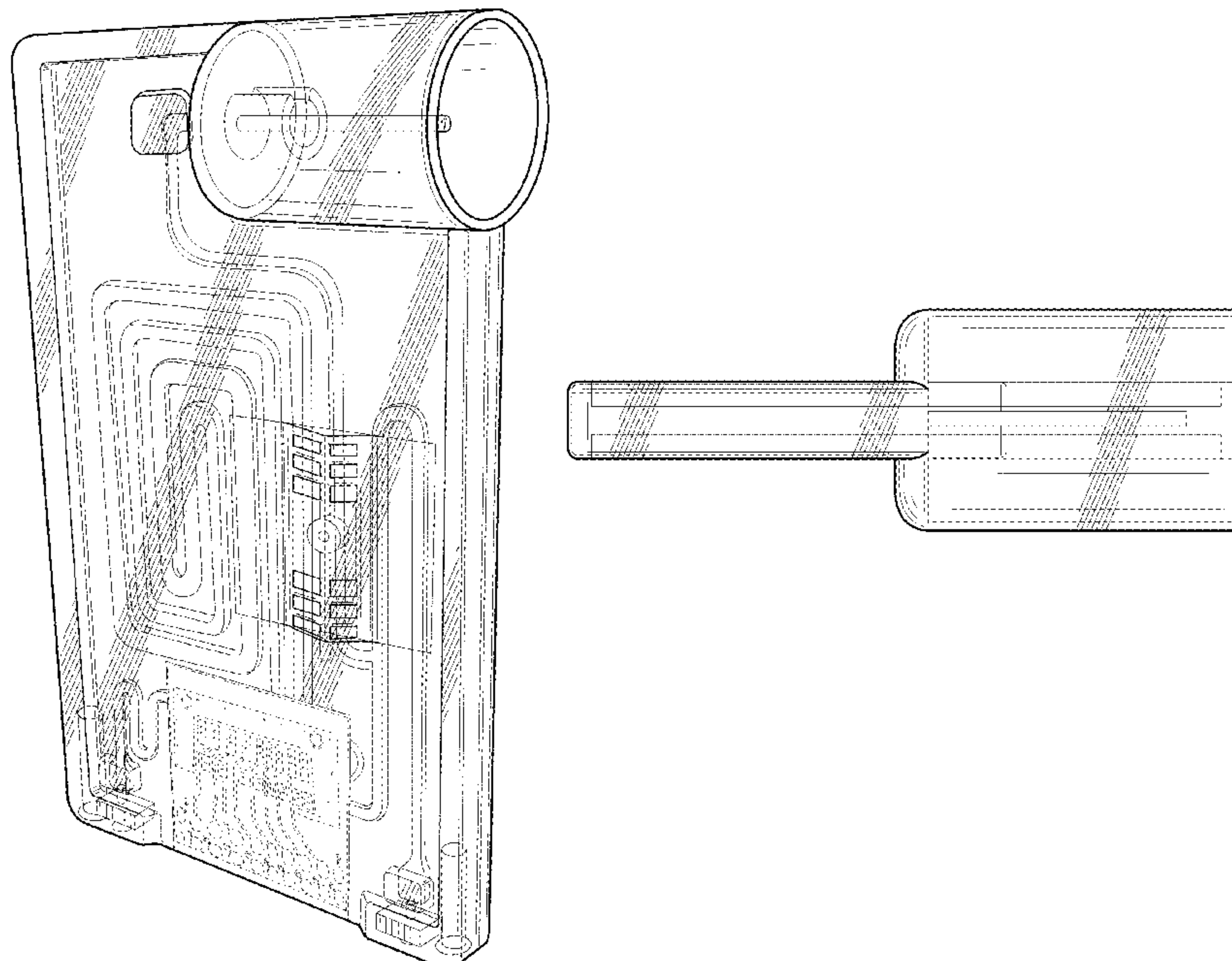
(57) **CLAIM**

We claim the ornamental design for a fluid cartridge, as shown and described.

DESCRIPTION

FIG. 1 is a top, front, right perspective view of the claimed design;
FIG. 2 is a front elevation view thereof;
FIG. 3 is a rear elevation view thereof;
FIG. 4 is a top plan view thereof;
FIG. 5 is a bottom plan view thereof;
FIG. 6 is a right elevation view thereof; and,
FIG. 7 is a left elevation view thereof.
The broken lines in the drawings represent unclaimed environmental subject matter and form no part of the claim.

1 Claim, 5 Drawing Sheets



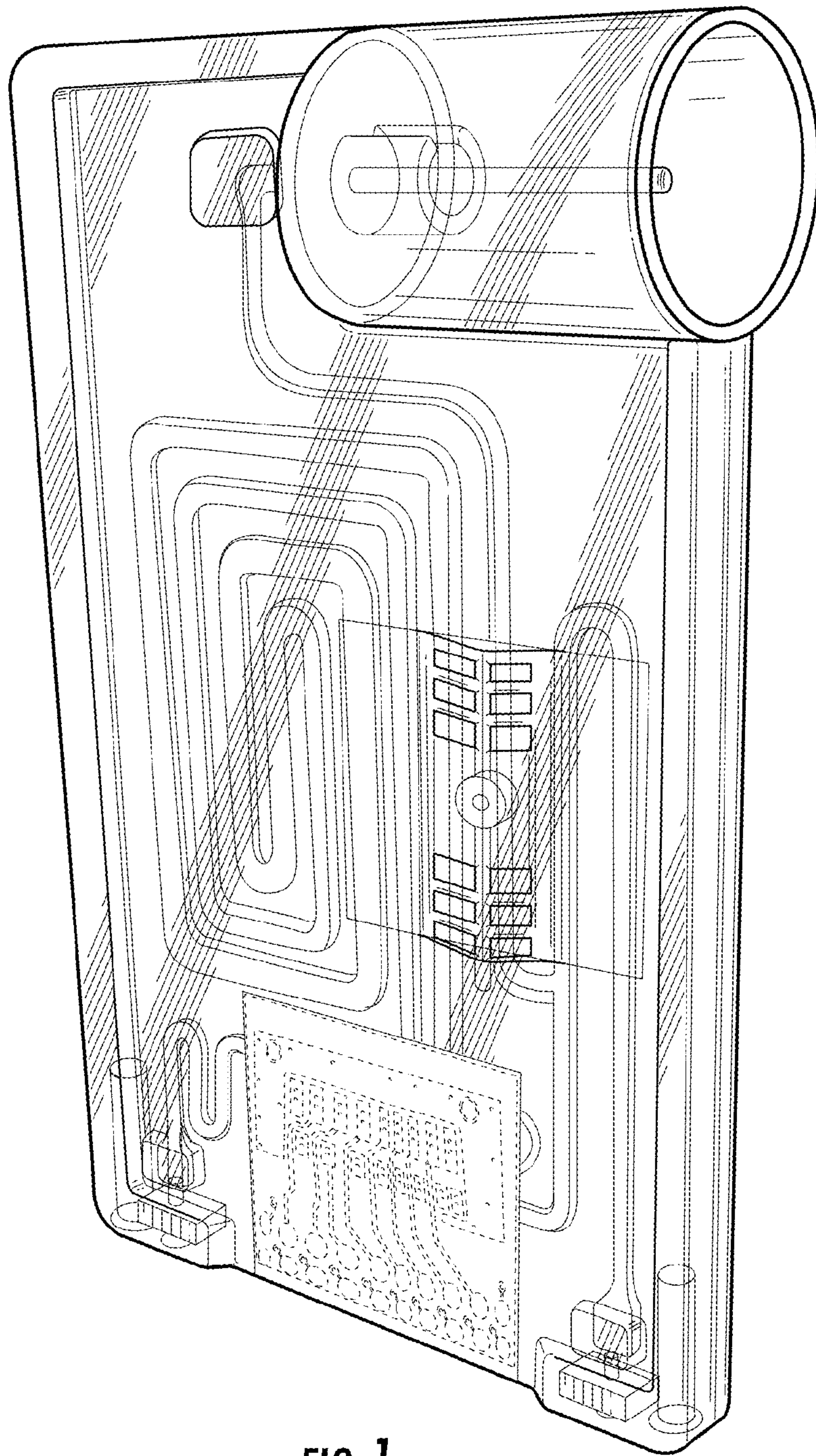


FIG. 1

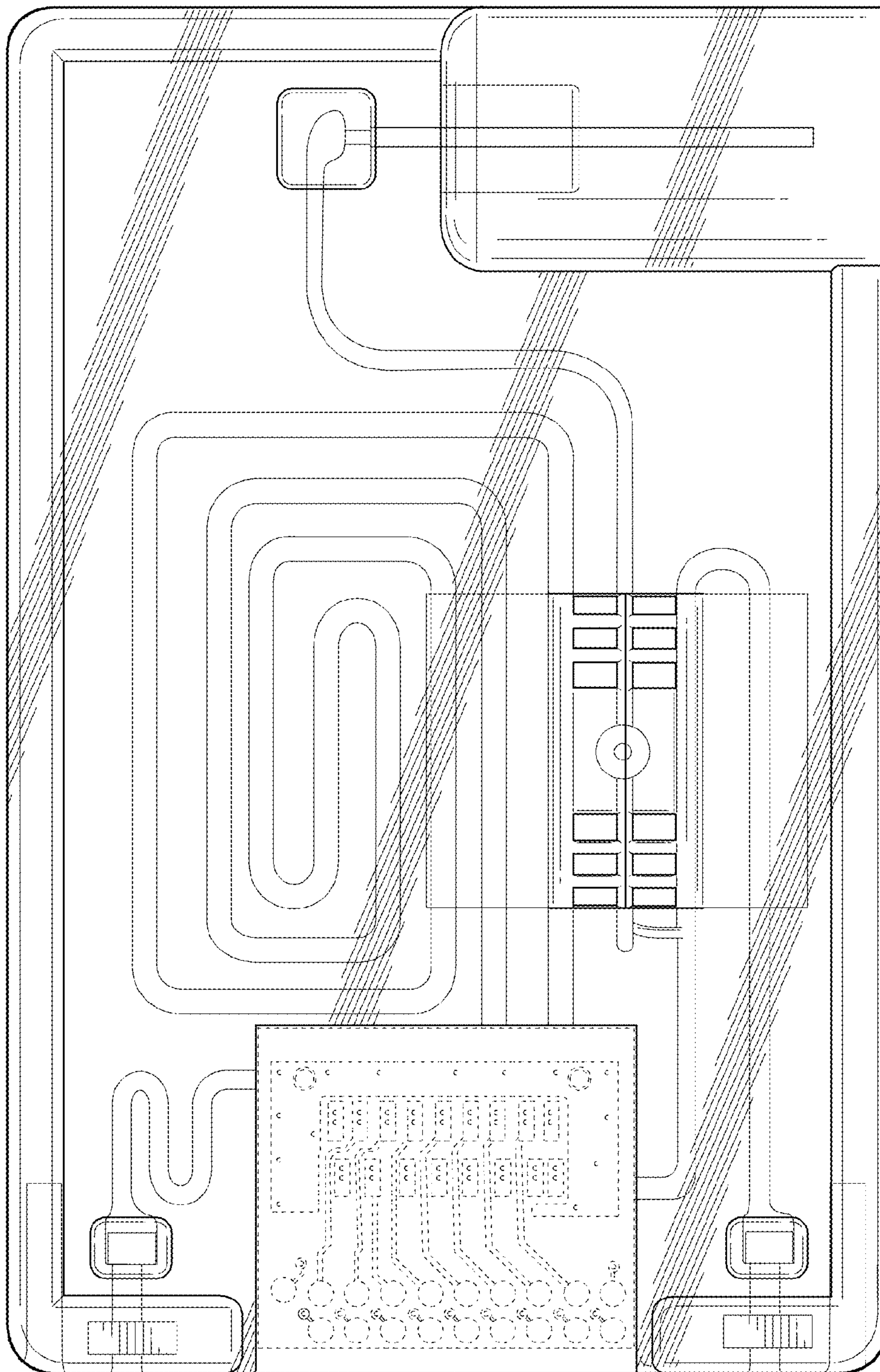


FIG. 2

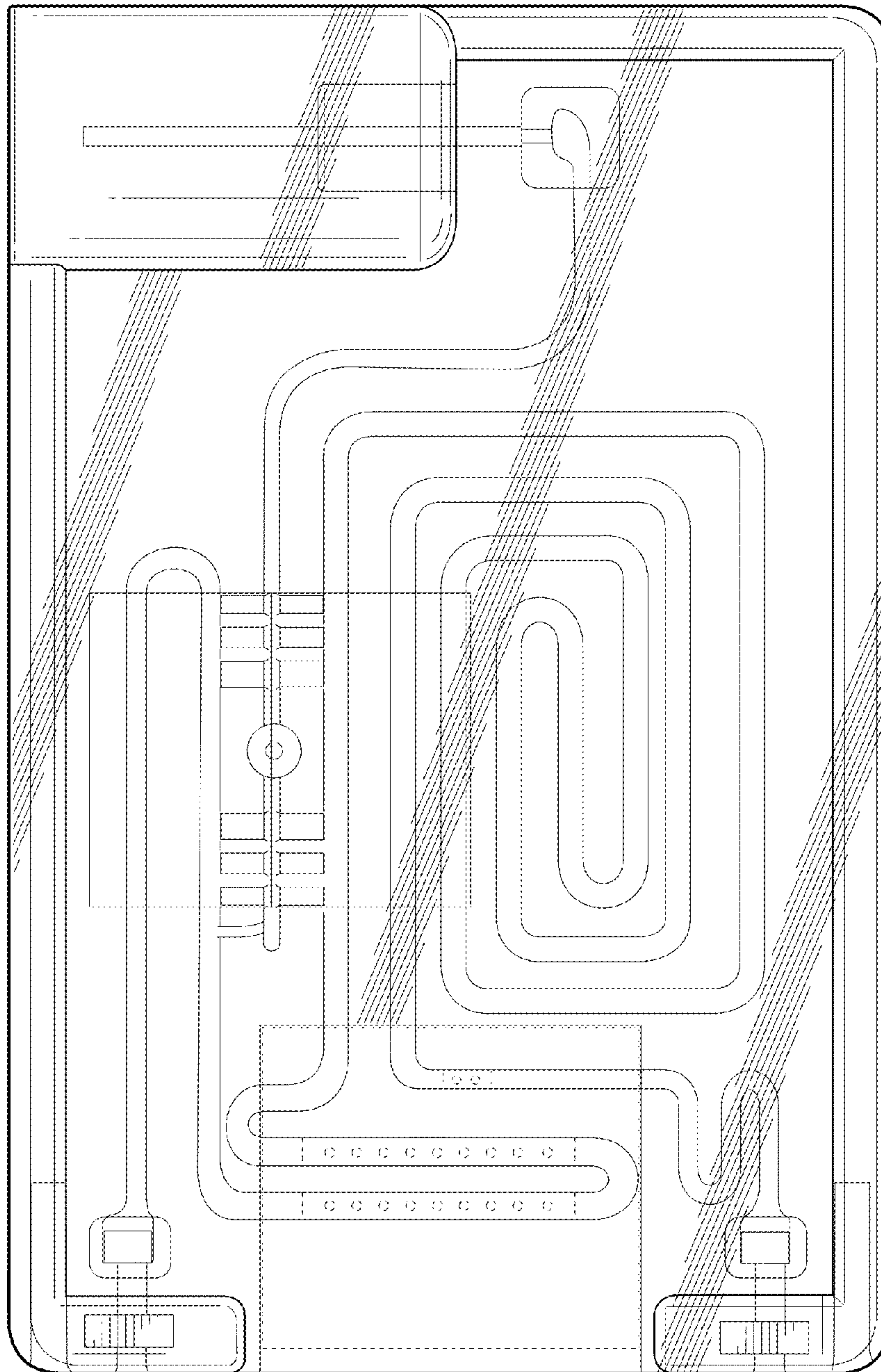


FIG. 3

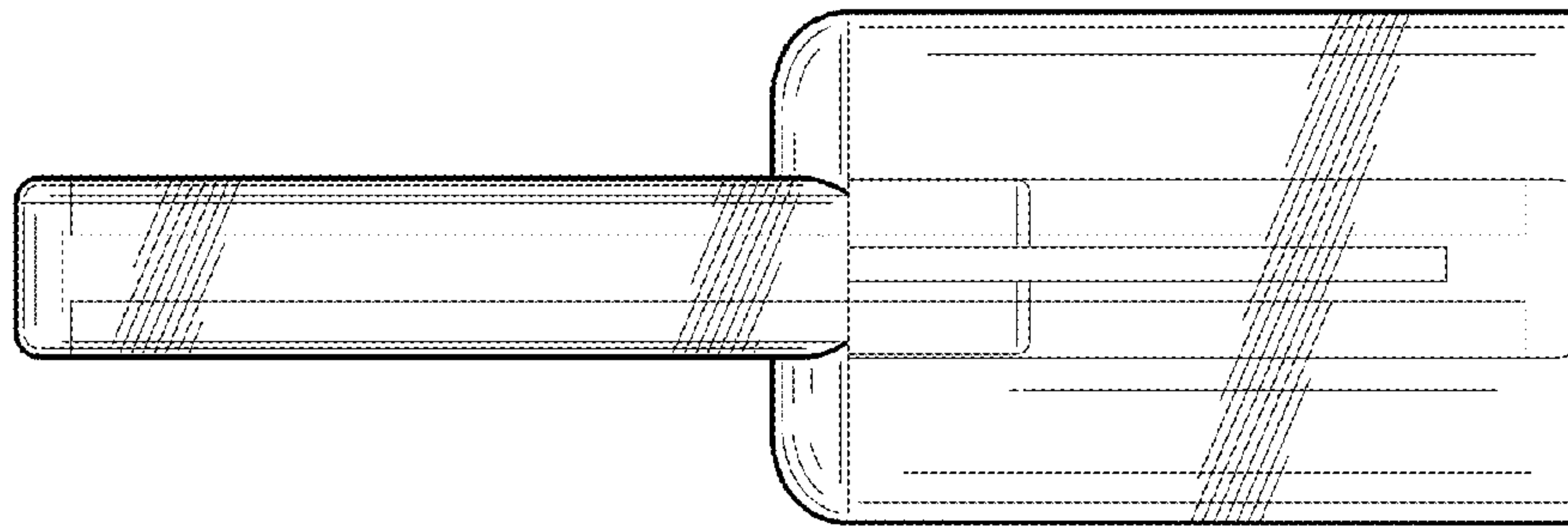


FIG. 4

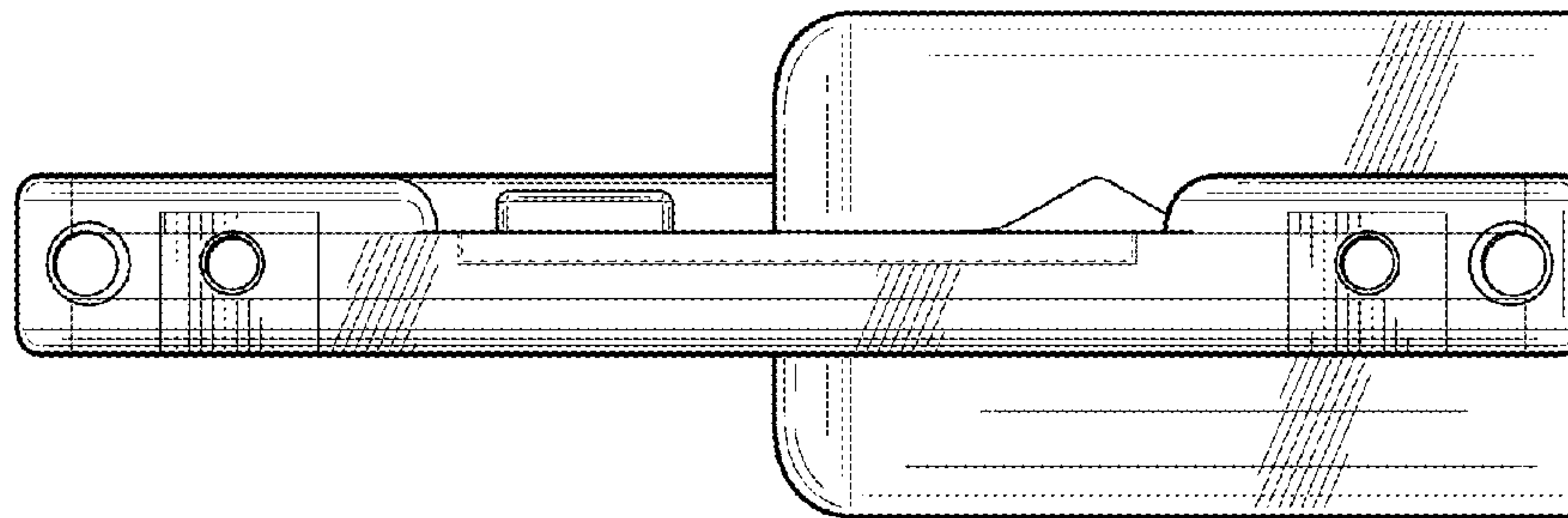


FIG. 5

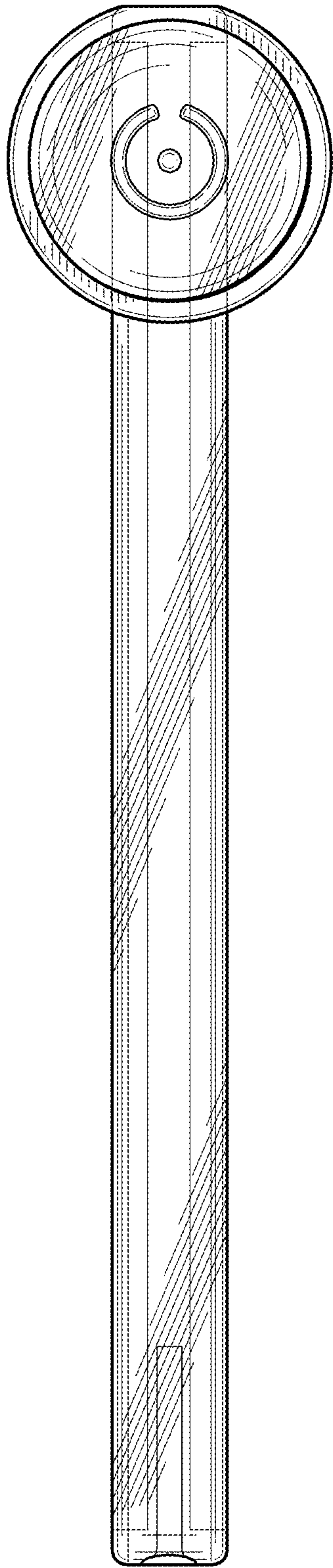


FIG. 6

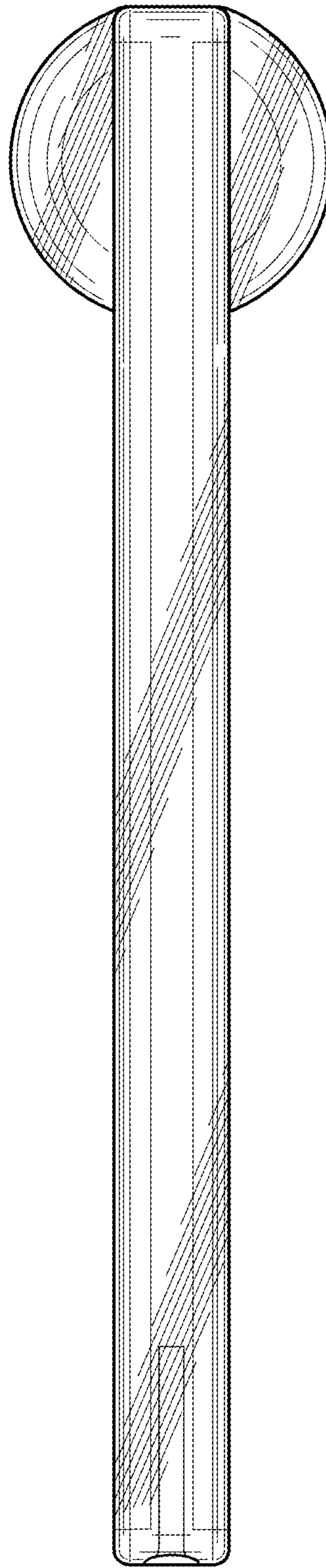


FIG. 7