



US00D706928S

(12) **United States Design Patent**
Harrison et al.

(10) **Patent No.:** **US D706,928 S**
(45) **Date of Patent:** **** Jun. 10, 2014**

(54) **HANDLE FOR SUTURING INSTRUMENT**

(71) Applicant: **Anchor Orthopedics XT Inc.,**
Mississauga (CA)

(72) Inventors: **Robert Harrison, Milton (CA); Steve Copeland, Barrie (CA); Jonathan Liberty, Newmarket (CA); Jeffery Arnett, Gilbert, AZ (US); Dylan Hushka, Gilbert, AZ (US); Neil Godara, Milton (CA)**

(73) Assignee: **Anchor Orthopedics XT Inc.,**
Mississauga, Ontario (CA)

(**) Term: **14 Years**

(21) Appl. No.: **29/447,624**

(22) Filed: **Mar. 5, 2013**

(51) **LOC (10) Cl.** **24-02**

(52) **U.S. Cl.**
USPC **D24/145; D24/133**

(58) **Field of Classification Search**
USPC **D24/133, 145-147; D8/49-51, 68;**
227/175.1, 180.1, 901-902; 606/139,
606/142, 143, 170

See application file for complete search history.

(56) **References Cited**

U.S. PATENT DOCUMENTS

D282,400	S	*	1/1986	Guy et al.	D24/145
D284,219	S	*	6/1986	Green et al.	D24/145
D327,323	S	*	6/1992	Hunt	D24/145
5,306,280	A	*	4/1994	Bregen et al.	606/143
5,601,573	A	*	2/1997	Fogelberg et al.	606/143
RE35,525	E	*	6/1997	Stefanchik et al.	606/142
5,830,221	A	*	11/1998	Stein et al.	606/142
6,036,667	A	*	3/2000	Manna et al.	606/170
D502,994	S	*	3/2005	Blake, III	D24/145
8,246,634	B2	*	8/2012	Huitema et al.	606/142

* cited by examiner

Primary Examiner — Wan Laymon

(74) Attorney, Agent, or Firm — Nir Lifshitz; Glenn Arnold

(57) **CLAIM**

The ornamental design for a handle for a suturing instrument, as shown and described.

DESCRIPTION

FIG. 1 is a top, front, left perspective view of a handle for a suturing instrument, with the trigger in an un-actuated position, showing our new design;

FIG. 2 is a bottom, front, right perspective view of the handle for a suturing instrument of FIG. 1;

FIG. 3 is a left side view of the handle for a suturing instrument of FIG. 1;

FIG. 4 is a right side view of the handle for a suturing instrument of FIG. 1;

FIG. 5 is a top side view of the handle for a suturing instrument of FIG. 1;

FIG. 6 is a bottom side view of the handle for a suturing instrument of FIG. 1;

FIG. 7 is a front side view of the handle for a suturing instrument of FIG. 1;

FIG. 8 is a rear side view of the handle for a suturing instrument of FIG. 1;

FIG. 9 is a top, front, left perspective view of the handle for a suturing instrument of FIG. 1, showing a shaft of the suturing instrument in dashed outline;

FIG. 10 is a top, front, left perspective exploded view of the handle for a suturing instrument;

FIG. 11 is a top, front, left perspective view of the handle for a suturing instrument of FIG. 1, with the trigger in a first actuated position;

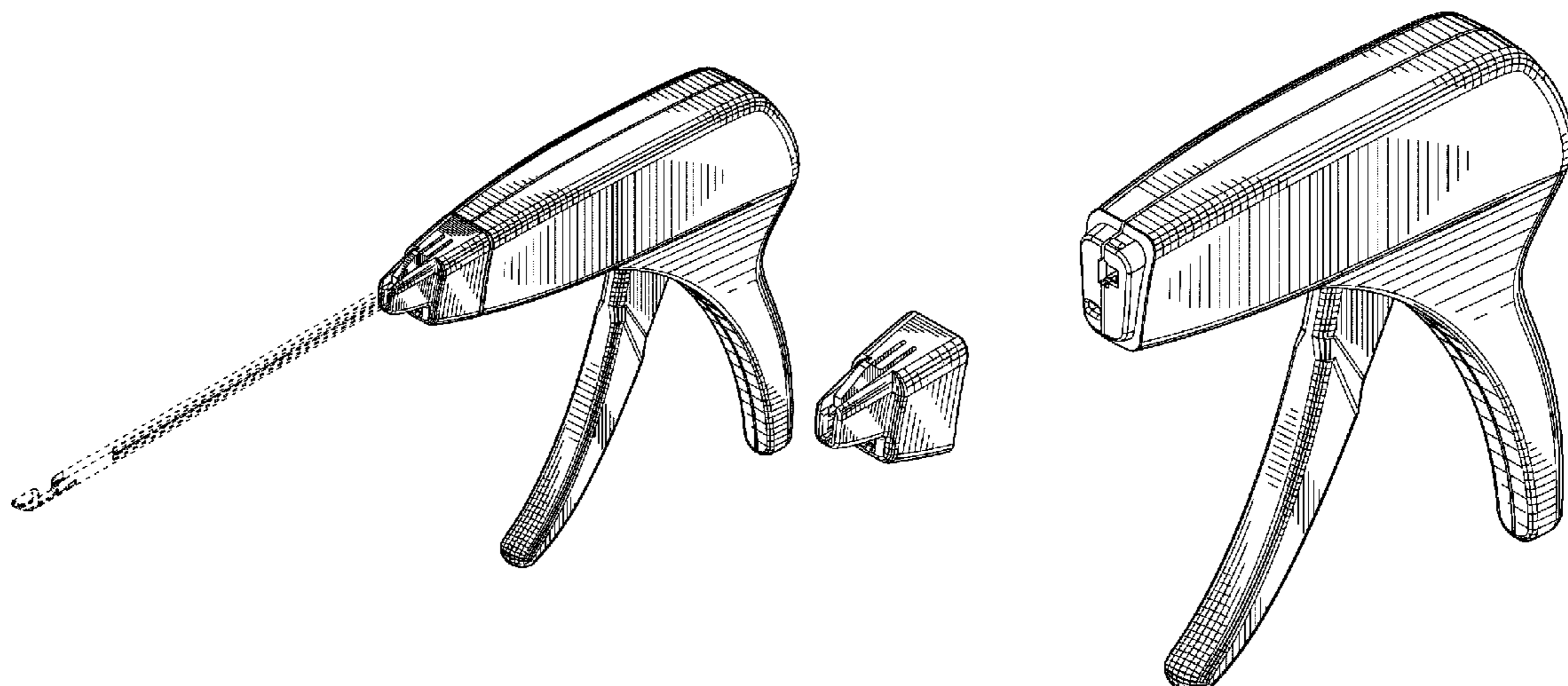
FIG. 12 is a left side view of the handle for a suturing instrument of FIG. 11;

FIG. 13 is a top, front, left perspective view of the handle for a suturing instrument of FIG. 1, with the trigger in a second actuated position; and,

FIG. 14 is a left side view of the handle for a suturing instrument of FIG. 13.

The broken lines shown in the figure drawings are included for illustrating environmental structure and form no part of the claimed design.

1 Claim, 12 Drawing Sheets



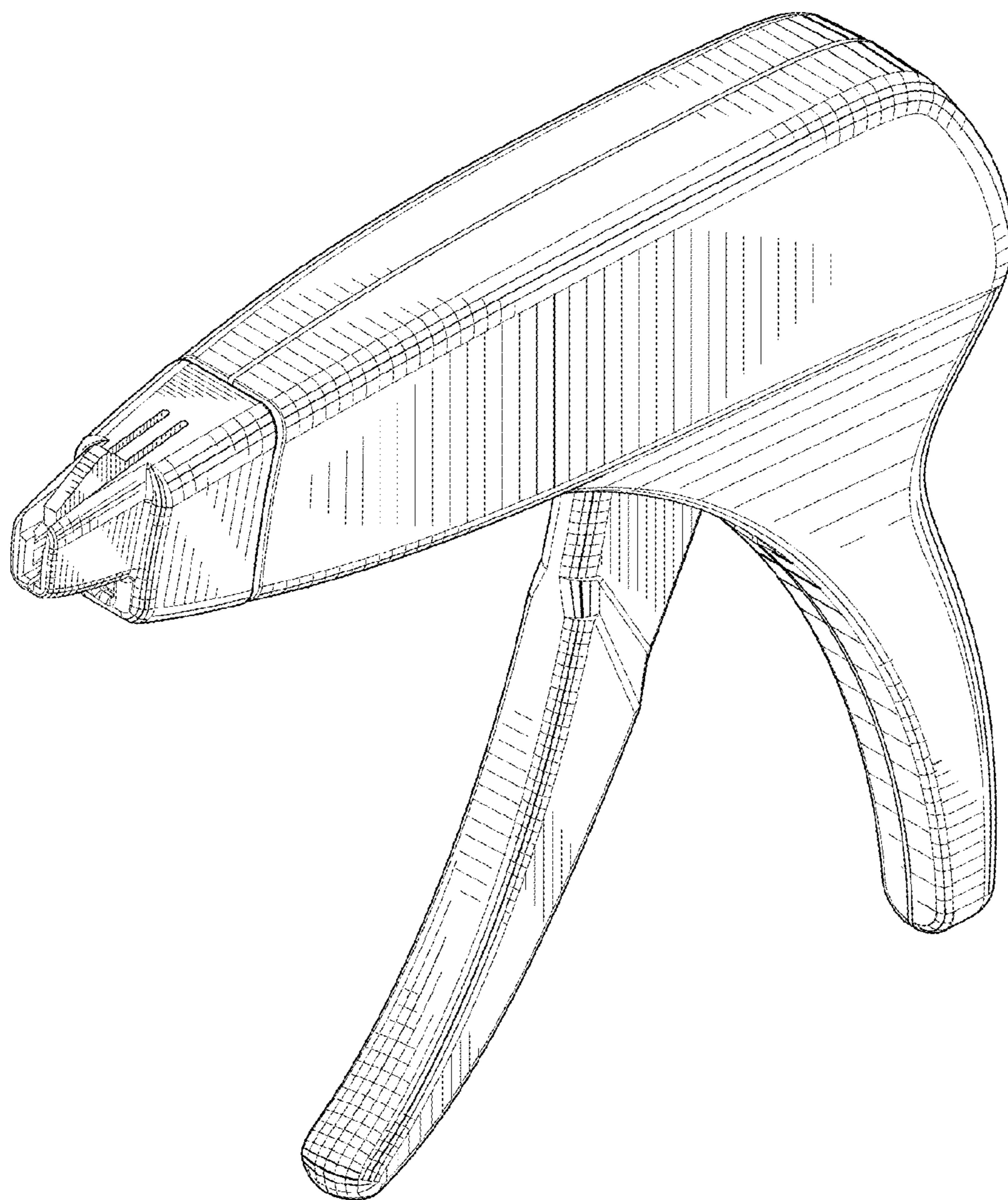


FIG.1

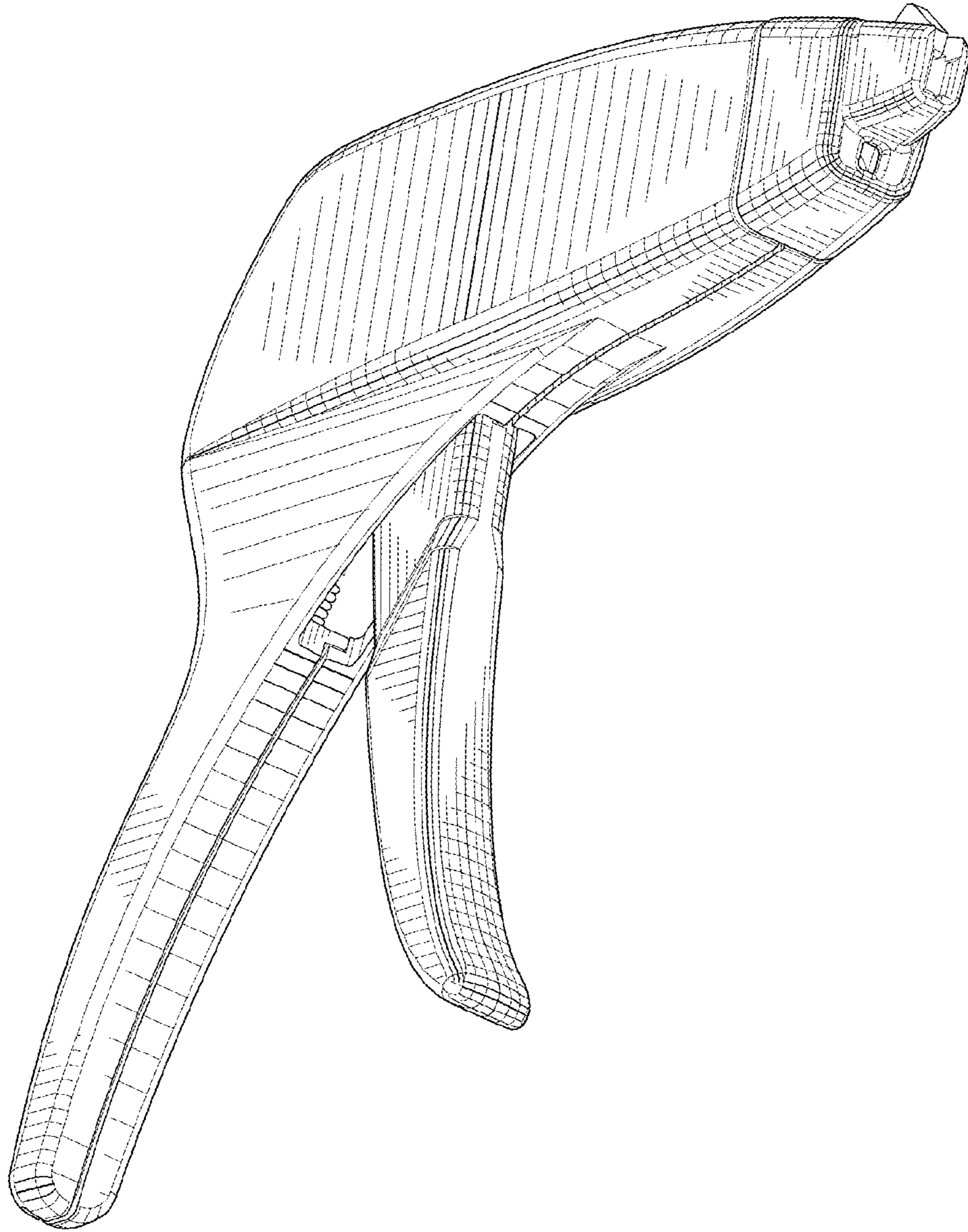


FIG.2

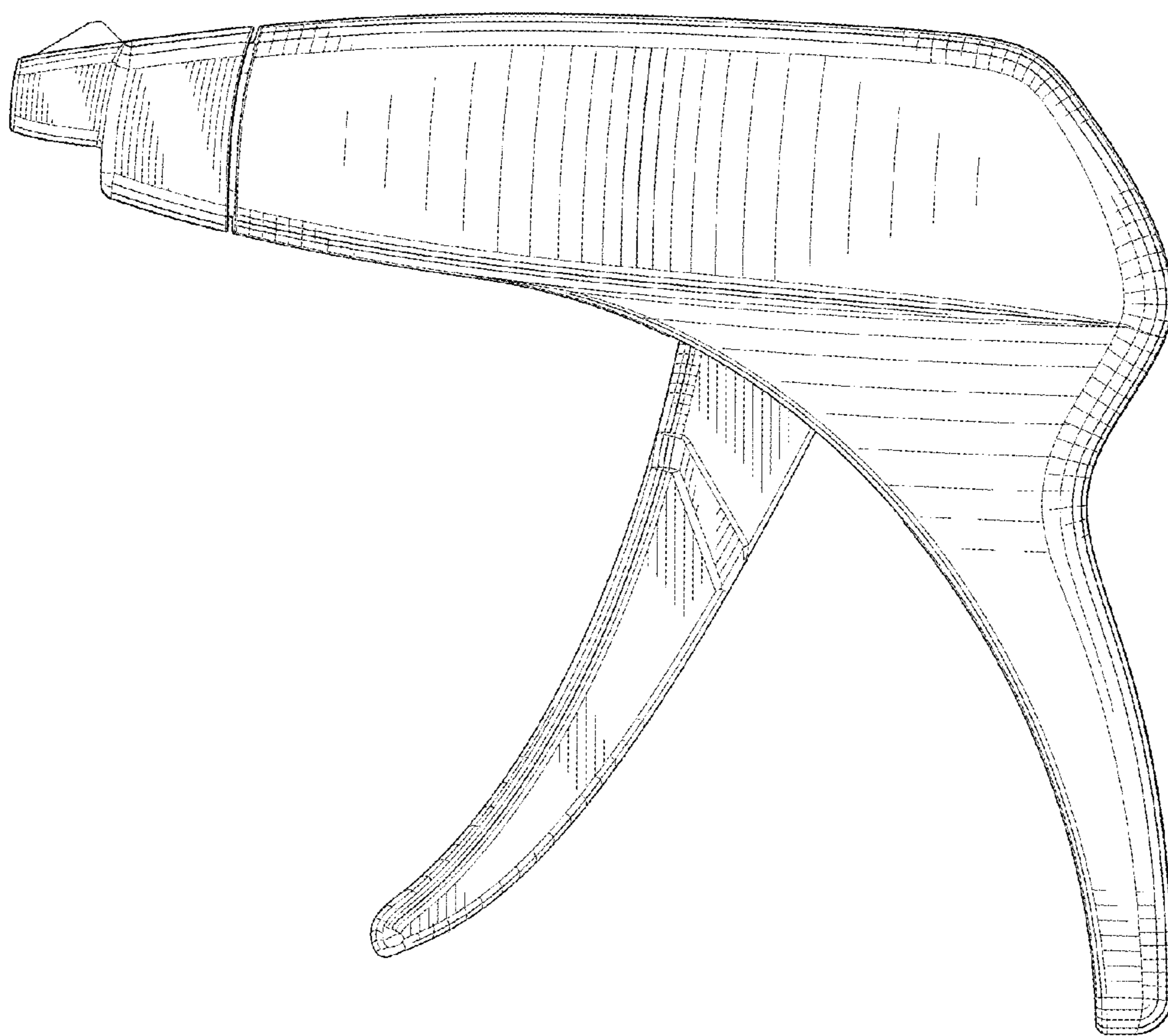


FIG.3

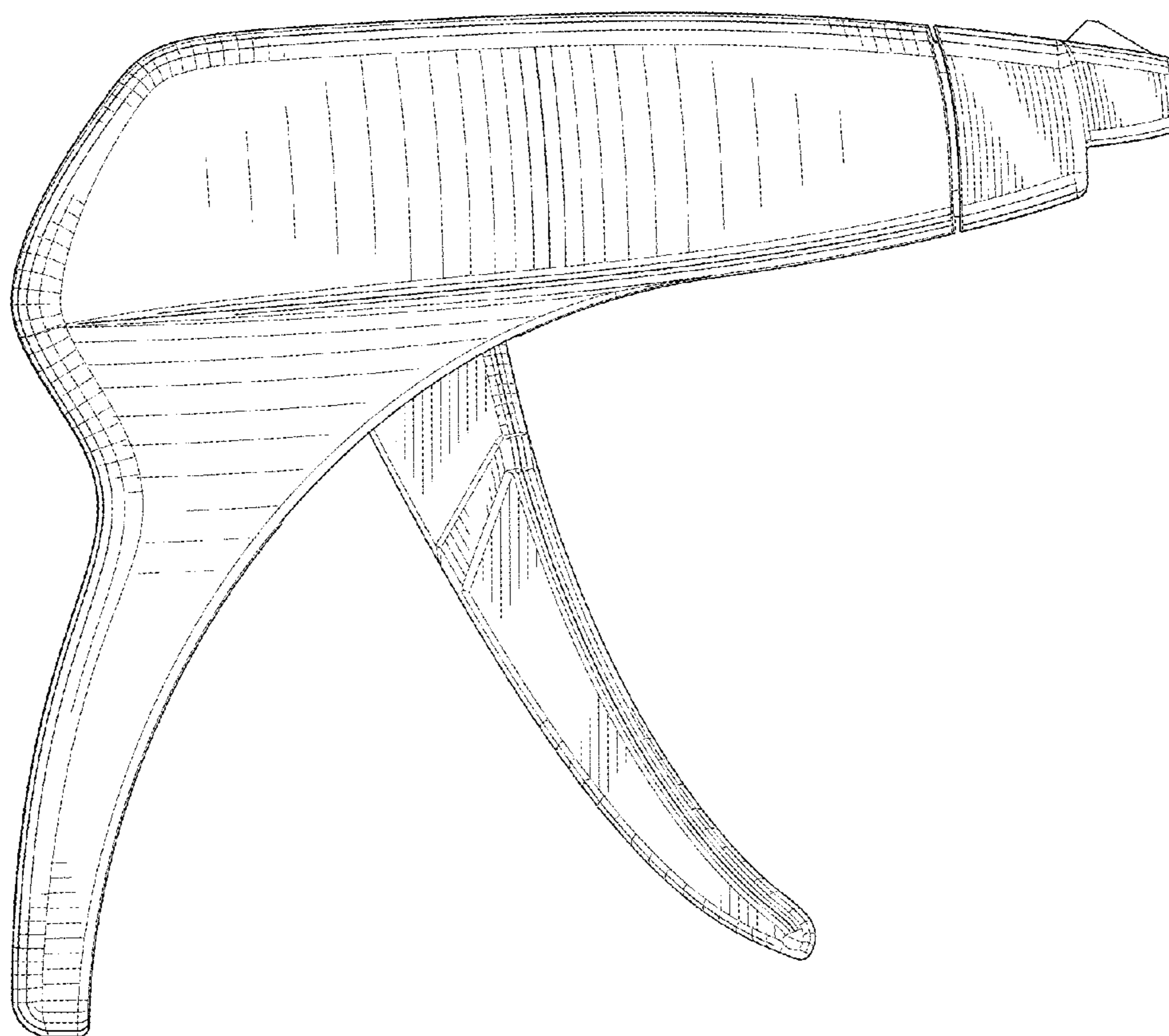


FIG.4

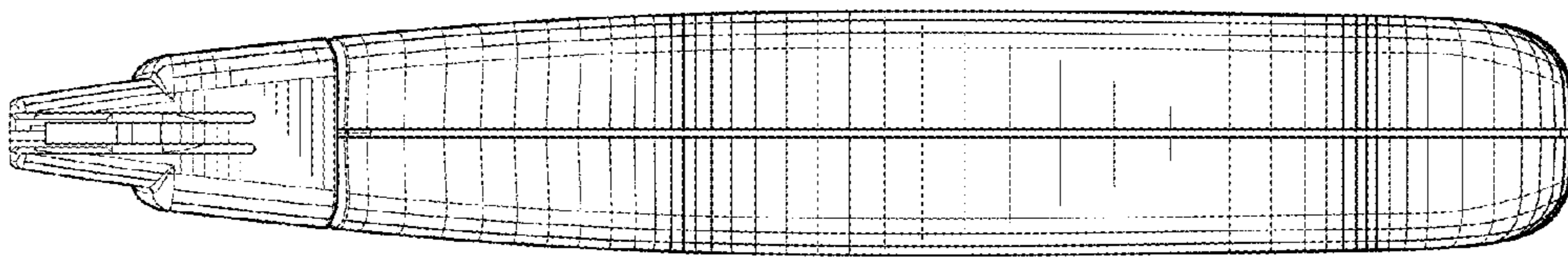


FIG.5

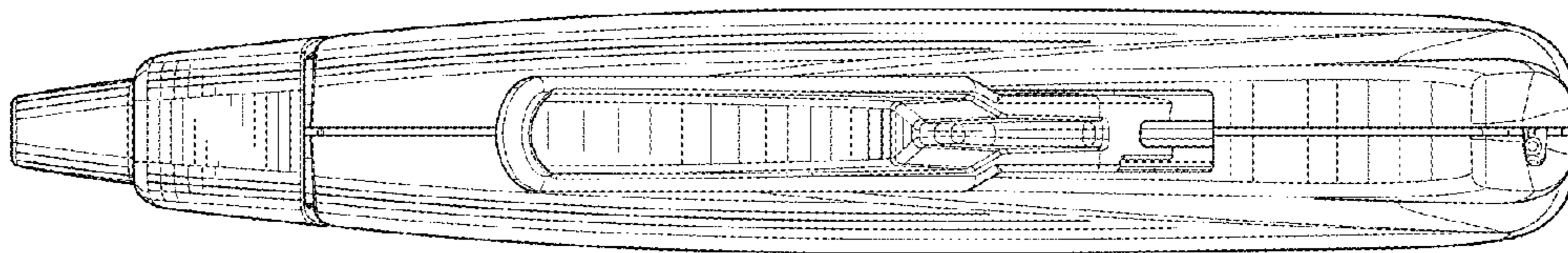


FIG.6

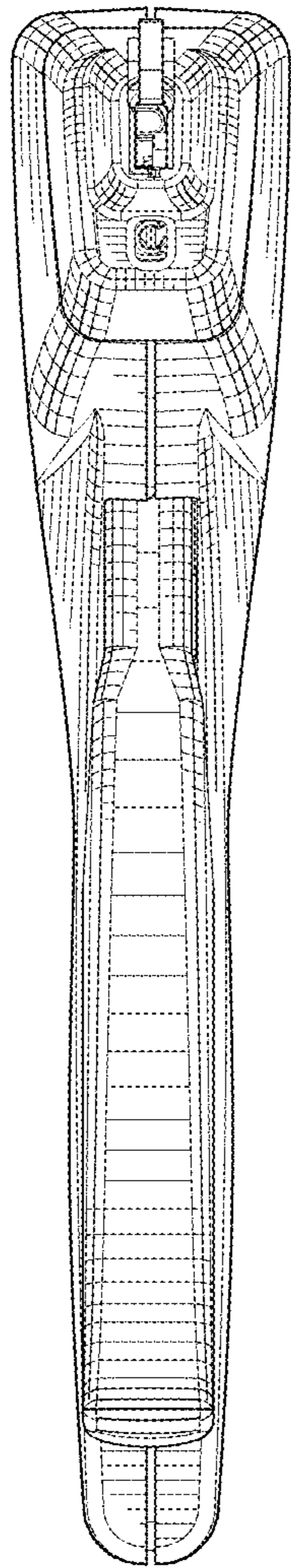


FIG. 7

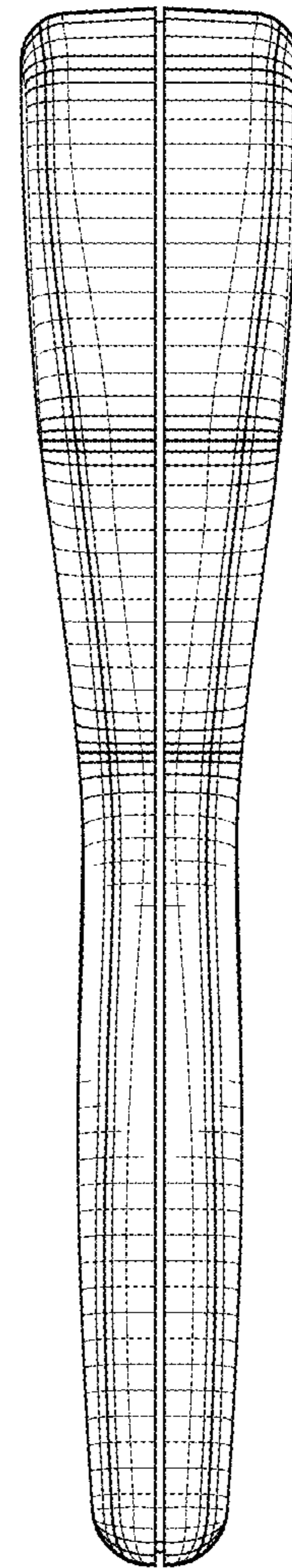


FIG. 8

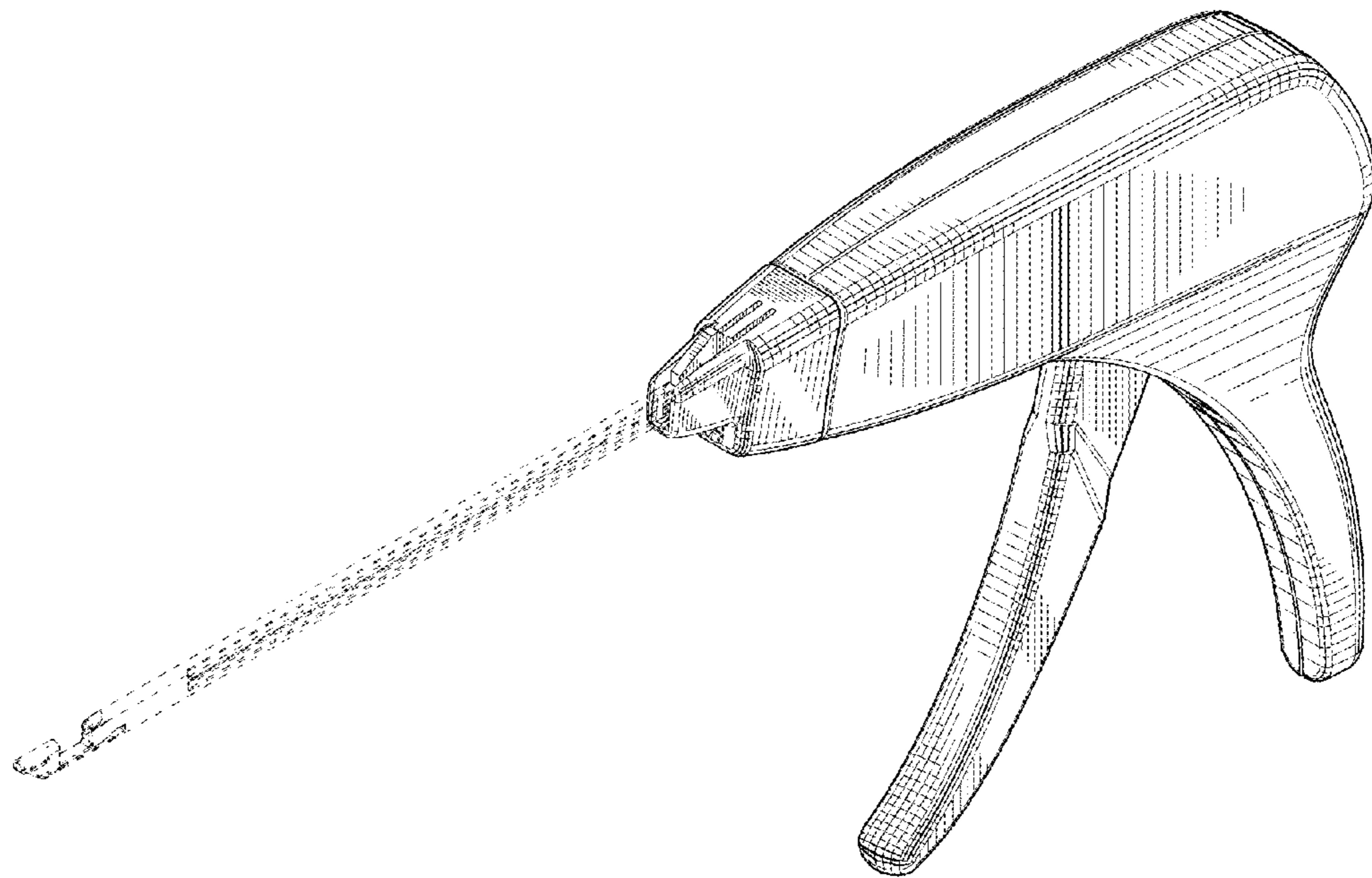
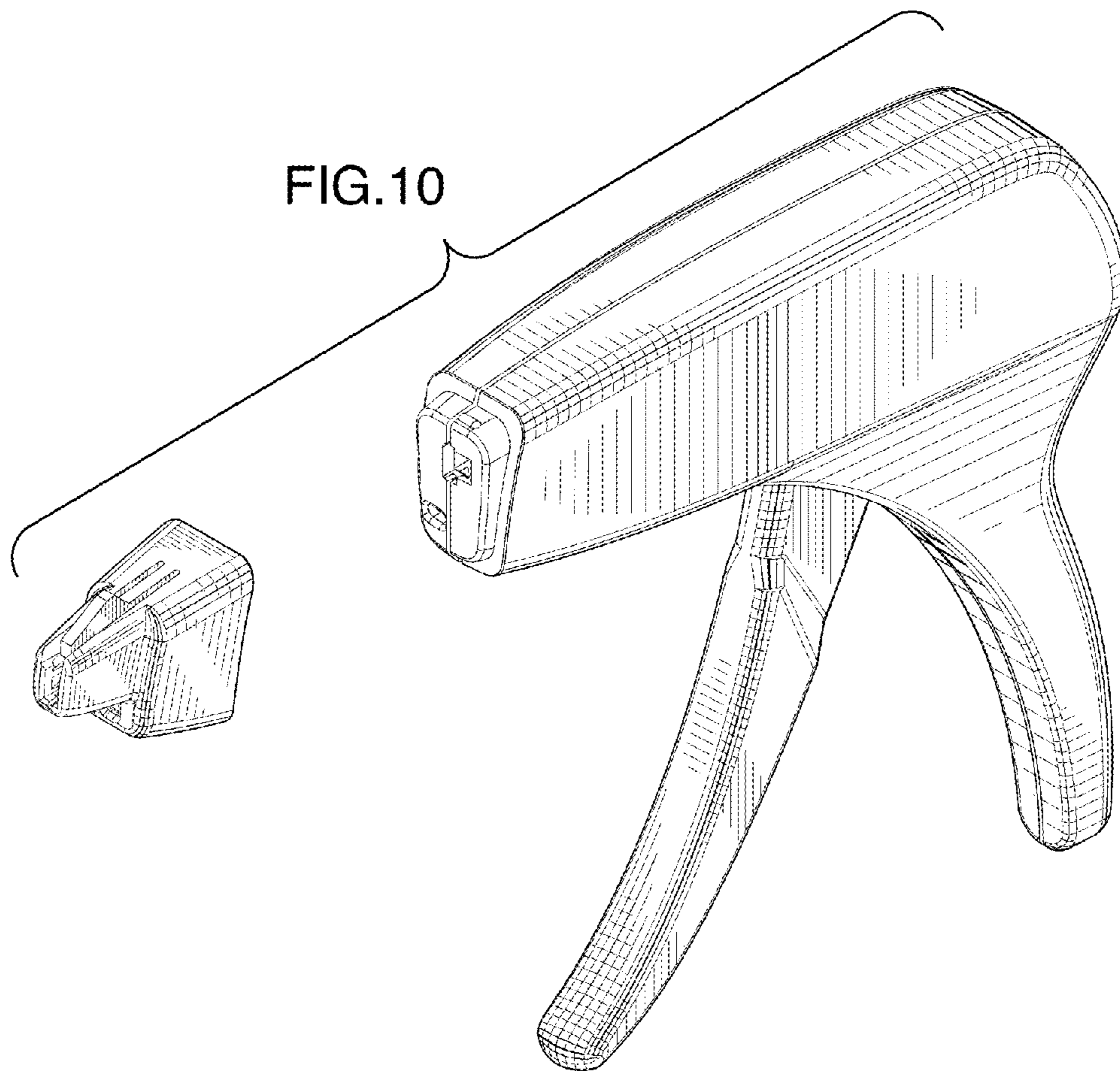


FIG.9



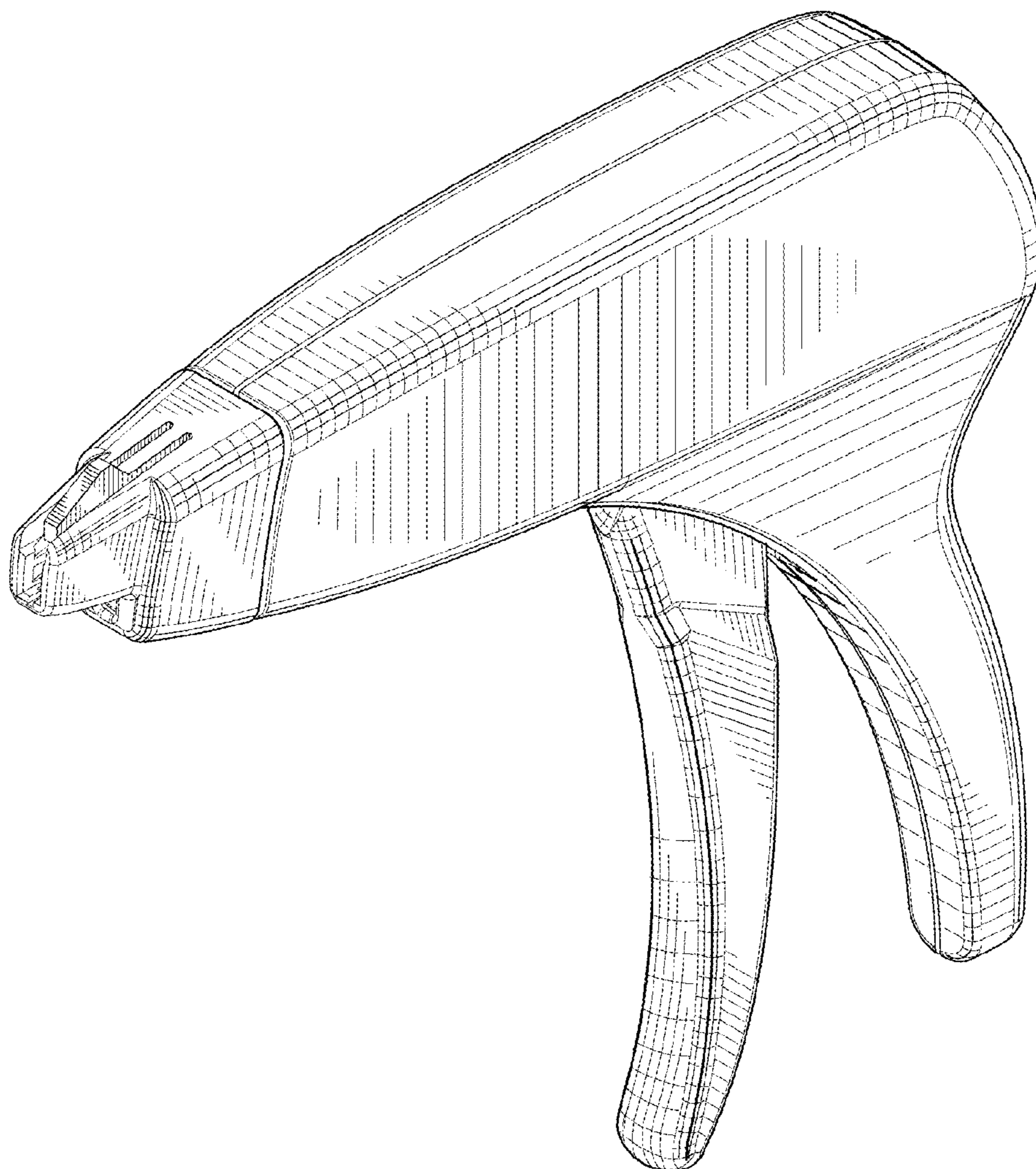


FIG.11

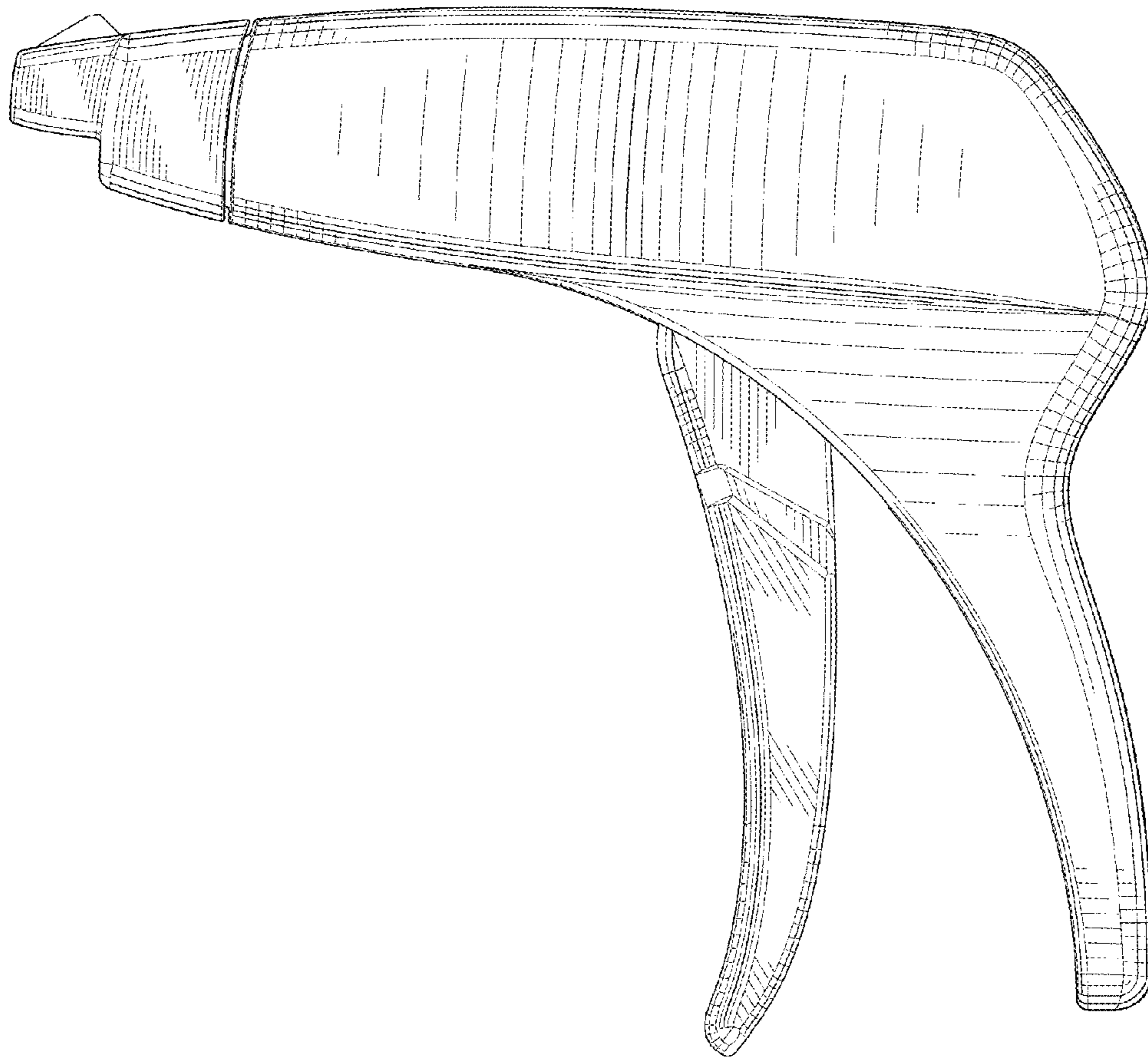


FIG.12

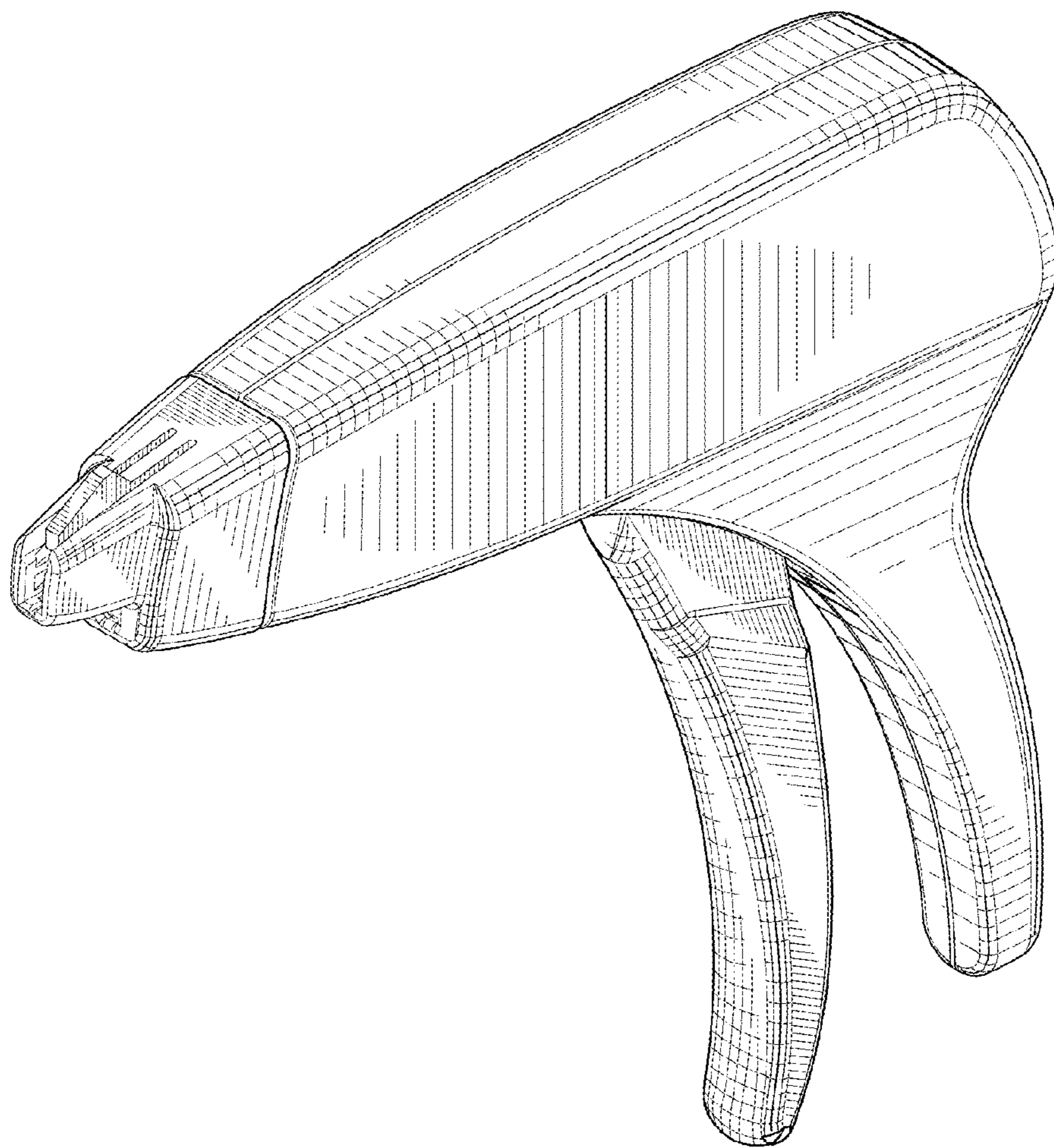


FIG.13

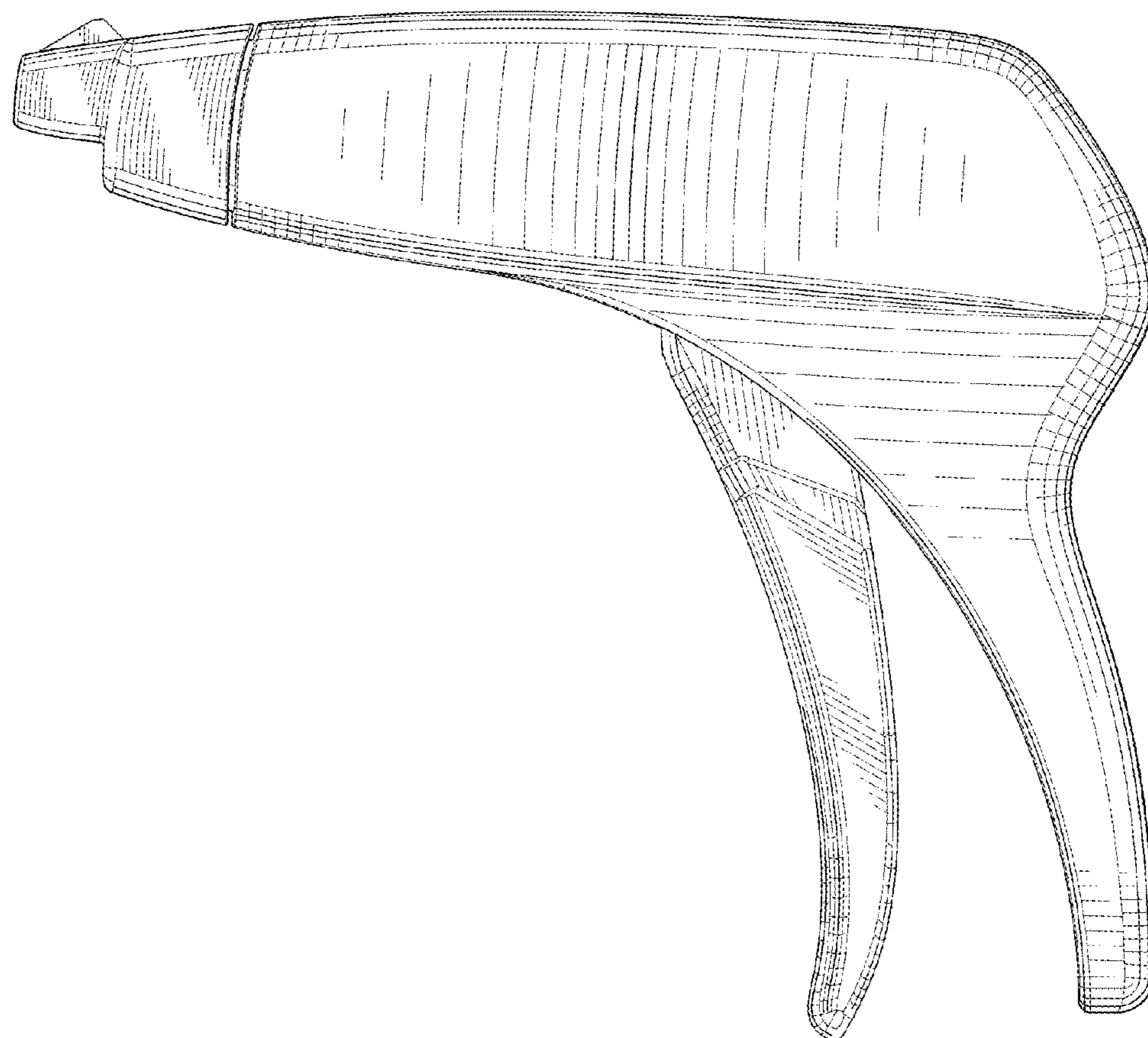


FIG.14