



US00D706921S

(12) **United States Design Patent**  
**Cohen**

(10) **Patent No.:** **US D706,921 S**  
(45) **Date of Patent:** **\*\* Jun. 10, 2014**

- (54) **FAN BLADE IRON**
- (75) Inventor: **Fred Cohen**, Los Angeles, CA (US)
- (73) Assignee: **Air Cool Industrial Co., Ltd.**, Taichung (TW)
- (\*\*) Term: **14 Years**
- (21) Appl. No.: **29/431,996**
- (22) Filed: **Sep. 12, 2012**
- (51) **LOC (10) Cl.** ..... **23-04**
- (52) **U.S. Cl.**  
USPC ..... **D23/411**
- (58) **Field of Classification Search**  
CPC ..... F04D 25/088; F04D 29/34; F04D 29/32;  
F04D 29/322; F04D 29/384; F01D 5/3015;  
F01D 5/323; F01D 5/30; F01D 25/28; F05D  
2250/70; F05D 2240/80; F24F 2221/14;  
B63H 1/20; F21V 21/104; F21V 33/0096  
USPC ..... D23/411-414, 324, 331, 343, 385,  
D23/370-384, 387, 499; D8/300, 301, 319,  
D8/320, 359; 16/265, 382, 388, 389;  
248/188.4, 243, 398, 342; 392/91, 348;  
416/5, 170 R, 214 R, 184, 206, 207,  
416/210 R, 220 R, 244 R, 248; D7/393  
See application file for complete search history.

(56) **References Cited**  
U.S. PATENT DOCUMENTS

D118,506 S *	1/1940	Reinecke et al.	.....	D7/393
D166,806 S *	5/1952	Jones	.....	D8/319
D179,467 S *	1/1957	Aleks	.....	D8/319
D184,664 S *	3/1959	Clayton	.....	D8/319
D339,191 S *	9/1993	Vieyra	.....	D23/377
D352,997 S *	11/1994	DiPasquale	.....	D23/411
D359,351 S *	6/1995	Lee	.....	D23/411
D370,167 S *	5/1996	Edwards	.....	D8/320

D382,955 S *	8/1997	Liu	.....	D23/411
D395,196 S *	6/1998	Bell et al.	.....	D7/393
D395,498 S *	6/1998	Gee, II	.....	D23/411
D453,826 S *	2/2002	Hidalgo	.....	D23/377
D456,892 S *	5/2002	Hsieh	.....	D23/411
D480,797 S *	10/2003	Young	.....	D23/411
D481,455 S *	10/2003	Young	.....	D23/411
D510,767 S *	10/2005	Hidalgo	.....	D23/411
D513,531 S *	1/2006	Hidalgo	.....	D23/411
D518,567 S *	4/2006	Hidalgo	.....	D23/411
D522,133 S *	5/2006	Florez	.....	D23/411
D525,353 S *	7/2006	Hidalgo	.....	D23/377
D526,714 S *	8/2006	Hidalgo	.....	D23/411
D527,093 S *	8/2006	Holmes	.....	D23/411
D532,896 S *	11/2006	Hidalgo	.....	D23/377
D536,088 S *	1/2007	Pickett	.....	D23/411
D548,323 S *	8/2007	Lee et al.	.....	D23/411

(Continued)

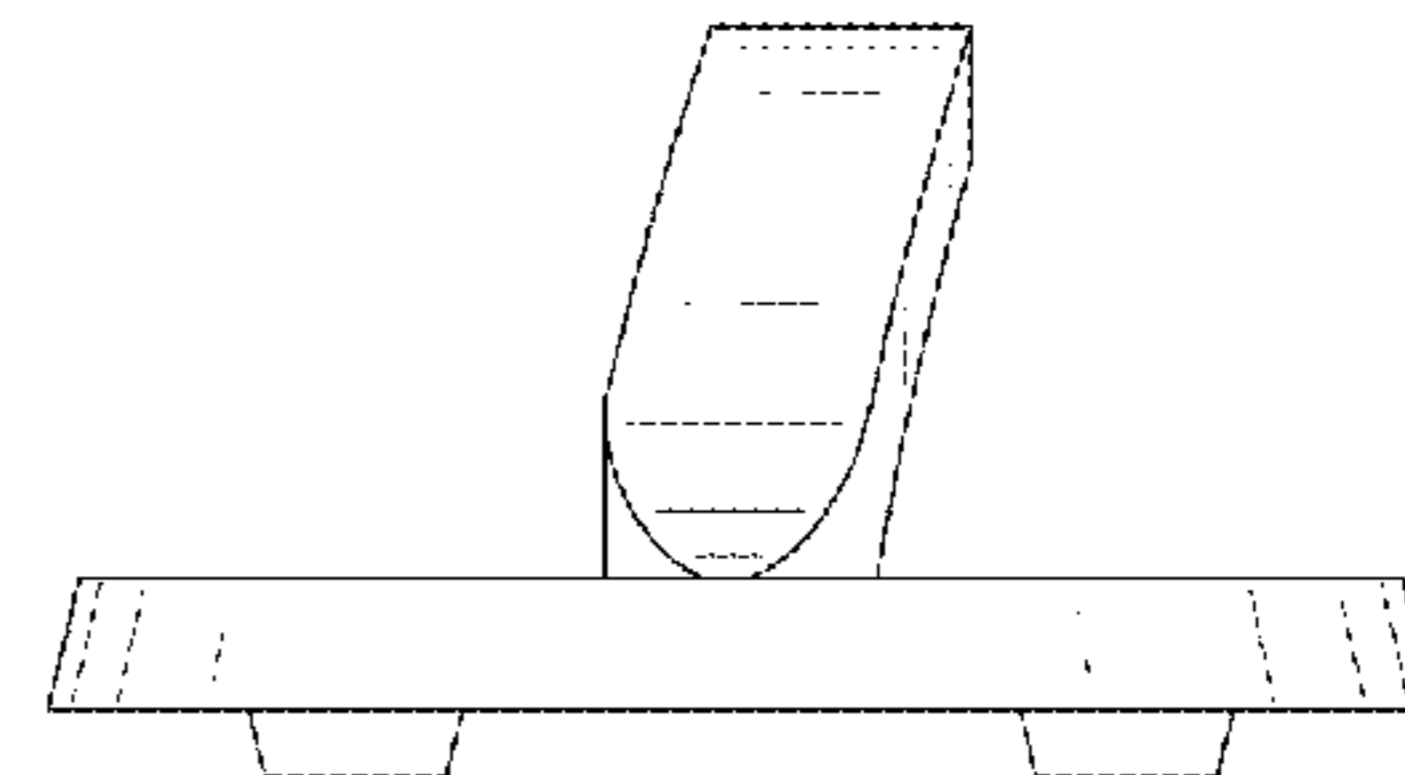
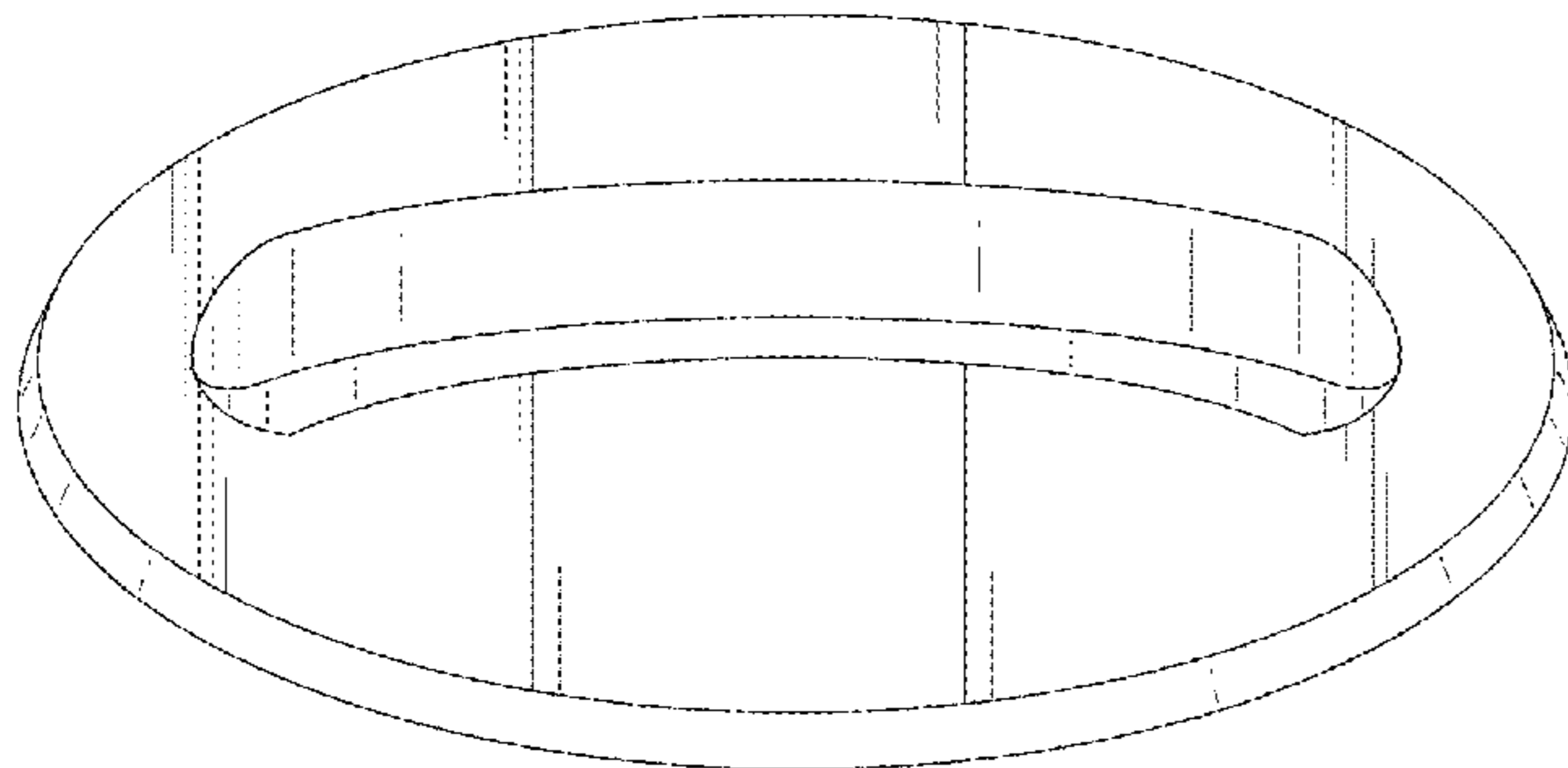
*Primary Examiner* — Susan Bennett Hattan  
*Assistant Examiner* — Marie Fast Horse  
(74) *Attorney, Agent, or Firm* — Ming Chow; Sinorica, LLC

(57) **CLAIM**  
I claim the ornamental design for a fan blade iron, as shown and described.

**DESCRIPTION**

FIG. 1 is a front perspective view of a fan blade iron showing my new design;  
FIG. 2 is a front elevational view thereof;  
FIG. 3 is a rear elevational view thereof.  
FIG. 4 is a left side elevational view thereof;  
FIG. 5 is a right side elevational view thereof;  
FIG. 6 is a top plan view thereof;  
FIG. 7 is a bottom plan view thereof; and,  
FIG. 8 is a front end view of the fan blade iron in accordance with my design, shown in its environment thereof.  
The broken lines are for the purpose of illustrating environmental structure and form no part of the claimed design.

**1 Claim, 5 Drawing Sheets**



(56)

**References Cited**

U.S. PATENT DOCUMENTS

D551,755 S *	9/2007	Shurtleff et al. ....	D23/411	D565,724 S *	4/2008	Hidalgo .....	D23/411
D551,758 S *	9/2007	Shurtleff et al. ....	D23/411	D566,258 S *	4/2008	Bucher et al. ....	D23/377
D553,240 S *	10/2007	Badarello et al. ....	D23/411	7,384,242 B2 *	6/2008	Ming .....	416/21 OR
D556,884 S *	12/2007	Flores et al. ....	D23/377	D572,996 S *	7/2008	Nolte et al. ....	D8/302
D556,886 S *	12/2007	Flores et al. ....	D23/411	D579,316 S *	10/2008	Lee .....	D8/331
				D583,923 S *	12/2008	Bucher et al. ....	D23/377
				D597,655 S *	8/2009	Hidalgo .....	D23/411
				2014/0044548 A1 *	2/2014	Wang, Cliff .....	416/214 R

\* cited by examiner

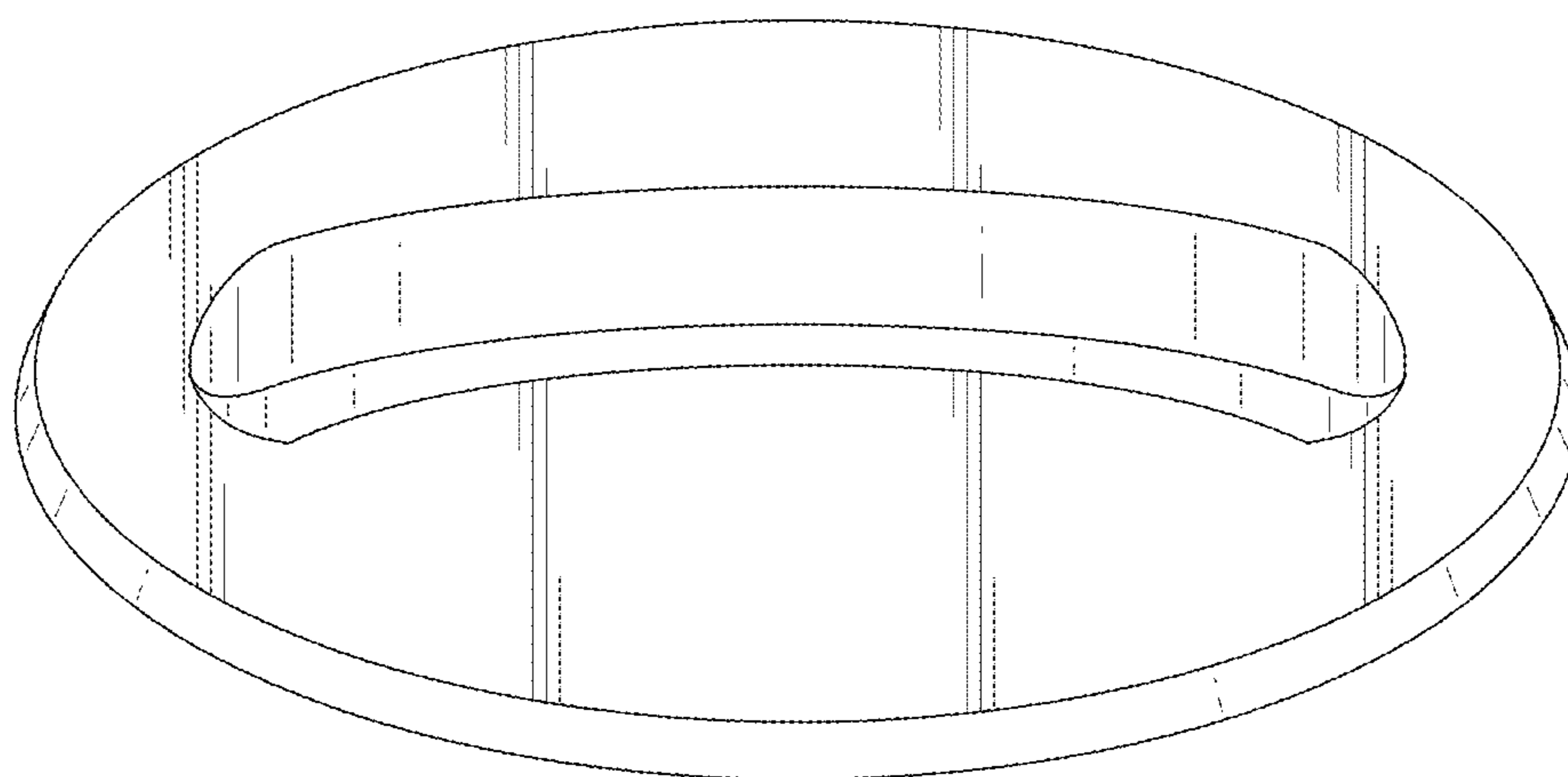


FIG. 1

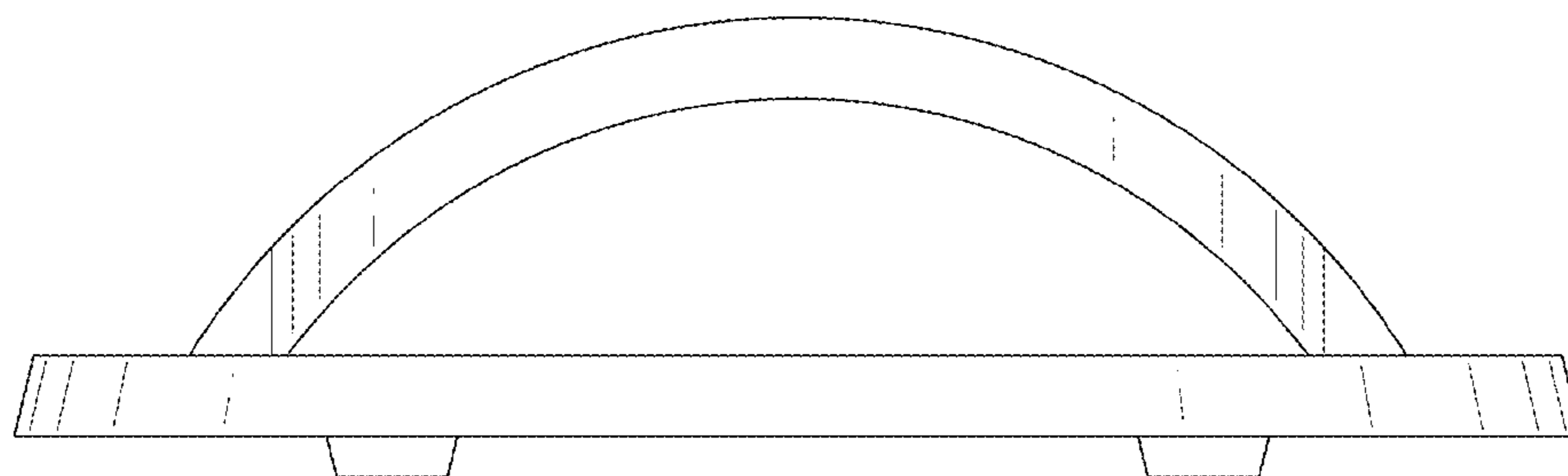


FIG. 2

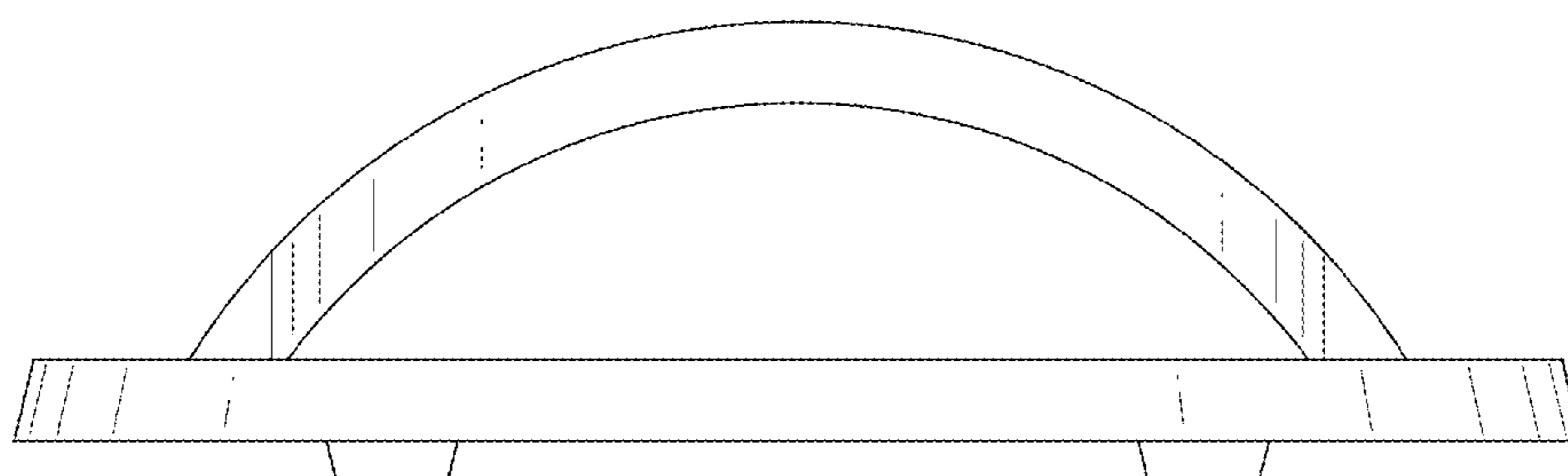


FIG. 3

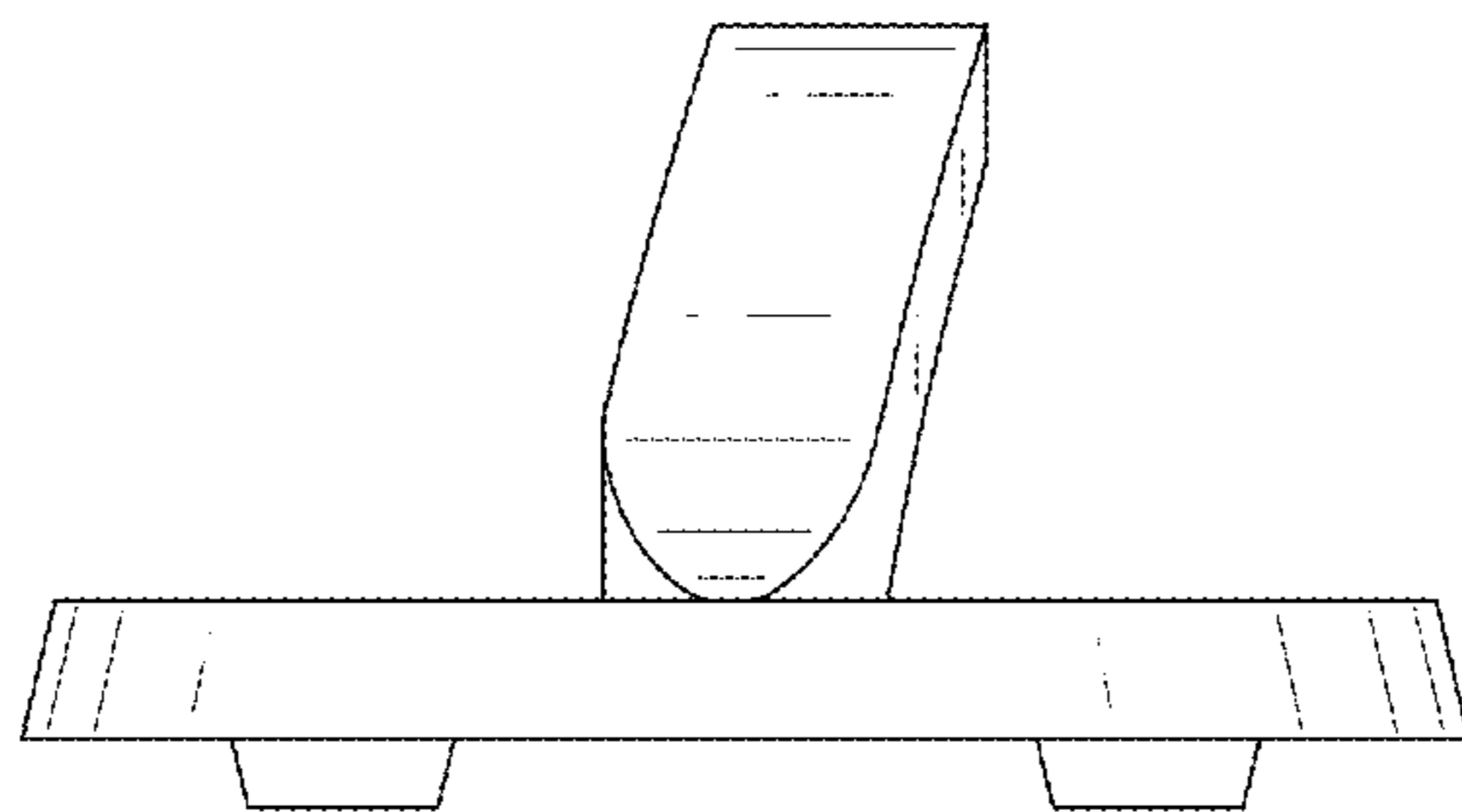


FIG. 4

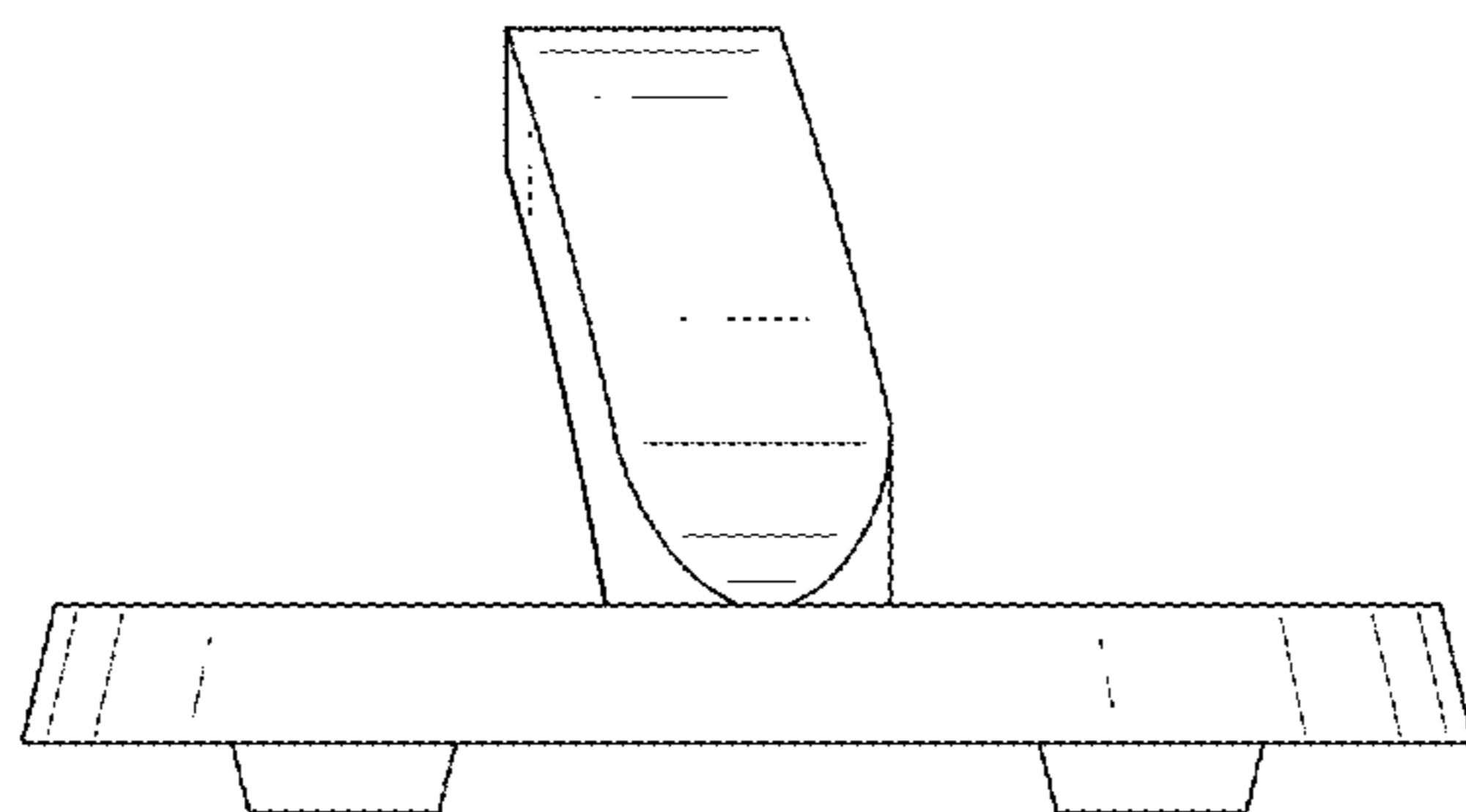


FIG. 5

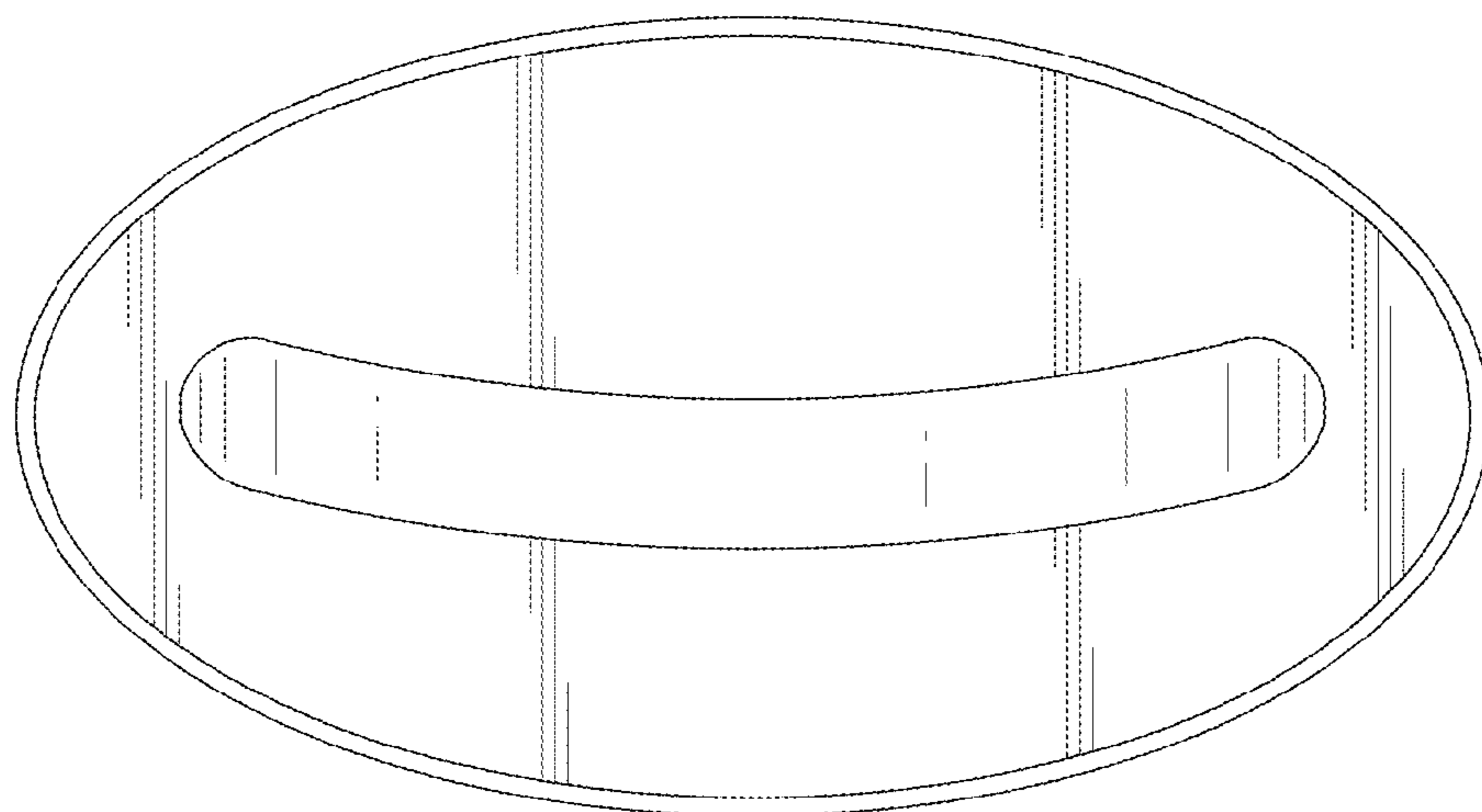


FIG. 6

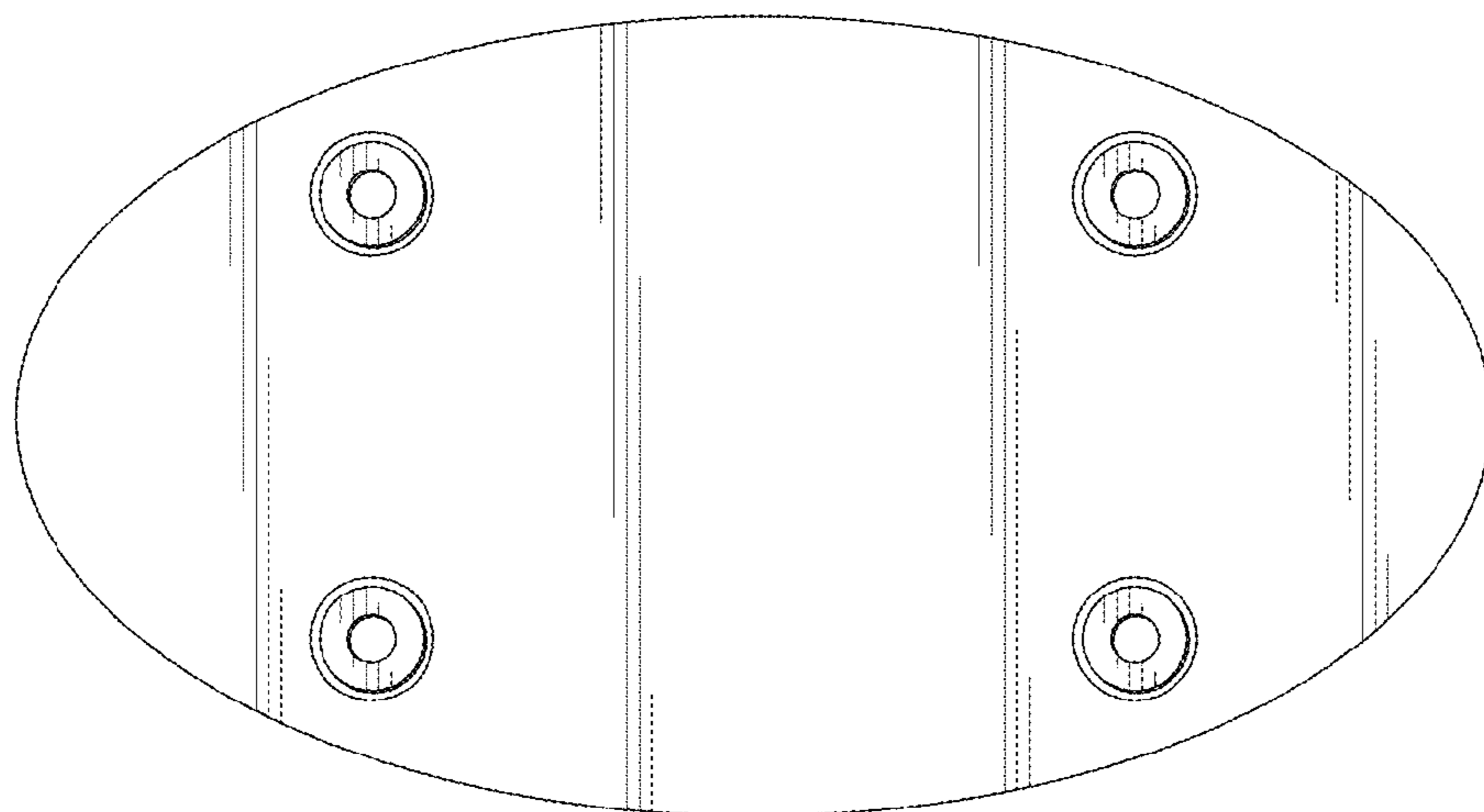


FIG. 7



FIG. 8