



US00D706920S

(12) **United States Design Patent**  
**Cohen**

(10) **Patent No.:** **US D706,920 S**  
(45) **Date of Patent:** **\*\* Jun. 10, 2014**

(54) **CEILING FAN MOTOR HOUSING**  
(75) Inventor: **Fred Cohen**, Los Angeles, CA (US)  
(73) Assignee: **Air Cool Industrial Co., Ltd.**, Taichung (TW)  
(\*\*) Term: **14 Years**  
(21) Appl. No.: **29/431,990**  
(22) Filed: **Sep. 12, 2012**  
(51) **LOC (10) Cl.** ..... **23-04**  
(52) **U.S. Cl.**  
USPC ..... **D23/411**  
(58) **Field of Classification Search**  
USPC ..... D23/385, 370–384, 411–414, 386–394,  
D23/499; D26/51, 59, 72, 73, 80–86, 88,  
D26/90, 377; 165/244; 362/96, 294; 416/5,  
416/170 R, 214 R, 184; 417/423.1;  
392/361–364  
See application file for complete search history.

(56) **References Cited**

**U.S. PATENT DOCUMENTS**

D50,178 S *	1/1917	Bayley	.....	D26/88
1,607,413 A *	11/1926	Tillson	.....	362/347
D94,686 S *	2/1935	Guild et al.	.....	D26/88
D202,084 S *	8/1965	Storch	.....	D23/360
D216,973 S *	3/1970	Katzman	.....	D23/356
D279,216 S *	6/1985	Mango et al.	.....	D23/362
5,174,648 A *	12/1992	Clary et al.	.....	362/228
D399,333 S *	10/1998	Greene et al.	.....	D26/88
D408,468 S *	4/1999	Saka	.....	D21/451
D483,847 S *	12/2003	Tai	.....	D23/377
D483,848 S *	12/2003	Tai	.....	D23/377
D484,588 S *	12/2003	Tai	.....	D23/377
D510,452 S *	10/2005	Porter	.....	D26/80
D523,138 S *	6/2006	Burns	.....	D23/411

D532,902 S *	11/2006	Pan	.....	D23/411
D543,975 S *	6/2007	McCown	.....	D14/230
D547,433 S *	7/2007	Wang	.....	D23/411
D561,932 S *	2/2008	Summerford et al.	.....	D26/128
D562,967 S *	2/2008	Pickett	.....	D23/411
D571,452 S *	6/2008	Ertze	.....	D23/411
D575,900 S *	8/2008	Summerford et al.	.....	D26/128
D614,759 S *	4/2010	Shurtleff	.....	D23/411
D617,485 S *	6/2010	Hamilton et al.	.....	D26/67
D627,052 S *	11/2010	Pan	.....	D23/411
D627,455 S *	11/2010	Pan	.....	D23/411
D627,871 S *	11/2010	Shurtleff	.....	D23/411
D648,843 S *	11/2011	Chen	.....	D23/411
D650,056 S *	12/2011	Li	.....	D23/366
D656,265 S *	3/2012	Sabernig	.....	D26/88
D689,236 S *	9/2013	Wang	.....	D26/89
2011/0044050 A1 *	2/2011	Chiu	.....	362/294

\* cited by examiner

*Primary Examiner* — Susan Bennett Hattan

*Assistant Examiner* — Marie Fast Horse

(74) *Attorney, Agent, or Firm* — Ming Chow; Sinorica, LLC

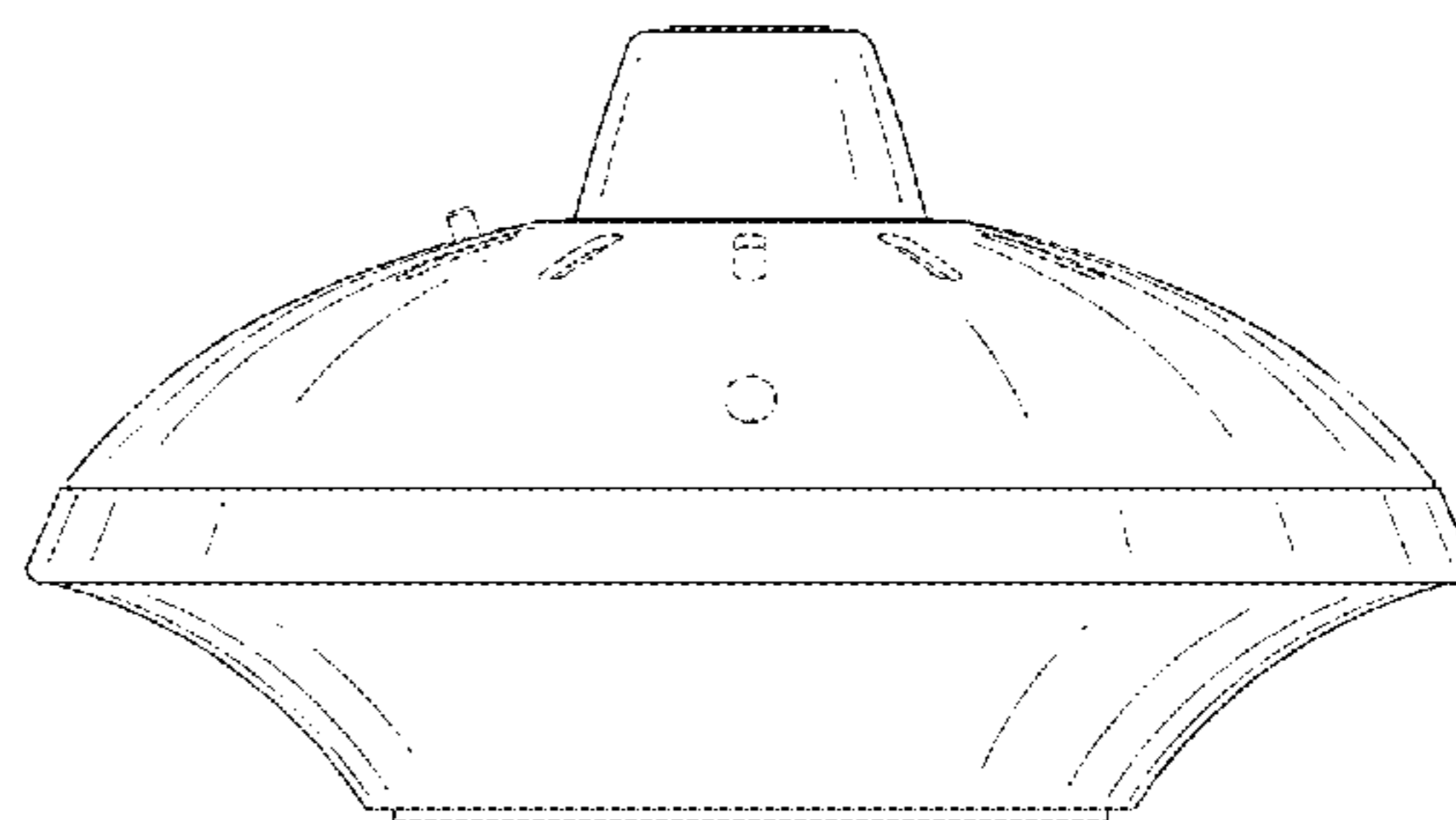
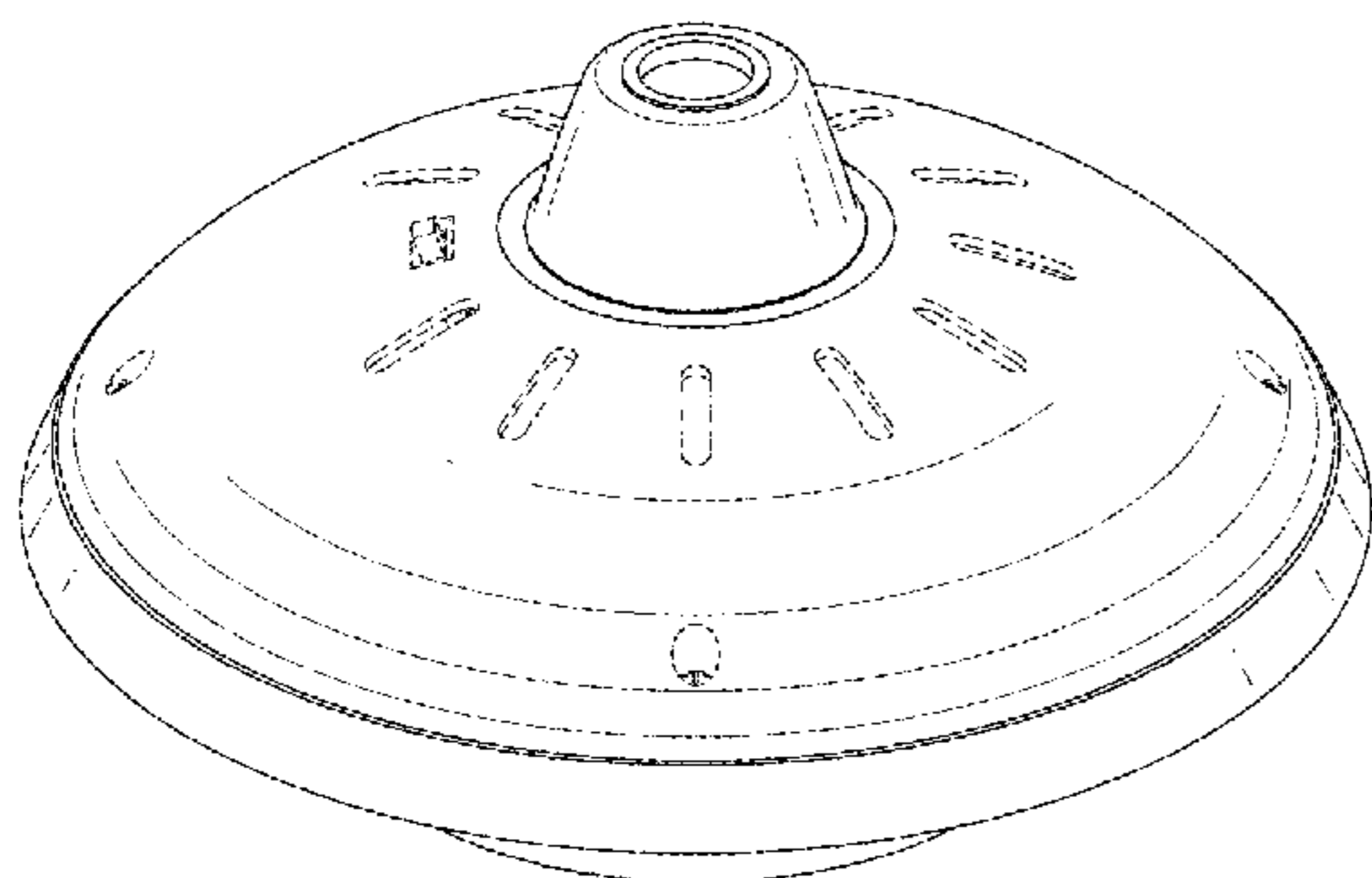
(57) **CLAIM**

I claim the ornamental design for a ceiling fan motor housing, as shown and described.

**DESCRIPTION**

FIG. 1 is a front perspective view of a ceiling fan motor housing showing my new design; FIG. 2 is a front elevational view thereof; FIG. 3 is a rear elevational view thereof; FIG. 4 is a left side elevational view thereof; FIG. 5 is a right side elevational view thereof; FIG. 6 is a top plan view thereof; and, FIG. 7 is a bottom plan view thereof. The broken lines in the drawings depict environmental subject matter only and form no part of the claimed design.

**1 Claim, 5 Drawing Sheets**



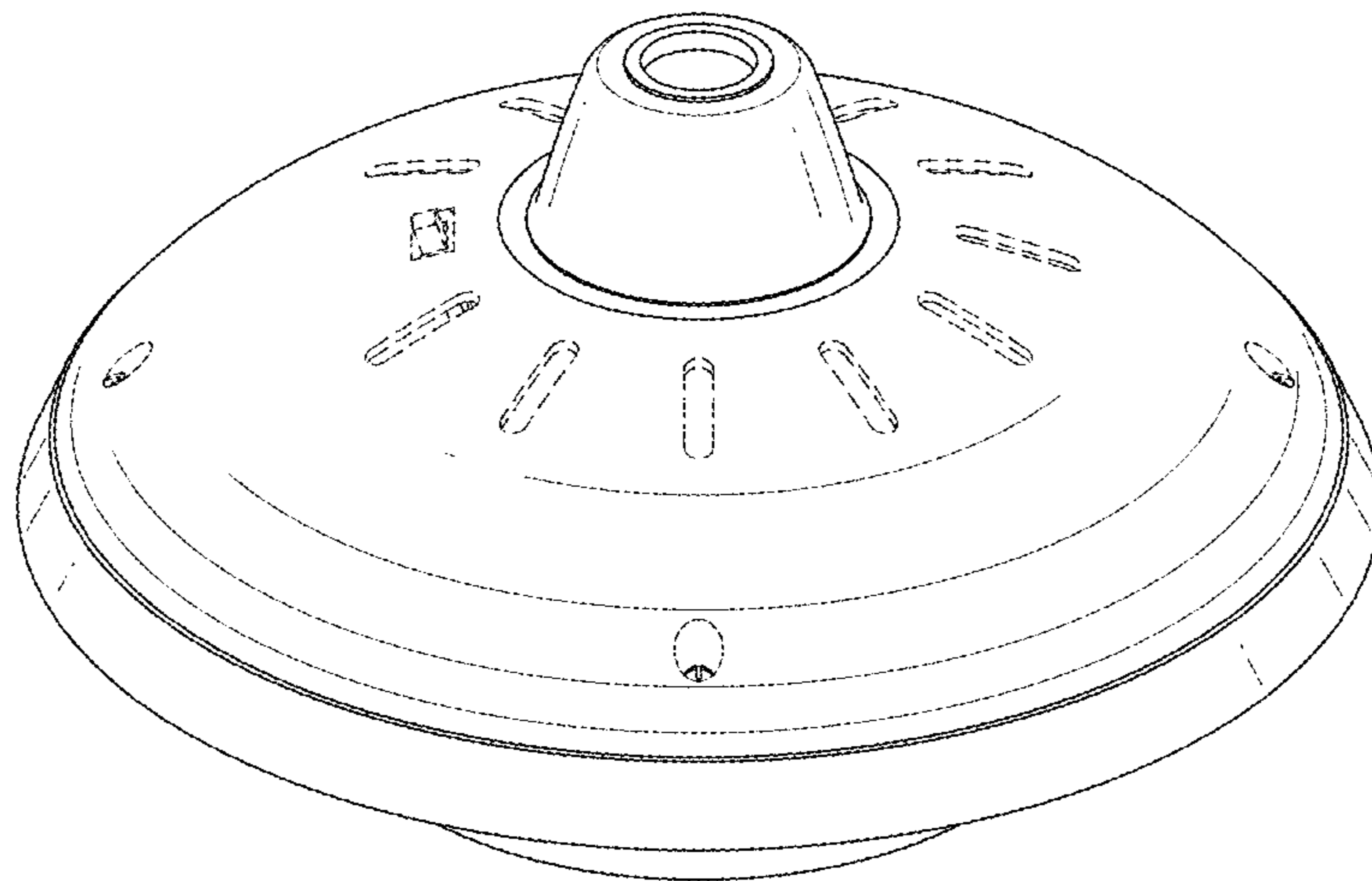


FIG. 1

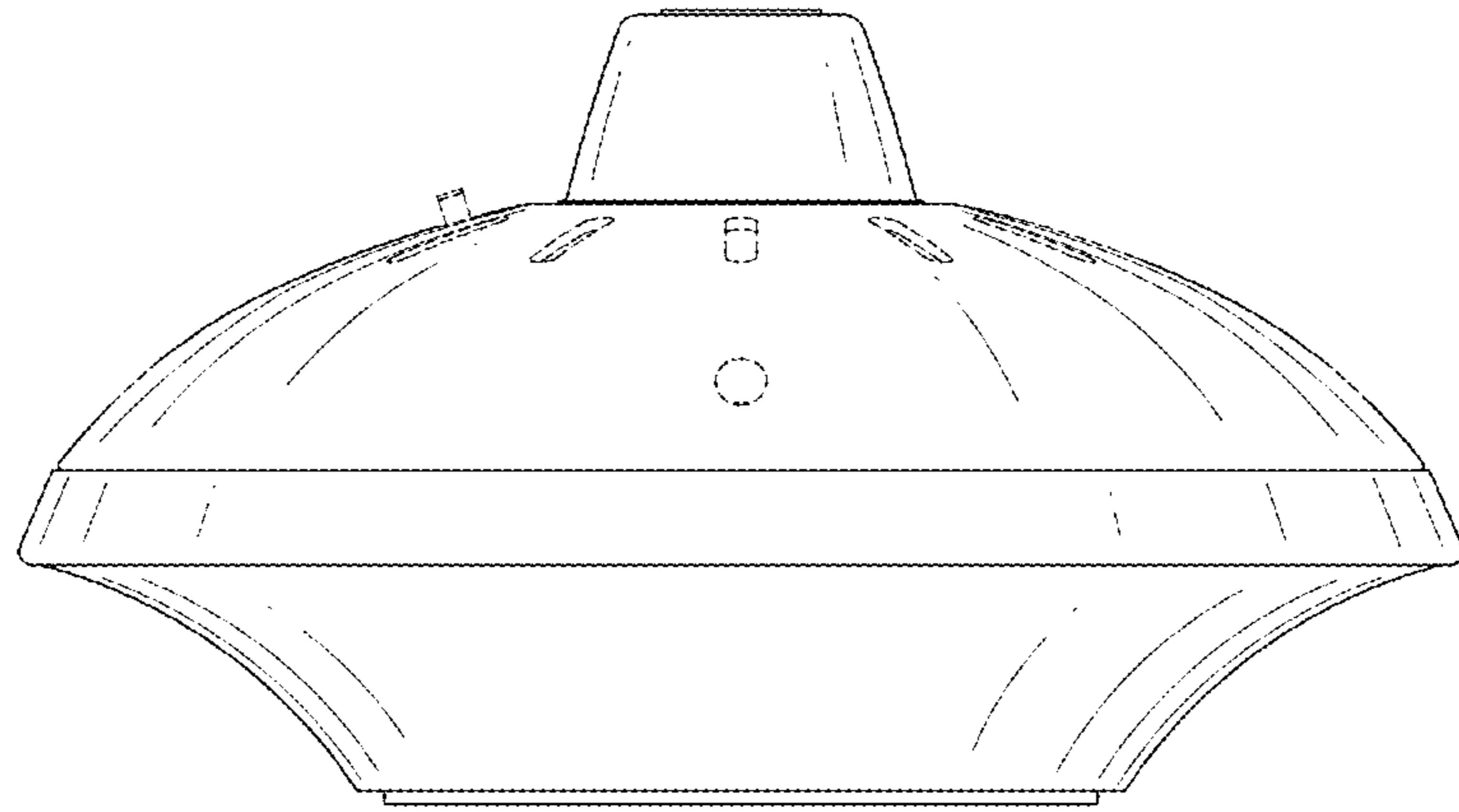


FIG. 2

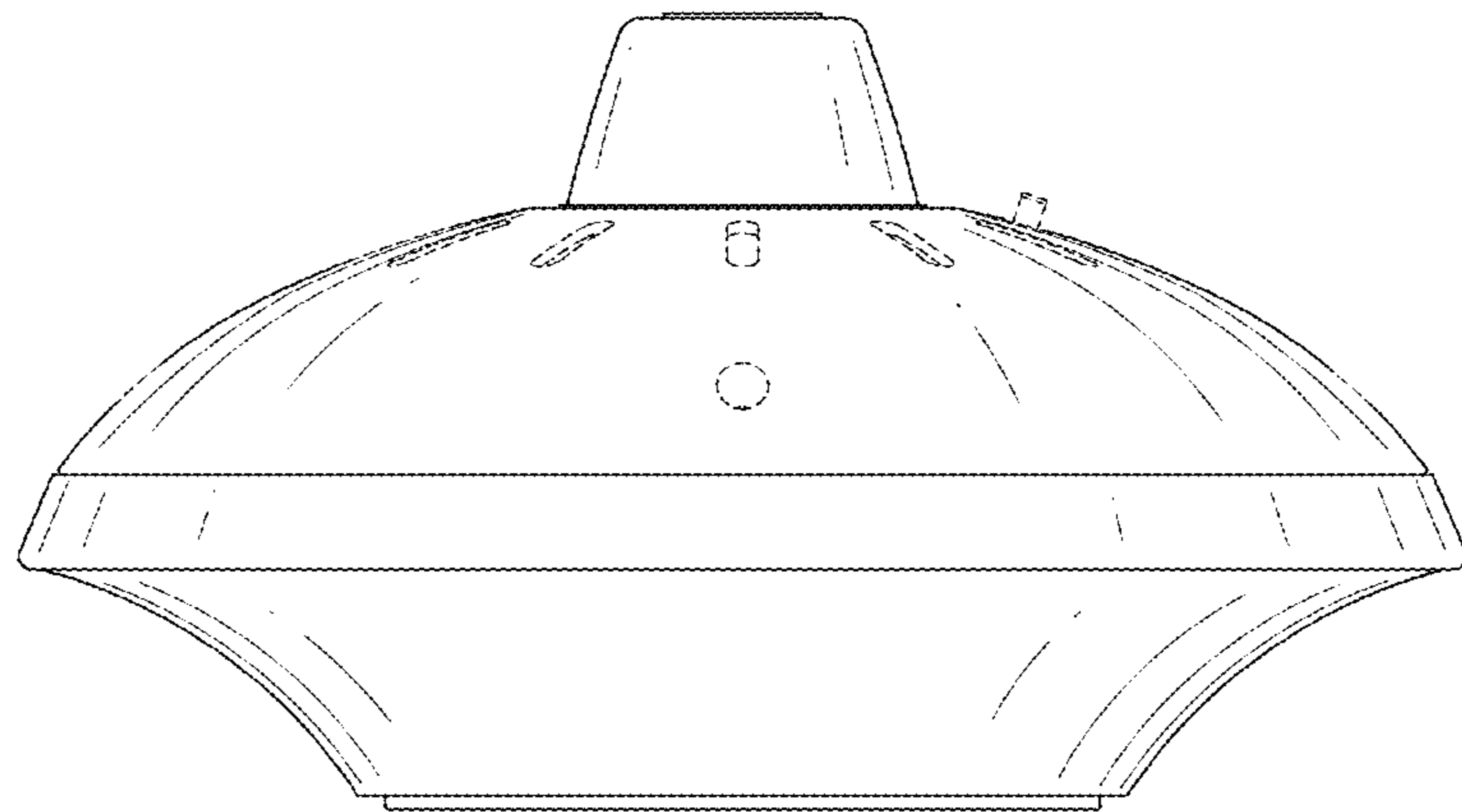


FIG. 3

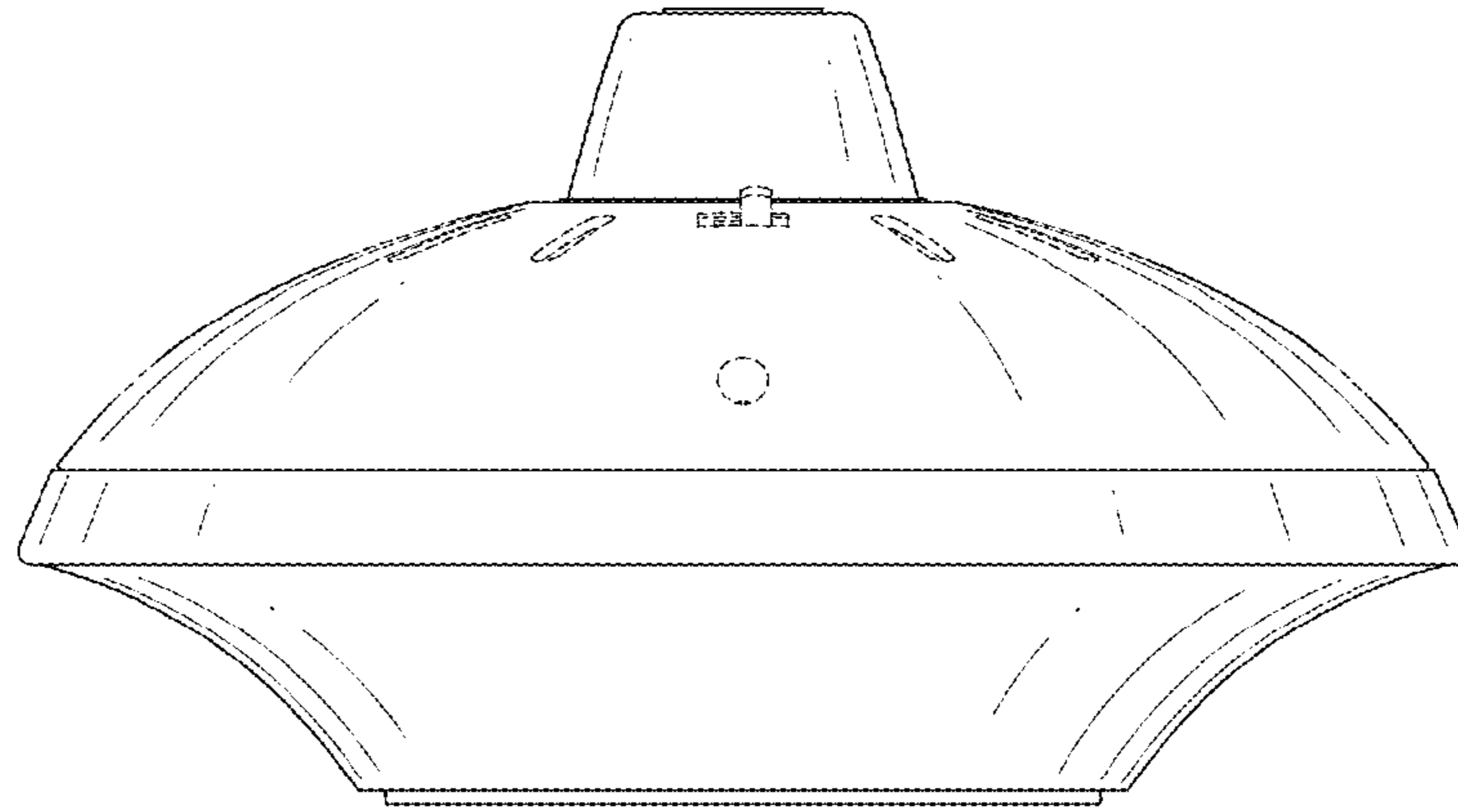


FIG. 4

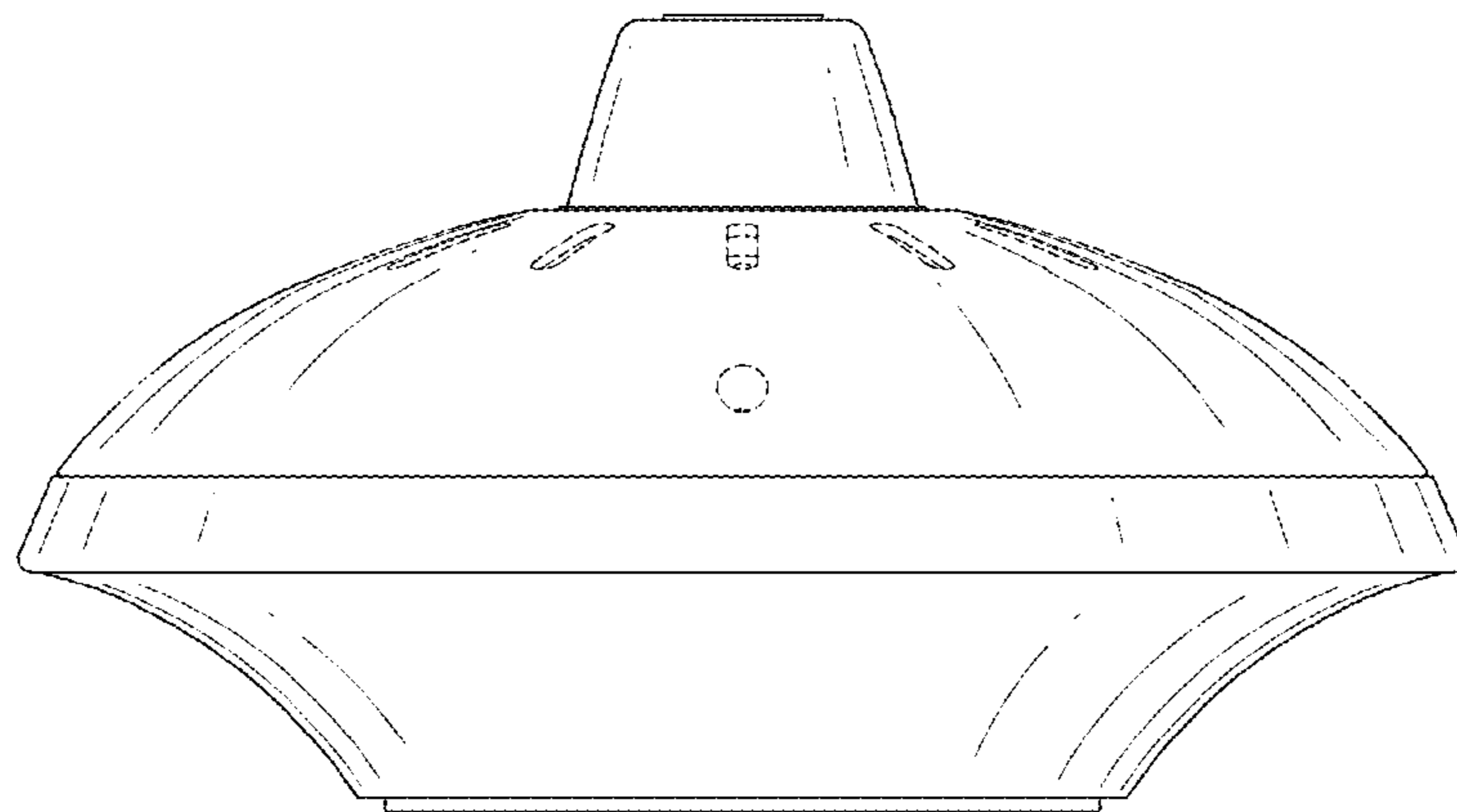


FIG. 5

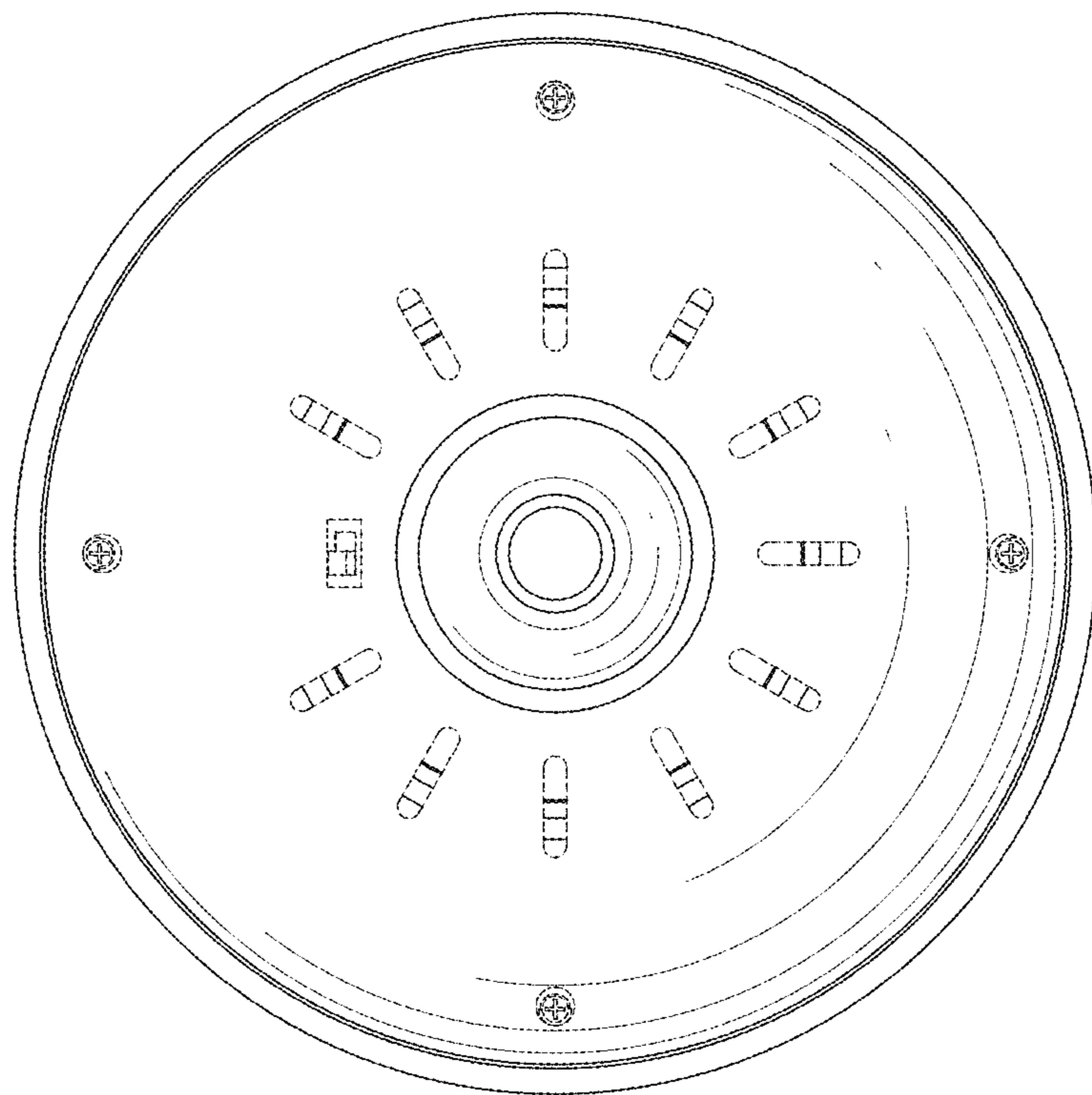


FIG. 6

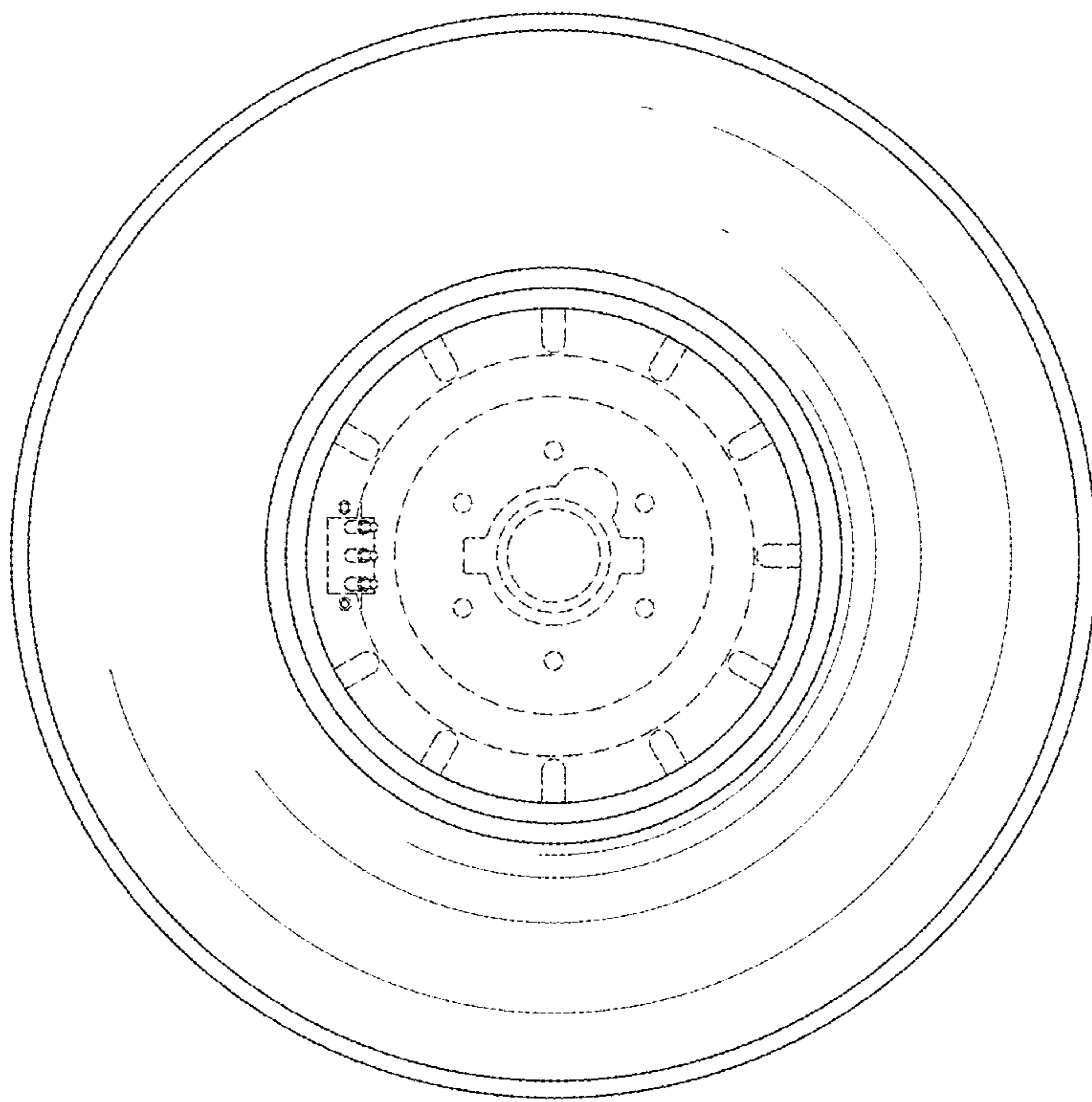


FIG. 7