



US00D706919S

(12) **United States Design Patent**
Wang

(10) **Patent No.:** **US D706,919 S**
(45) **Date of Patent:** **** Jun. 10, 2014**

(54) **CEILING FAN MOTOR HOUSING**

(75) Inventor: **Cliff Wang**, Taichung (TW)

(73) Assignee: **Air Cool Industrial Co., Ltd.**, Taichung (TW)

(**) Term: **14 Years**

(21) Appl. No.: **29/425,046**

(22) Filed: **Jun. 19, 2012**

(51) **LOC (10) Cl.** **23-04**

(52) **U.S. Cl.**
USPC **D23/411**

(58) **Field of Classification Search**
CPC F04D 25/088; F04D 29/34; F21V 33/0096
USPC D23/411-414, 324, 331, 343, 385,
D23/370-384, 387, 499; D8/323, 327, 349,
D8/354, 373, 380-387, 394, 397, 398;
D11/78.1, 86; D26/59, 51, 72, 73,
D26/80-86, 88, 90; 16/265, 382, 388, 389;
248/188, 243, 398; 392/361, 364;
416/5, 170 R, 214 R, 184, 206, 207,
416/210 R, 220 R, 244 R, 248; 362/96
See application file for complete search history.

6,644,927	B2 *	11/2003	Bucher et al.	416/244 R
6,997,740	B2 *	2/2006	Kerr	439/537
D523,951	S *	6/2006	Pickett	D23/411
D529,602	S *	10/2006	Glasbrenner	D23/411
D539,894	S *	4/2007	Bucher	D23/377
D541,406	S *	4/2007	Pickett	D23/411
D549,319	S *	8/2007	Shurtleff	D23/411
D552,228	S *	10/2007	Ertze	D23/411
D575,900	S *	8/2008	Summerford et al.	D26/128
D586,452	S *	2/2009	Orozco	D23/377
D598,091	S *	8/2009	Orozco	D23/377
D599,004	S *	8/2009	Pickett	D23/411
D627,048	S *	11/2010	Shurtleff	D23/411
D627,050	S *	11/2010	Pan	D23/411
D627,051	S *	11/2010	Pan	D23/411
D627,871	S *	11/2010	Shurtleff	D23/411
D643,105	S *	8/2011	Orozco	D23/377
D671,631	S *	11/2012	Searle	D23/411
D679,797	S *	4/2013	Chen	D23/411

* cited by examiner

Primary Examiner — Susan Bennett Hattan

Assistant Examiner — Marie Fast Horse

(74) *Attorney, Agent, or Firm* — Ming Chow; Sinorica, LLC

(57) **CLAIM**

I claim the ornamental design for a ceiling fan motor housing, as shown and described.

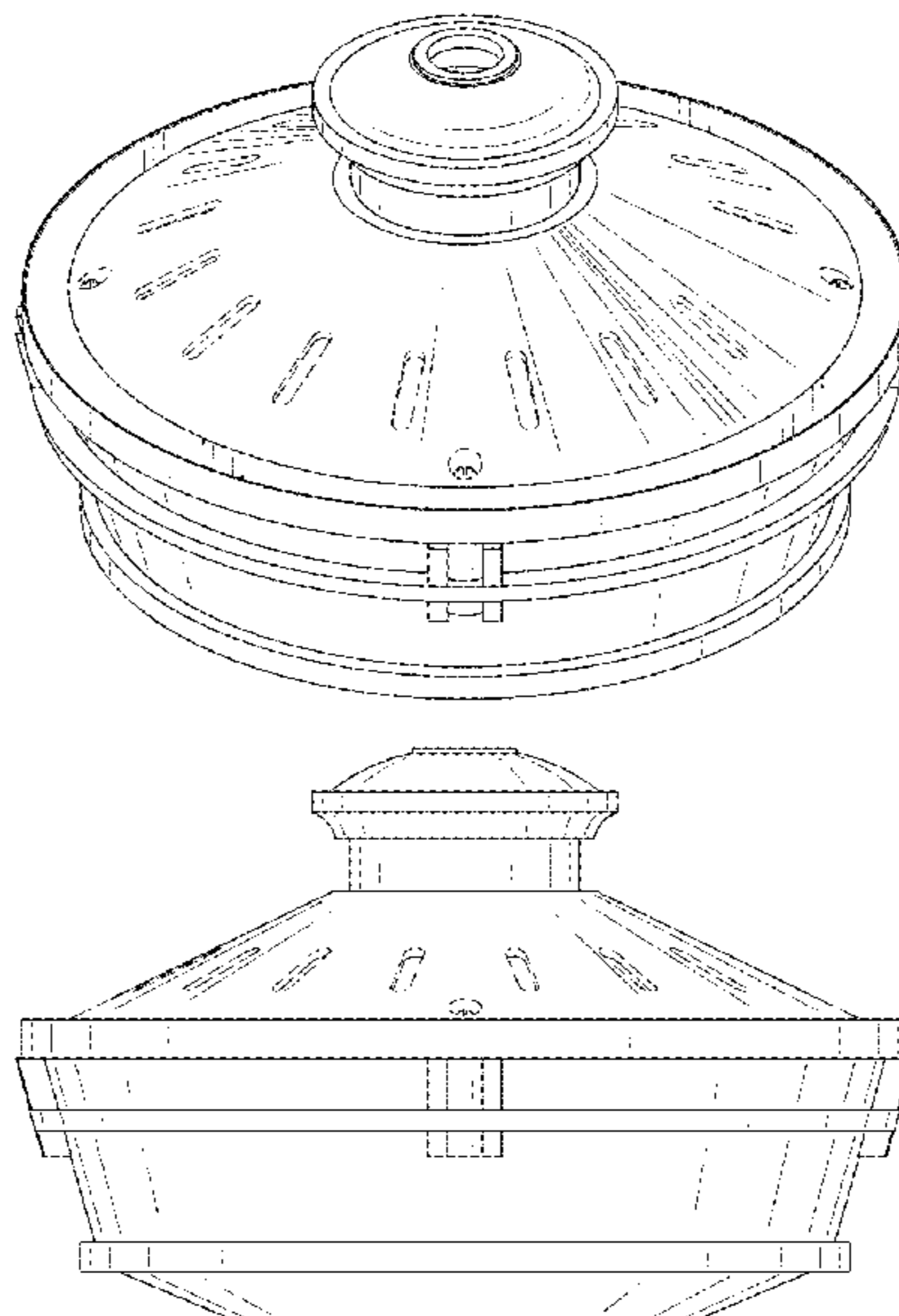
DESCRIPTION

FIG. 1 is a front perspective view of a ceiling fan motor housing showing my new design;
 FIG. 2 is a front elevational view thereof;
 FIG. 3 is a rear elevational view thereof.
 FIG. 4 is a left side elevational view thereof;
 FIG. 5 is a right side elevational view thereof;
 FIG. 6 is a top plan view thereof; and,
 FIG. 7 is a bottom plan view thereof.
 The broken lines in the drawings depict environmental subject matter only and form no part of the claimed design.

1 Claim, 5 Drawing Sheets

(56) **References Cited**
U.S. PATENT DOCUMENTS

D51,774	S *	2/1918	Coppinger	D26/51
D181,016	S *	9/1957	Norman, Jr.	D23/385
4,402,649	A *	9/1983	Laurel	416/5
D306,064	S *	2/1990	Bartlett et al.	D23/383
5,340,277	A *	8/1994	Whitaker	416/5
5,462,412	A *	10/1995	Scofield et al.	416/210 R
D369,405	S *	4/1996	Holbrook	D23/411
D425,191	S *	5/2000	LaSpina	D23/377
D426,629	S *	6/2000	LaSpina et al.	D23/377
D450,831	S *	11/2001	Hsieh	D23/377
6,394,756	B1 *	5/2002	Bucher et al.	416/244 R



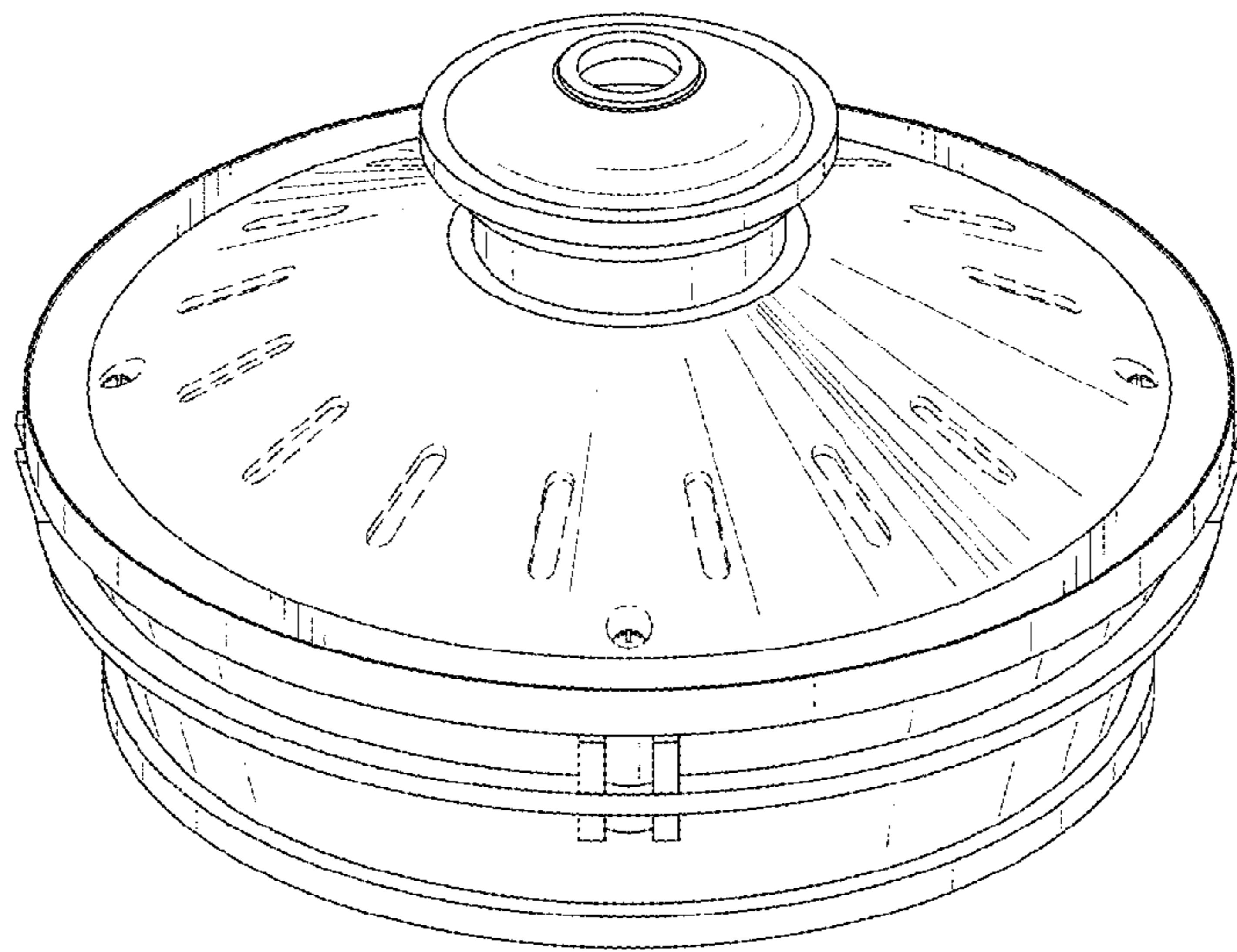


FIG. 1

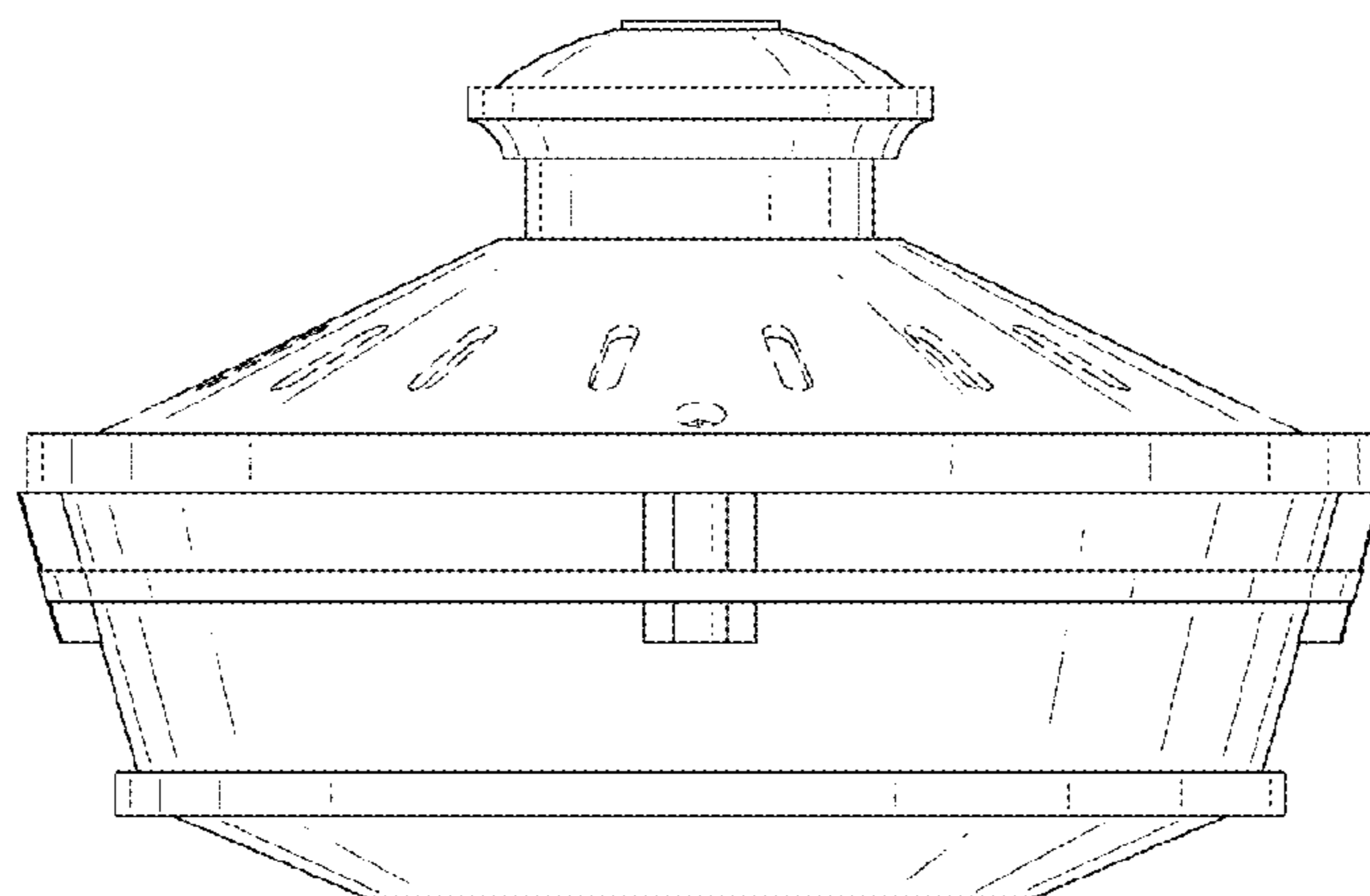


FIG. 2

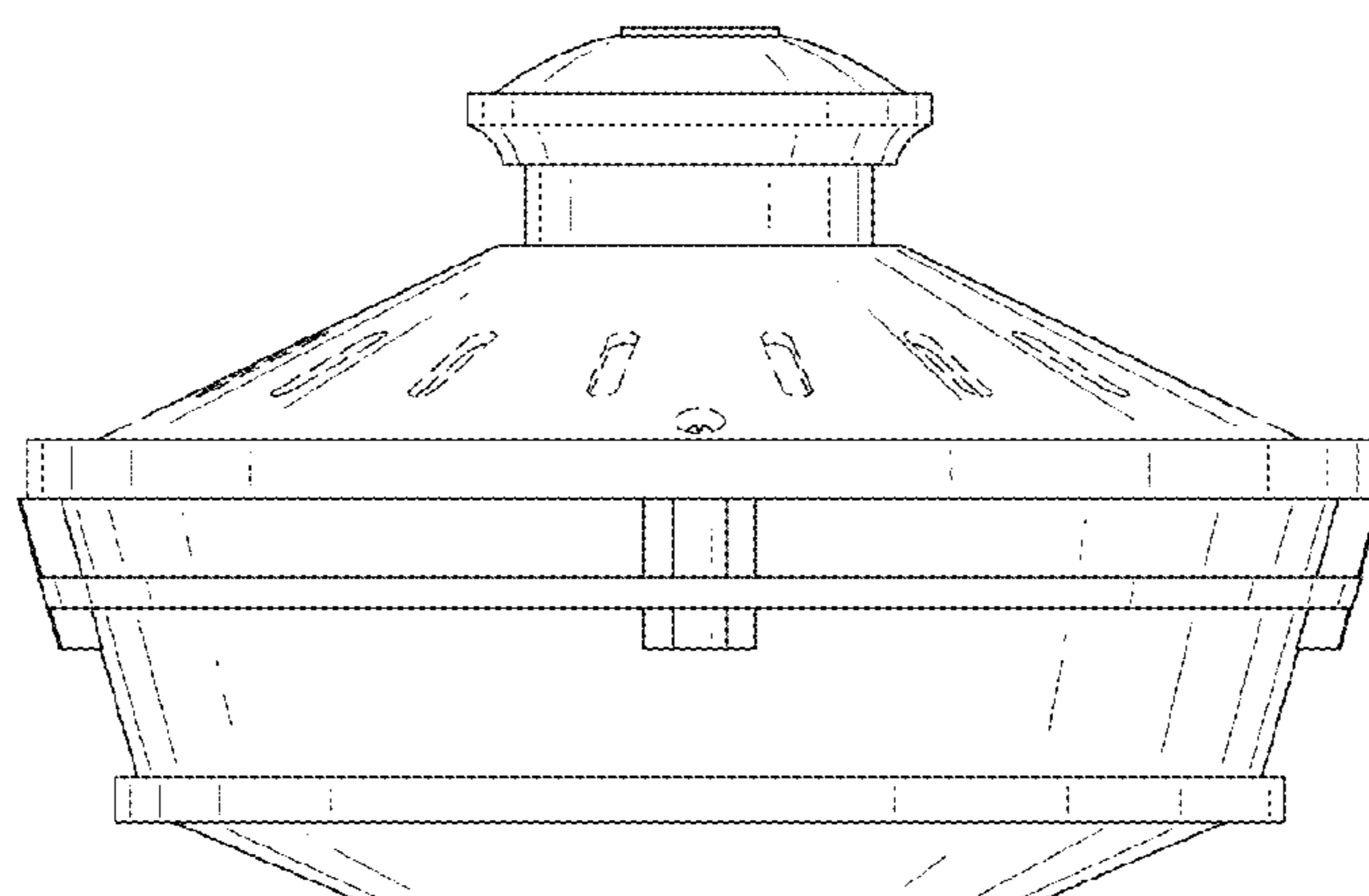


FIG. 3

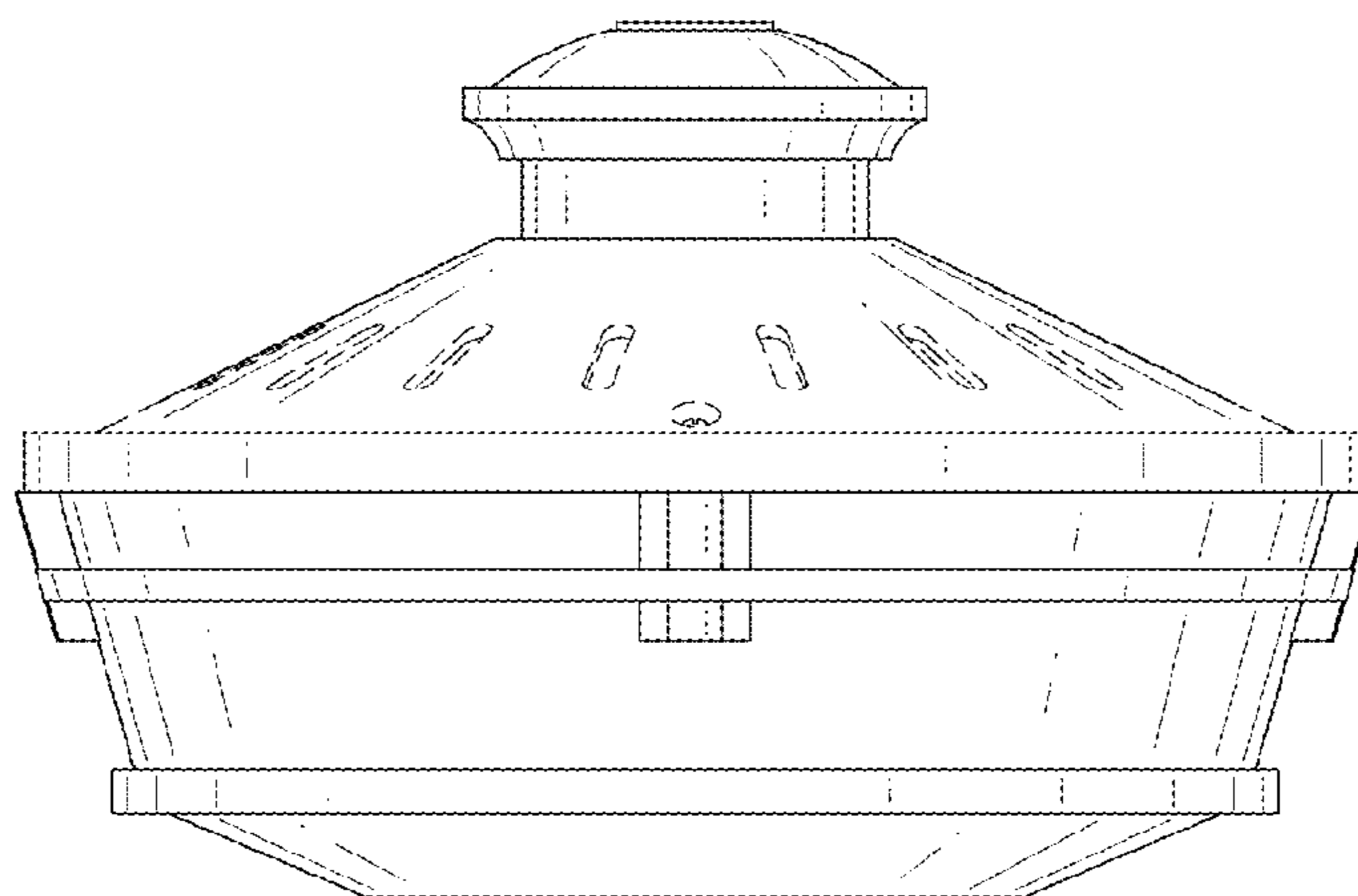


FIG. 4

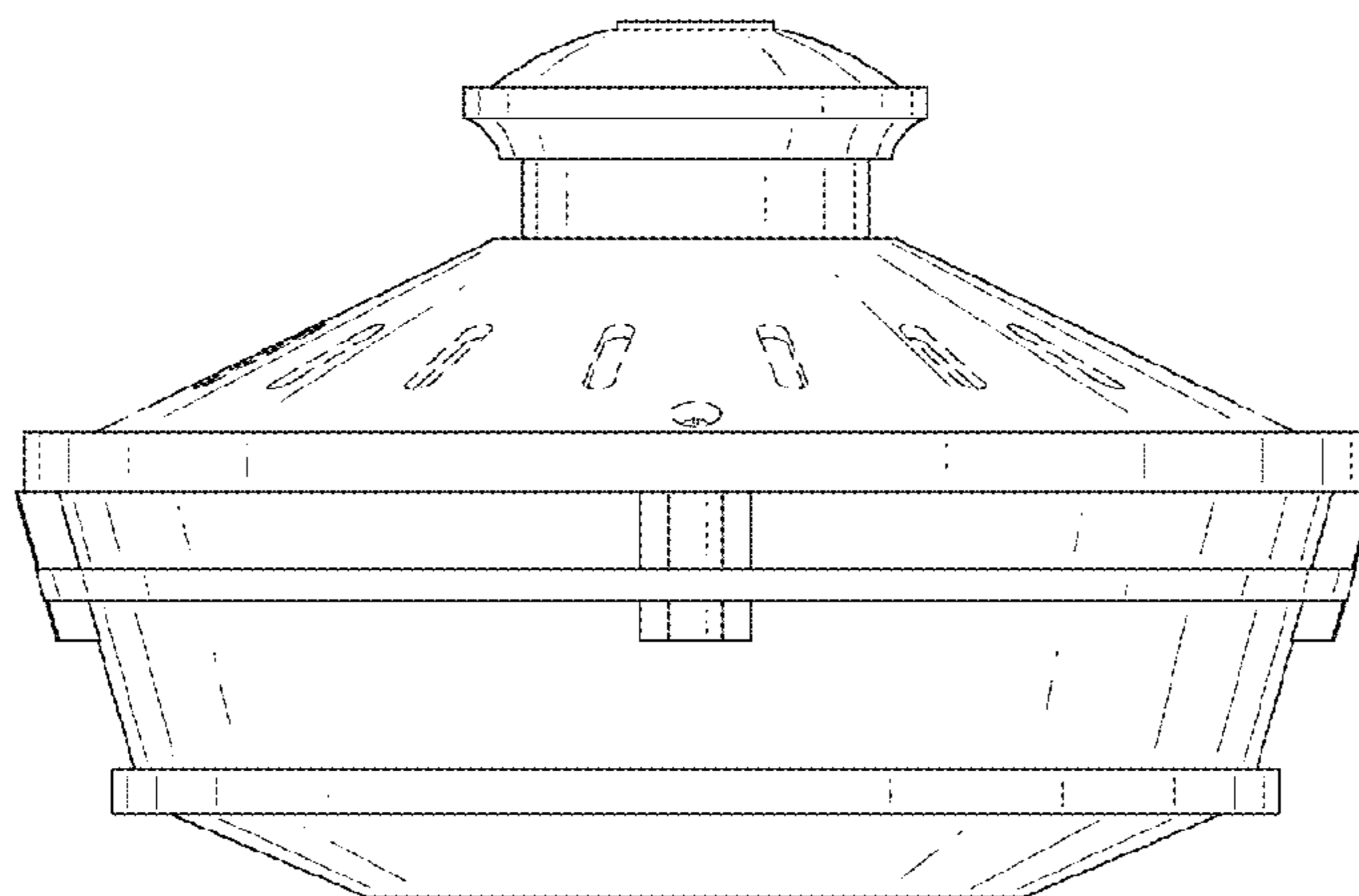


FIG. 5

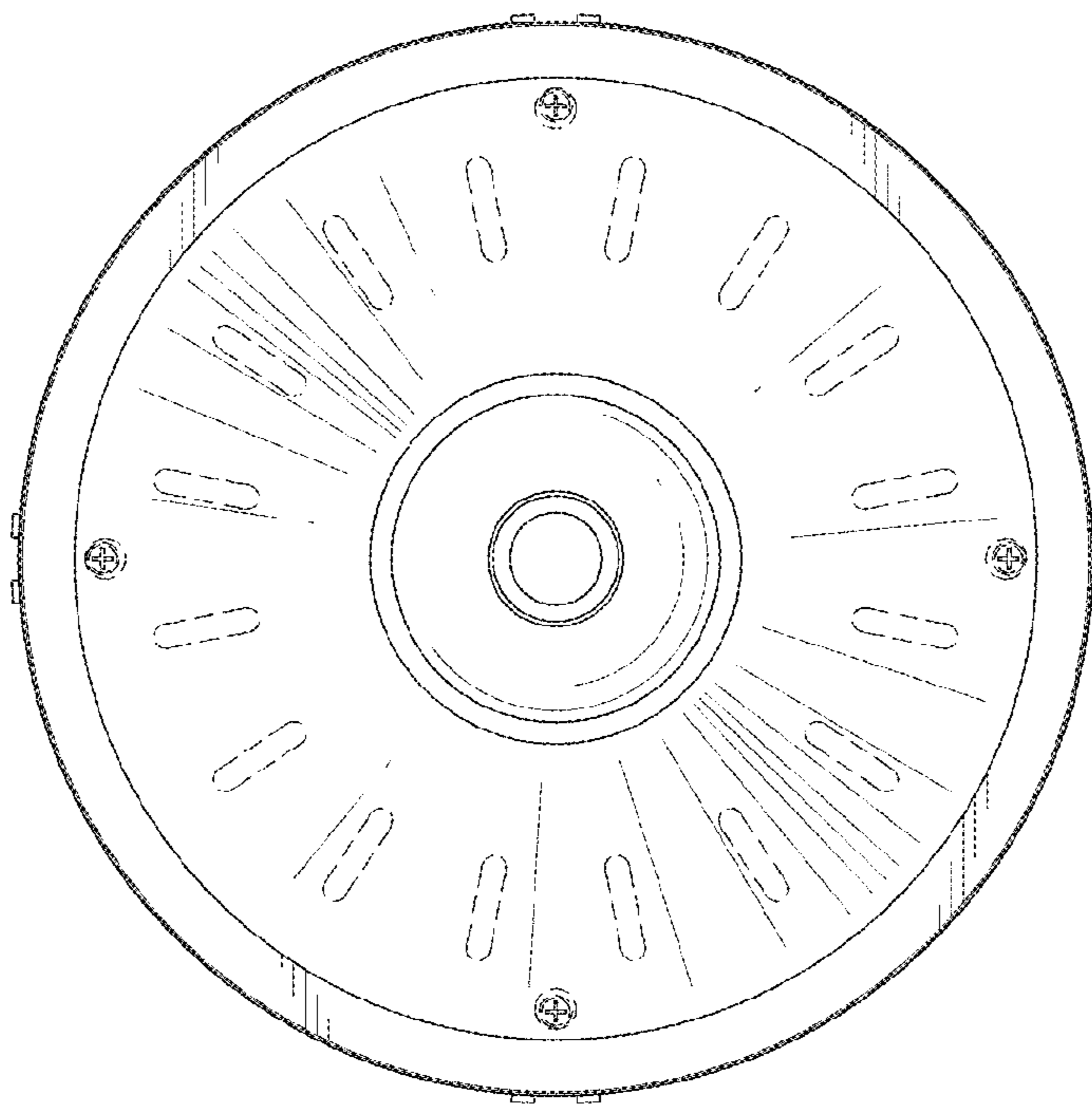


FIG. 6

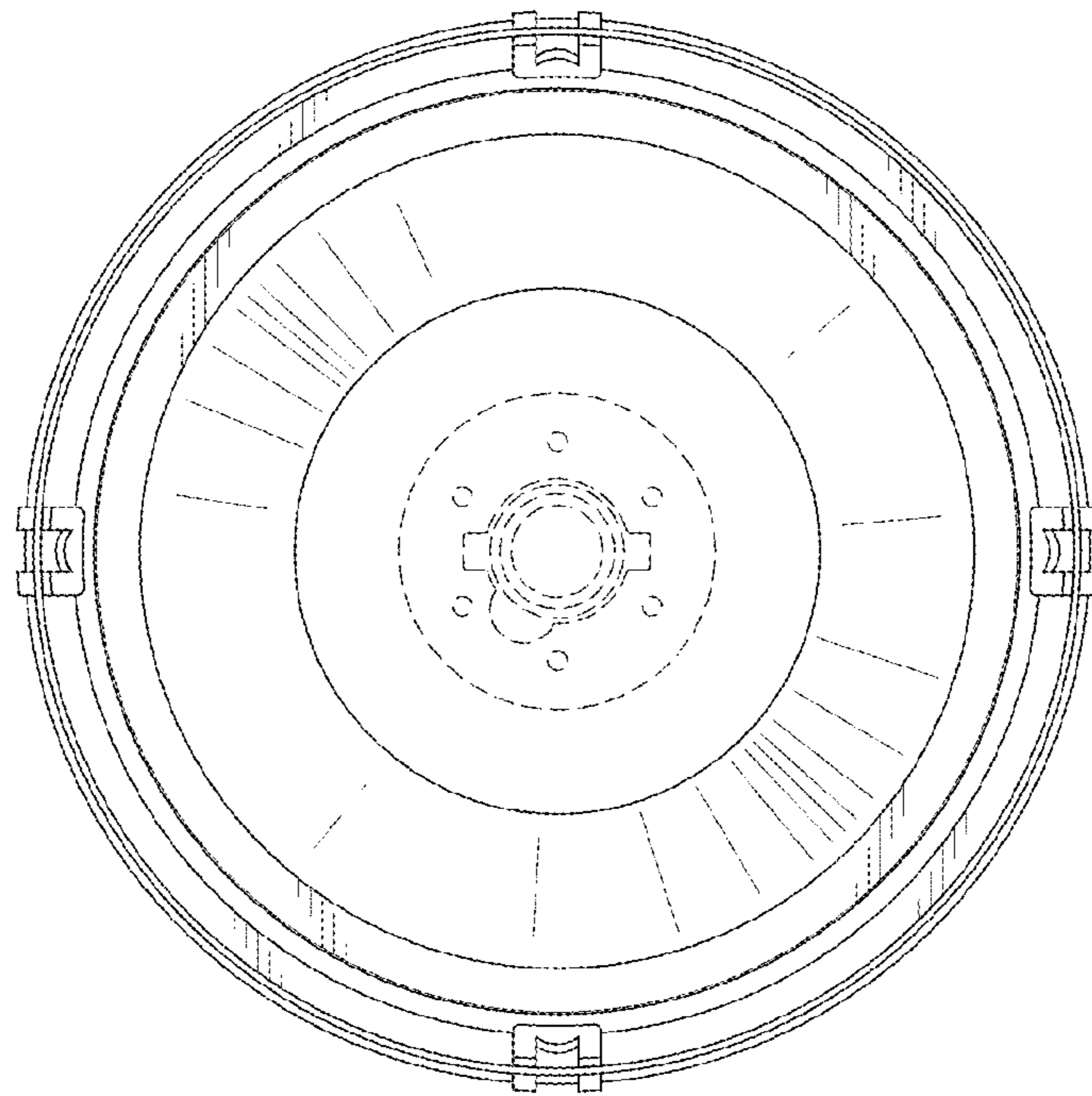


FIG. 7