



US00D706918S

(12) **United States Design Patent**
Wang

(10) **Patent No.:** **US D706,918 S**
(45) **Date of Patent:** **** Jun. 10, 2014**

- (54) **CEILING FAN MOTOR HOUSING**
- (75) Inventor: **Cliff Wang**, Taichung (TW)
- (73) Assignee: **Air Cool Industrial Co., Ltd.**, Taichung (TW)
- (**) Term: **14 Years**
- (21) Appl. No.: **29/425,029**
- (22) Filed: **Jun. 19, 2012**
- (51) **LOC (10) Cl.** **23-04**
- (52) **U.S. Cl.**
USPC **D23/411**
- (58) **Field of Classification Search**
USPC D23/385, 370–384, 411–414, 386–394,
D23/499; D26/51, 59, 72, 73, 80–86, 88,
D26/90, 377; 165/244; 362/96, 294; 416/5,
416/170 R, 214 R, 184; 417/423.1;
392/361–364
See application file for complete search history.

(56) **References Cited**

U.S. PATENT DOCUMENTS

D202,084 S *	8/1965	Storch	D23/360
D279,216 S *	6/1985	Mango et al.	D23/362
D391,661 S *	3/1998	Pan	D26/86
5,797,721 A *	8/1998	Yu	415/5
D456,926 S *	5/2002	Gaskins et al.	D26/71
D465,868 S *	11/2002	Gaskins et al.	D26/72
D480,793 S *	10/2003	Burns	D23/411
D532,902 S *	11/2006	Pan	D23/411
D561,932 S *	2/2008	Summerford et al.	D26/128

D562,967 S *	2/2008	Pickett	D23/411
D575,900 S *	8/2008	Summerford et al.	D26/128
D580,545 S *	11/2008	Pickett	D23/411
D627,052 S *	11/2010	Pan	D23/411
D627,455 S *	11/2010	Pan	D23/411
D627,871 S *	11/2010	Shurtleff	D23/411
D627,874 S *	11/2010	Pan	D23/411
D648,843 S *	11/2011	Chen	D23/411
2011/0044050 A1 *	2/2011	Chiu	362/294
2011/0052411 A1 *	3/2011	Yamamoto et al.	416/244 R

* cited by examiner

Primary Examiner — Susan Bennett Hattan

Assistant Examiner — Marie Fast Horse

(74) *Attorney, Agent, or Firm* — Ming Chow; Sinorica, LLC

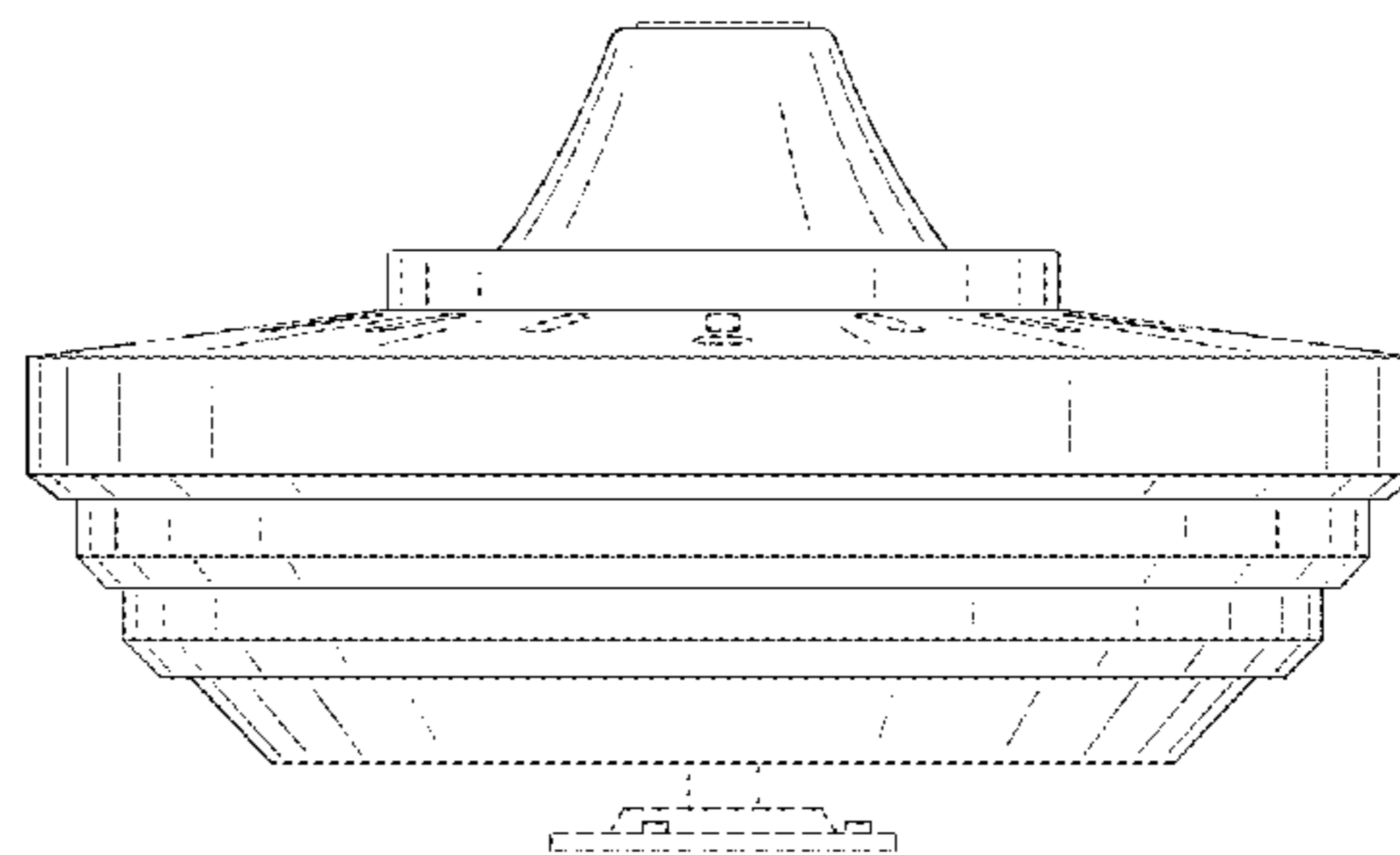
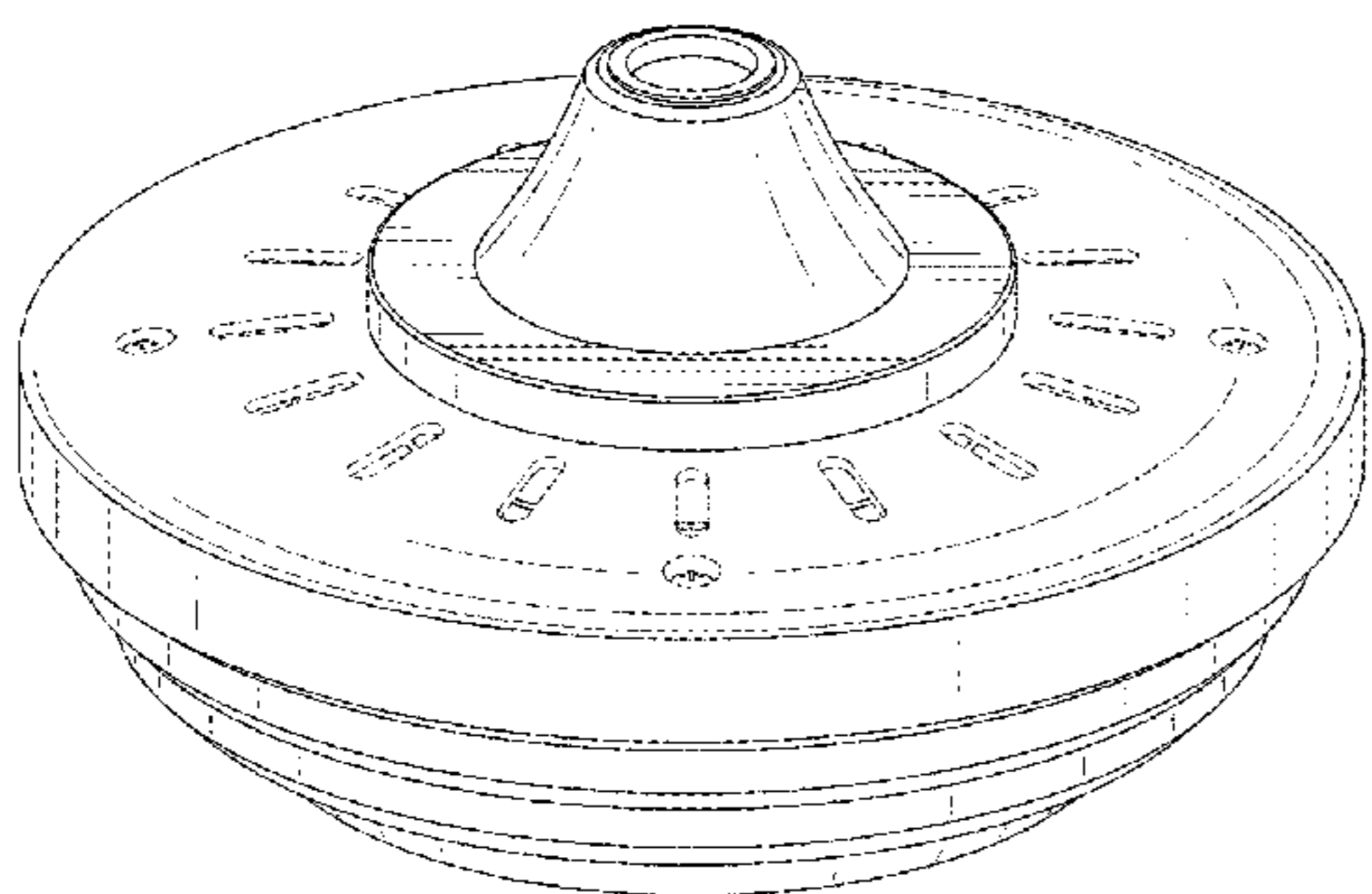
(57) **CLAIM**

I claim the ornamental design for a ceiling fan motor housing, as shown and described.

DESCRIPTION

FIG. 1 is a front perspective view of a ceiling fan motor housing showing my new design;
 FIG. 2 is a front elevational view thereof;
 FIG. 3 is a rear elevational view thereof.
 FIG. 4 is a left side elevational view thereof;
 FIG. 5 is a right side elevational view thereof;
 FIG. 6 is a top plan view thereof; and,
 FIG. 7 is a bottom plan view thereof.
 The broken lines in the drawings depict environmental subject matter only and form no part of the claimed design.

1 Claim, 5 Drawing Sheets



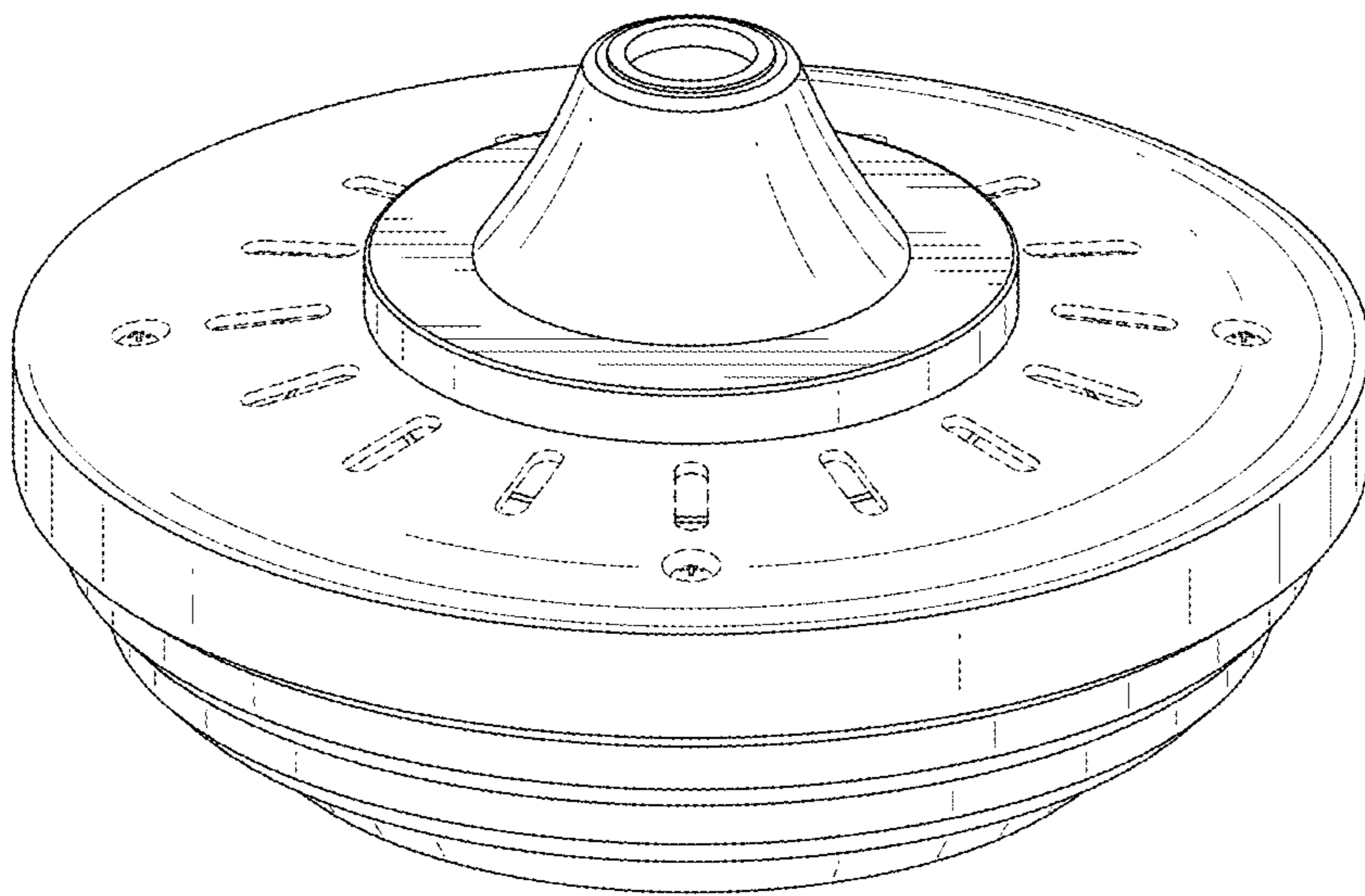


FIG. 1

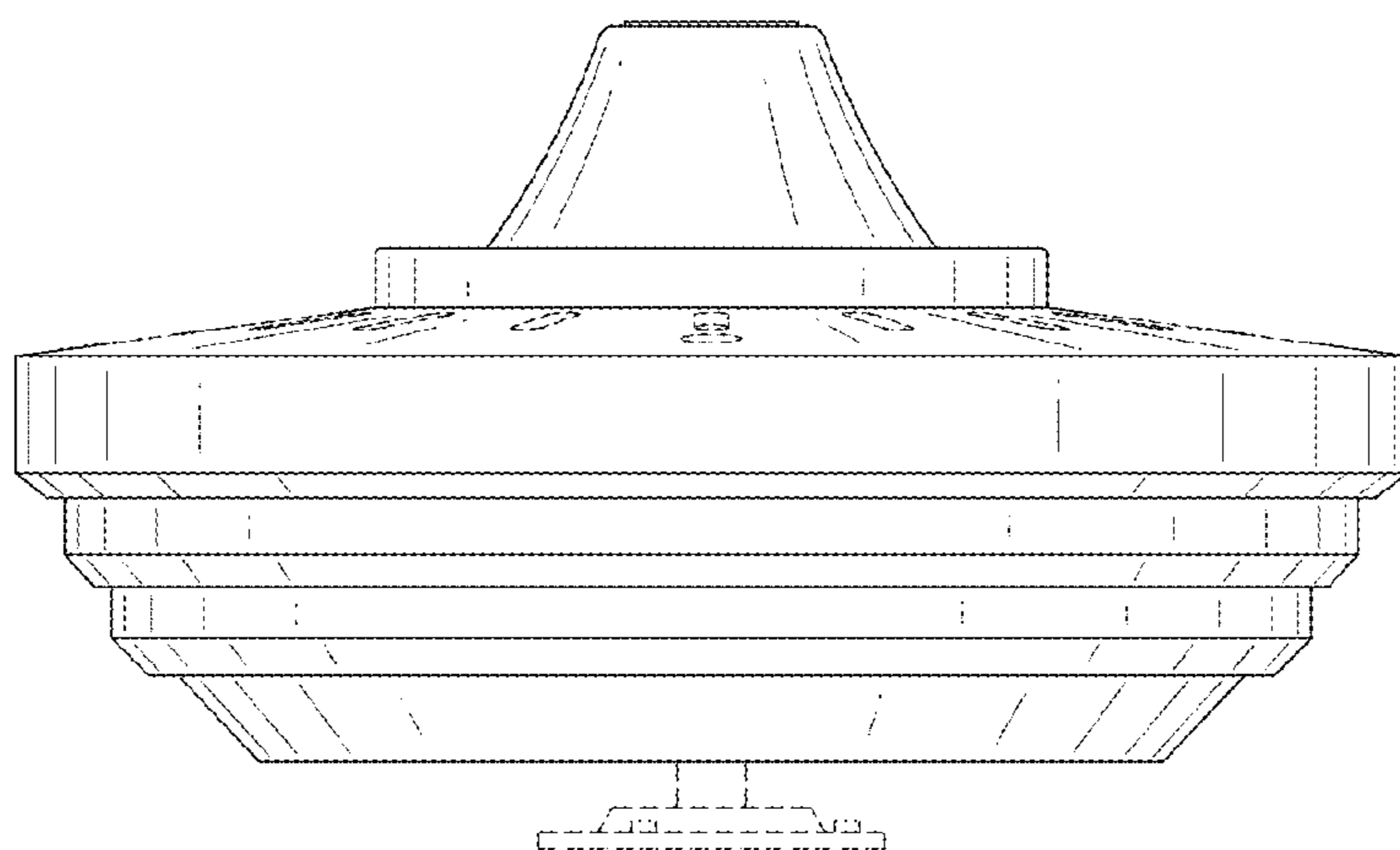


FIG. 2

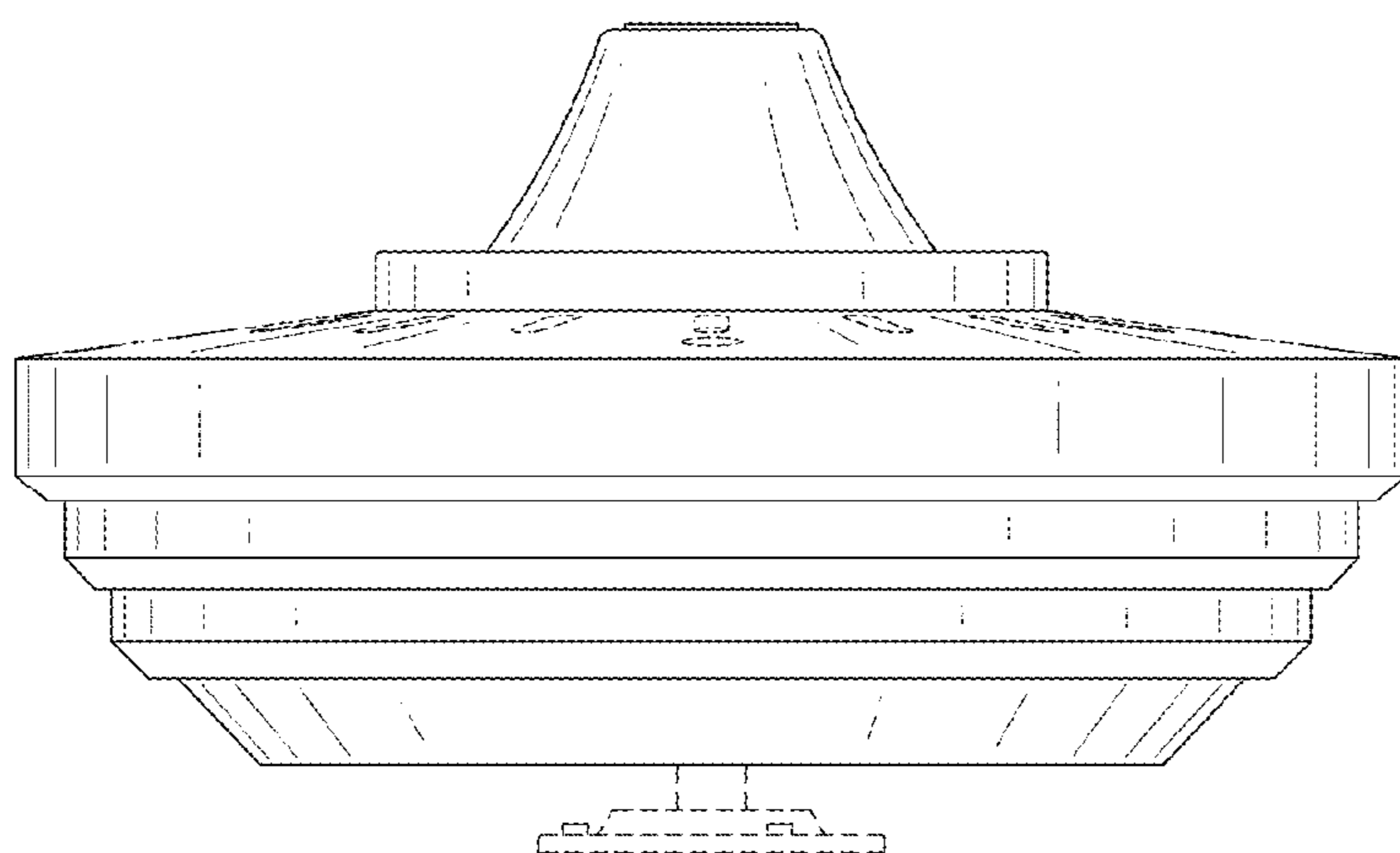


FIG. 3

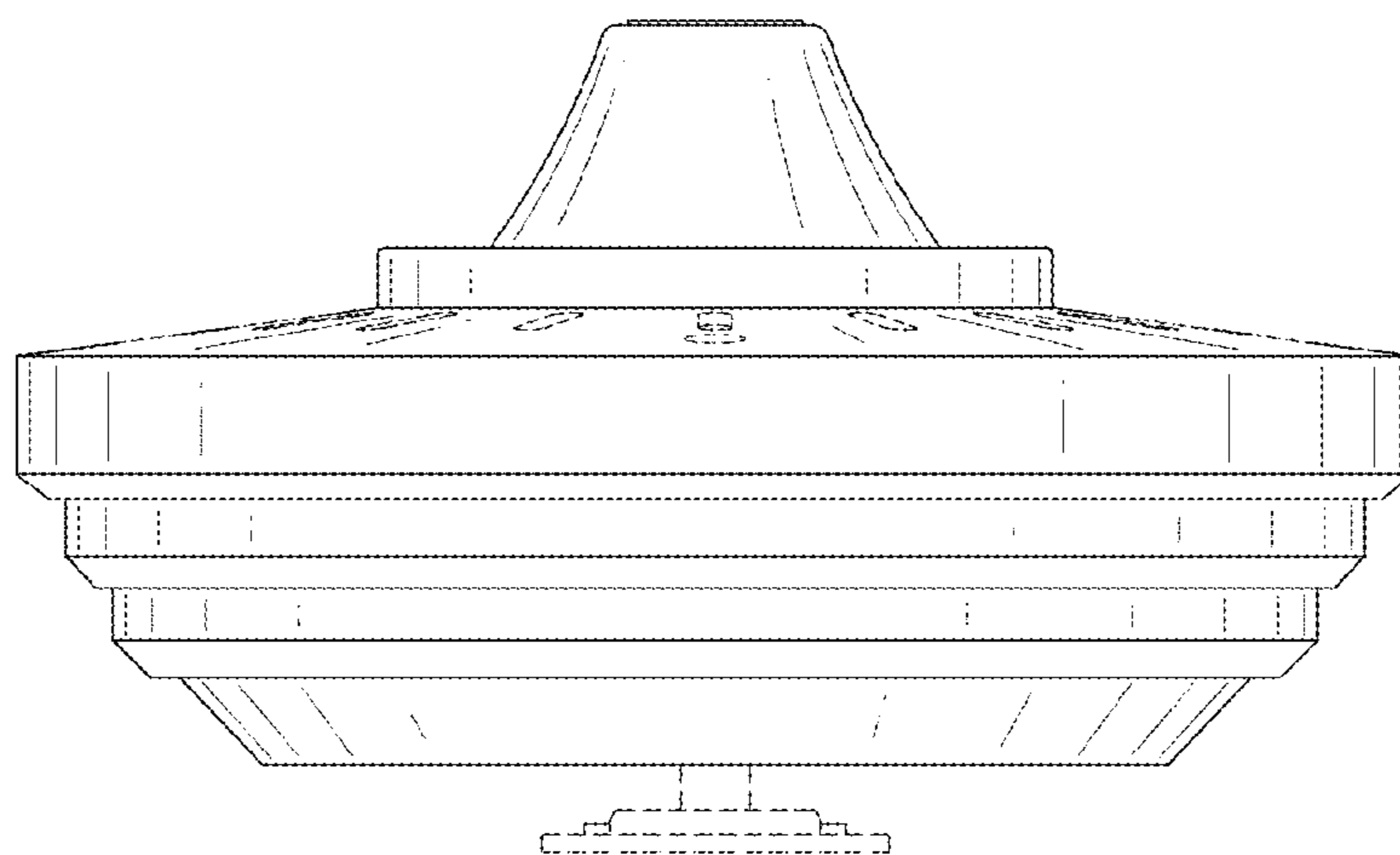


FIG. 4

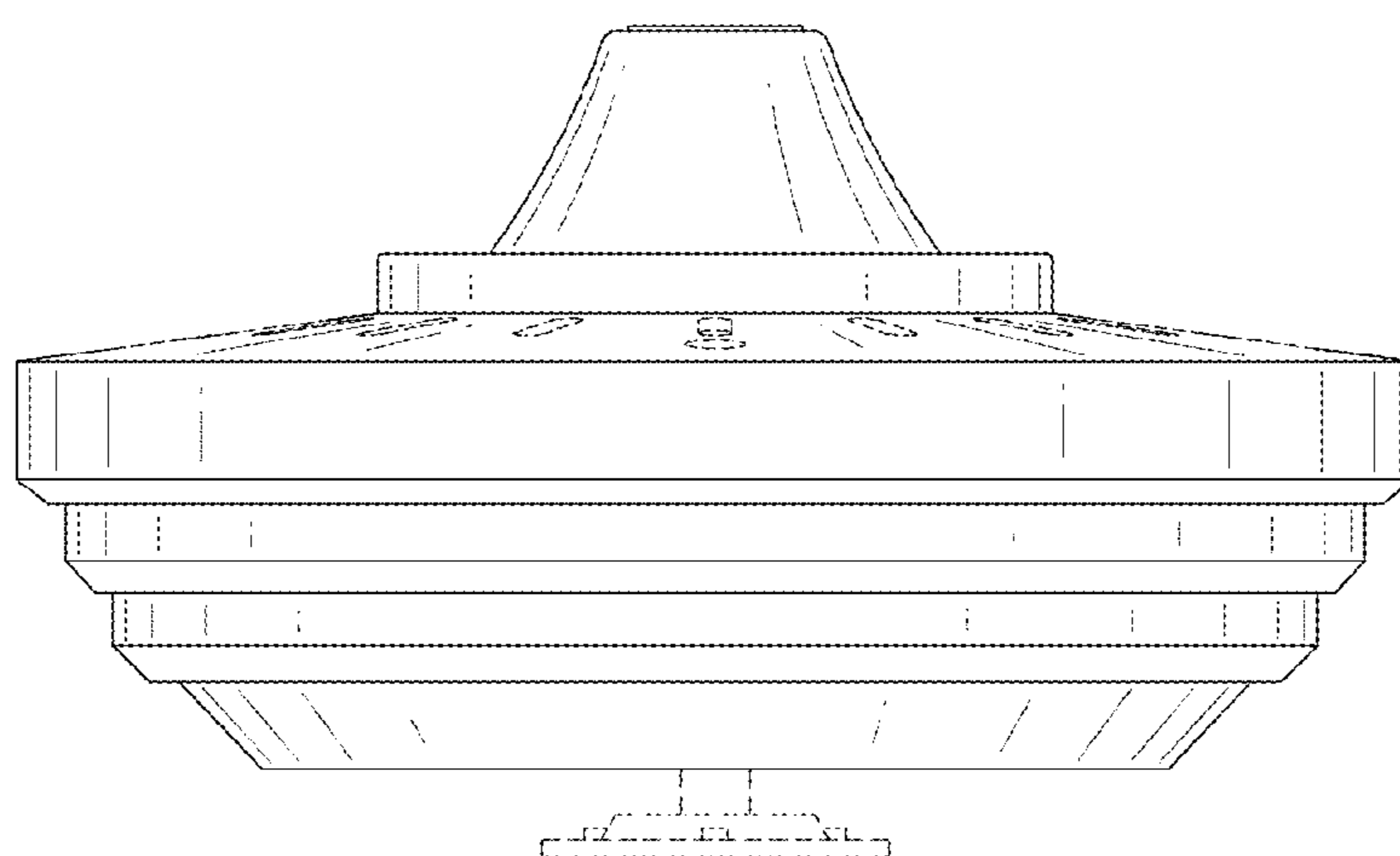


FIG. 5

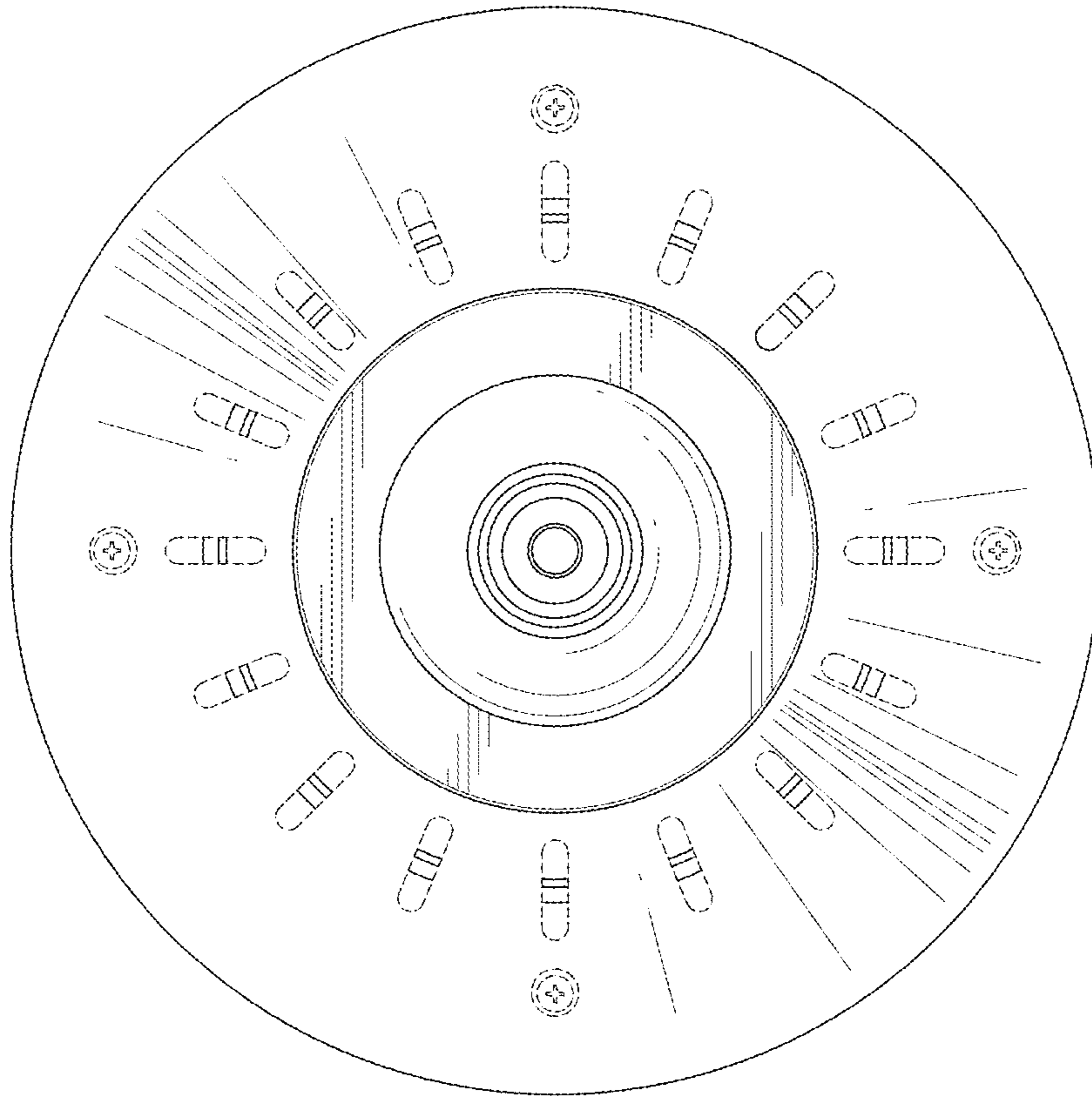


FIG. 6

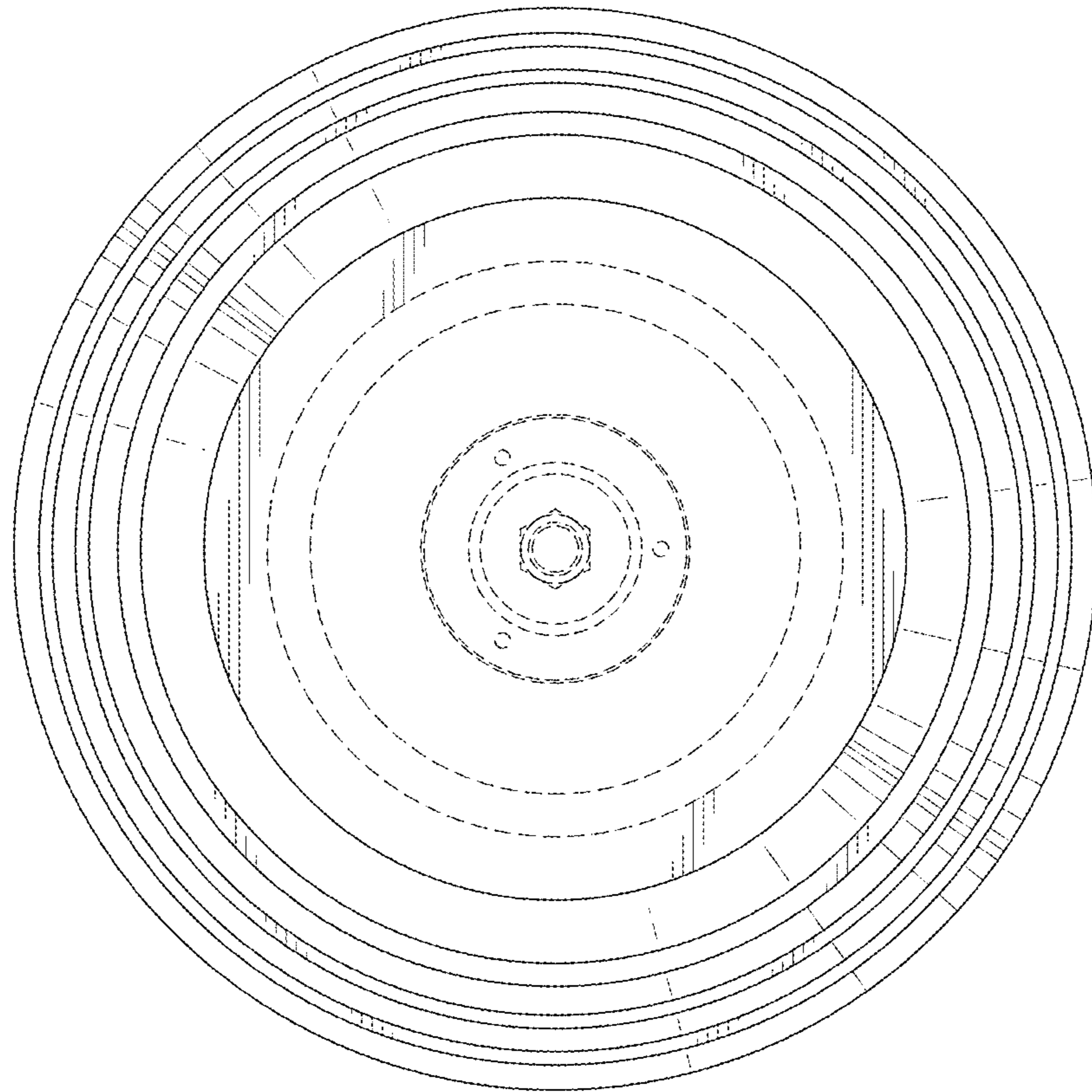


FIG. 7