



US00D706917S

(12) **United States Design Patent**  
**Cohen**

(10) **Patent No.:** **US D706,917 S**  
(45) **Date of Patent:** **\*\* Jun. 10, 2014**

- (54) **COMBINED CEILING FAN AND LIGHT KIT**
- (75) Inventor: **Fred Cohen**, Los Angeles, CA (US)
- (73) Assignee: **Air Cool Industrial Co., Ltd.**, Taichung (TW)
- (\*\*) Term: **14 Years**
- (21) Appl. No.: **29/431,999**
- (22) Filed: **Sep. 12, 2012**
- (51) **LOC (10) Cl.** ..... **23-04**
- (52) **U.S. Cl.**  
USPC ..... **D23/385**; D23/377
- (58) **Field of Classification Search**  
CPC ..... F04D 25/088; F04D 25/08; F04D 29/34;  
F04D 29/005; F04D 29/646; F04D 29/263;  
F04D 25/06; F04D 29/20; F04D 29/242;  
F04D 29/325; F04D 29/38; F04D 19/002;  
F04D 1/04; F04D 29/322; Y02E 10/721;  
F21V 33/0096; F21V 21/03; F21Y 2103/022;  
F21Y 2103/02; F03D 1/0691; F03D 3/005;  
F03D 1/0666; F03D 1/0675; F03D 3/002;  
F05B 2250/25  
USPC ..... D23/385, 370–384, 411–414, 386–394,  
D23/499; D26/51, 59, 72, 73, 80–86,  
D26/88–90; 165/244; 362/96, 294; 416/5,  
416/170 R, 214 R, 184, 206, 207, 21 OR,  
416/220 R, 244 R, 248; 417/423.1; 392/364  
See application file for complete search history.

(56) **References Cited**  
U.S. PATENT DOCUMENTS

4,342,073	A	*	7/1982	Ranten	.....	362/294
D325,776	S	*	4/1992	Scofield et al.	.....	D23/377
D346,210	S	*	4/1994	Holbrook	.....	D23/377
D346,859	S	*	5/1994	DiPasquale	.....	D23/411
D352,997	S	*	11/1994	DiPasquale	.....	D23/411
D355,046	S	*	1/1995	Corsi	.....	D26/134

5,404,284	A	*	4/1995	Davis, Jr.	.....	362/294
D374,303	S	*	10/1996	Miranda	.....	D26/134
D390,996	S	*	2/1998	Lin	.....	D26/85
D394,126	S	*	5/1998	Dolan	.....	D26/134
D402,026	S	*	12/1998	Chuang et al.	.....	D23/377
D412,571	S	*	8/1999	Lee	.....	D23/377
D422,377	S	*	4/2000	Davis, Jr.	.....	D26/134
D428,129	S	*	7/2000	Huang	.....	D23/377
D438,334	S	*	2/2001	Dolan	.....	D26/134
D453,218	S	*	1/2002	Hidalgo	.....	D23/377
D457,235	S	*	5/2002	Hidalgo	.....	D23/411
D470,931	S	*	2/2003	Hidalgo	.....	D23/377
D479,594	S	*	9/2003	Hsieh	.....	D23/411
D480,129	S	*	9/2003	Curtin	.....	D23/377
D483,848	S	*	12/2003	Tai	.....	D23/377
D484,233	S	*	12/2003	Bucher et al.	.....	D23/377
D484,588	S	*	12/2003	Tai	.....	D23/377
6,863,499	B2	*	3/2005	Pearce	.....	416/210 R
D513,315	S	*	12/2005	Hidalgo	.....	D23/377
D514,695	S	*	2/2006	Badarello	.....	D23/413

(Continued)

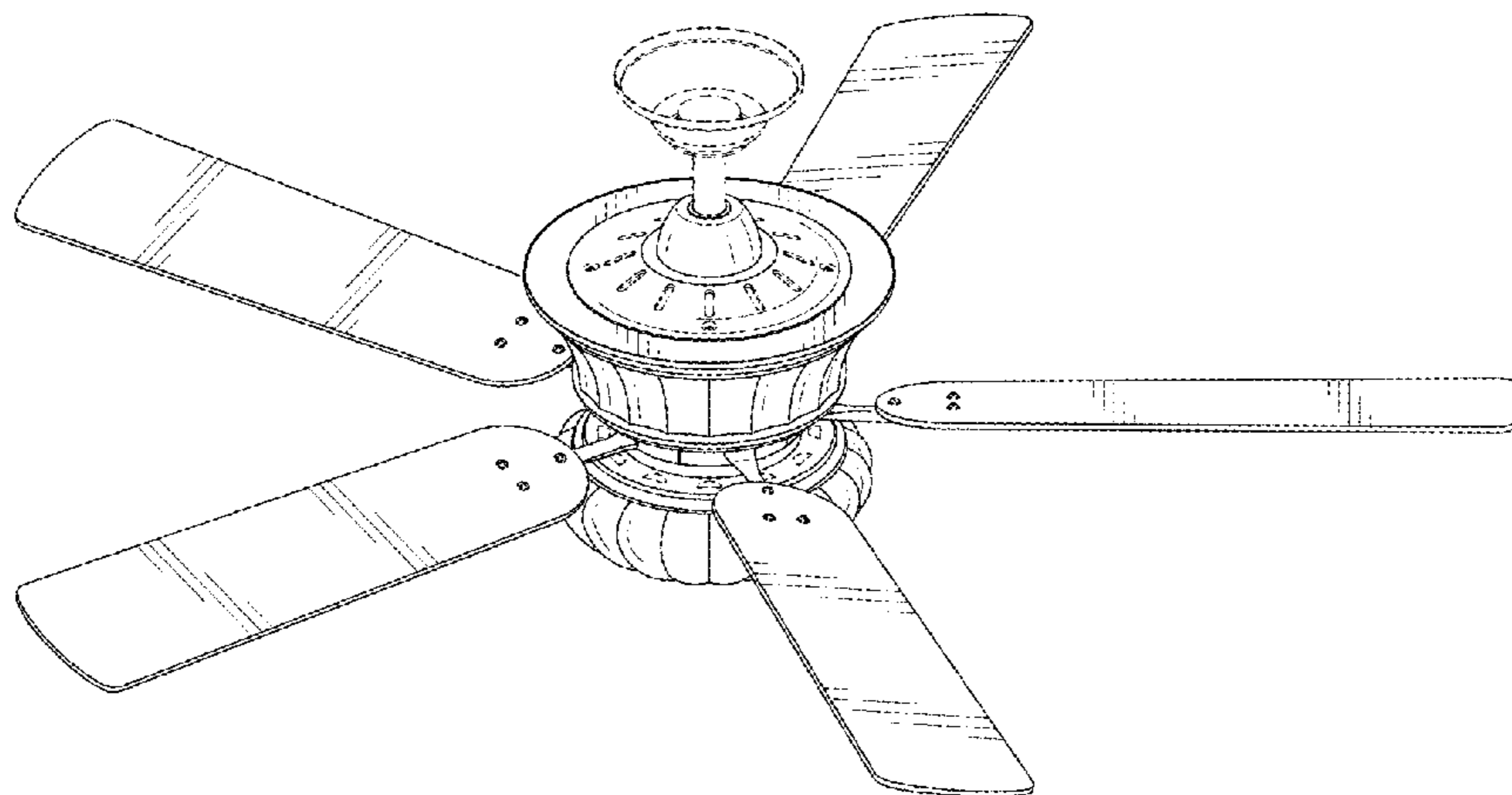
*Primary Examiner* — Susan Bennett Hattan  
*Assistant Examiner* — Marie Fast Horse  
(74) *Attorney, Agent, or Firm* — Ming Chow; Sinorica, LLC

(57) **CLAIM**  
I claim the ornamental design for a combined ceiling fan and light kit, as shown and described.

**DESCRIPTION**

FIG. 1 is a front perspective view of a combined ceiling fan and light kit showing my new design;  
FIG. 2 is a front elevational view thereof;  
FIG. 3 is a rear elevational view thereof.  
FIG. 4 is a left side elevational view thereof;  
FIG. 5 is a right side elevational view thereof;  
FIG. 6 is a top plan view thereof; and,  
FIG. 7 is a bottom plan view thereof.  
The broken lines in the drawings depict environmental subject matter only and form no part of the claimed design.

**1 Claim, 5 Drawing Sheets**



(56)

References Cited

U.S. PATENT DOCUMENTS

D516,195 S *	2/2006	Hidalgo .....	D23/377	D555,239 S *	11/2007	Shurtleff .....	D23/413
D520,131 S *	5/2006	Hidalgo .....	D23/377	D556,882 S *	12/2007	Flores .....	D23/377
D522,643 S *	6/2006	Hidalgo .....	D23/377	D556,887 S *	12/2007	Curtin .....	D23/411
D522,645 S *	6/2006	Ertze .....	D23/411	D557,400 S *	12/2007	Curtin .....	D23/411
D523,983 S *	6/2006	Hidalgo et al. ....	D26/59	D559,438 S *	1/2008	De'Armond .....	D26/154
D525,353 S *	7/2006	Hidalgo .....	D23/377	D568,462 S *	5/2008	Hidalgo .....	D23/411
D530,416 S *	10/2006	Shurtleff .....	D23/411	D594,551 S *	6/2009	Parker et al. ....	D23/413
D536,440 S *	2/2007	Clymer .....	D23/413	D599,466 S *	9/2009	Flores .....	D23/411
D542,461 S *	5/2007	Hidalgo .....	D26/128	D602,150 S *	10/2009	Curtin .....	D23/411
D547,433 S *	7/2007	Wang .....	D23/411	D603,498 S *	11/2009	Pickett .....	D23/411
D550,832 S *	9/2007	Ertze .....	D23/411	D604,406 S *	11/2009	Patton .....	D23/411
D551,381 S *	9/2007	Flores .....	D26/81	D626,211 S *	10/2010	Wang .....	D23/411
D551,758 S *	9/2007	Shurtleff .....	D23/411	8,047,795 B2 *	11/2011	Pearce .....	416/210 R
				2007/0258821 A1 *	11/2007	Pearce .....	416/210 R
				2007/0297911 A1 *	12/2007	Brookins .....	416/244 R

\* cited by examiner

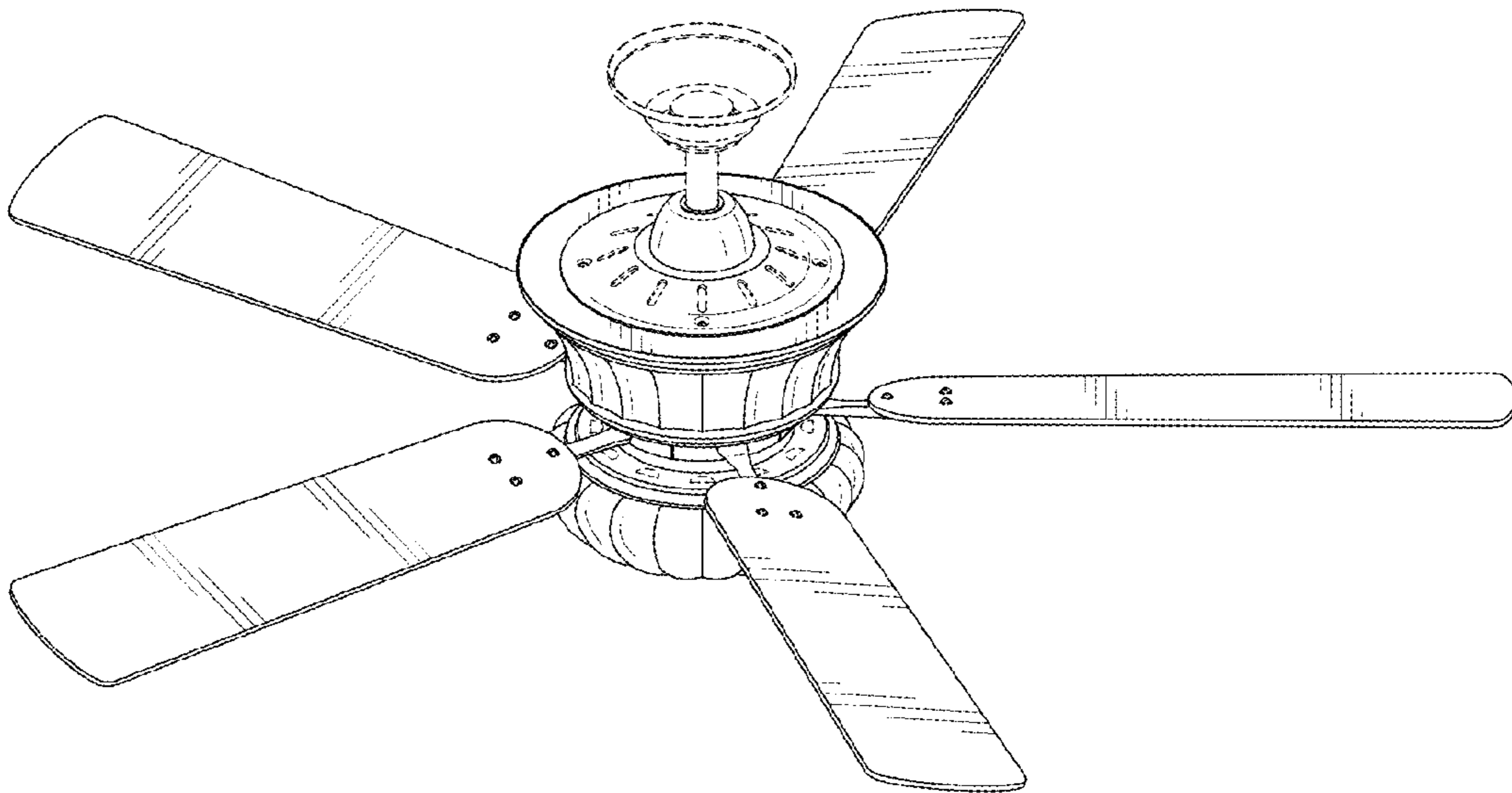


FIG. 1

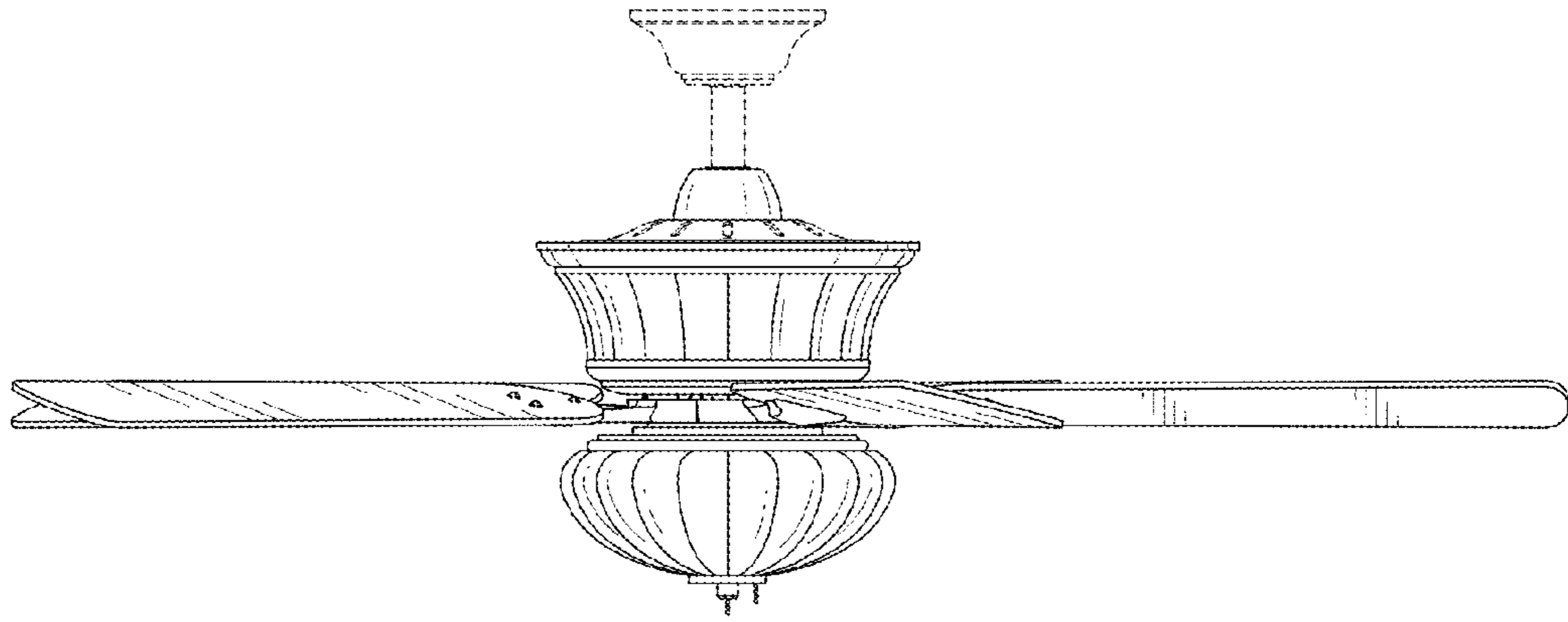


FIG. 2

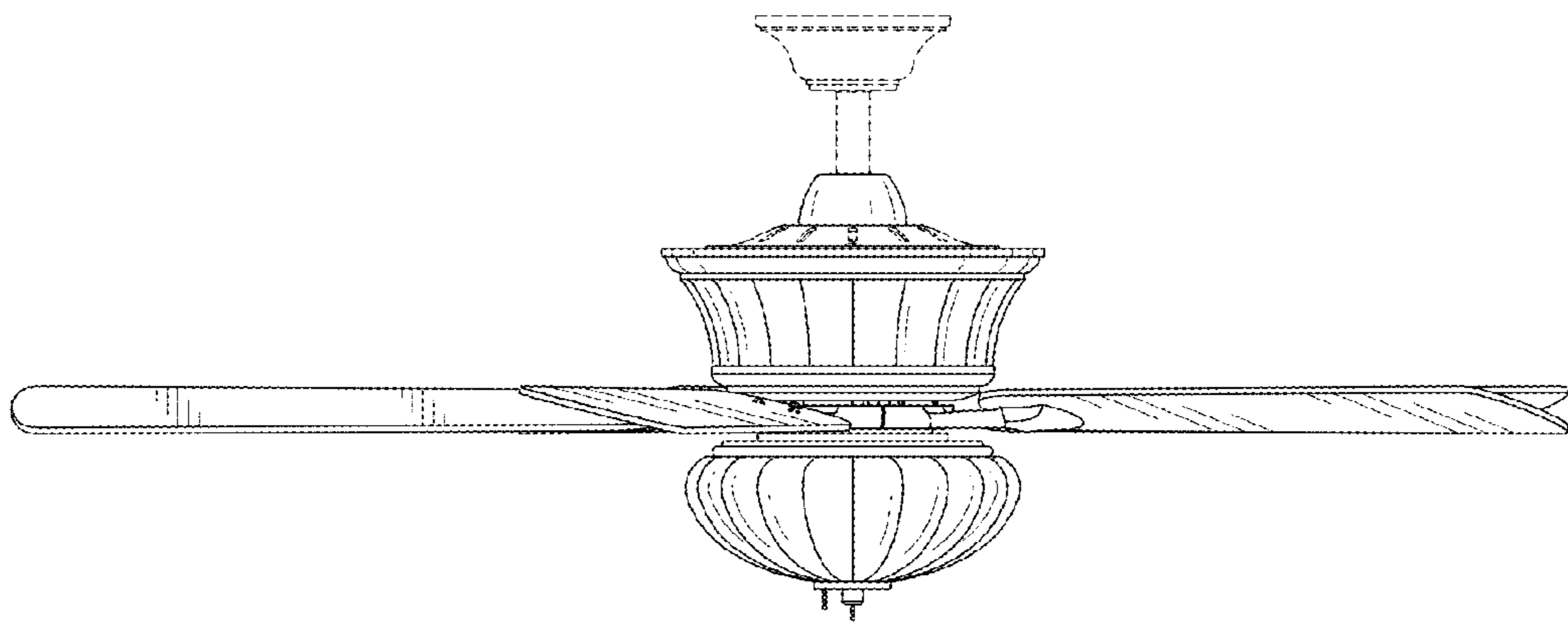


FIG. 3

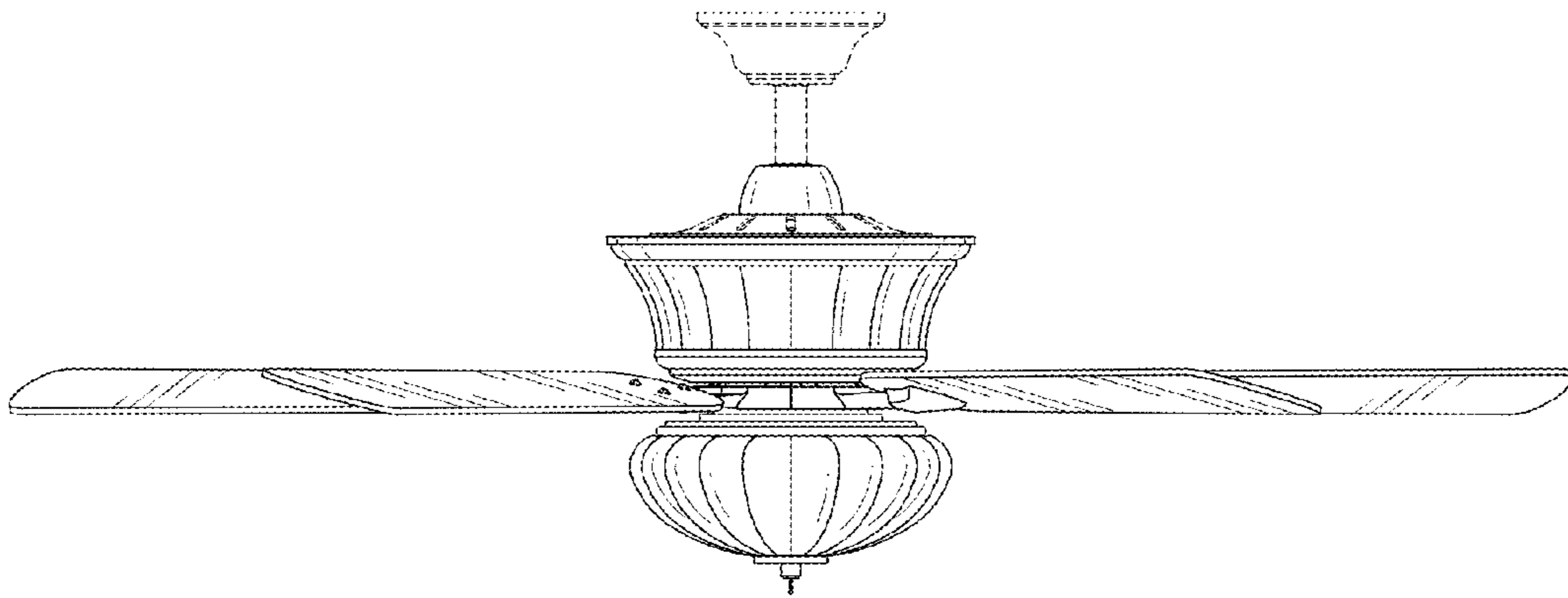


FIG. 4

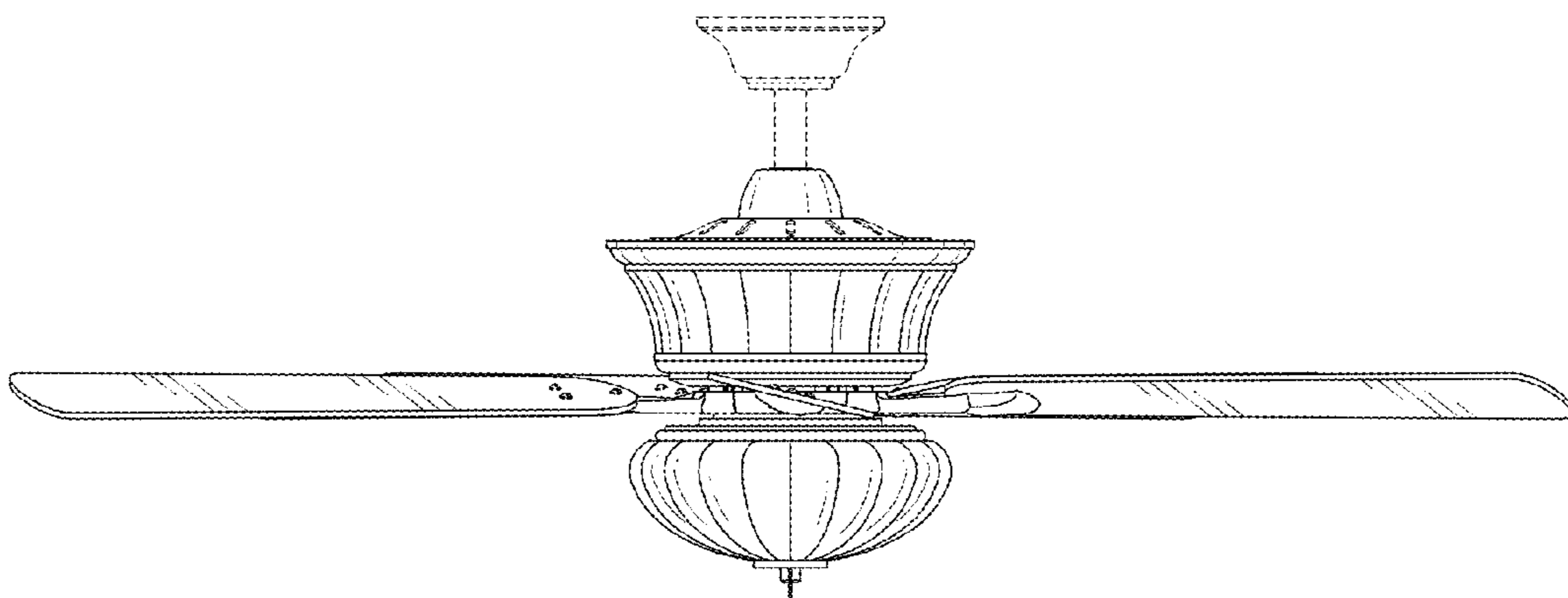


FIG. 5

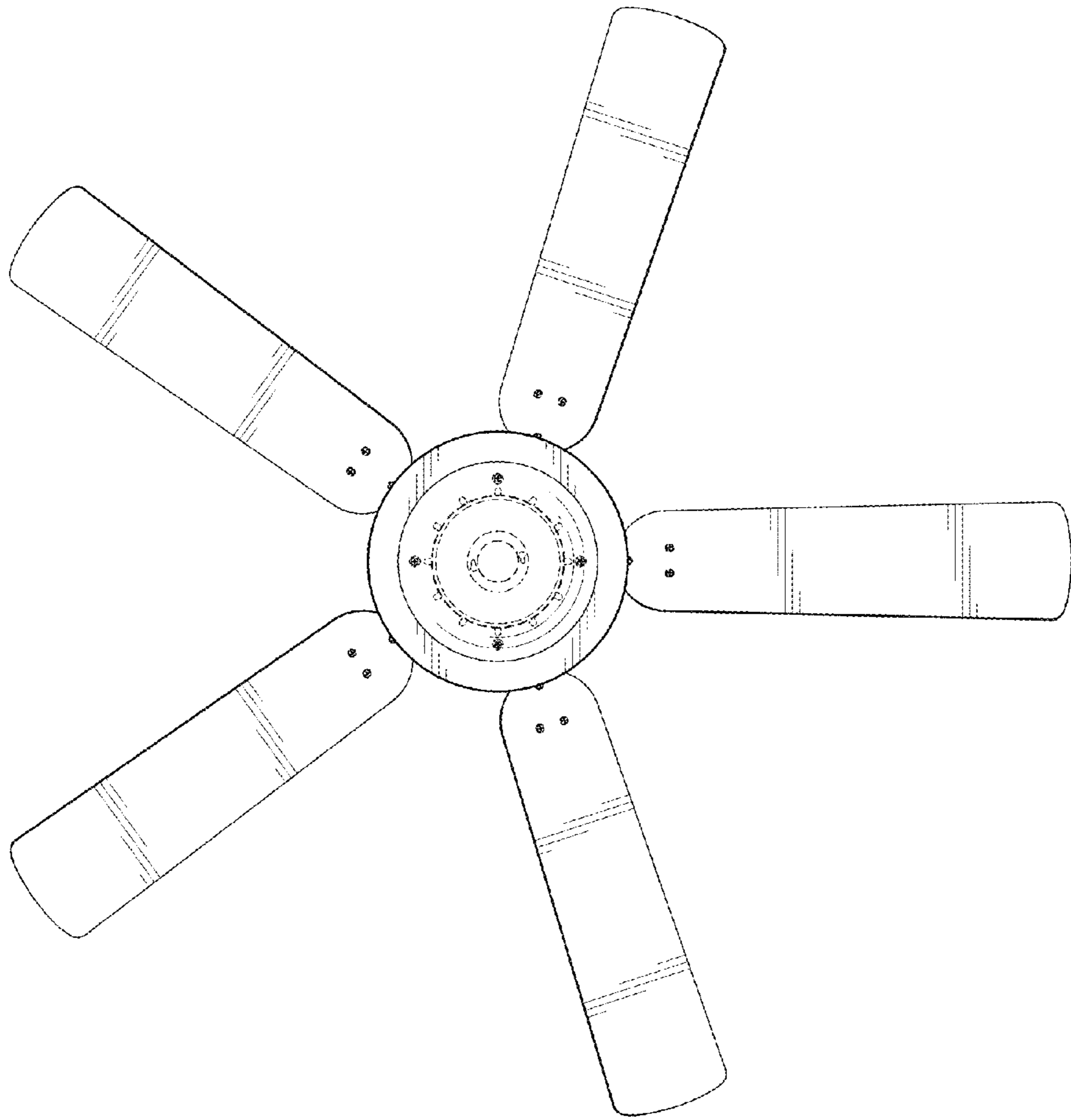


FIG. 6

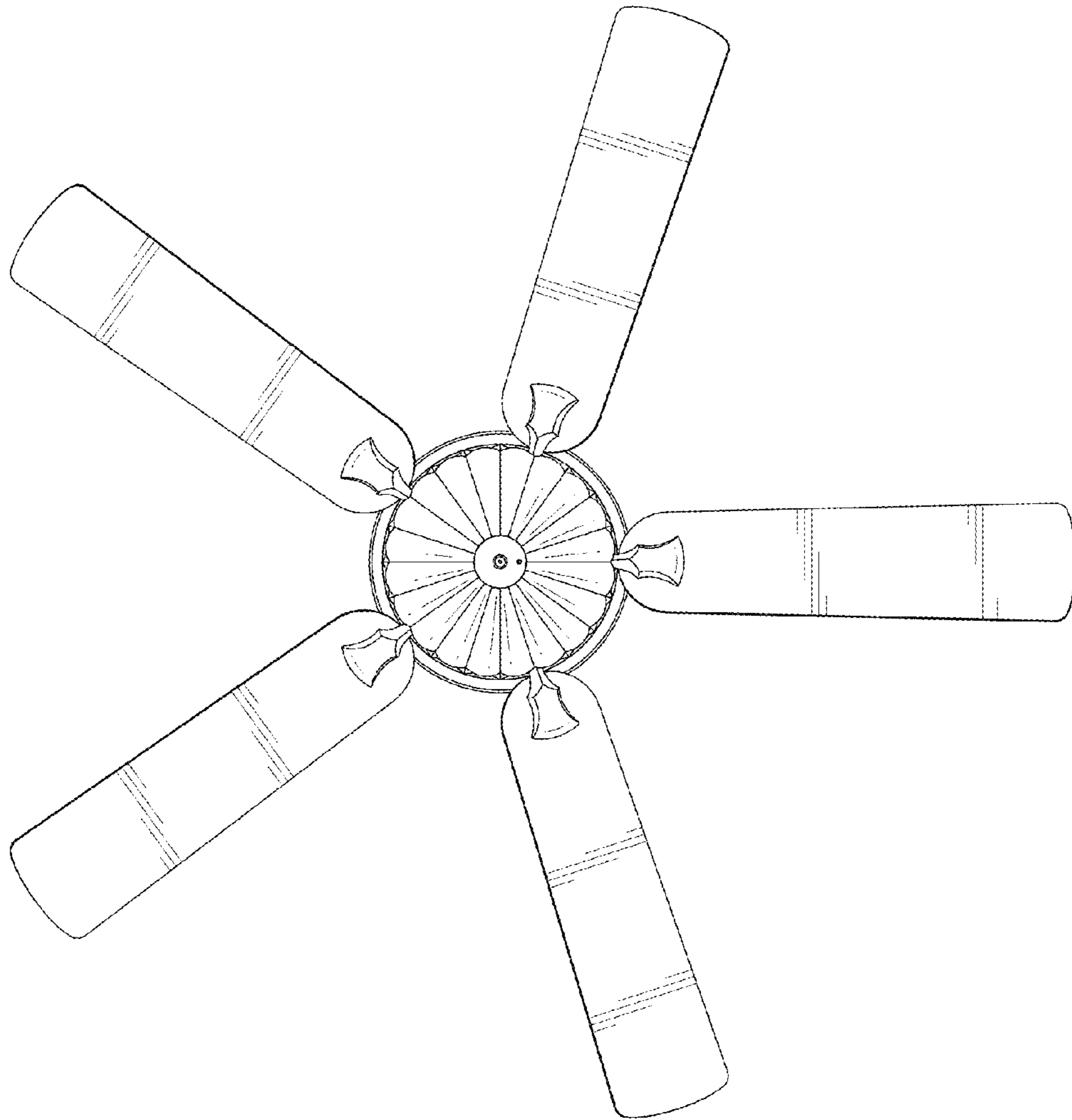


FIG. 7