



US00D706916S

(12) **United States Design Patent**
Penlesky et al.

(10) **Patent No.:** **US D706,916 S**
(45) **Date of Patent:** **** Jun. 10, 2014**

(54) **VENTILATION FAN**
(71) Applicant: **Broan-NuTone LLC**, Hartford, WI (US)
(72) Inventors: **Robert G. Penlesky**, Waukesha, WI (US); **Mirko Zakula**, New Berlin, WI (US); **Kenneth J. Jonas**, Mequon, WI (US); **Corey S. Jacak**, West Bend, WI (US)
(73) Assignee: **Broan-NuTone LLC**, Hartford, WI (US)
(**) Term: **14 Years**
(21) Appl. No.: **29/467,062**
(22) Filed: **Sep. 13, 2013**
(51) **LOC (10) Cl.** **23-04**
(52) **U.S. Cl.**
USPC **D23/370**
(58) **Field of Classification Search**
USPC D23/370-385, 411-414, 365, 364, 328, D23/314, 386-394, 259; 415/60, 66, 68, 415/208.1, 213.1, 214.1; 310/257; 361/695; 126/299 D, 299 R; D26/51, 59, 72, 73; D32/15, 16; 416/189; D13/179; 454/358-368; D25/199; 285/13, 43, 285/44; 52/58, 219
See application file for complete search history.

D452,905 S * 1/2002 Peng D23/370
D452,906 S * 1/2002 Peng D23/370
D499,505 S * 12/2004 Benensohn D26/89
D514,732 S * 2/2006 Benensohn D26/89
D530,808 S * 10/2006 Sinur et al. D23/385
D531,301 S * 10/2006 Sinur et al. D23/385
D533,956 S * 12/2006 Vladika D26/118
D595,830 S * 7/2009 Deng D23/372
D665,225 S * 8/2012 Zakula et al. D7/409
D673,712 S * 1/2013 Patel D26/74
D693,952 S * 11/2013 Soni D26/74

* cited by examiner

Primary Examiner — Susan Bennett Hattan

Assistant Examiner — Janice Hallmark

(74) *Attorney, Agent, or Firm* — Greenberg Traurig, LLP

(57) **CLAIM**

We claim the ornamental design for a ventilation fan, as shown and described.

DESCRIPTION

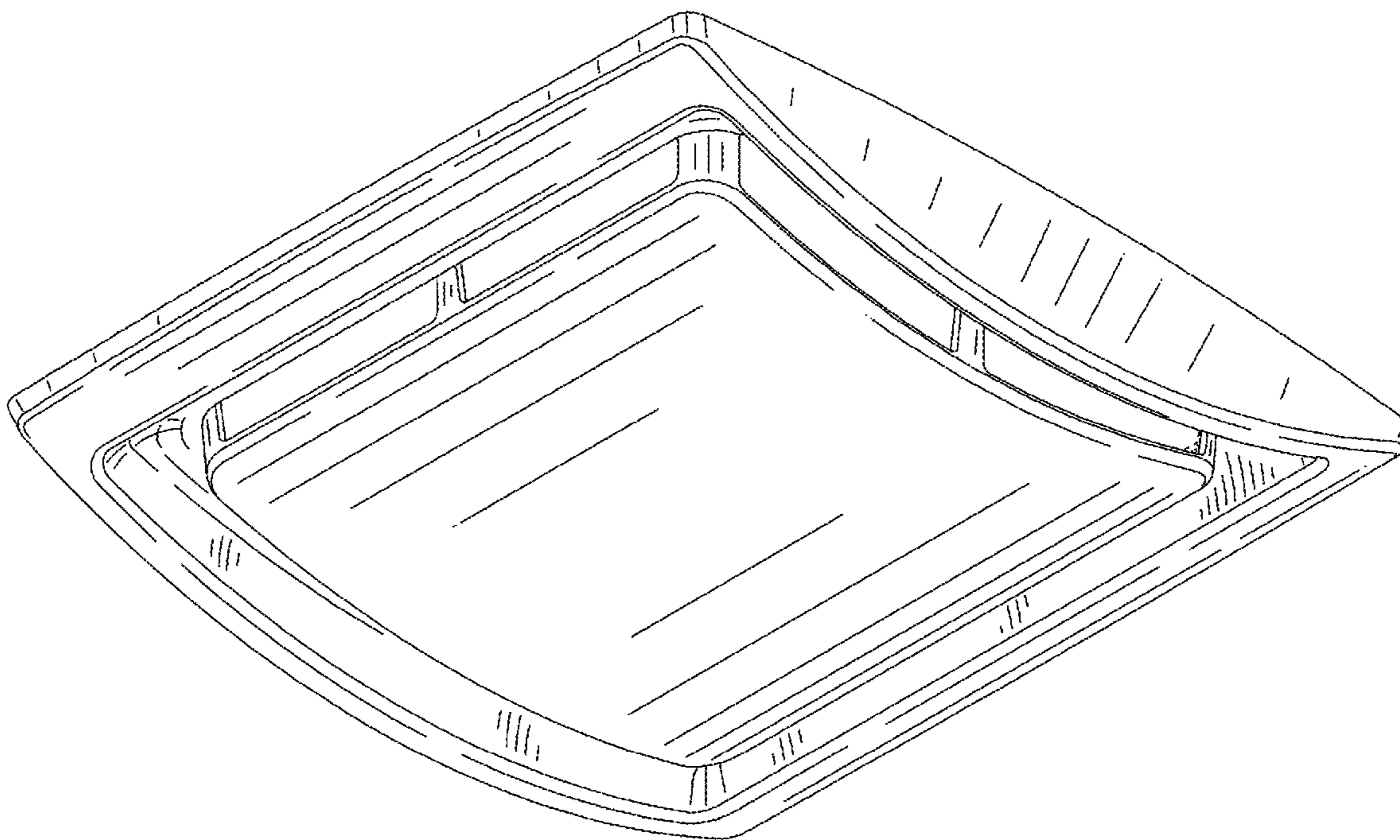
FIG. 1 is a top perspective view of a ventilation fan; FIG. 2 is a top view of a ventilation fan of FIG. 1; FIG. 3 is a front side view of a ventilation fan of FIG. 1; FIG. 4 is a side view of a ventilation fan of FIG. 1; and, FIG. 5 is a bottom view of a ventilation fan of FIG. 1. The features shown in broken lines depict environmental subject matter only and form no part of the claimed design.

(56) **References Cited**

U.S. PATENT DOCUMENTS

D452,904 S * 1/2002 Peng D23/370

1 Claim, 3 Drawing Sheets



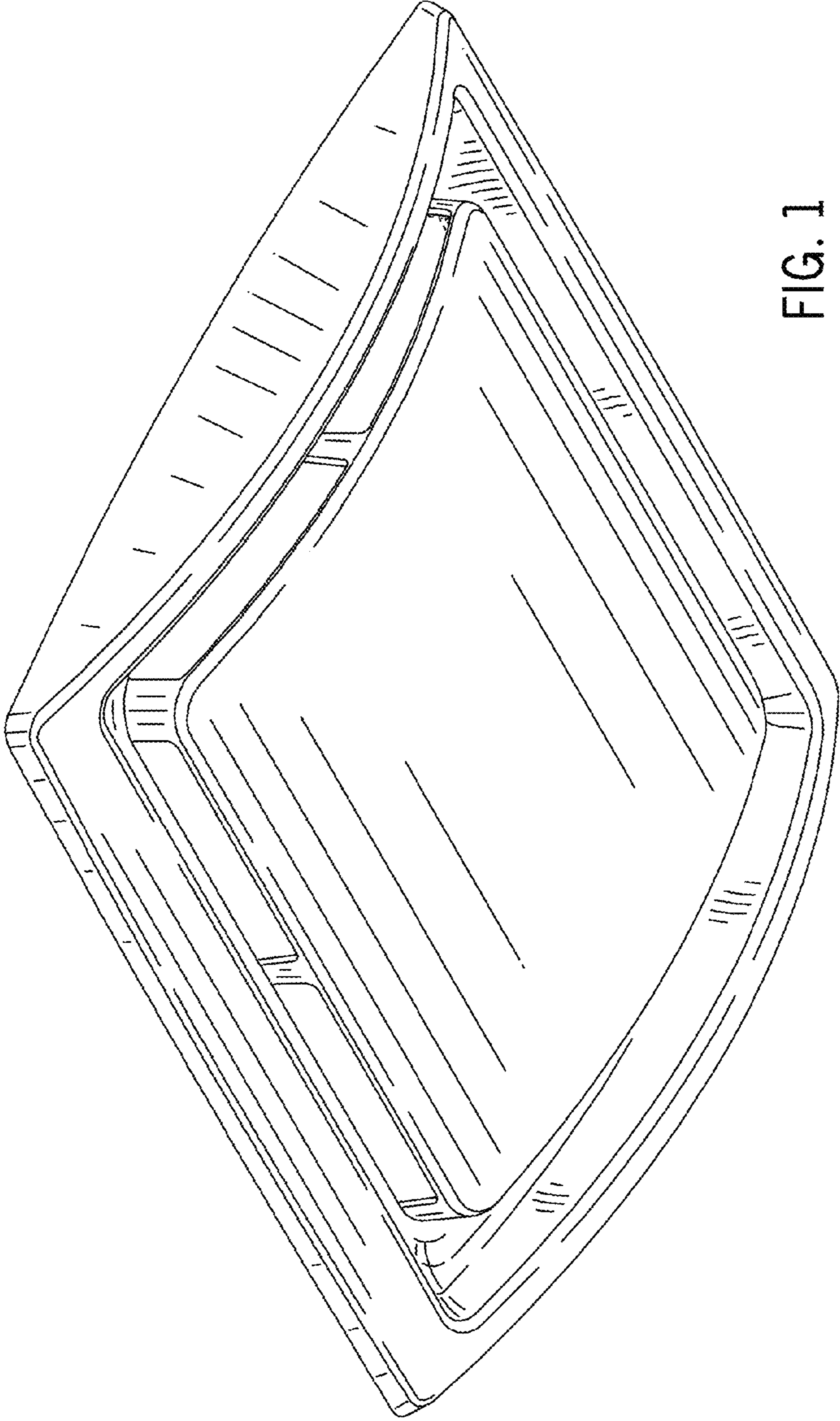


FIG. 1

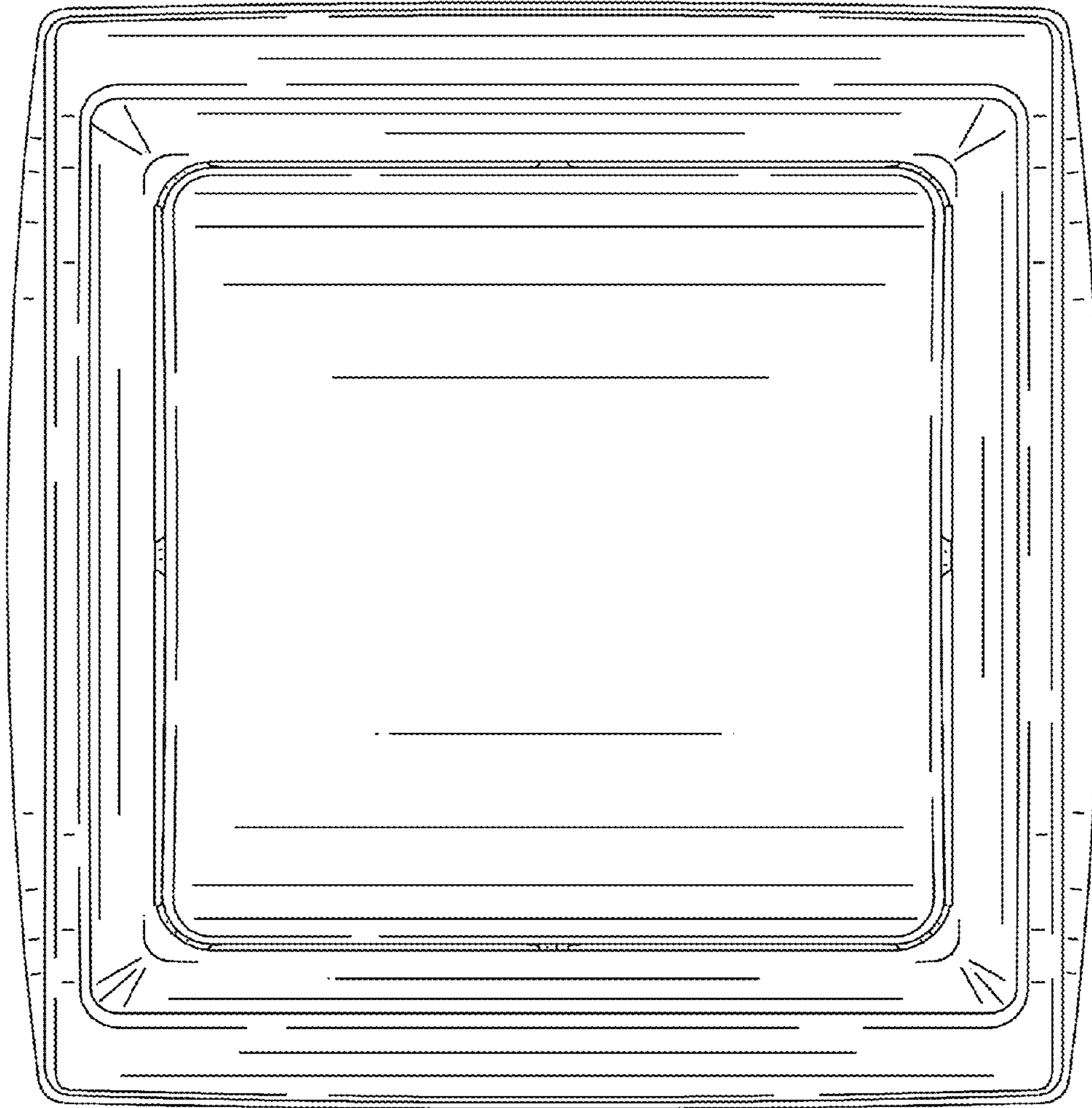


FIG. 2

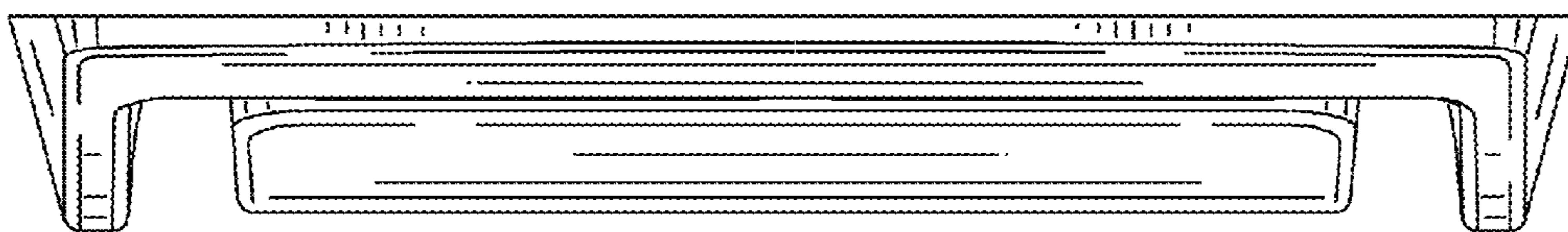


FIG. 3

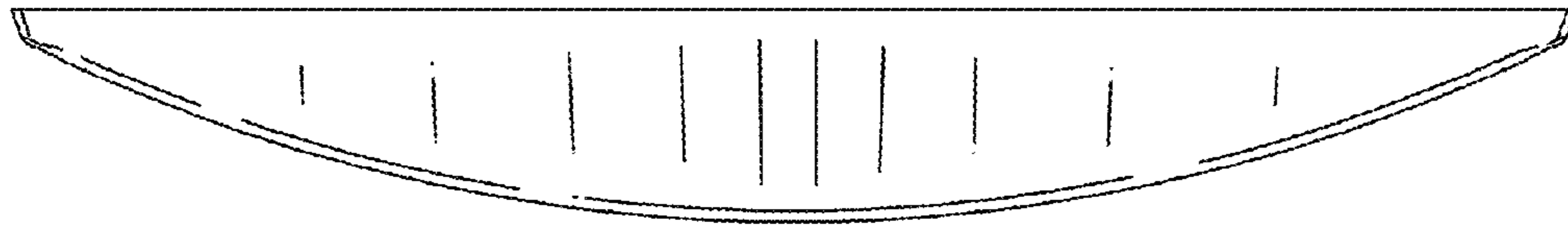


FIG. 4

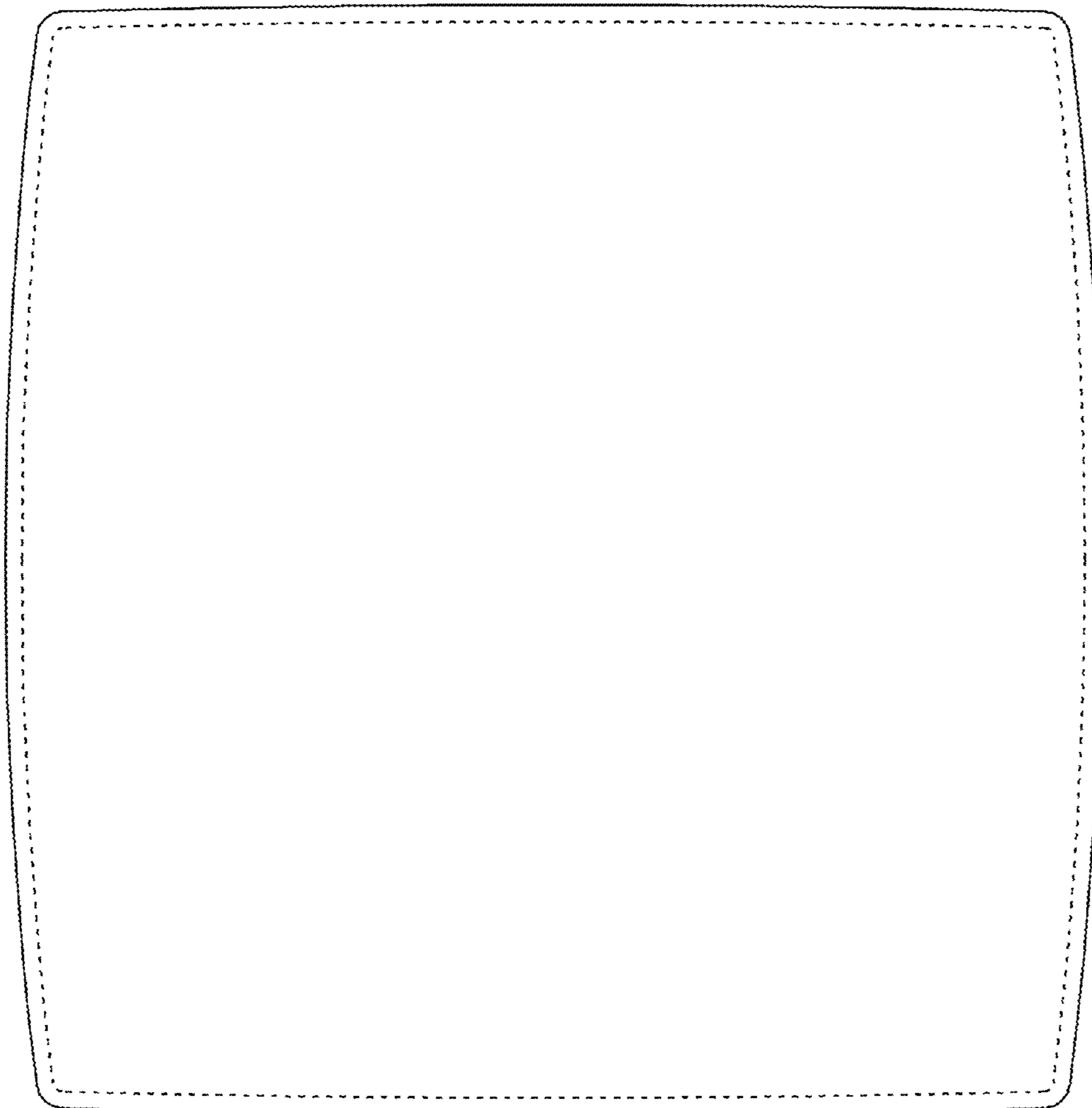


FIG. 5