



US00D706907S

(12) **United States Design Patent**  
**Snelling**

(10) **Patent No.:** **US D706,907 S**  
(45) **Date of Patent:** **\*\* Jun. 10, 2014**

(54) **POOLSIDE GRATE MEMBER**

(56) **References Cited**

(75) Inventor: **Peter Snelling**, West Lakes (AU)

U.S. PATENT DOCUMENTS

(73) Assignee: **Hydrotech Pty Ltd.** (AU)

2,071,674 A \* 2/1937 Whitlock ..... 52/507  
D385,361 S \* 10/1997 Arensdorf et al. .... D25/48.8  
5,718,094 A \* 2/1998 Meurer ..... 52/656.8  
D421,643 S \* 3/2000 Mauk ..... D23/261

(\*\*) Term: **14 Years**

\* cited by examiner

(21) Appl. No.: **29/427,807**

*Primary Examiner* — Doris Clark

(22) Filed: **Jul. 23, 2012**

(74) *Attorney, Agent, or Firm* — Akerman LLP

(51) **LOC (10) Cl.** ..... **23-01**

(57) **CLAIM**

The ornamental design of a poolside grate member, as shown and described.

(52) **U.S. Cl.**

**DESCRIPTION**

USPC ..... **D23/261**; D25/48.8

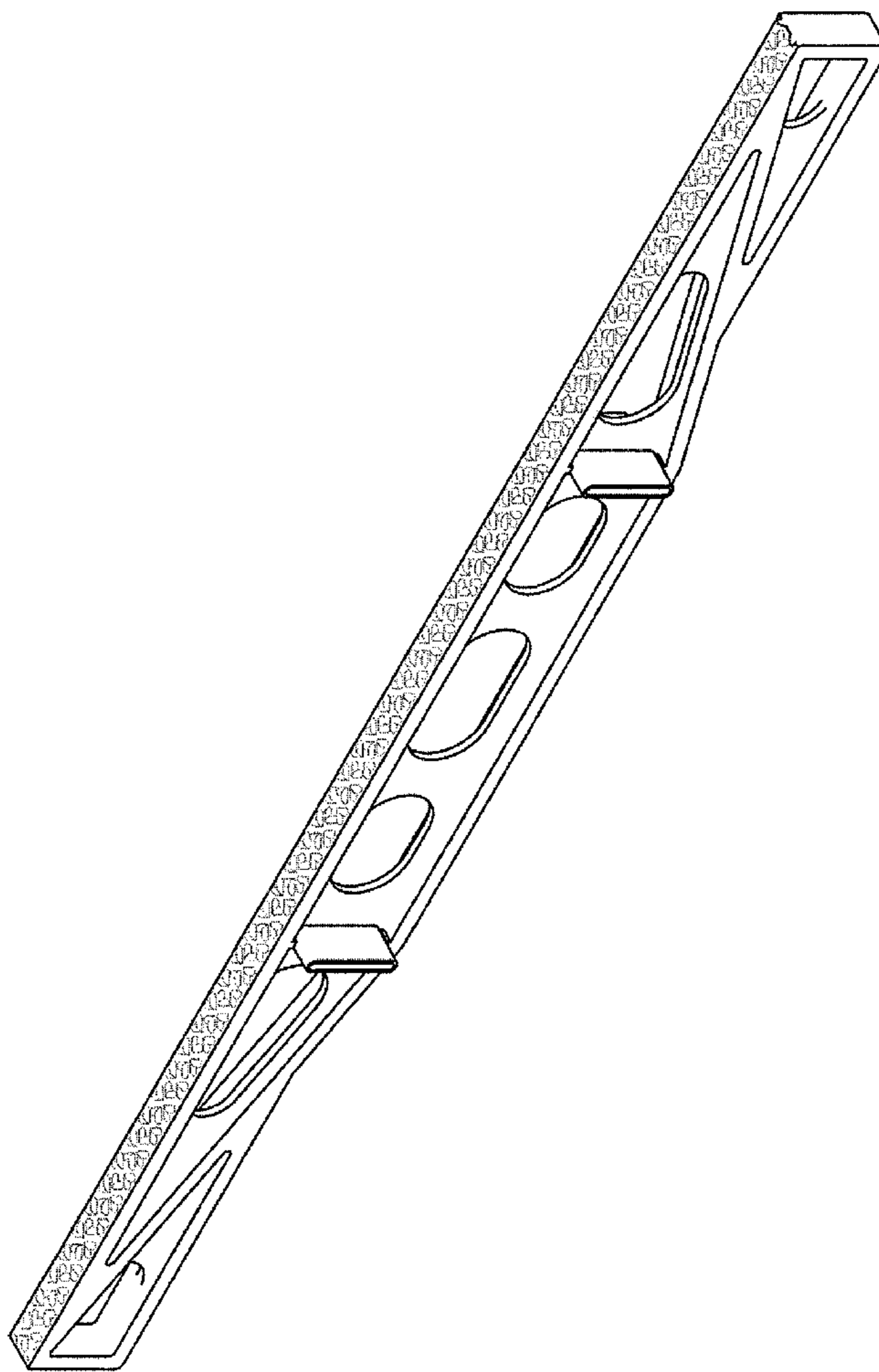
(58) **Field of Classification Search**

USPC ..... D25/48.8; D23/261; 405/39, 40, 87;  
4/507; 49/50; 52/656.8, 169.5, 169.7,  
52/169.6

FIG. 1 is a top view of a poolside grate member;  
FIG. 2 is a left side view thereof;  
FIG. 3 is a right side view thereof;  
FIG. 4 is a perspective view thereof;  
FIG. 5 is a left end view thereof;  
FIG. 6 is a right end view thereof; and,  
FIG. 7 is a bottom view thereof.

See application file for complete search history.

**1 Claim, 7 Drawing Sheets**



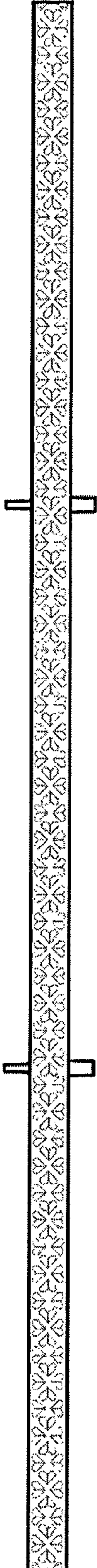


Figure 1

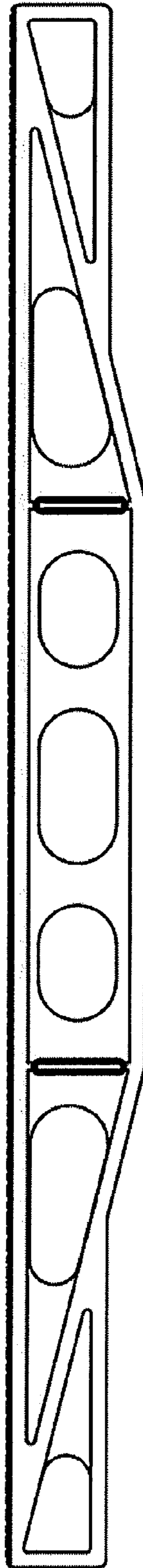


Figure 2

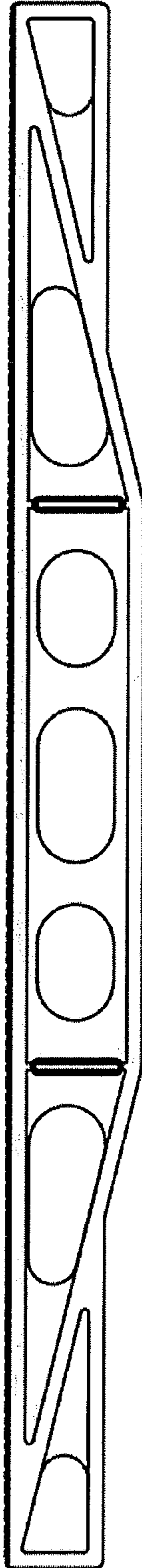


Figure 3

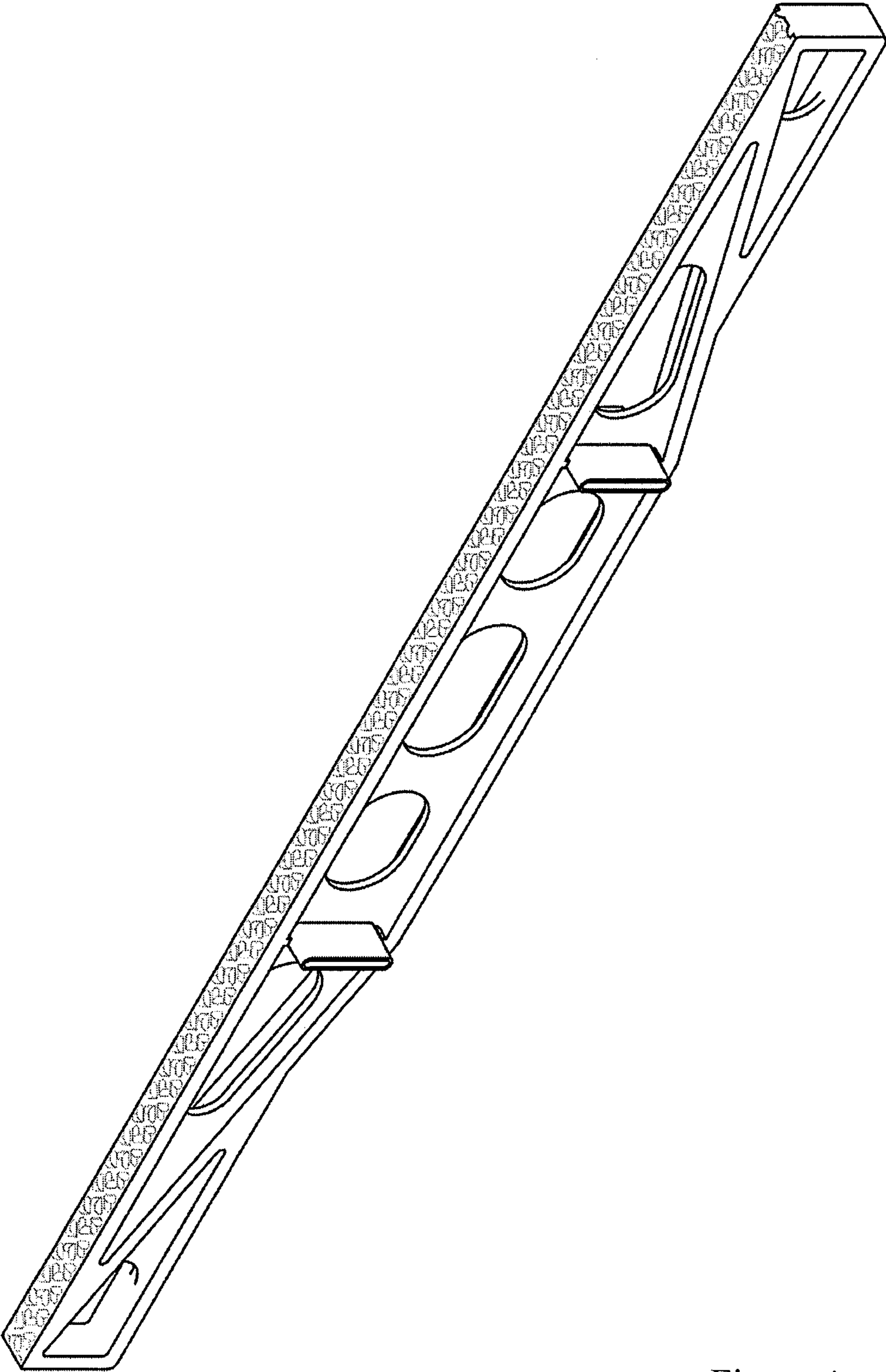


Figure 4

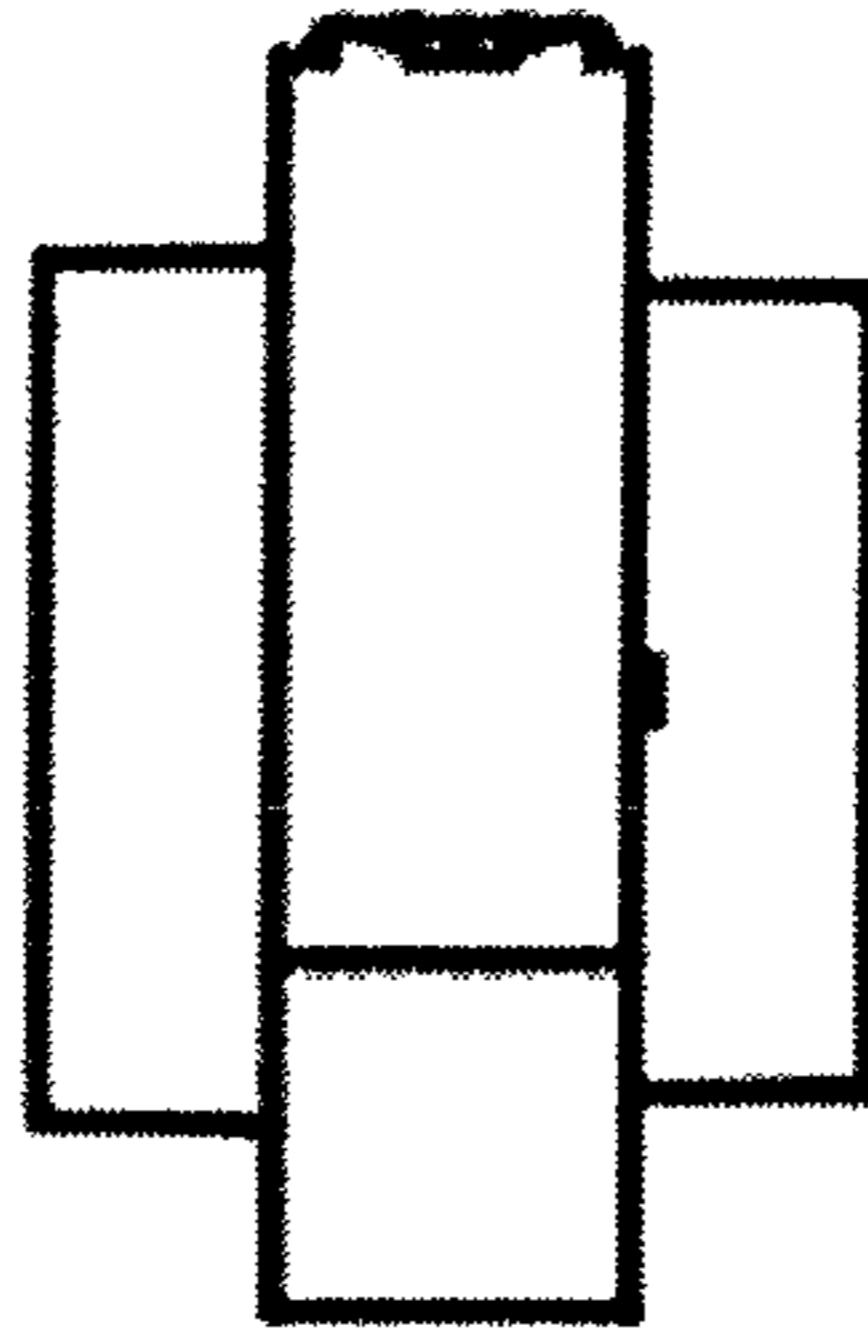


Figure 5

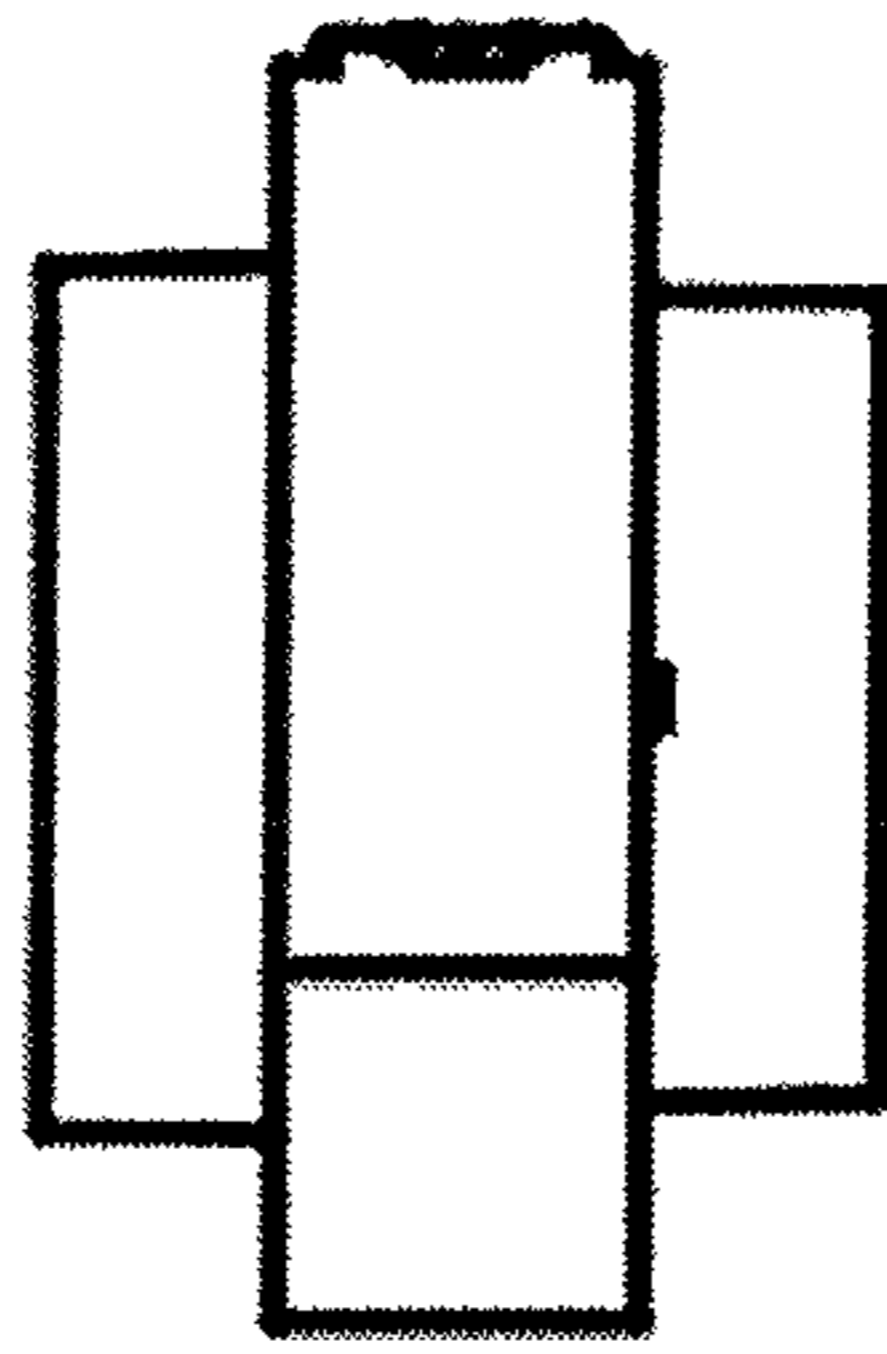


Figure 6

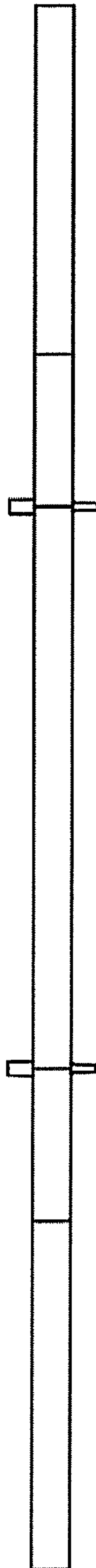


Figure 7