

US00D706904S

(12) **United States Design Patent**
Faraon Chaul Huerta

(10) **Patent No.:** **US D706,904 S**
(45) **Date of Patent:** **** Jun. 10, 2014**

(54) **WATER-FLOW REGULATOR**
(71) Applicant: **Adma Elena Faraon Chaul Huerta,**
Mexico (MX)
(72) Inventor: **Adma Elena Faraon Chaul Huerta,**
Mexico (MX)

D632,367 S * 2/2011 Stein D23/249
D641,838 S * 7/2011 Grether D23/249
8,109,449 B2 * 2/2012 Weis et al. 239/428.5
D678,480 S * 3/2013 Blum D23/249
D688,773 S * 8/2013 Stein D23/213
2013/0075639 A1 * 3/2013 Beneker et al. 251/129.15
2013/0082122 A1 * 4/2013 Stein 239/428.5

(**) Term: **14 Years**
(21) Appl. No.: **29/451,521**
(22) Filed: **Apr. 3, 2013**

FOREIGN PATENT DOCUMENTS

JP 2007071979 * 11/2007

* cited by examiner

Primary Examiner — Cynthia Ramirez

(30) **Foreign Application Priority Data**
Oct. 4, 2012 (MX) MX/f/2012/003180

(74) *Attorney, Agent, or Firm* — Harness, Dickey & Pierce,
P.L.C.

(51) **LOC (10) Cl.** **23-01**
(52) **U.S. Cl.**
USPC **D23/233**

(57) **CLAIM**

The ornamental design for a water-flow regulator, as shown
and described.

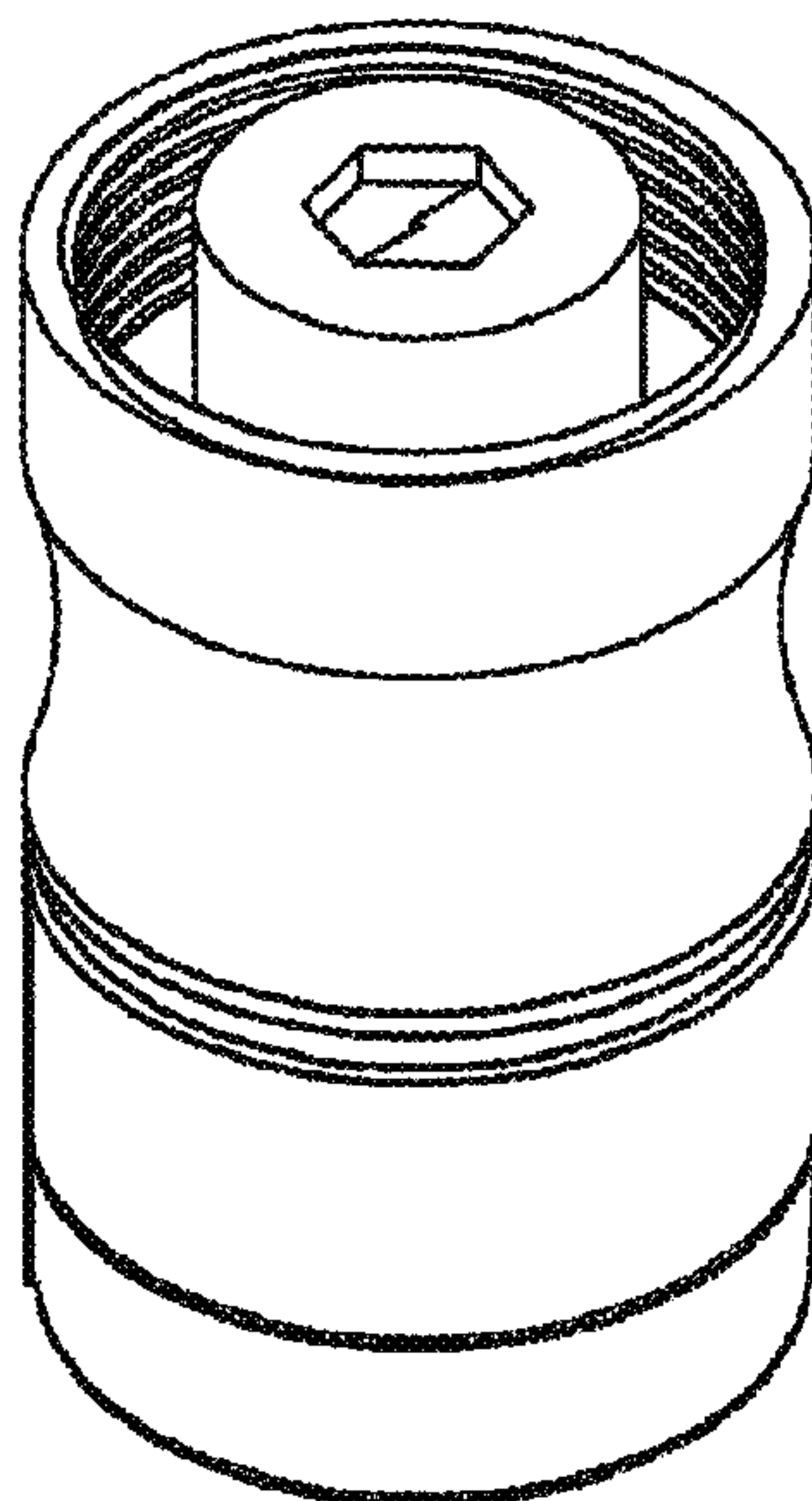
(58) **Field of Classification Search**
USPC D23/233–237, 244–249; 138/37, 40,
138/41, 42; 239/3, 428.5, 552, 553, 553.5,
239/437; 137/15.18, 15.19, 218, 356
See application file for complete search history.

DESCRIPTION

FIG. 1 is a front perspective view of a water flow regulator
showing the new design;
FIG. 2 is a front elevational view thereof;
FIG. 3 is a rear elevational view thereof;
FIG. 4 is a left side elevational view thereof;
FIG. 5 is a right side elevational view thereof;
FIG. 6 is a top plan view thereof;
FIG. 7 is a bottom plan view thereof; and,
FIG. 8 is an exploded view thereof.
The broken line showing in FIG. 8 is included for the purpose
of illustrating elements of the water-flow regulator and forms
no part of the claimed design.

(56) **References Cited**
U.S. PATENT DOCUMENTS
3,183,924 A * 5/1965 Duchin 137/218
4,244,526 A * 1/1981 Arth 239/533.1
4,867,200 A * 9/1989 Markley 137/515.7
D483,096 S * 12/2003 Gotoh et al. D23/262
D518,874 S * 4/2006 Takeda et al. D23/233
D533,923 S * 12/2006 Grether D23/249
D594,530 S * 6/2009 Bonnell D23/233

1 Claim, 5 Drawing Sheets



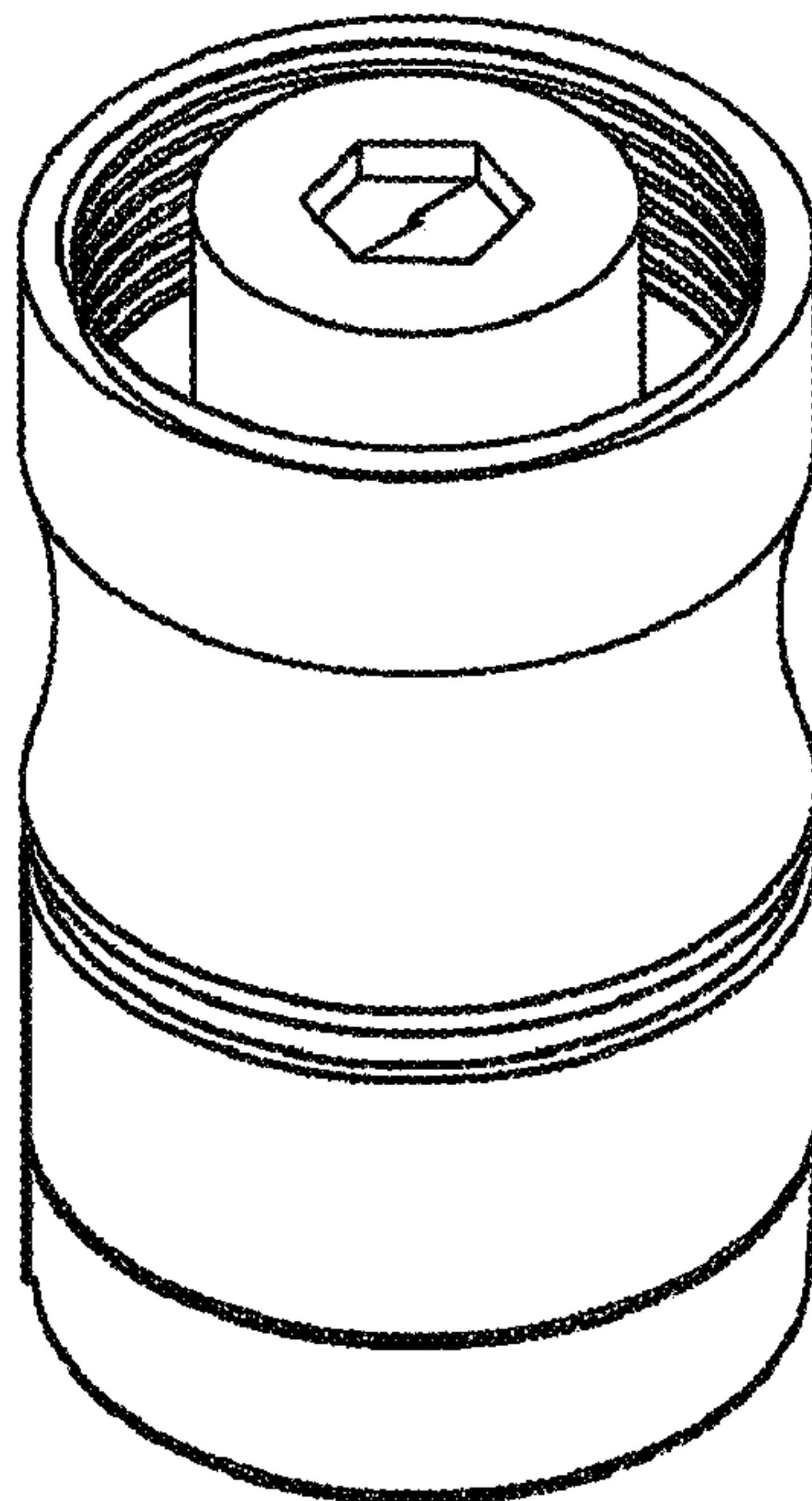


FIG. 1

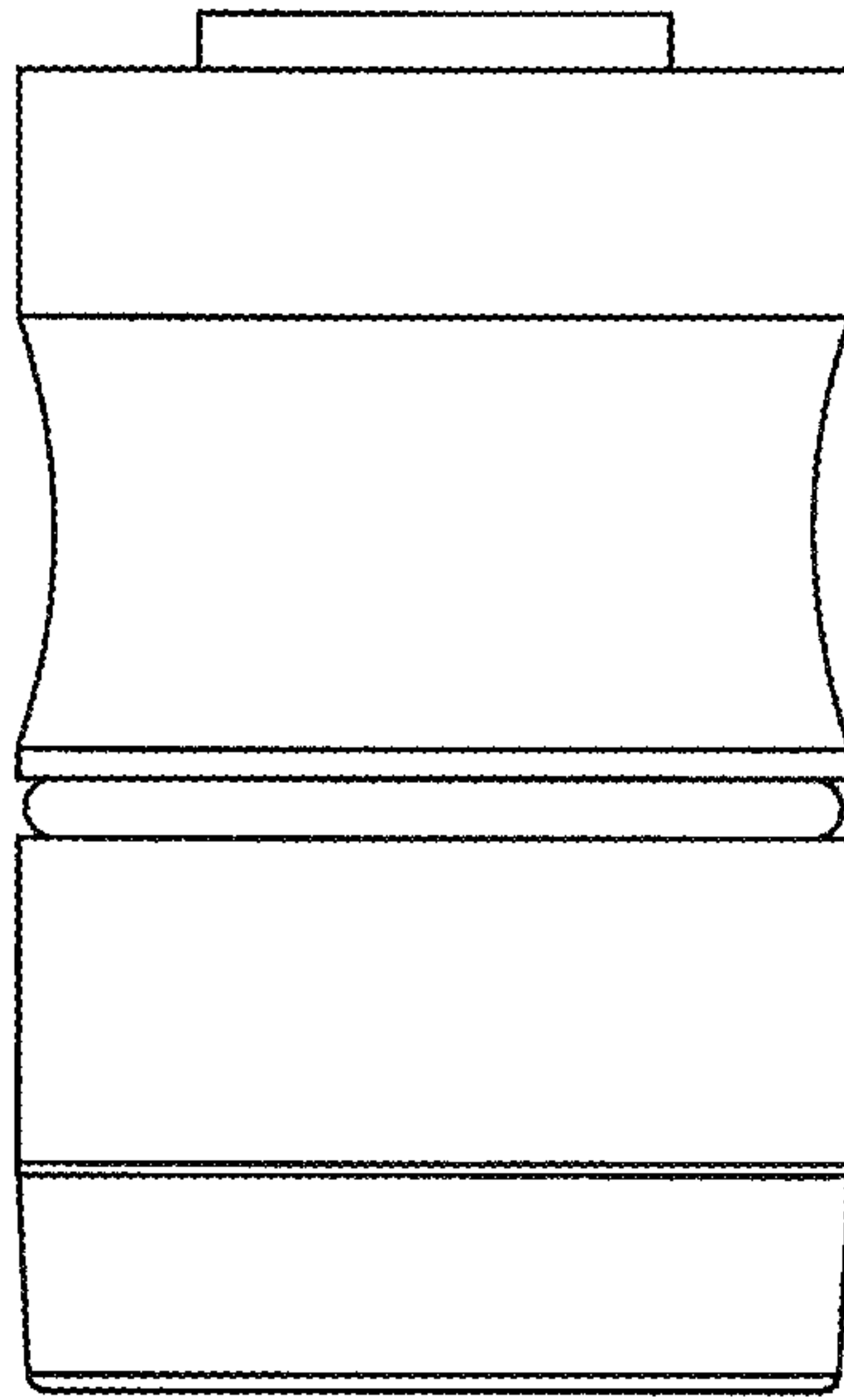


FIG. 2

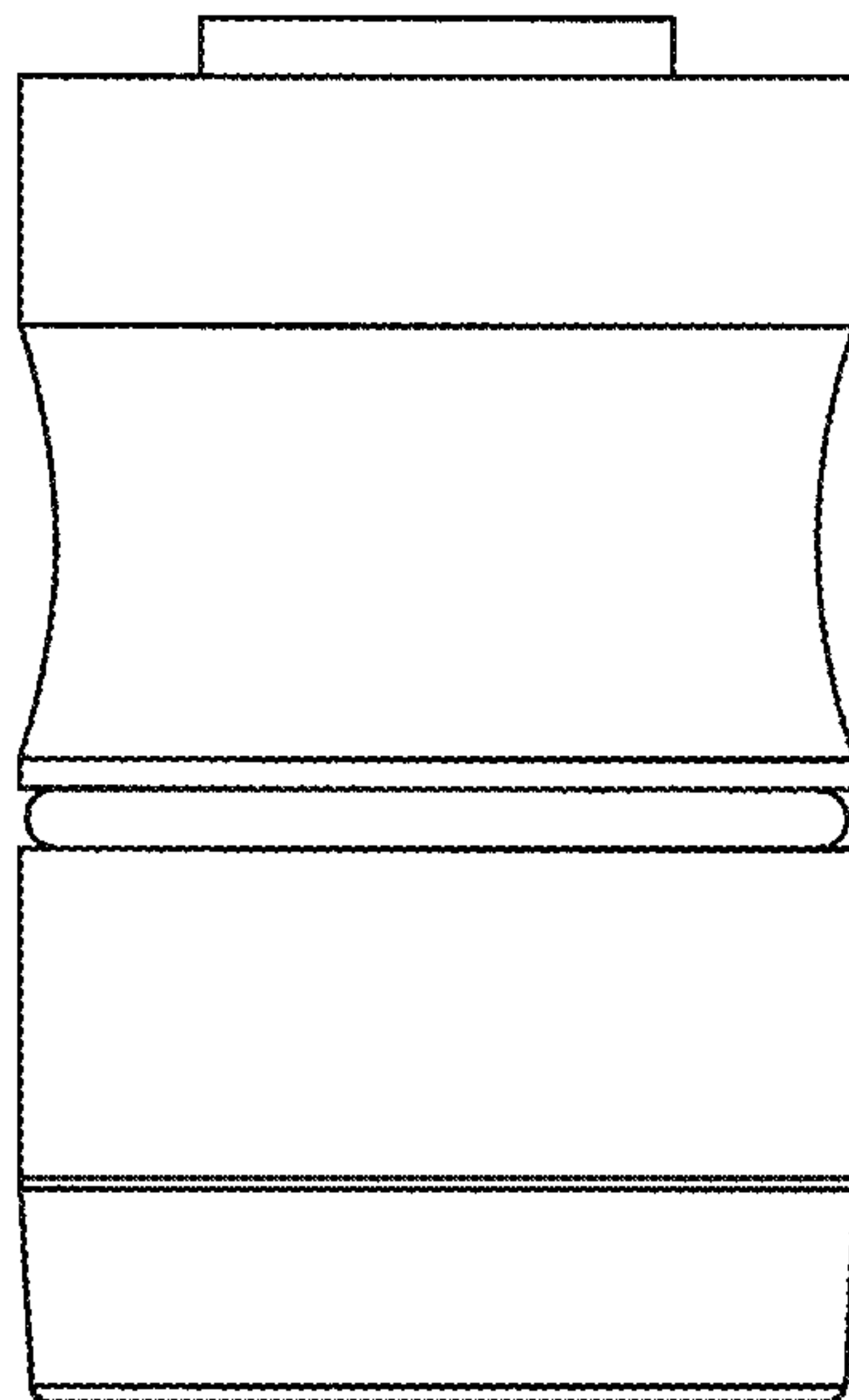


FIG. 3

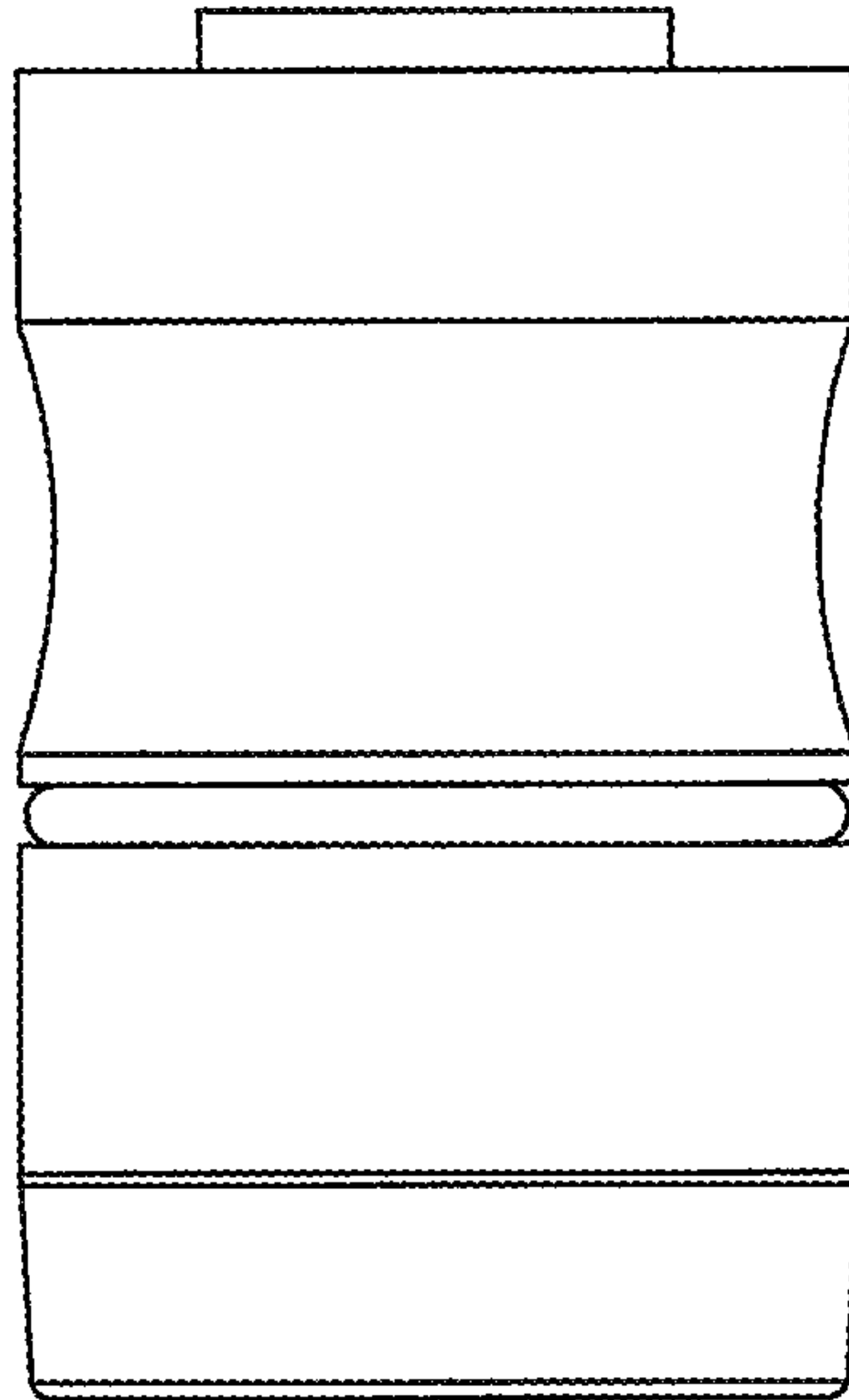


FIG. 4

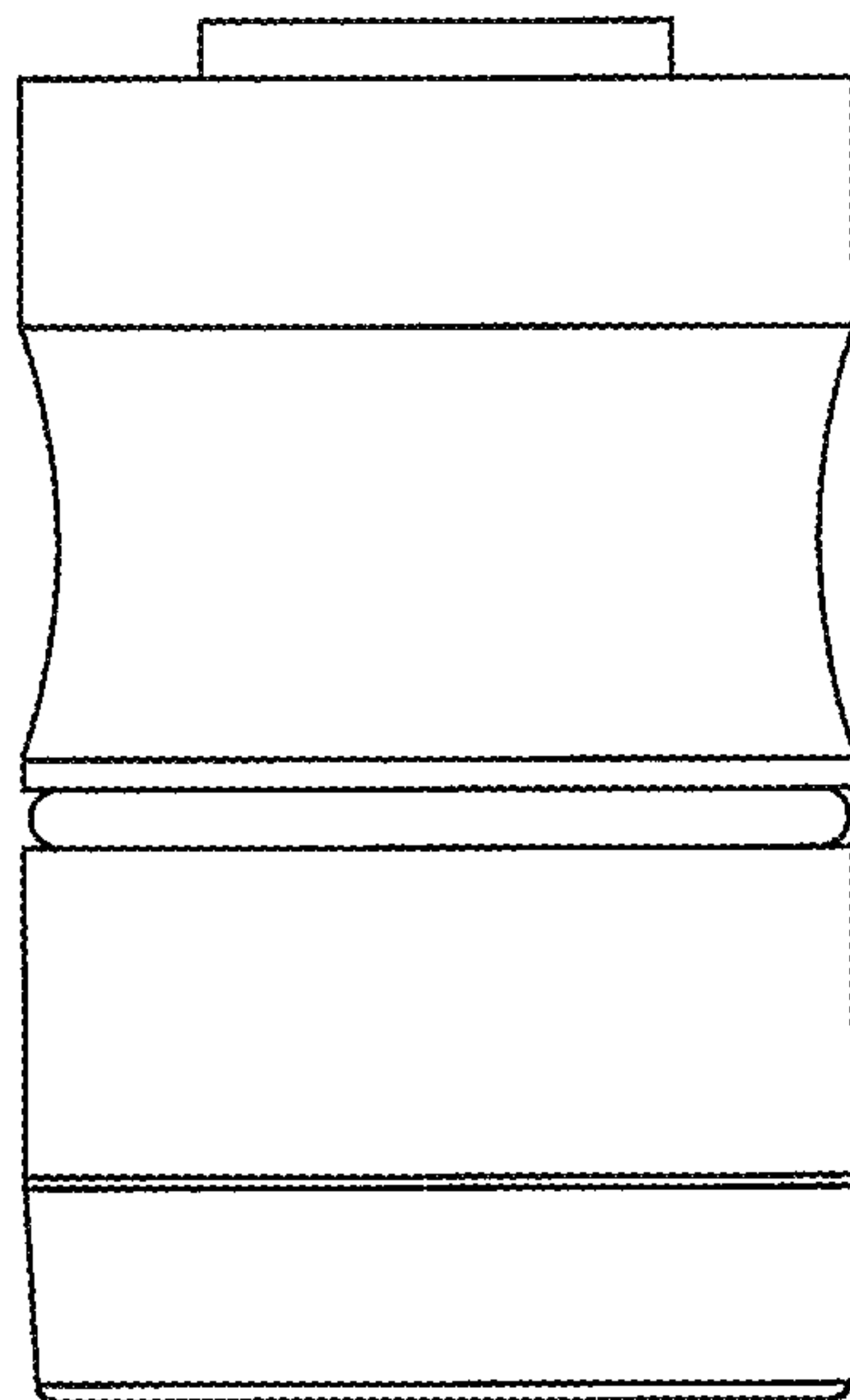


FIG. 5

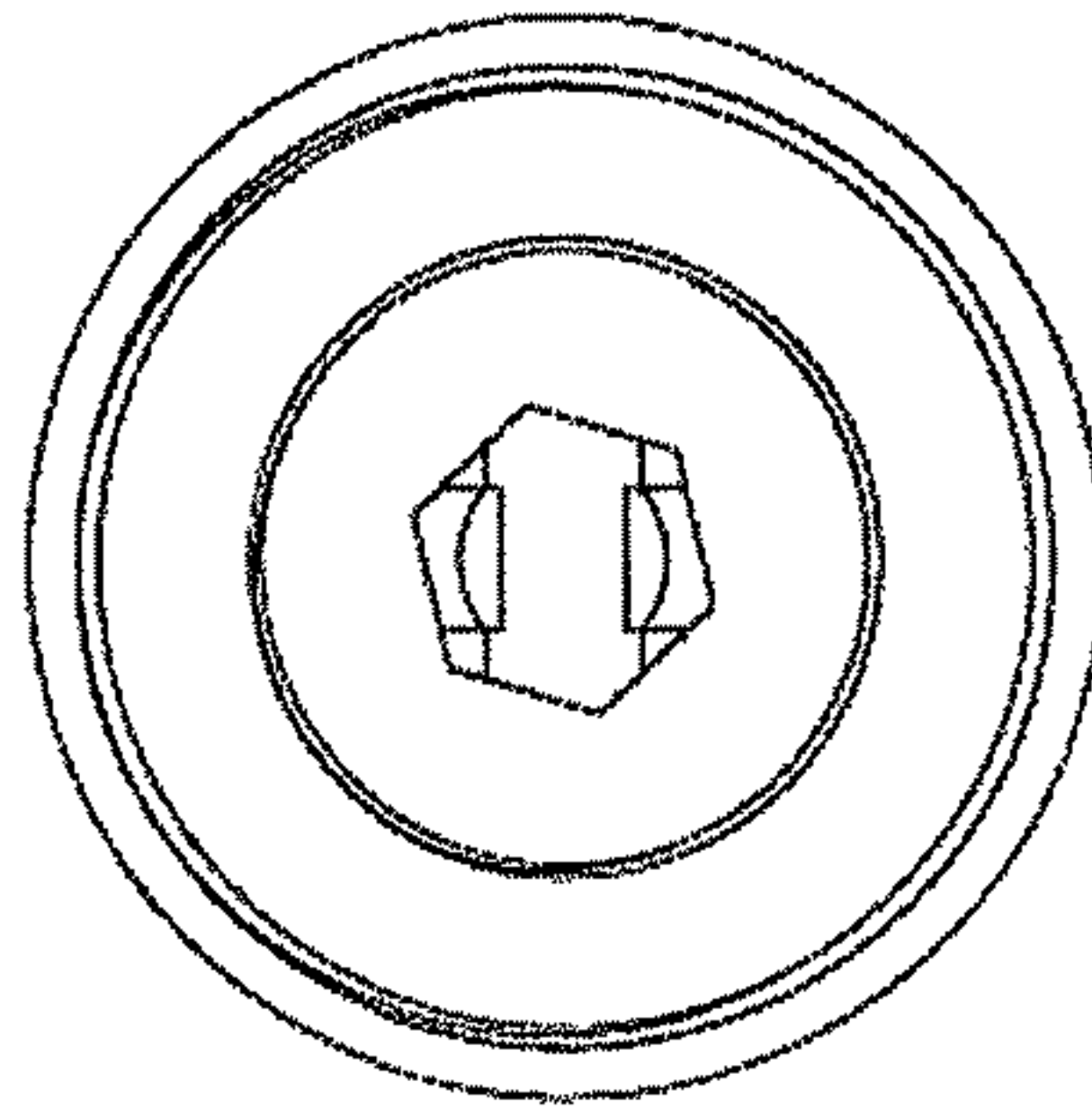


FIG. 6

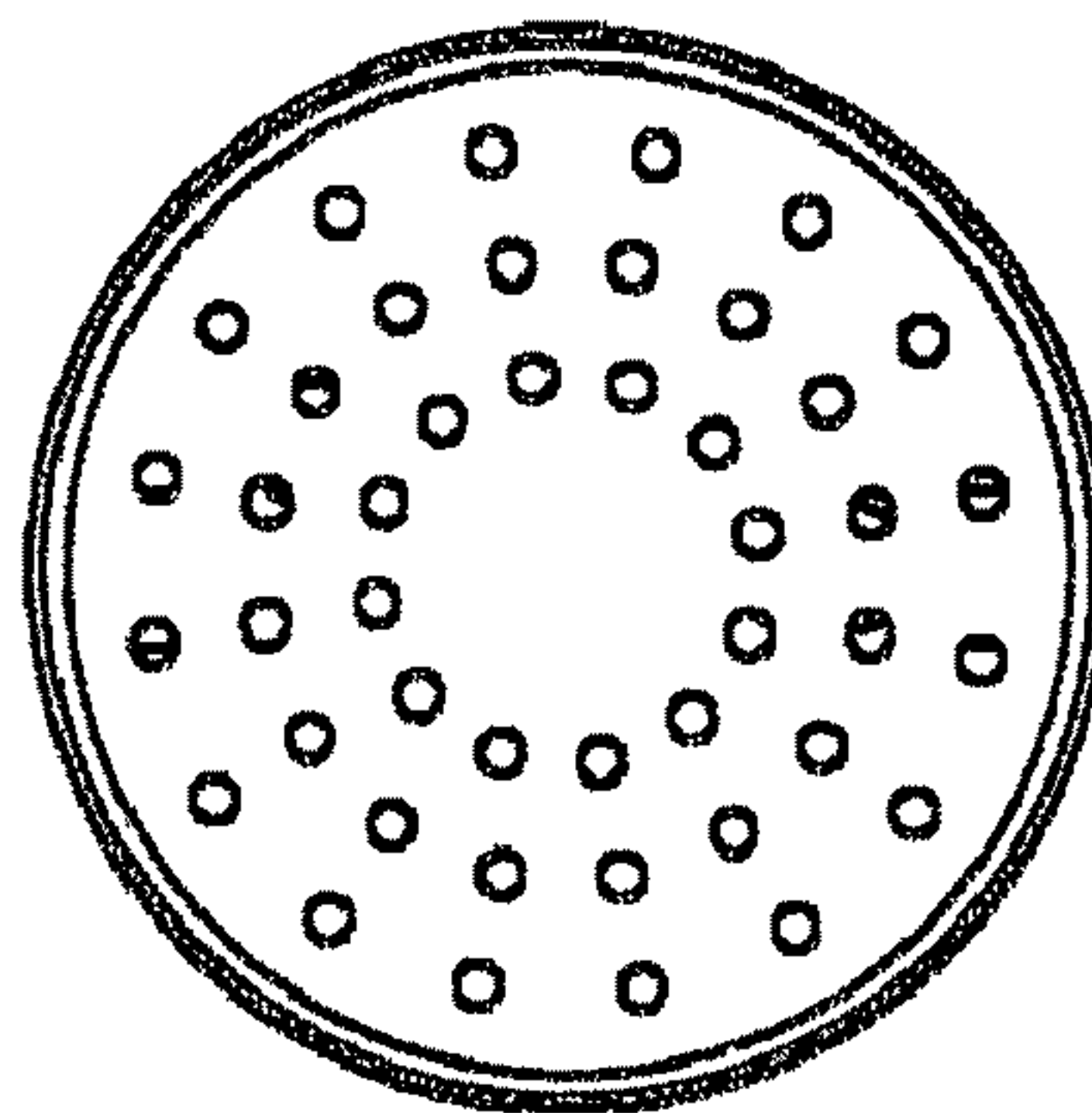


FIG. 7

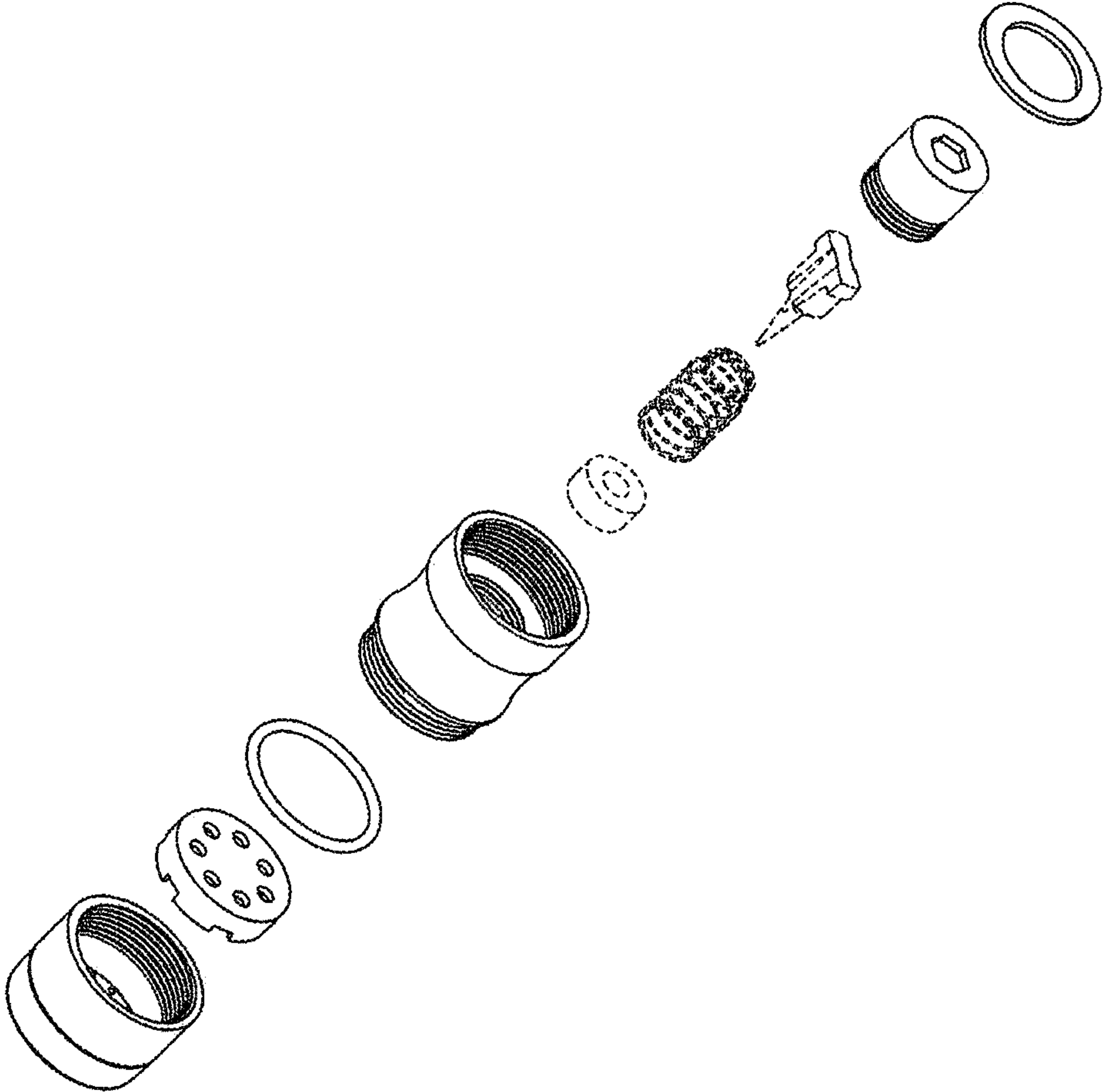


FIG. 8