



US00D706902S

(12) **United States Design Patent**
Batten et al.

(10) **Patent No.:** **US D706,902 S**
(45) **Date of Patent:** **** Jun. 10, 2014**

(54) **FAT, OIL, AND GREASE WASTE REMOVAL UNIT**

(71) Applicants: **William C. Batten**, Asheboro, NC (US);
Bruce W. Kyles, Asheboro, NC (US);
Brad Forrest, Cary, NC (US)

(72) Inventors: **William C. Batten**, Asheboro, NC (US);
Bruce W. Kyles, Asheboro, NC (US);
Brad Forrest, Cary, NC (US)

(73) Assignee: **Thermaoc, Inc.**, Asheboro, NC (US)

(**) Term: **14 Years**

(21) Appl. No.: **29/437,682**

(22) Filed: **Nov. 20, 2012**

(51) **LOC (10) Cl.** **23-01**

(52) **U.S. Cl.**
USPC **D23/207**

(58) **Field of Classification Search**
USPC D23/207, 209; 210/532.1, 540, 776,
210/800

See application file for complete search history.

(56) **References Cited**

U.S. PATENT DOCUMENTS

D328,329 S *	7/1992	Wilkes	D23/207
5,971,163 A	10/1999	Gurfinkel	210/514
6,800,195 B1	10/2004	Batten et al.	210/138
6,849,176 B1	2/2005	Batten et al.	210/97

6,878,270 B1 *	4/2005	Batten et al.	210/305
7,153,439 B1	12/2006	Batten et al.	210/800
7,186,346 B1	3/2007	Batten et al.	210/776
7,208,080 B2	4/2007	Batten et al.	210/86
7,431,852 B2	10/2008	Batten et al.	210/532.1
7,452,472 B2 *	11/2008	Hodgekins et al.	210/800
8,273,255 B2	9/2012	Batten et al.	210/800
2001/0027954 A1	10/2001	Broeders et al.	210/800
2003/0042213 A1	3/2003	Hard	210/807
2007/0251879 A1	11/2007	Batten et al.	210/532.1
2008/0061012 A1	3/2008	Hodgekins et al.	210/803
2008/0179262 A1	7/2008	Batten et al.	210/776

FOREIGN PATENT DOCUMENTS

JP 2009/262066 11/2009

* cited by examiner

Primary Examiner — Robin V Webster

(74) *Attorney, Agent, or Firm* — MacCord Mason PLLC

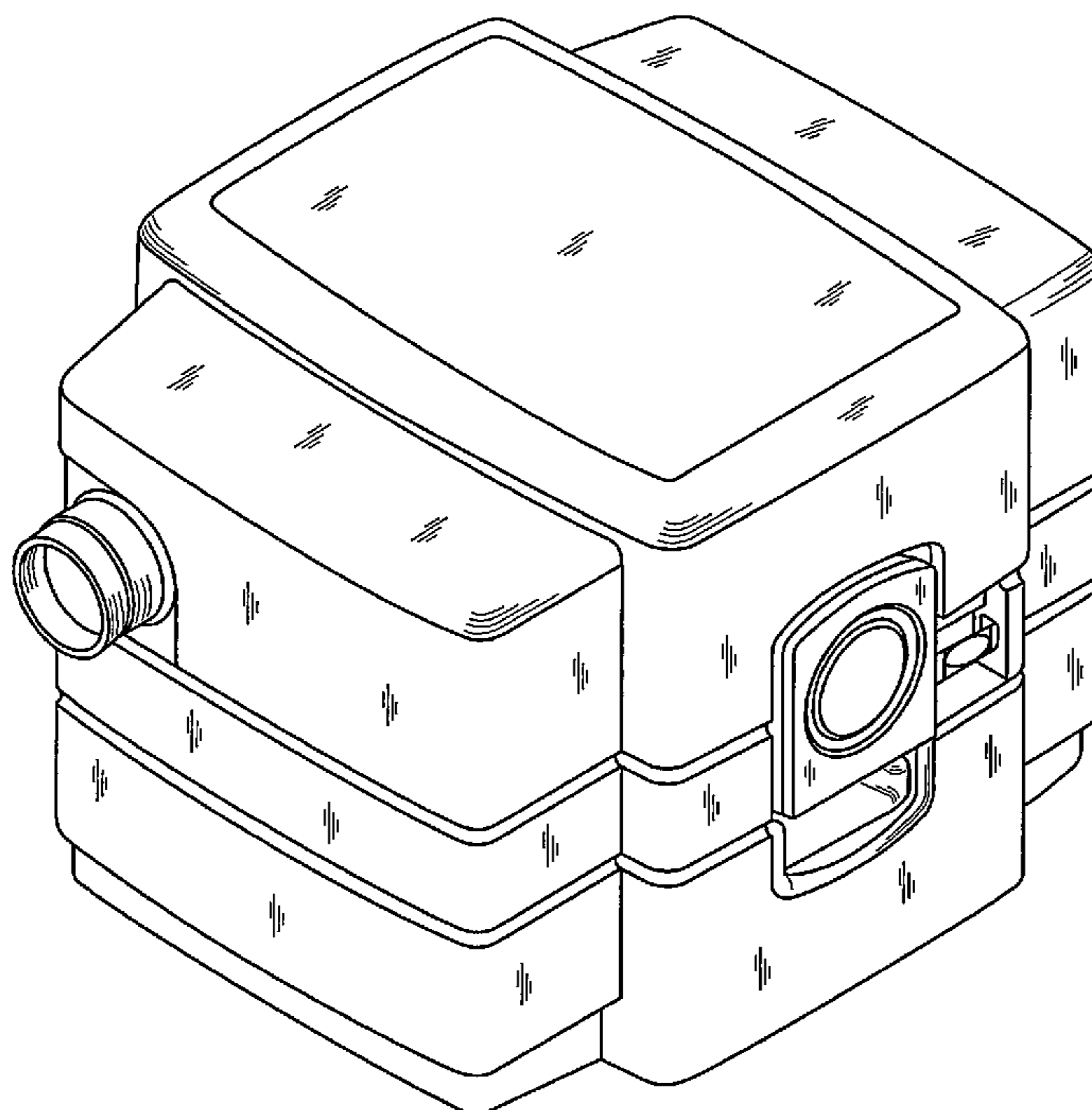
(57) **CLAIM**

The ornamental design for a fat, oil, and grease waste removal unit, as shown and described.

DESCRIPTION

FIG. 1 is a top perspective view of a fat, oil, and grease waste removal unit showing my new design;
FIG. 2 is a back view thereof;
FIG. 3 is a side view thereof;
FIG. 4 is a front view thereof;
FIG. 5 is an opposite side view thereof; and,
FIG. 6 is a top view.

1 Claim, 6 Drawing Sheets



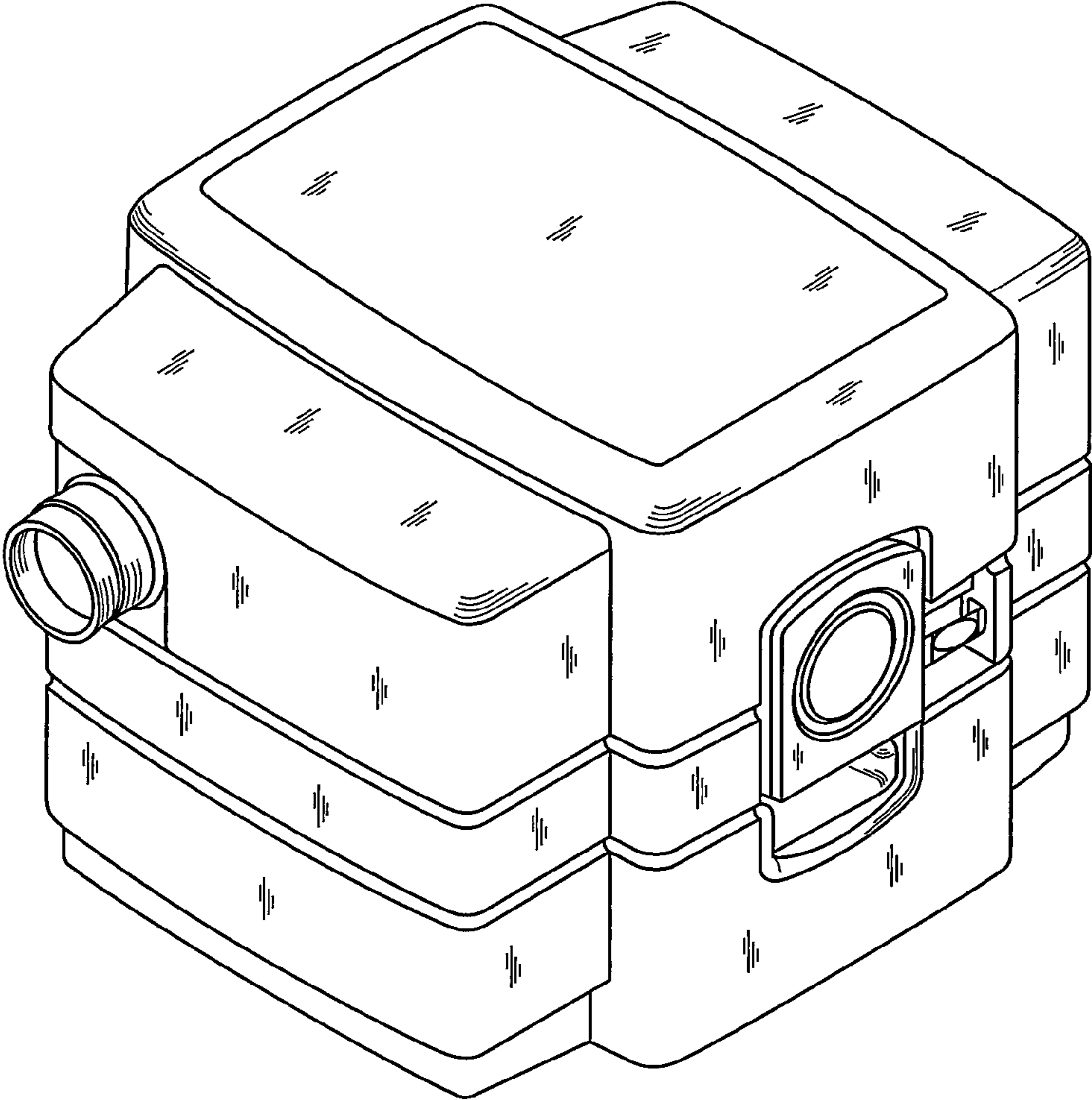


FIG. 1

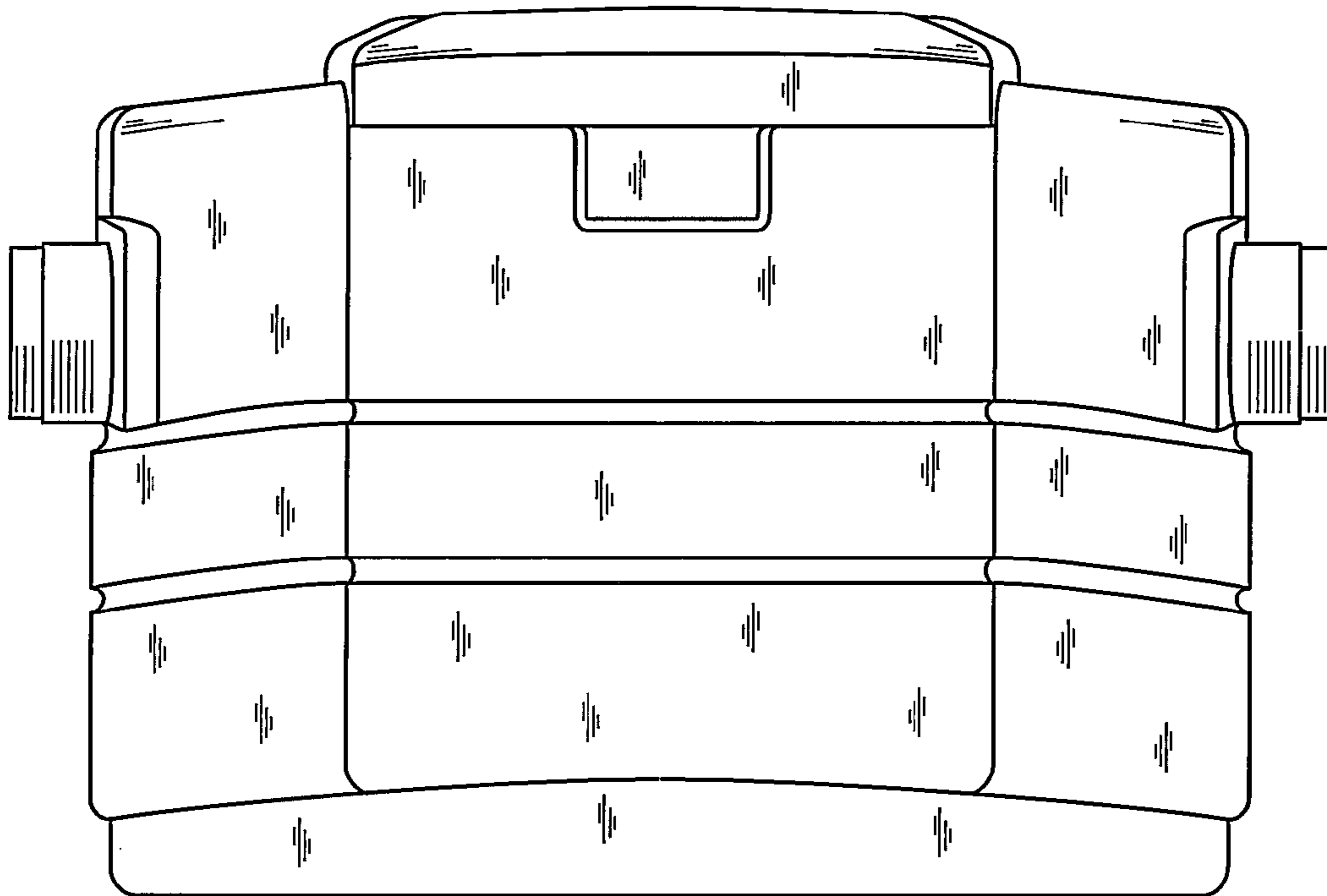


FIG. 2

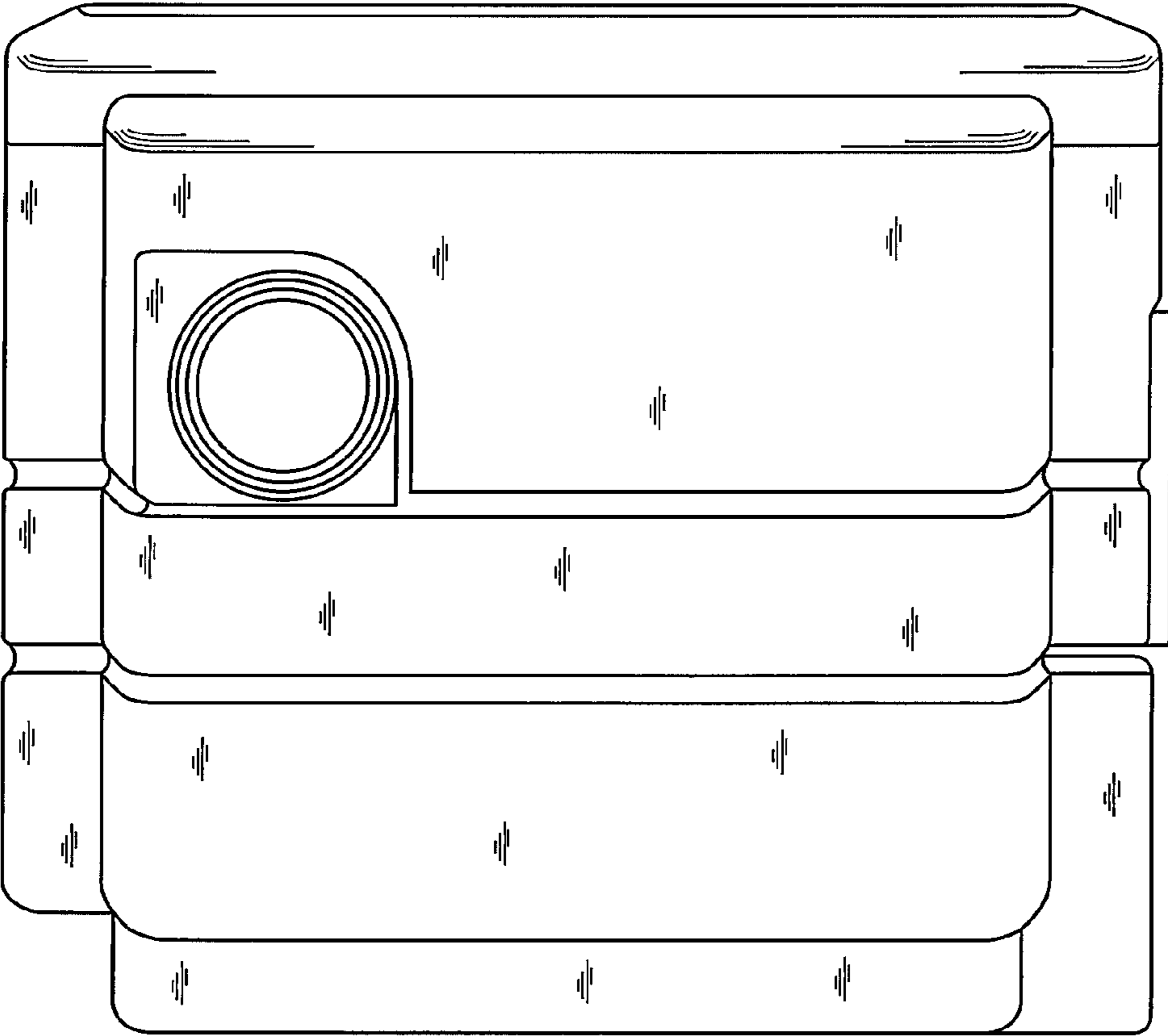


FIG. 3

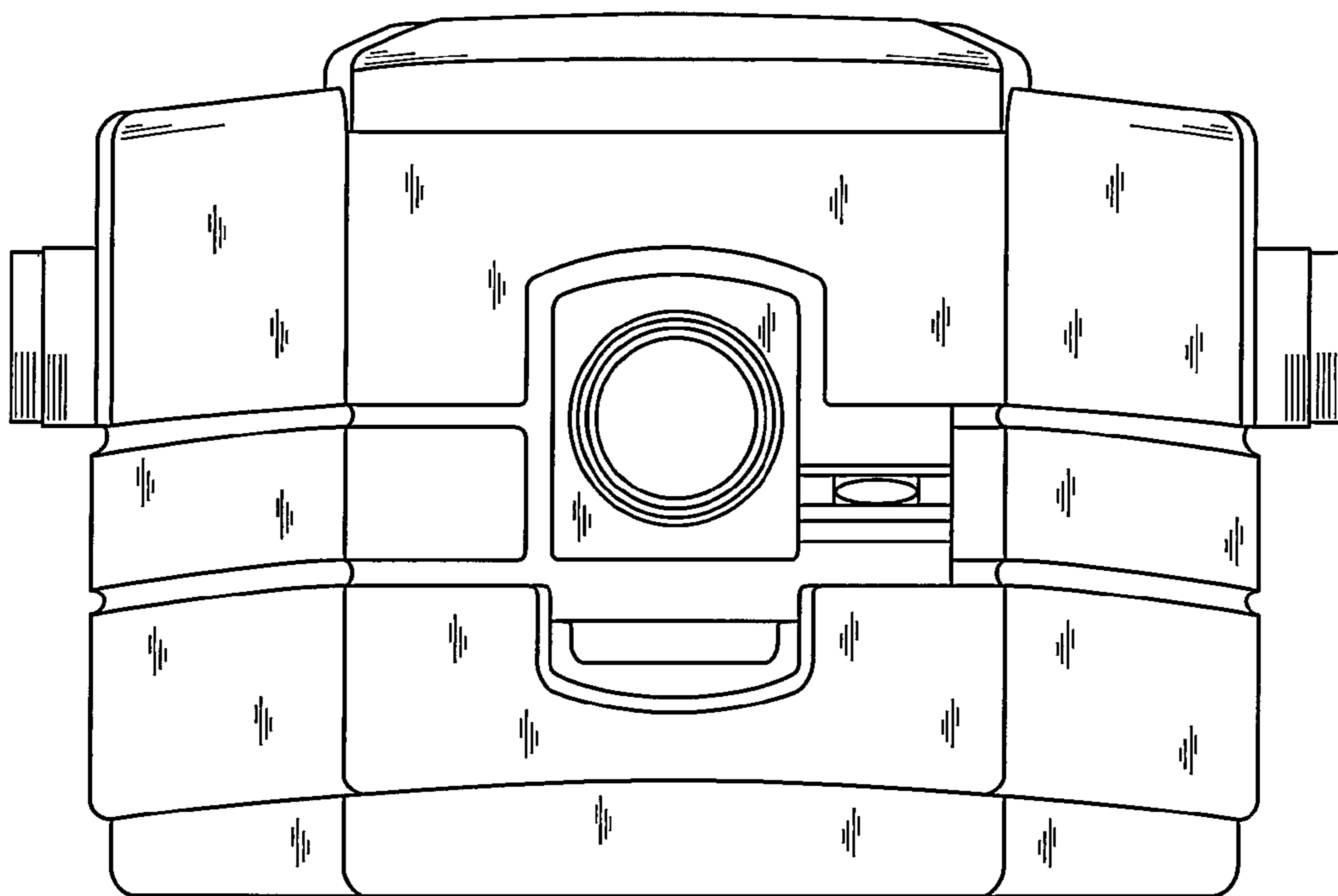


FIG. 4

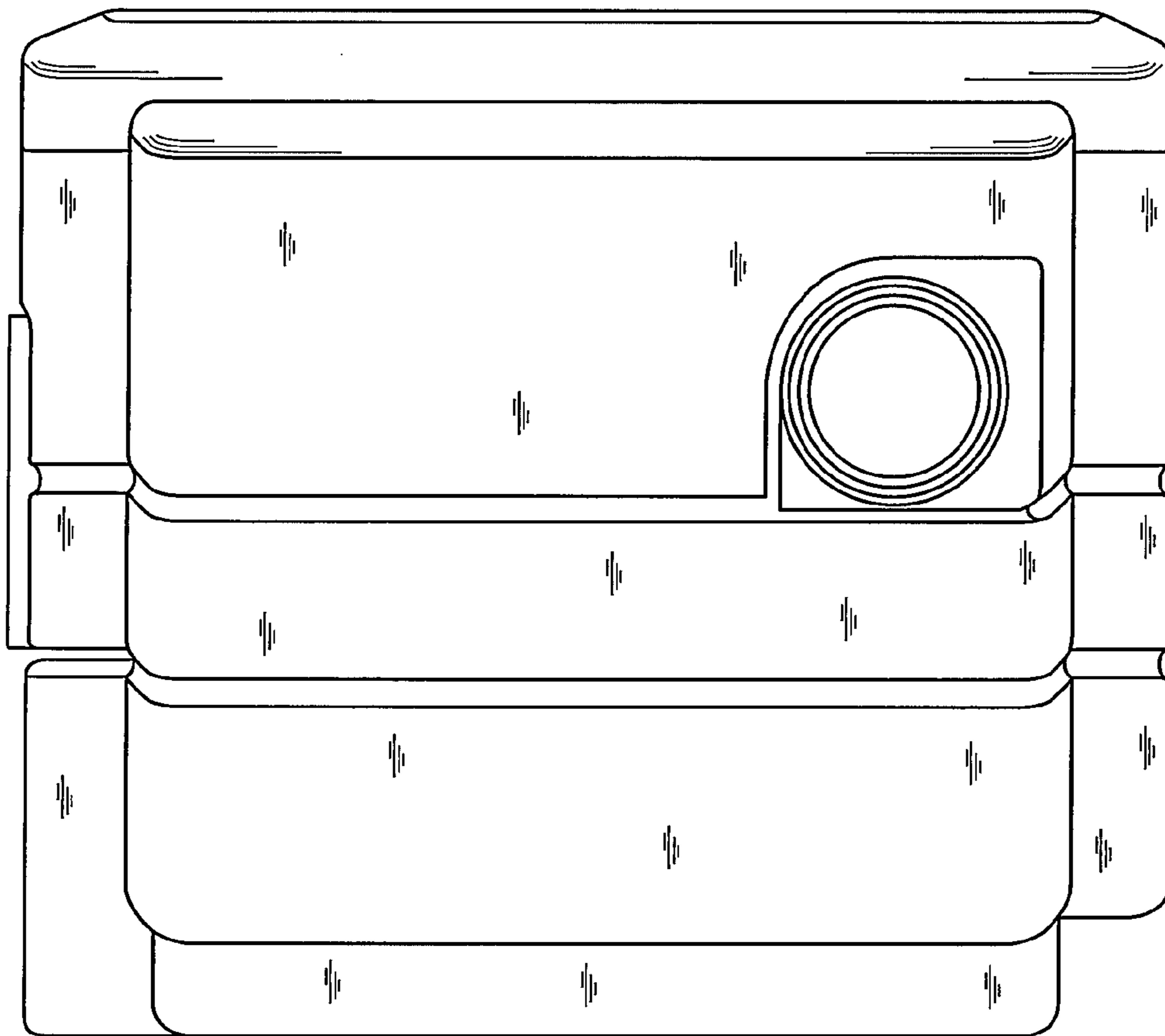


FIG. 5

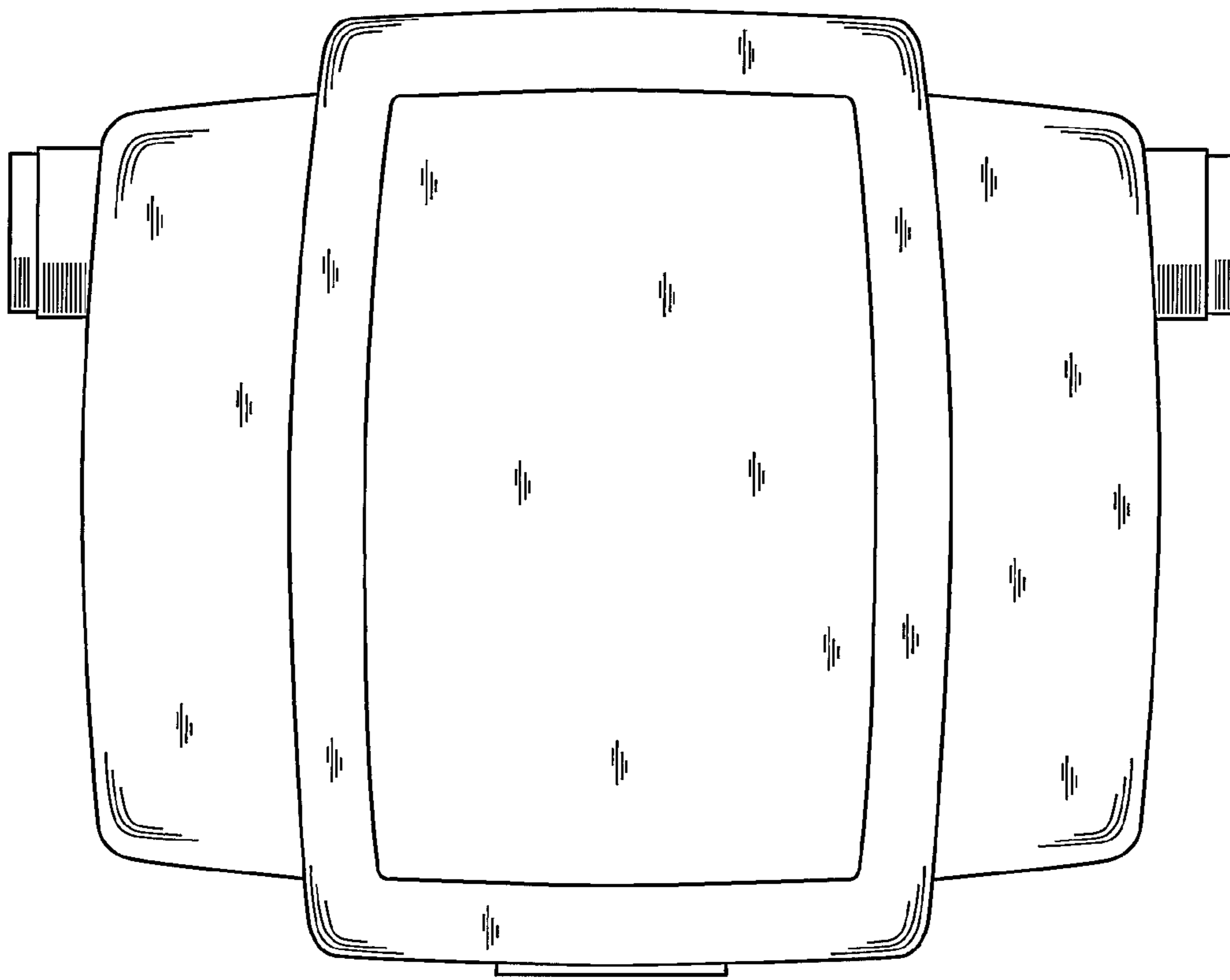


FIG. 6