



US00D706900S

(12) **United States Design Patent**
Neeley, Jr.

(10) **Patent No.:** **US D706,900 S**
(45) **Date of Patent:** **** Jun. 10, 2014**

(54) **FISHING ROD ANCHOR HANDLE**

(71) Applicant: **David A. Neeley, Jr.**, Canton, GA (US)

(72) Inventor: **David A. Neeley, Jr.**, Canton, GA (US)

(**) Term: **14 Years**

(21) Appl. No.: **29/462,892**

(22) Filed: **Aug. 9, 2013**

(51) **LOC (10) Cl.** **22-05**

(52) **U.S. Cl.**
USPC **D22/142; D22/147**

(58) **Field of Classification Search**
CPC **A01K 87/08; A01K 99/00**
USPC **D22/134-142, 147; 43/18.1 R, 22-23**
See application file for complete search history.

(56) **References Cited**

U.S. PATENT DOCUMENTS

4,637,157	A *	1/1987	Collins	43/22
D386,557	S *	11/1997	Thompson	D22/147
6,629,382	B2 *	10/2003	Irrgang et al.	43/18.1 R
D503,768	S *	4/2005	Thompson	D22/147
D552,209	S *	10/2007	Lin	D22/142
D607,534	S *	1/2010	Akiba et al.	D22/142
D618,759	S *	6/2010	Rouwhorst et al.	D22/147
D667,074	S *	9/2012	DeVriendt, II	D22/142

* cited by examiner

Primary Examiner — Catheri Oliver-Garcia

(74) *Attorney, Agent, or Firm* — Withers & Keys, LLC

(57) **CLAIM**

The ornamental design for the fishing rod anchor handle, as shown and described.

DESCRIPTION

FIG. 1 is a perspective view of the fishing rod anchor handle showing my new design;

FIG. 2 is a left side view of the fishing rod anchor handle of FIG. 1;

FIG. 3 is a right side view of the fishing rod anchor handle of FIG. 1;

FIG. 4 is a top view of the fishing rod anchor handle of FIG. 1;

FIG. 5 is a bottom view of the fishing rod anchor handle of FIG. 1;

FIG. 6 is a rear view of the fishing rod anchor handle of FIG. 1;

FIG. 7 is a front view of the fishing rod anchor handle of FIG. 1;

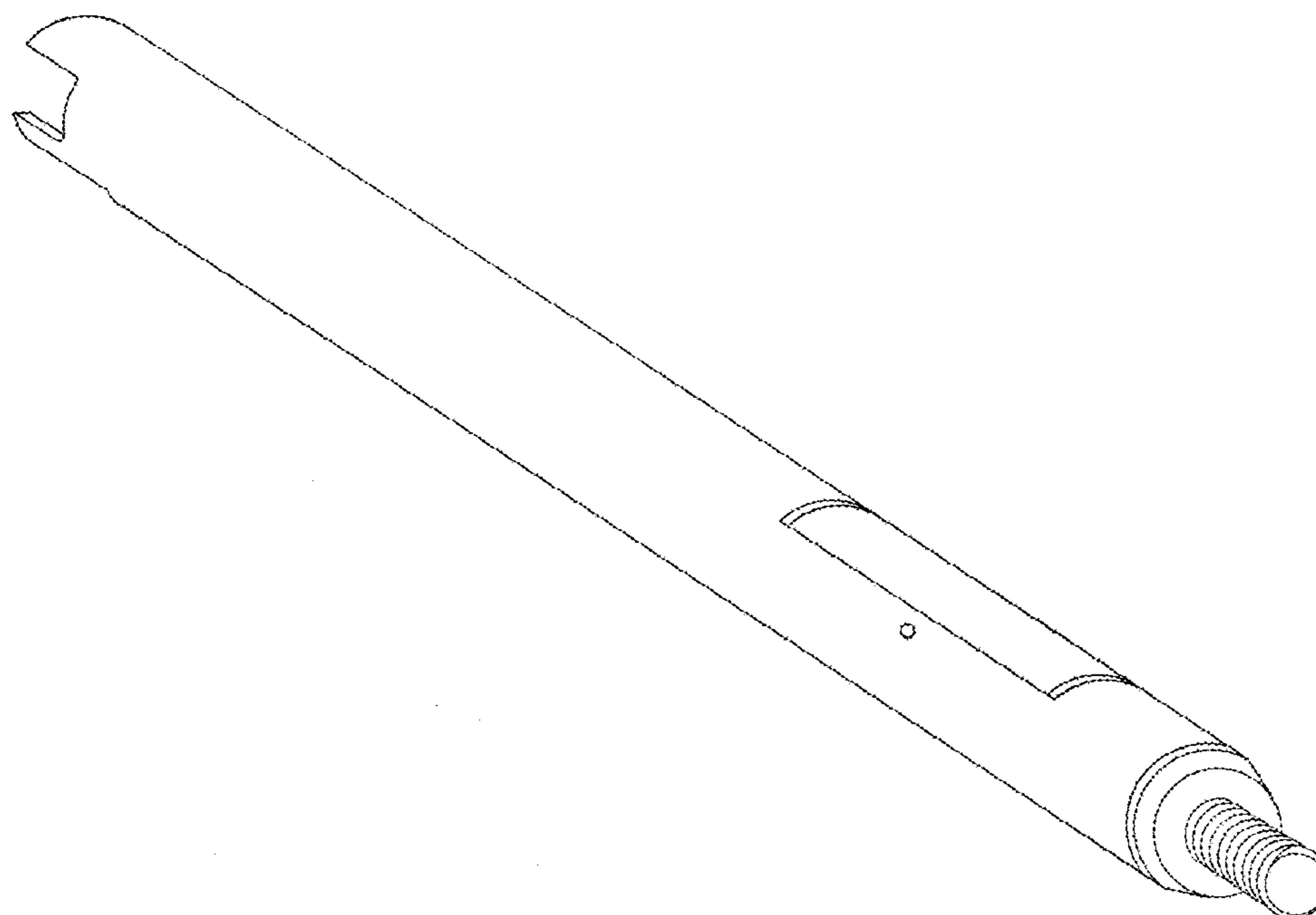
FIG. 8 is an exploded view of the individual components forming the fishing rod anchor handle of FIG. 1;

FIG. 9 is a left side view of the fishing rod anchor handle of FIG. 1 as it would appear prior to being secured to a fishing rod reel seat; and,

FIG. 10 is a left side elevation view of the fishing rod anchor handle of FIG. 1 as it would appear secured to a fishing rod reel seat and fishing rod.

The broken line showing of environment in the drawings is included for the purpose of illustrating only and forms no part of the claimed design.

1 Claim, 4 Drawing Sheets



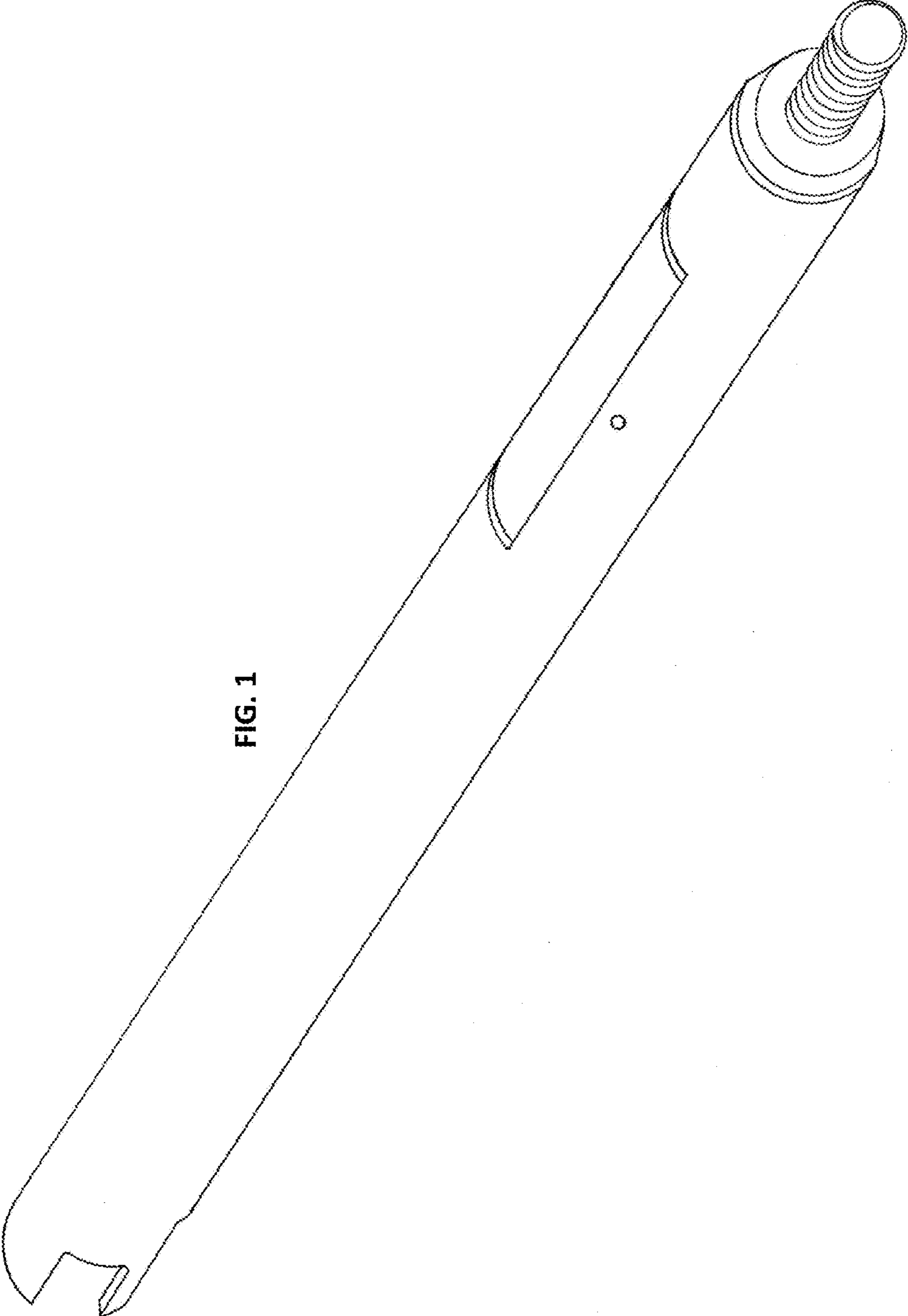
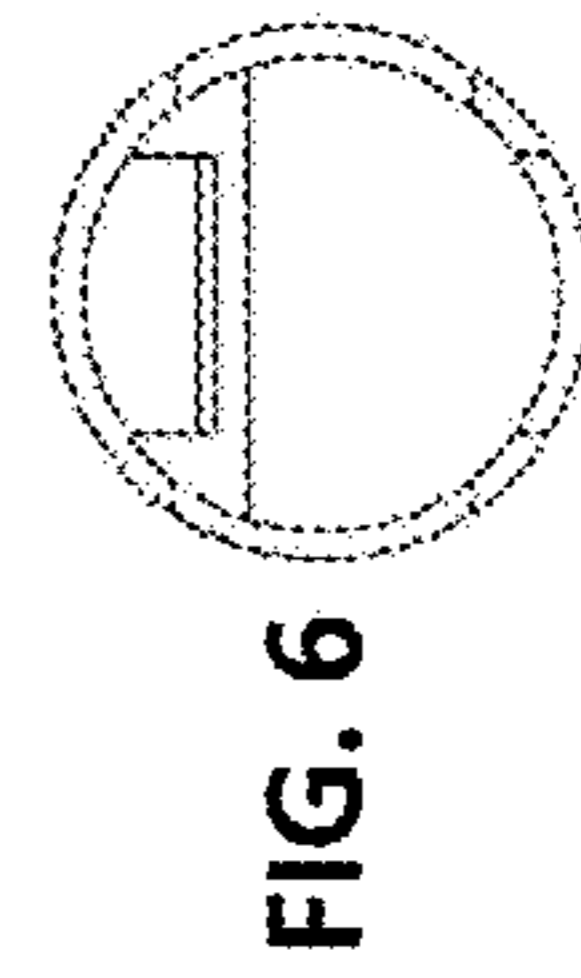
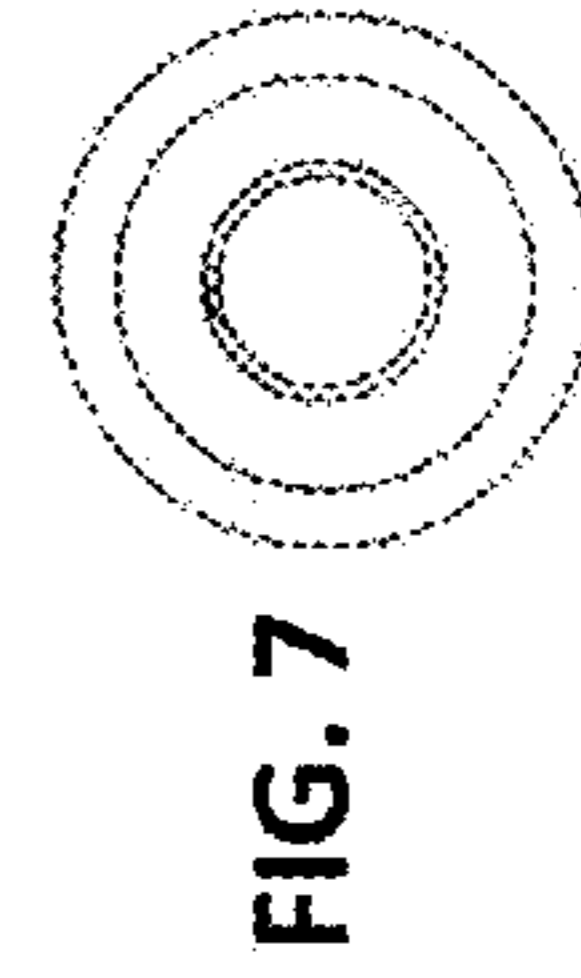
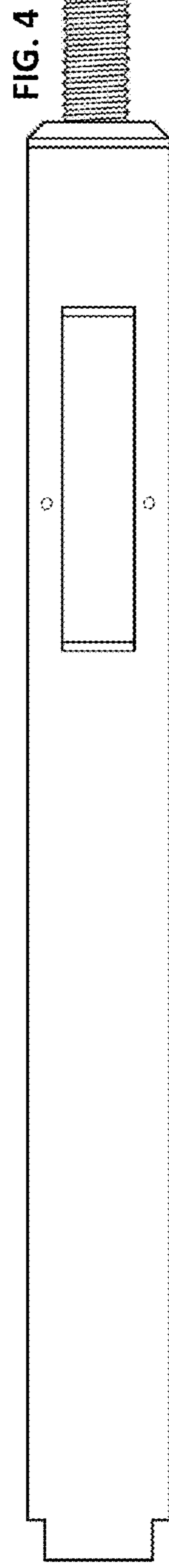
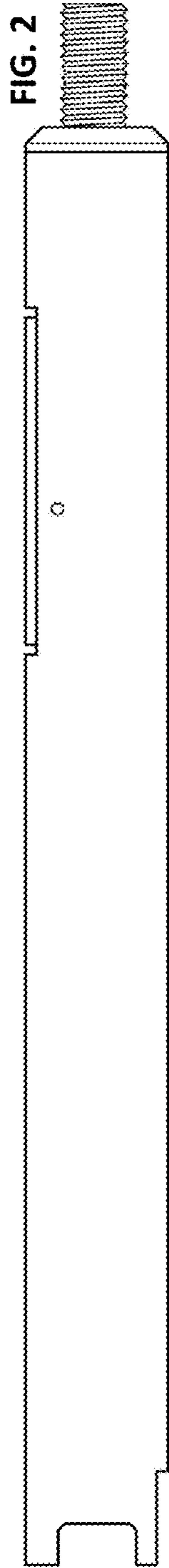


FIG. 1



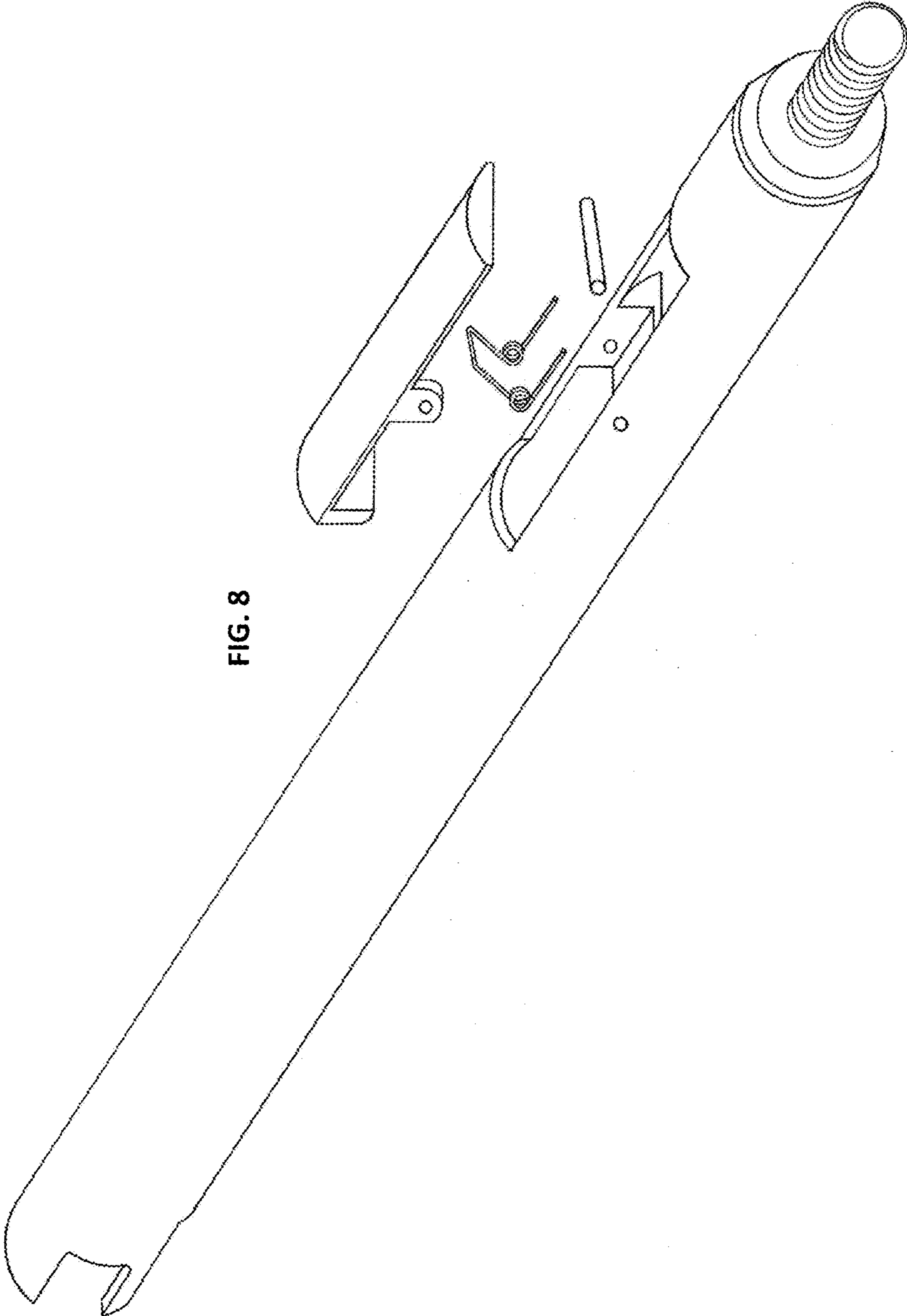


FIG. 9

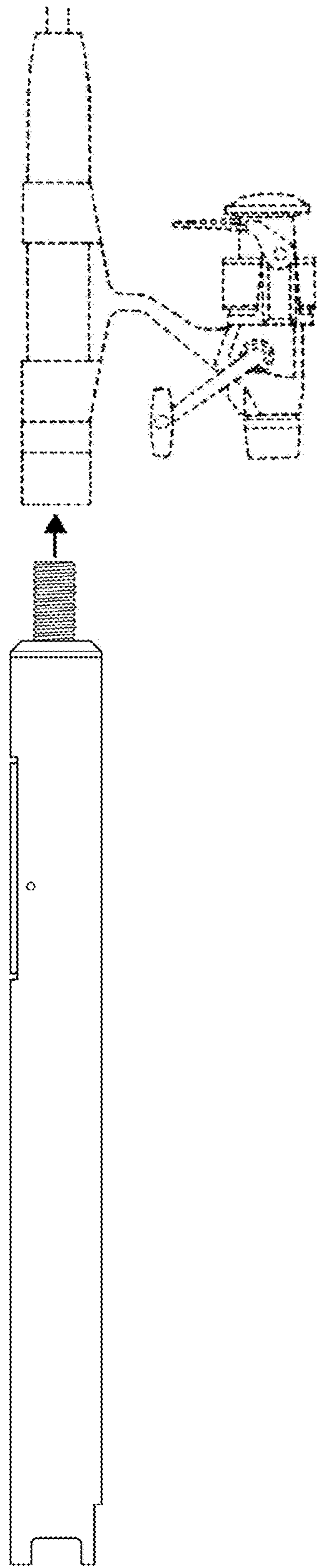


FIG. 10

