



US00D706897S

(12) **United States Design Patent**  
**Sheikh et al.**

(10) **Patent No.:** **US D706,897 S**  
(45) **Date of Patent:** **\*\* Jun. 10, 2014**

- (54) **COMBINATION STUN GUN AND FLASHLIGHT**
- (71) Applicants: **Yasar Sheikh**, Sanford, FL (US);  
**Shabbir Sheikh**, Sanford, FL (US)
- (72) Inventors: **Yasar Sheikh**, Sanford, FL (US);  
**Shabbir Sheikh**, Sanford, FL (US)
- (\*\*) Term: **14 Years**
- (21) Appl. No.: **29/461,021**
- (22) Filed: **Jul. 17, 2013**
- (51) **LOC (10) Cl.** ..... **22-01**
- (52) **U.S. Cl.**  
USPC ..... **D22/117; D26/38**
- (58) **Field of Classification Search**  
USPC ..... D22/117-120; D26/38, 40, 42, 46, 49,  
D26/51; 362/157-158, 184, 194-208, 253;  
D28/85, 88-89  
See application file for complete search history.

- D648,467 S 11/2011 Nguyen et al.
- D649,670 S 11/2011 Robinson
- D666,344 S 8/2012 Lee
- D671,249 S 11/2012 Sheikh et al.
- D674,943 S 1/2013 Sheikh et al.

**OTHER PUBLICATIONS**

The Home Security Superstore, <http://www.thehomesecuritysuperstore.com/stun-guns-flashlight-stun-guns-sub=38>.  
The Home Security Superstore, "Police Force Stun Flashlight 5M", <http://www.thehomesecuritysuperstore.com/flashlight-stun-guns-police-force-stun-flashlight-5m-swpf5000r-p=3719>.

(Continued)

*Primary Examiner* — Catheri Oliver-Garcia  
(74) *Attorney, Agent, or Firm* — QuickPatents; Kevin Prince

(57) **CLAIM**  
We claim the ornamental design for a combination flashlight and stun gun, as shown and described.

**DESCRIPTION**

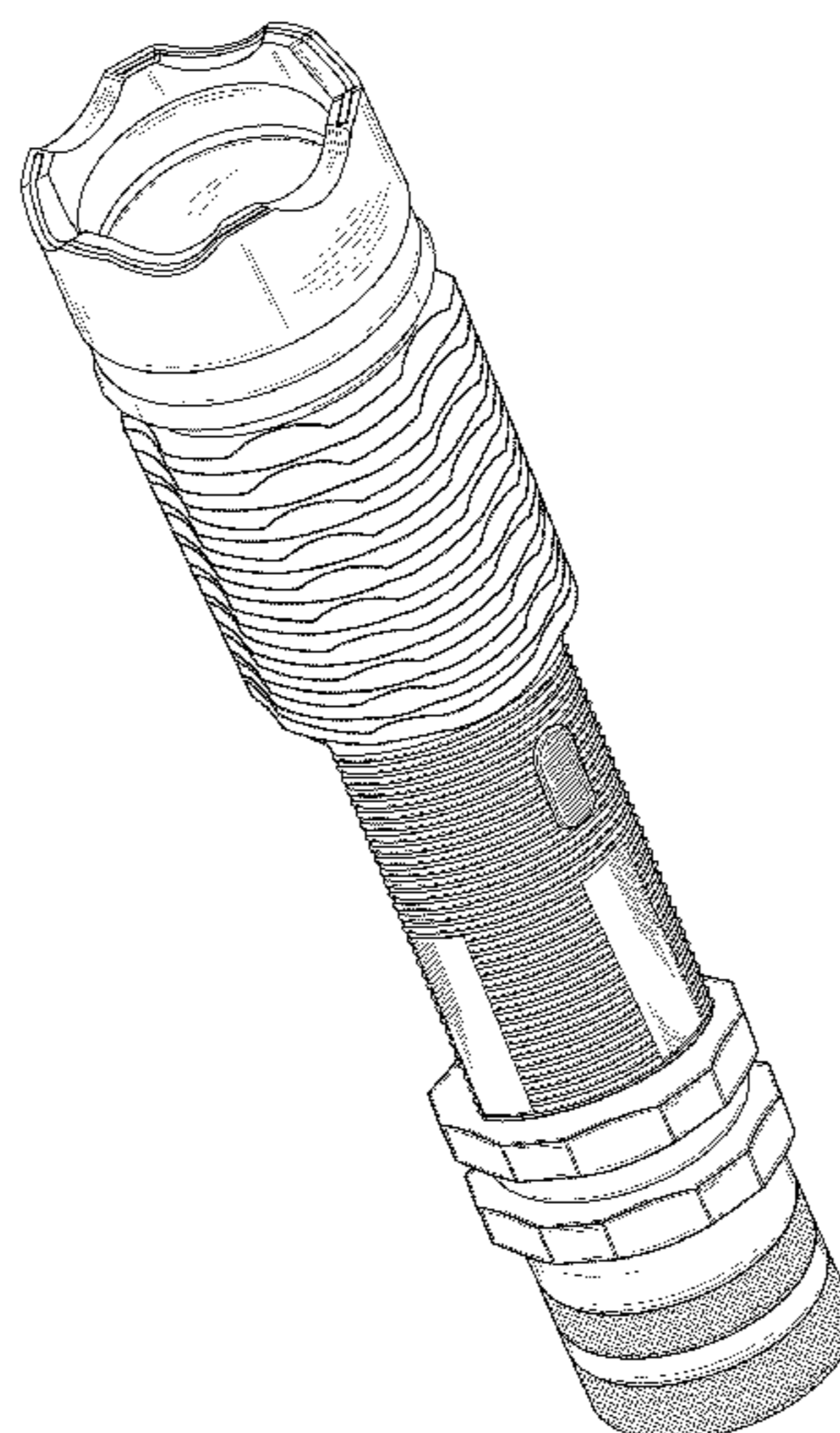
FIG. 1 is a front perspective view of a combination flashlight and stun gun, showing a first embodiment of our new design; FIG. 2 is a rear perspective view of FIG. 1; FIG. 3 is a front elevational view of FIG. 1; FIG. 4 is a rear elevational view of FIG. 1; FIG. 5 is a left-side elevational view of FIG. 1, the right-side elevational view being a mirror image thereof; FIG. 6 is a top plan view of FIG. 1; FIG. 7 is a bottom plan view of FIG. 1; FIG. 8 is a front perspective view of a second embodiment thereof; FIG. 9 is a front elevational view of FIG. 8; FIG. 10 is a left-side elevational view of FIG. 8, the right-side elevational view being a mirror image thereof; FIG. 11 is a top plan view of FIG. 8; and, FIG. 12 is a bottom plan view of FIG. 8. It is understood that the rear elevational views of both embodiments are identically shown in FIG. 4.

**1 Claim, 7 Drawing Sheets**

(56) **References Cited**

U.S. PATENT DOCUMENTS

4,968,034 A	11/1990	Hsieh
D513,334 S	12/2005	Galey
D541,454 S	4/2007	Galey
7,278,764 B2	10/2007	Kim
D565,769 S	4/2008	Shiu
D578,236 S	10/2008	Dalton
D585,577 S	1/2009	Bonis
D586,025 S	2/2009	Bonis
D595,439 S	6/2009	Haight et al.
D599,928 S	9/2009	Shiu
D601,736 S	10/2009	Swan
D603,988 S	11/2009	Sharrah
D611,115 S	3/2010	Pennington
D629,542 S	12/2010	Robinson
D629,544 S	12/2010	Deguglimo et al.
D629,546 S	12/2010	Deguglimo et al.
D646,346 S	10/2011	Rae
D647,232 S	10/2011	Liu
D647,654 S	10/2011	Li



(56)

**References Cited**

OTHER PUBLICATIONS

The Home Security Superstore, "Stun Flashlight Rechargeable 300K", <http://www.thehomesecuritysuperstore.com/flashlight-stun-guns-stun-flashlight-rechargeable-300k-g105-p=3683>.

The Home Security Superstore, "Stun Flashlight Rechargeable 2.9M", <http://www.thehomesecuritysuperstore.com/flashlight-stun-guns-stun-flashlight-rechargeable-2.9m-sg-gd2900f-p=2437>.

The Home Security Superstore, "Perfume Protector Rechargeable 1M," <http://www.thehomesecuritysuperstore.com/stun-guns-for-women-perfume-protector-rechargeable-1m-swpp1000r-p=3149>.

<http://www.thehomesecuritysuperstore.com/baton-stun-guns-night-stick-18-inch-stun-baton-7m-swb7000r-p=3938>.

<http://www.thehomesecuritysuperstore.com/baton-stun-guns-peacemaker-14.25-inch-stun-baton-6m-swb6000r-p=3152>.

<http://www.thehomesecuritysuperstore.com/baton-stun-guns-18-inch-rechargeable-stun-baton-800k-swb800r-p=2417>.

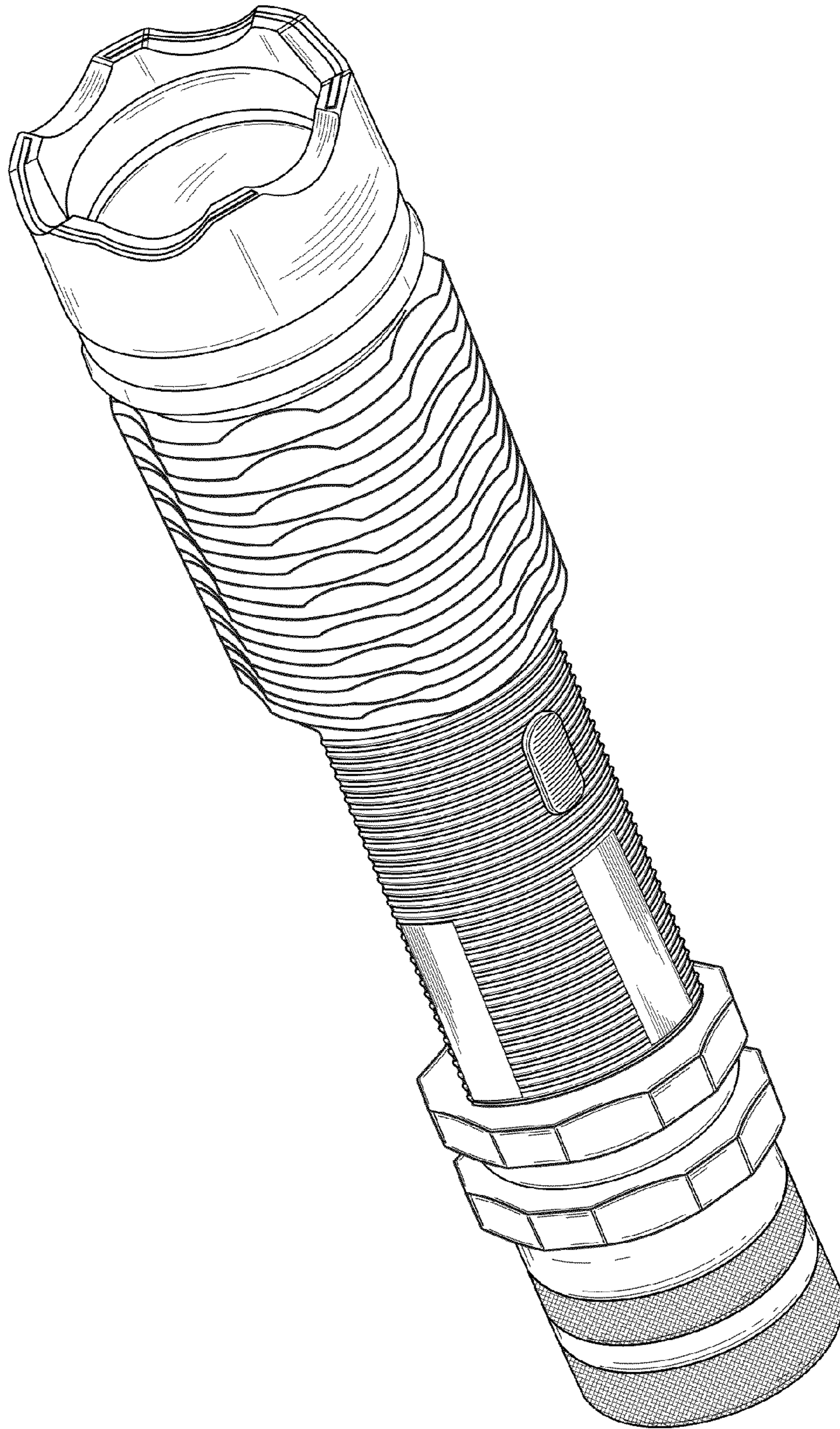


FIG. 1

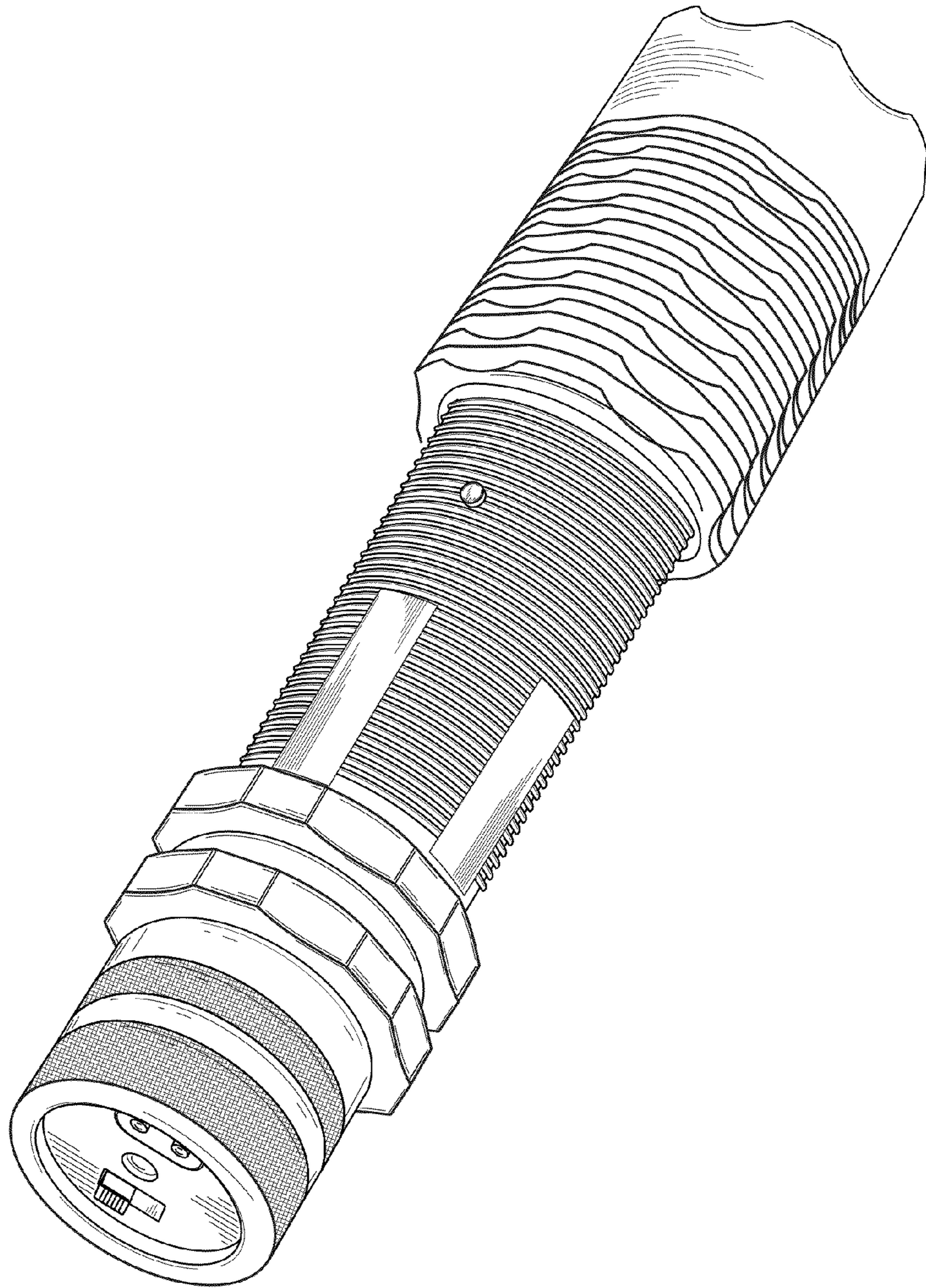


FIG. 2

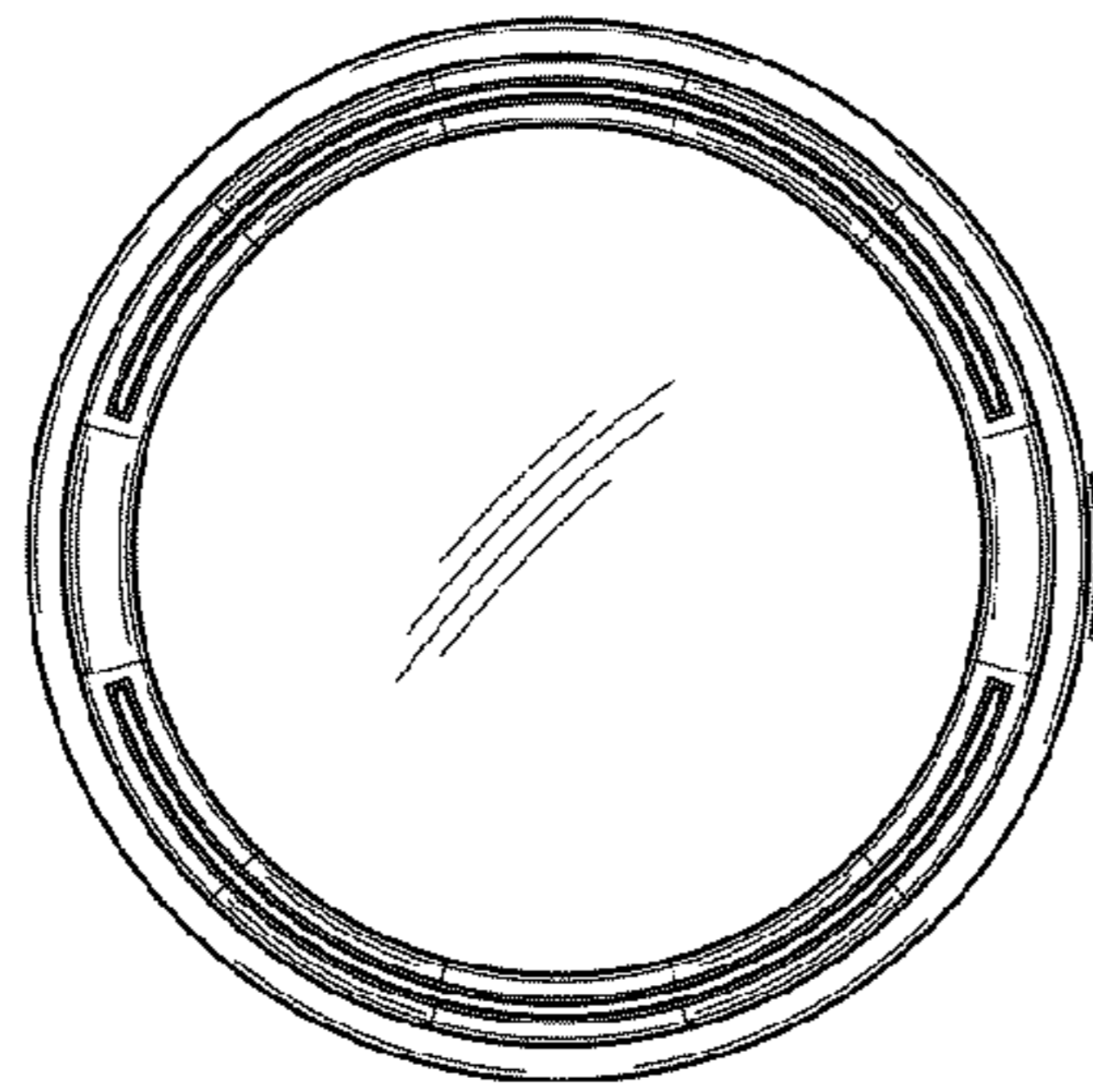


FIG. 3

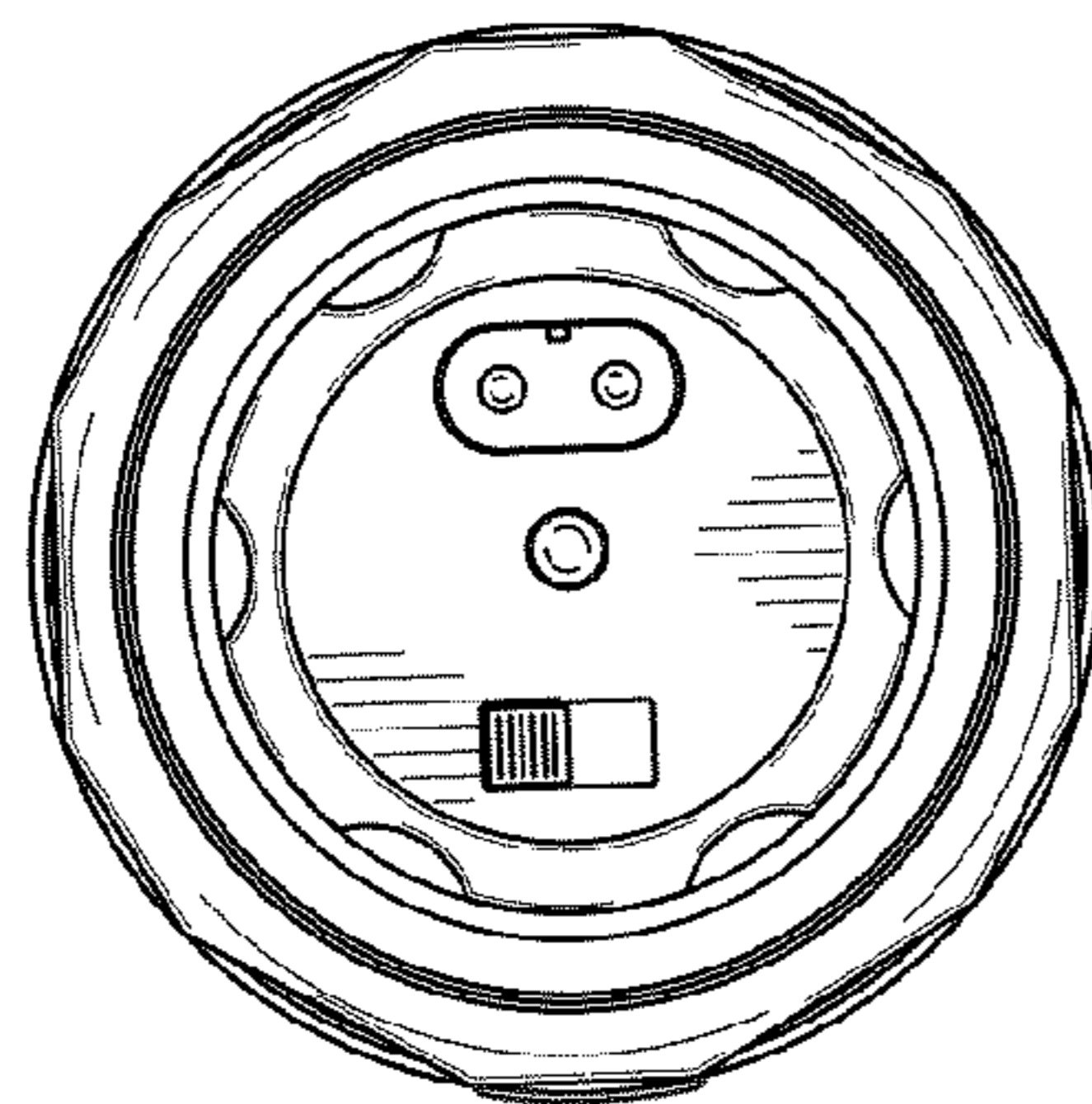


FIG. 4

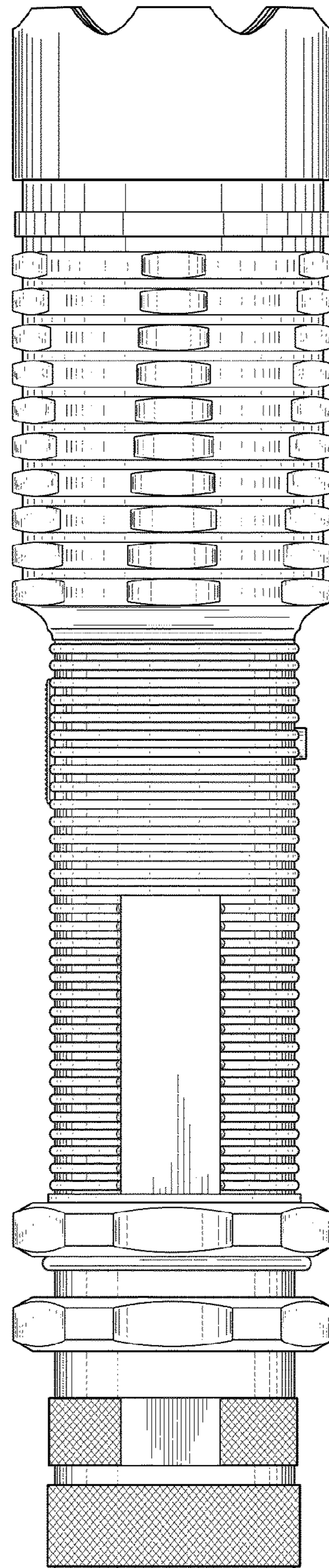


FIG. 5

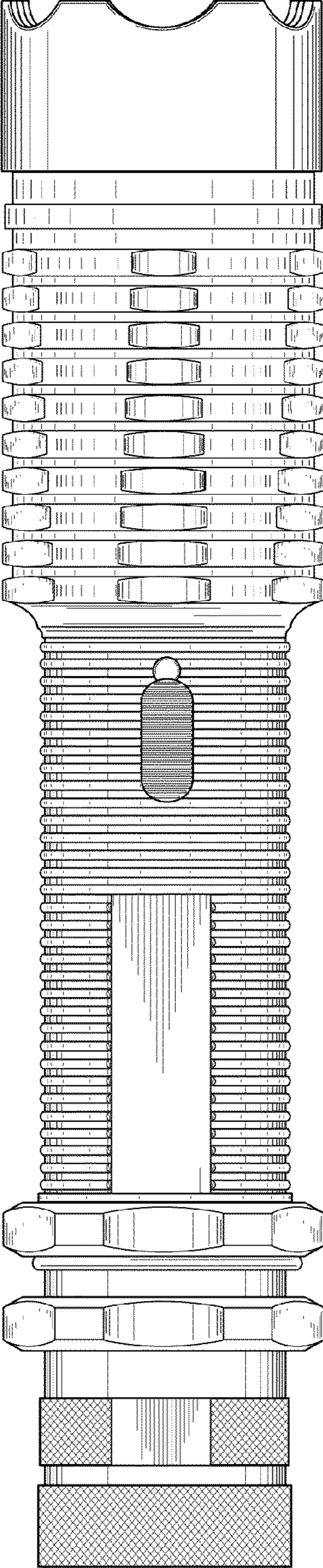


FIG. 6

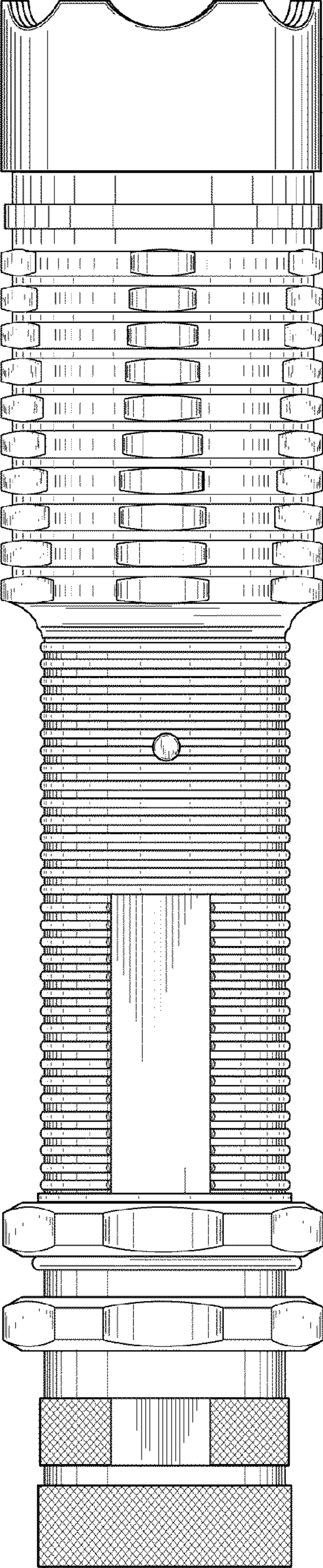


FIG. 7

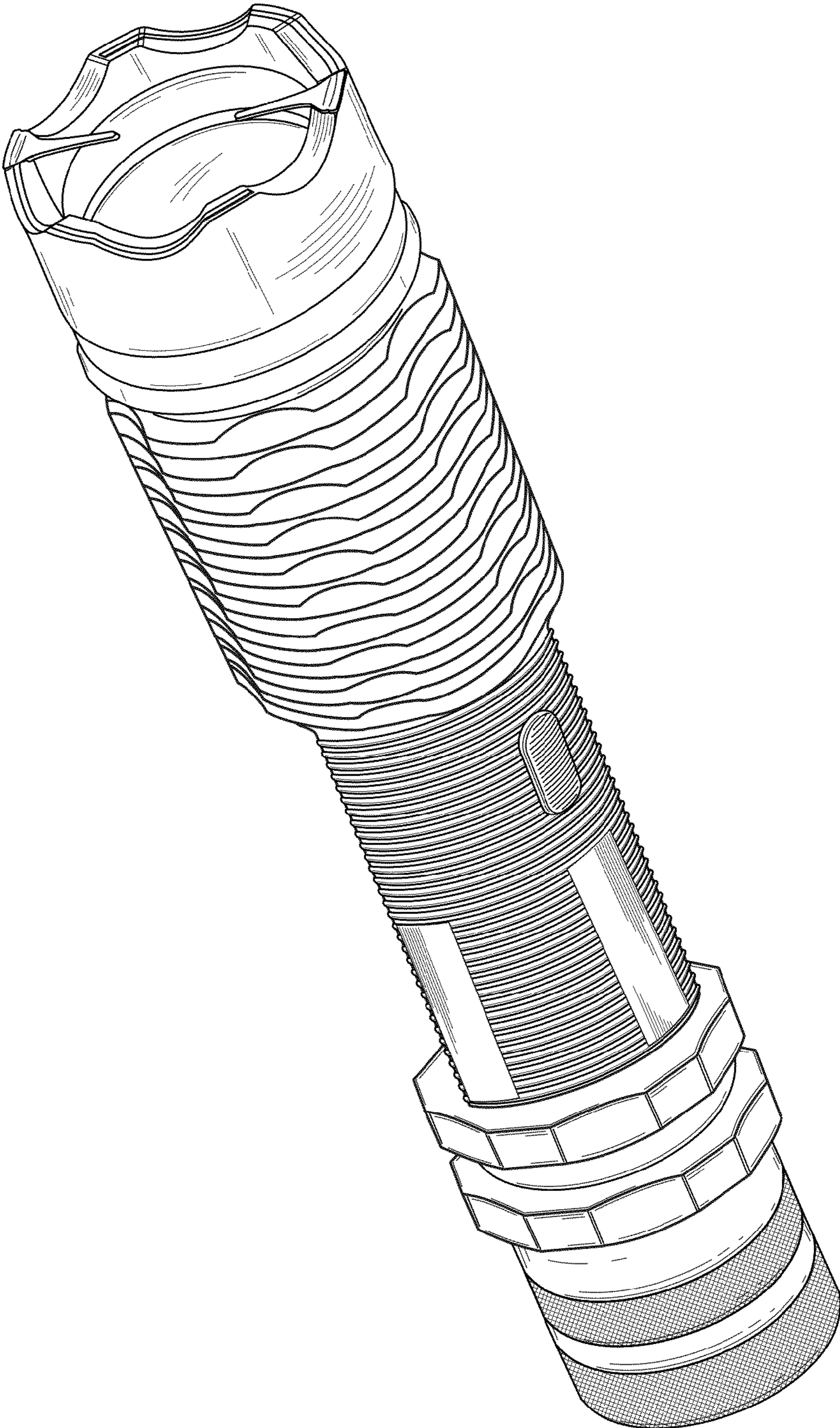


FIG. 8

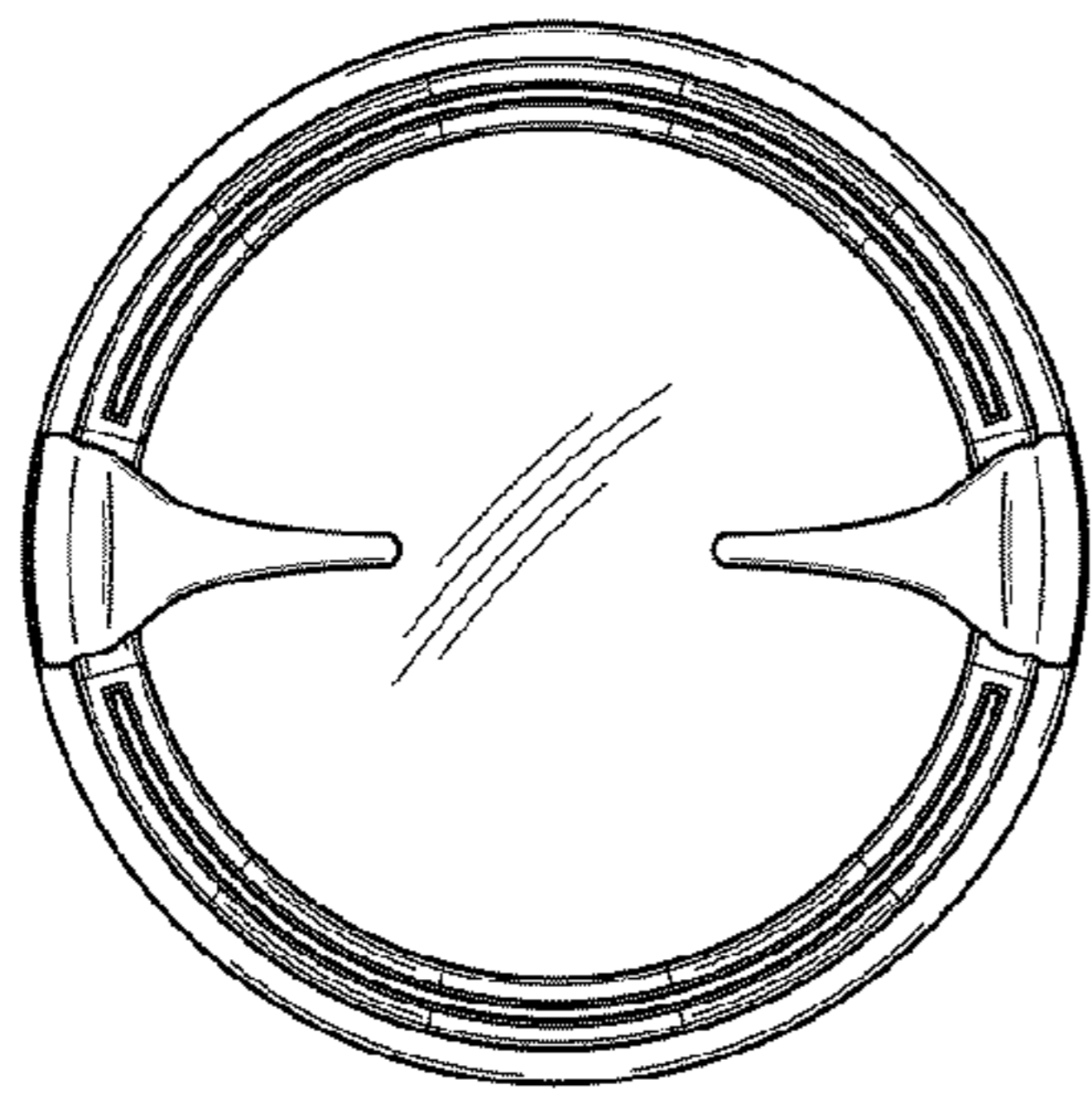


FIG. 9

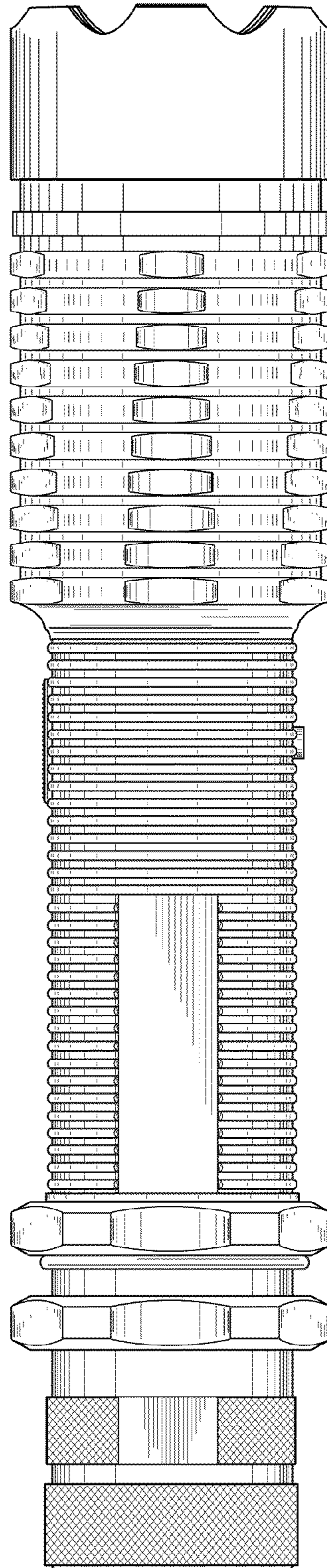


FIG. 10



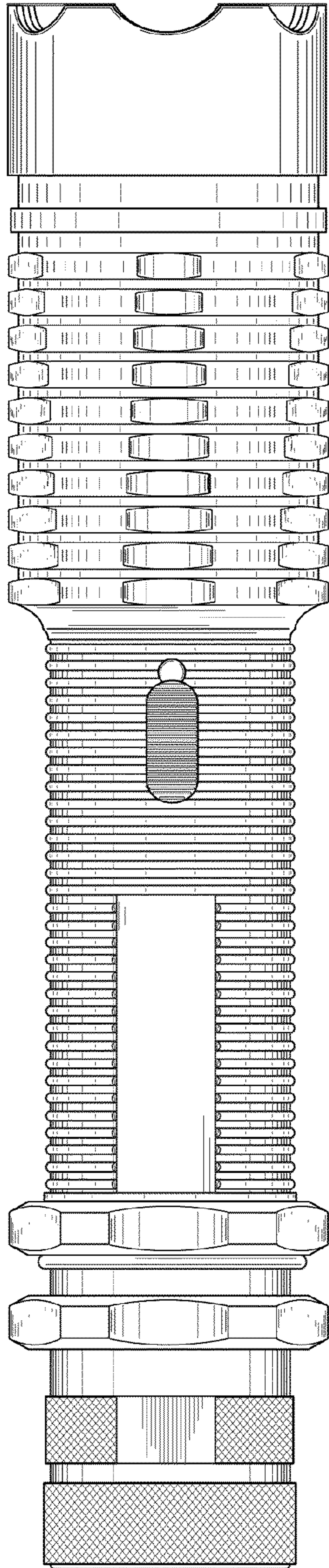


FIG. 11

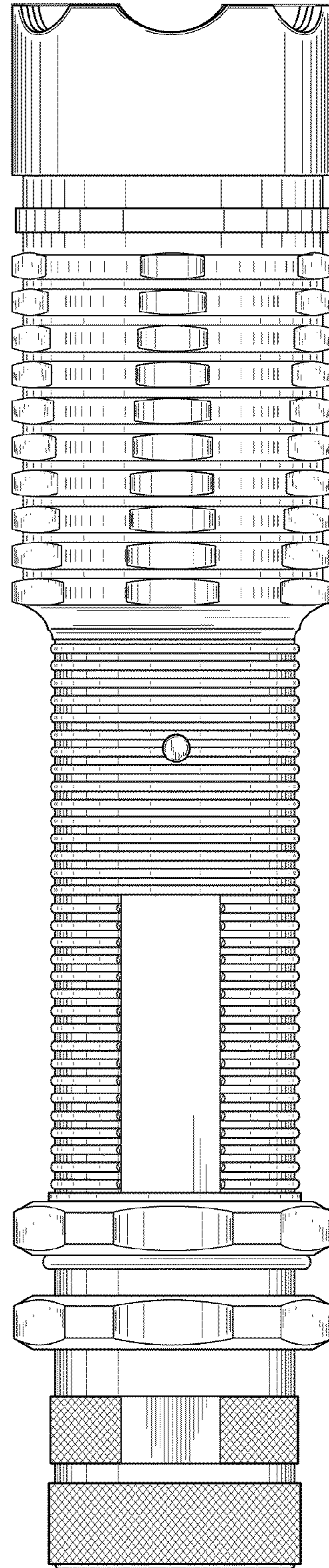


FIG. 12