



US00D706896S

(12) **United States Design Patent**
Bosco

(10) **Patent No.:** **US D706,896 S**
(45) **Date of Patent:** **** Jun. 10, 2014**

(54) **FOREARM-GRIPPING STABILIZING ATTACHMENT**

2009/0211140 A1* 8/2009 Rolfe 42/71.01

* cited by examiner

(71) Applicant: **Alessandro Roberto Bosco**, St. Petersburg, FL (US)

Primary Examiner — Michael A Pratt

(72) Inventor: **Alessandro Roberto Bosco**, St. Petersburg, FL (US)

(74) *Attorney, Agent, or Firm* — Maxey Law Offices PLLC; Stephen Lewellyn

(**) Term: **14 Years**

(57) **CLAIM**

The ornamental design for a forearm-gripping stabilizing attachment, as shown and described.

(21) Appl. No.: **29/444,172**

DESCRIPTION

(22) Filed: **Jan. 28, 2013**

(51) **LOC (10) Cl.** **22-01**

(52) **U.S. Cl.**
USPC **D22/108**

(58) **Field of Classification Search**
USPC D22/100, 101, 103, 104, 108; 42/51, 42/90, 71.01, 71.02, 73, 75.01, 75.02; 89/40.06, 37.04, 33.04; D21/572-573
See application file for complete search history.

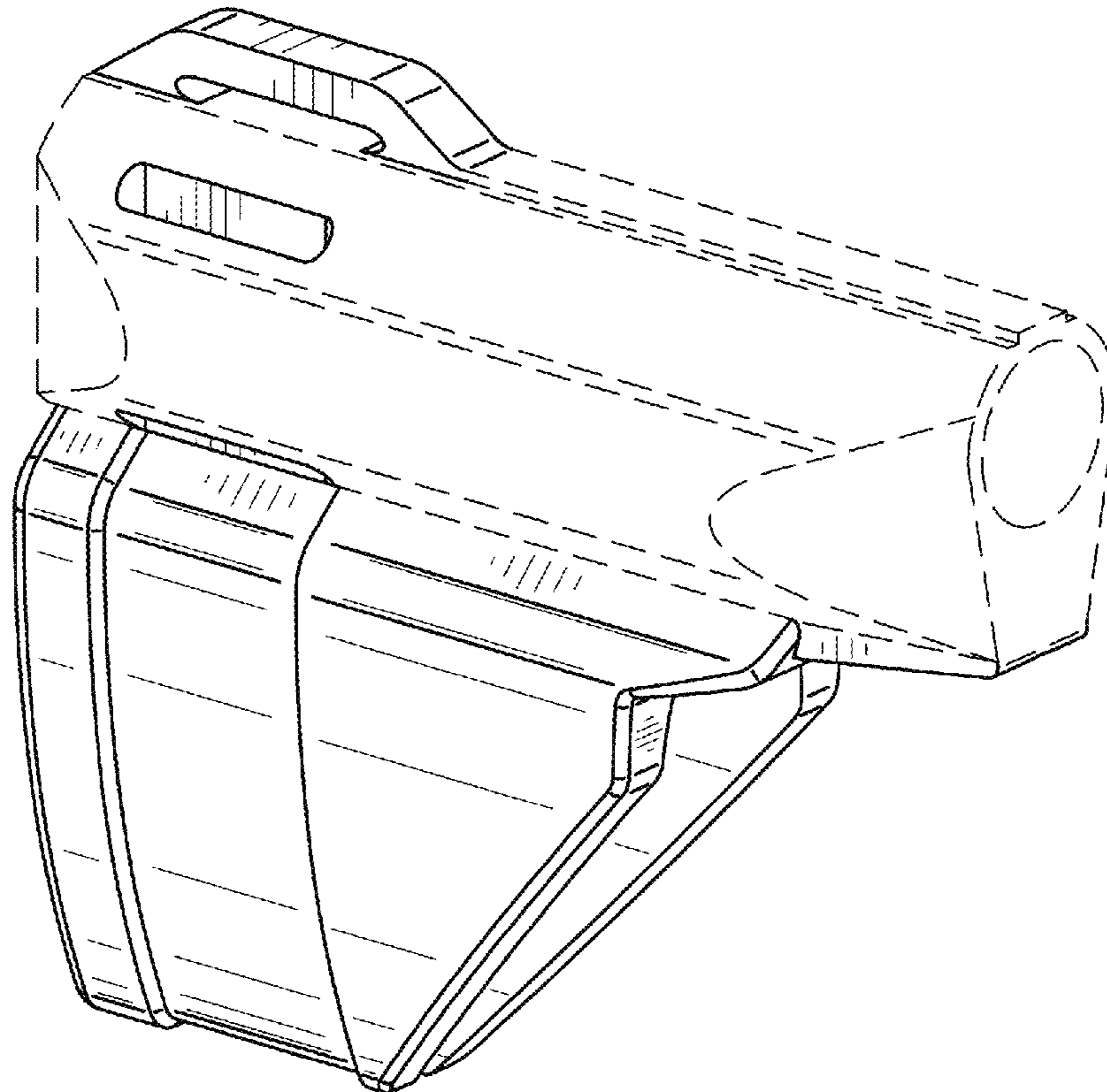
FIG. 1 is a front perspective the forearm-gripping stabilizing attachment;
FIG. 2 is a rear perspective view of the forearm-gripping stabilizing attachment;
FIG. 3 is a front elevation view of the forearm-gripping stabilizing attachment;
FIG. 4 is a rear elevation view of the forearm-gripping stabilizing attachment;
FIG. 5 is a side elevation view of the forearm-gripping stabilizing attachment, the opposite side being a mirror image;
FIG. 6 is a top plan view of the forearm-gripping stabilizing attachment; and,
FIG. 7 is a bottom plan view the forearm-gripping stabilizing. The broken lines in FIGS. 1 through 7 are environmental structure only and form no part of the claimed design.

(56) **References Cited**

U.S. PATENT DOCUMENTS

4,876,814 A * 10/1989 Lombardo 42/94
8,215,045 B2 * 7/2012 Mitchell 42/71.01
2007/0289191 A1* 12/2007 Cowan 42/90

1 Claim, 5 Drawing Sheets



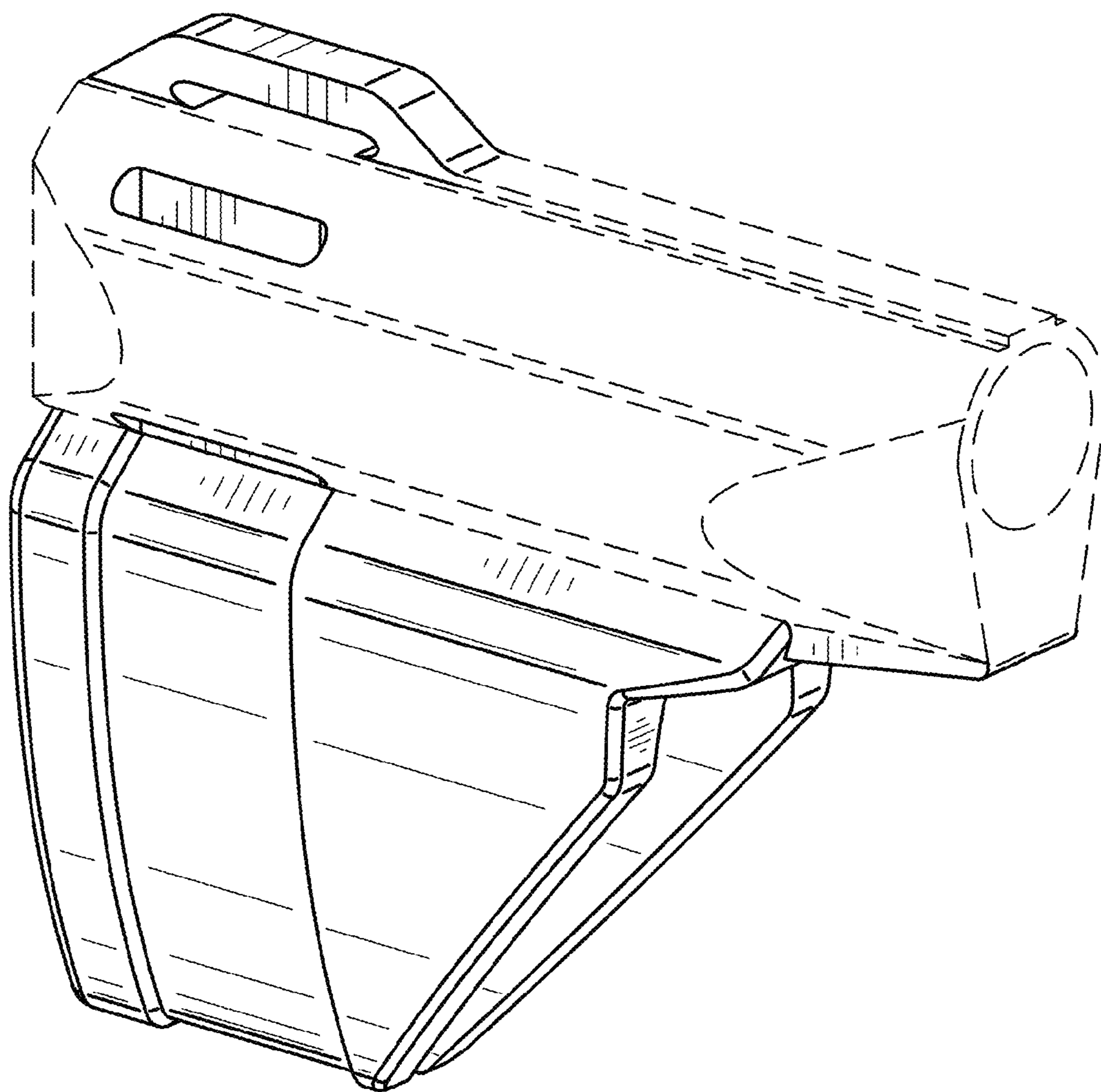


FIG. 1

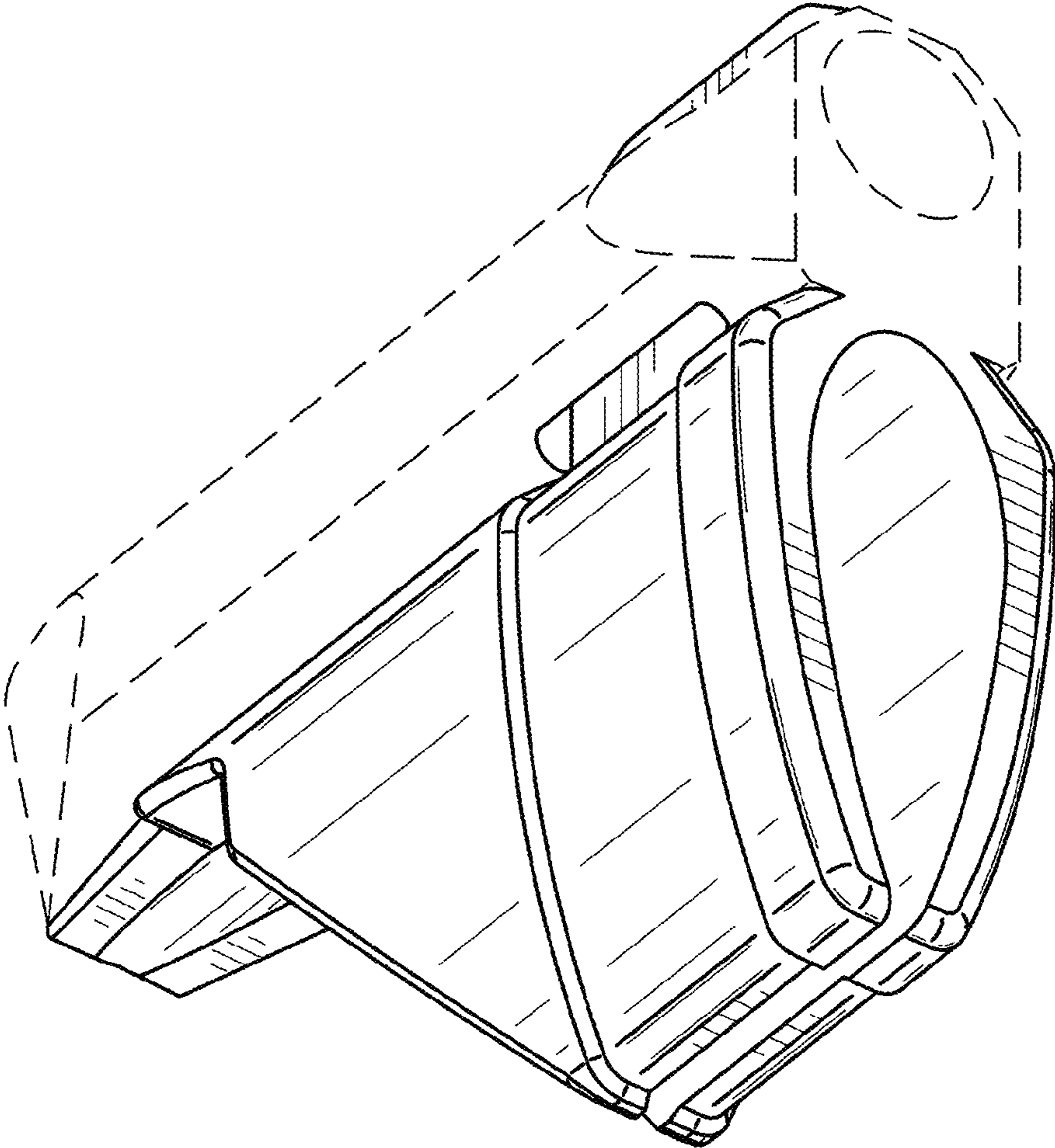


FIG. 2

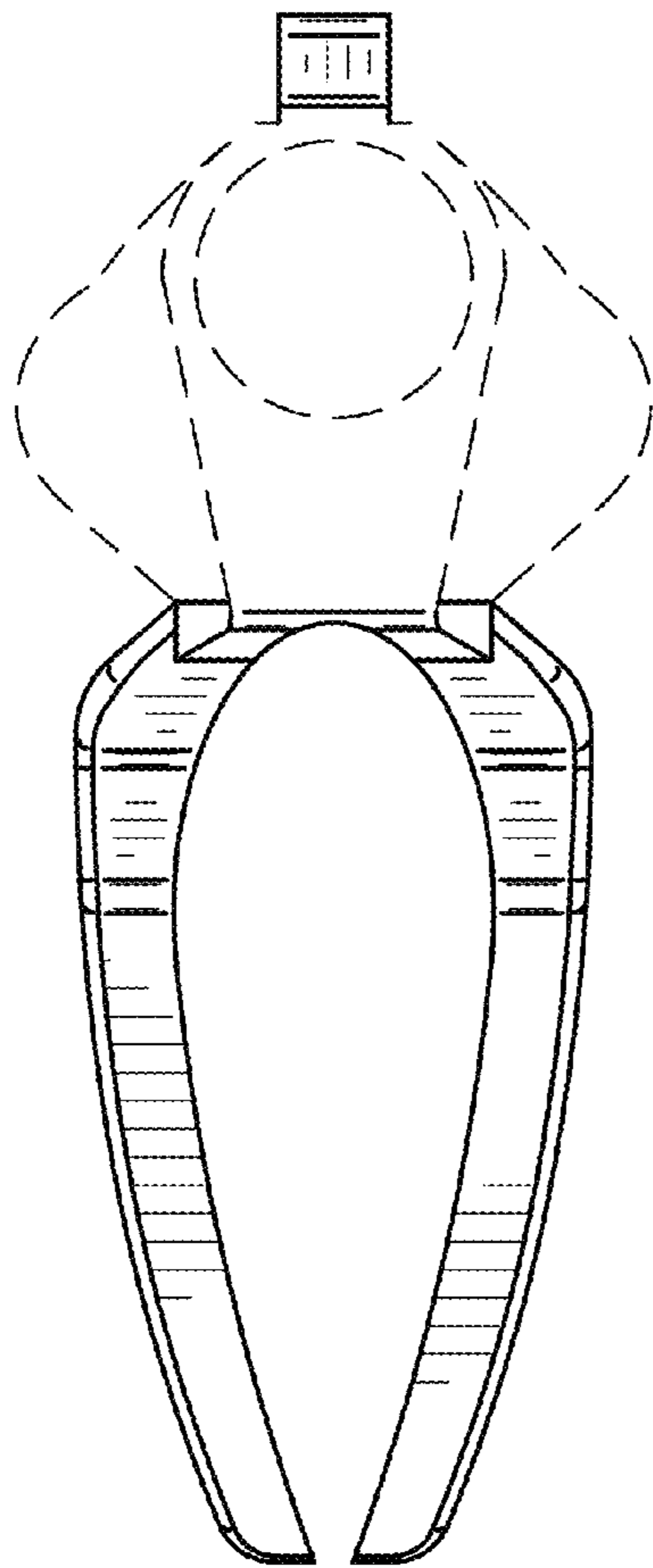


FIG. 3

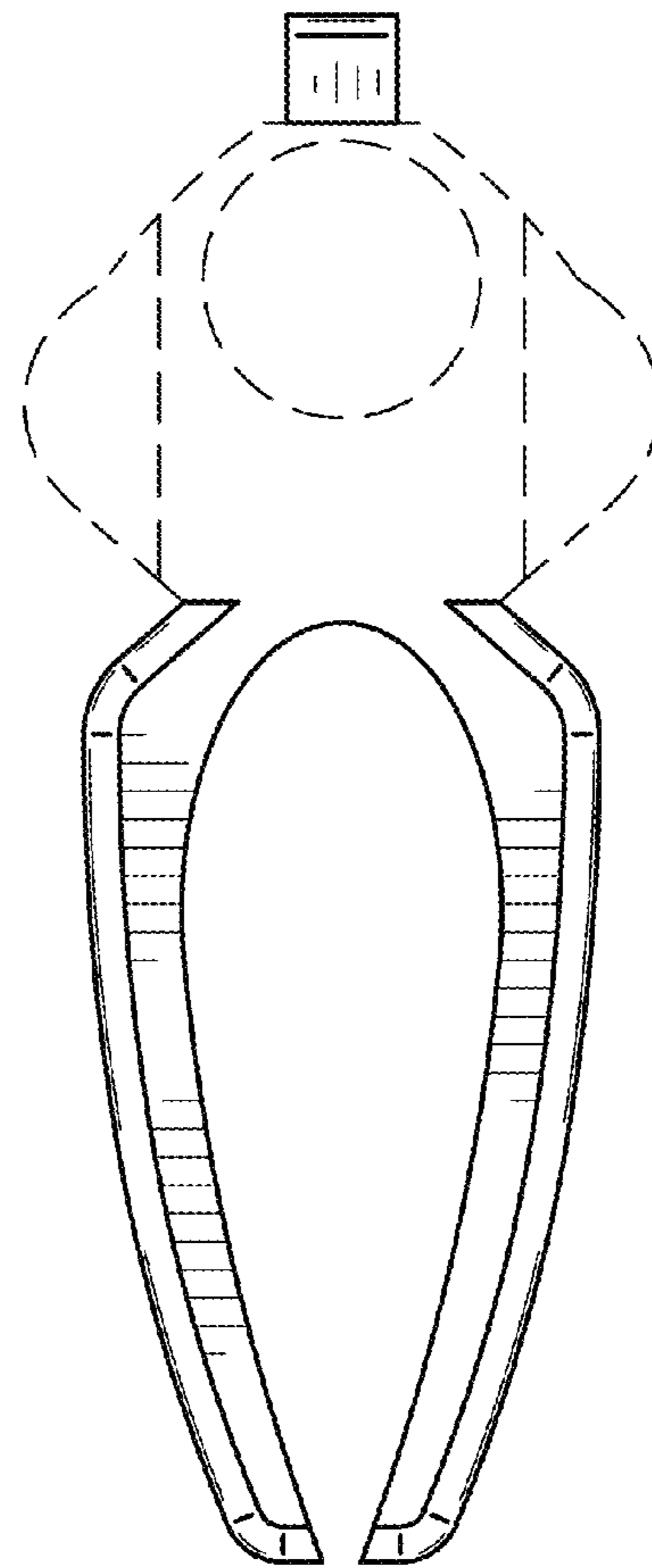


FIG. 4

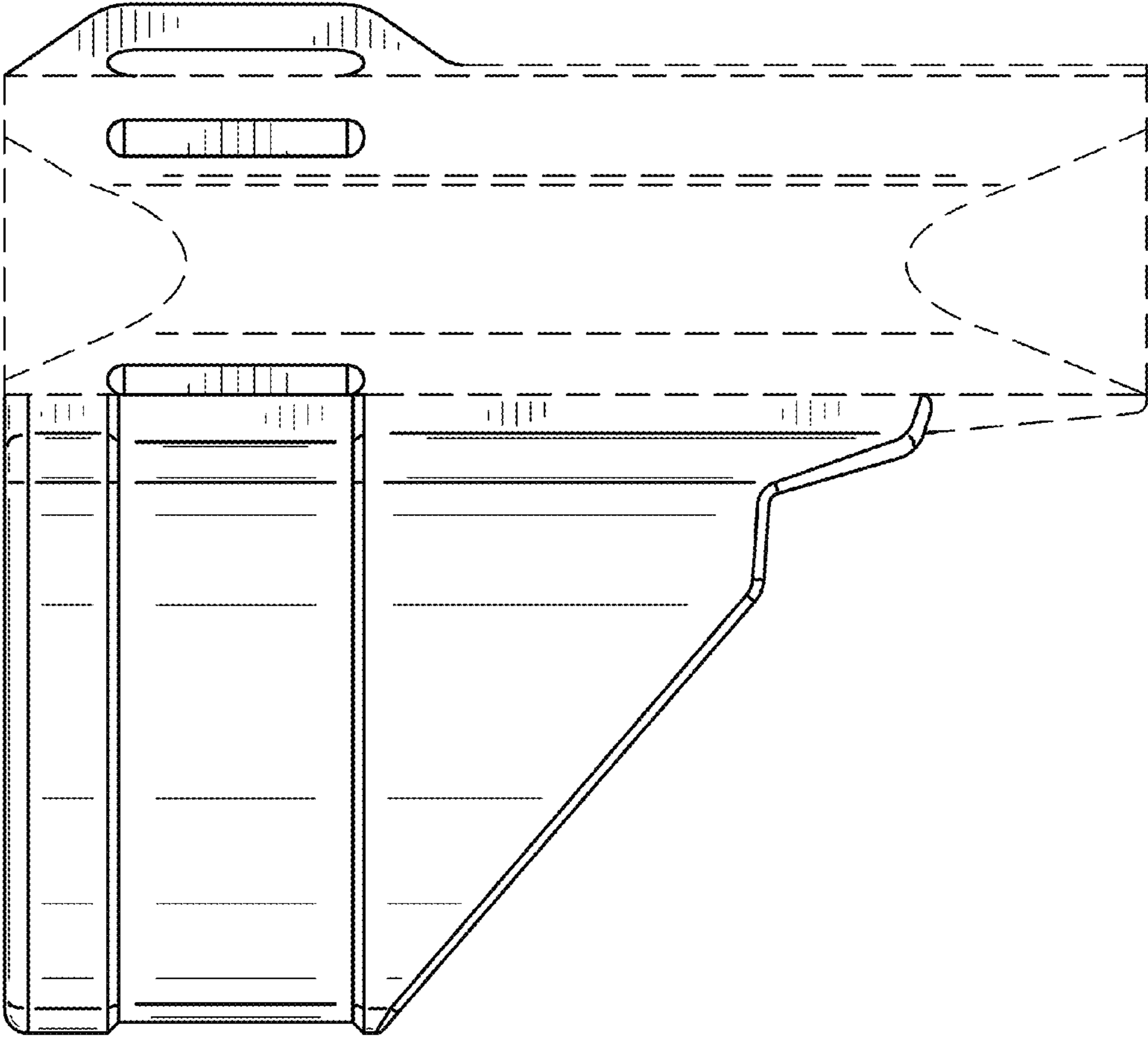


FIG. 5

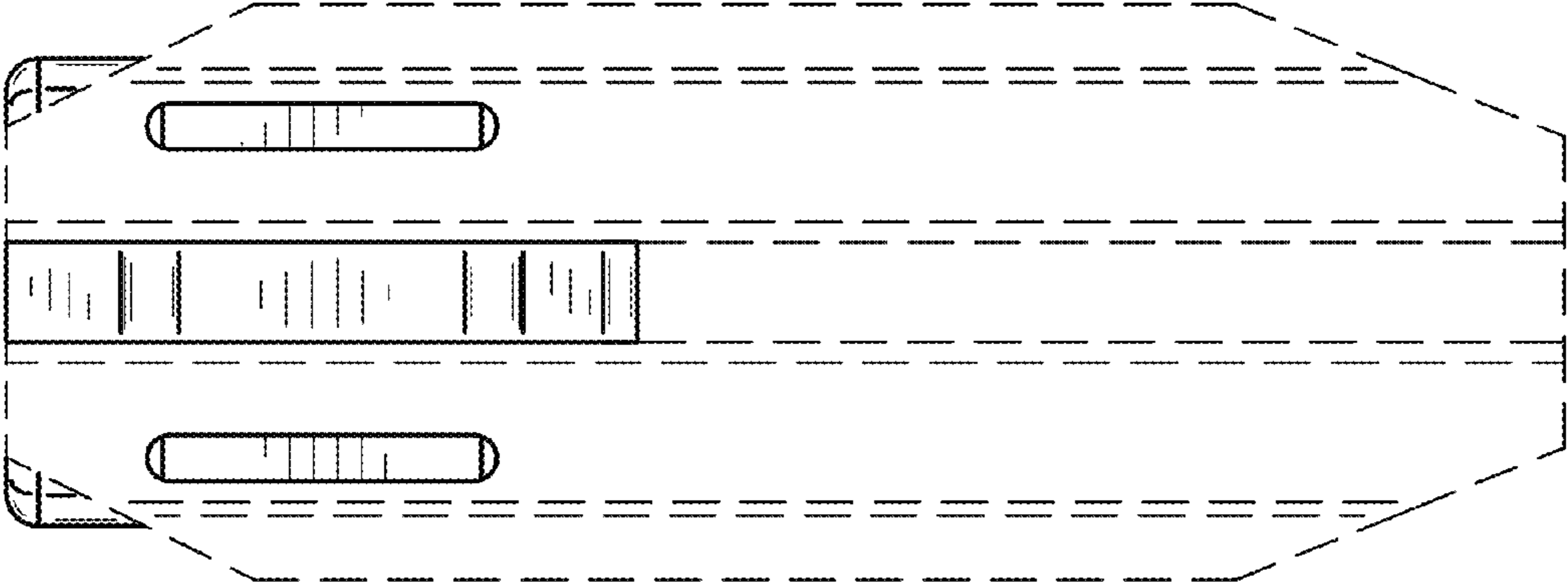


FIG. 6

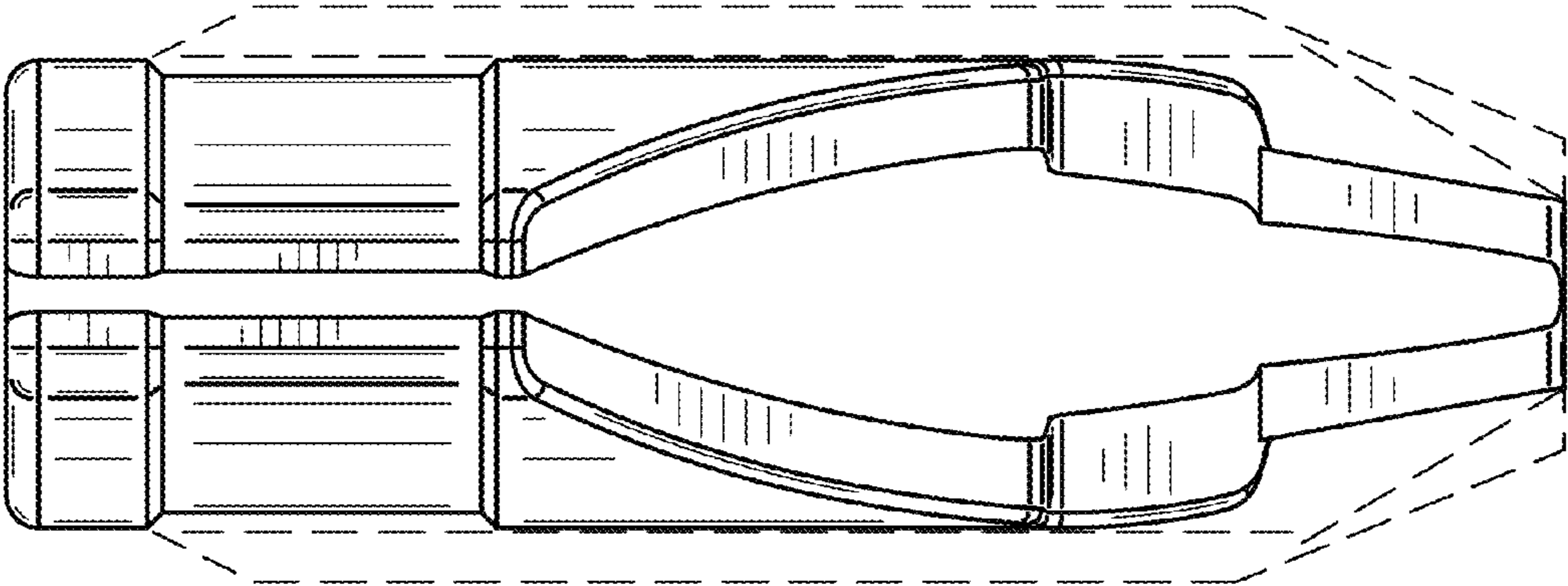


FIG. 7