



US00D706895S

(12) **United States Design Patent**
Zayatz et al.

(10) **Patent No.:** **US D706,895 S**
(45) **Date of Patent:** **** Jun. 10, 2014**

(54) **FIREARM MAGAZINE HANDLING ATTACHMENT**

(71) Applicant: **Magpul Industries Corporation**, Erie, CO (US)

(72) Inventors: **Rick Zayatz**, Berthoud, CO (US); **Nick Kielsmeier**, Thornton, CO (US); **Thomas Ward, Jr.**, Thornton, CO (US); **Richard Fitzpatrick**, Longmont, CO (US); **Brad Bennett**, Lafayette, CO (US)

(73) Assignee: **Magpul Industries Corporation**, Erie, CO (US)

(**) Term: **14 Years**

(21) Appl. No.: **29/441,131**

(22) Filed: **Dec. 31, 2012**

(51) **LOC (10) Cl.** **22-01**

(52) **U.S. Cl.**
USPC **D22/108**

(58) **Field of Classification Search**
USPC D22/108; 42/6, 7, 49.01–49.02, 50, 42/49.1; 89/33.1, 40.06, 37.04, 33.04, 89/191.01; 124/45, 66, 67, 74; 362/110
See application file for complete search history.

(56) **References Cited**

U.S. PATENT DOCUMENTS

D33,384 S	10/1900	Thorn
812,016 A	2/1906	Bye
1,027,556 A	5/1912	Marshall

(Continued)

FOREIGN PATENT DOCUMENTS

EP	0137068	4/1985
GB	3220	0/1907
GB	9490	0/1896
GB	1434300	5/1976

OTHER PUBLICATIONS

Pierce_Grip_1998_Shooting_Industry_Ad_v43_p21 Pierce Grip, advertisement (Nov. 1998)Shooting Industry 43(11):21 Publishers Development Corp., San Diego, CA USA.

Primary Examiner — Michael A Pratt

(74) *Attorney, Agent, or Firm* — Swanson & Bratschun, L.L.C.

(57) **CLAIM**

The ornamental design for a firearm magazine handling attachment, as shown and described.

DESCRIPTION

FIG. 1 is a left side elevation view of a firearm magazine handling attachment for a firearm showing our new design attached to the bottom of a firearm magazine;

FIG. 2 is a rear, left, bottom perspective view of the firearm magazine handling attachment of FIG. 1, the firearm magazine being eliminated;

FIG. 3 is front, left, top perspective view of the firearm magazine handling attachment of FIG. 1, the firearm magazine being eliminated;

FIG. 4 is a top plan view of the firearm magazine handling attachment of FIG. 1, the firearm magazine being eliminated;

FIG. 5 is a right side elevation view of the firearm magazine handling attachment of FIG. 1 with the firearm magazine being eliminated, the left side elevation view being a mirror image thereof;

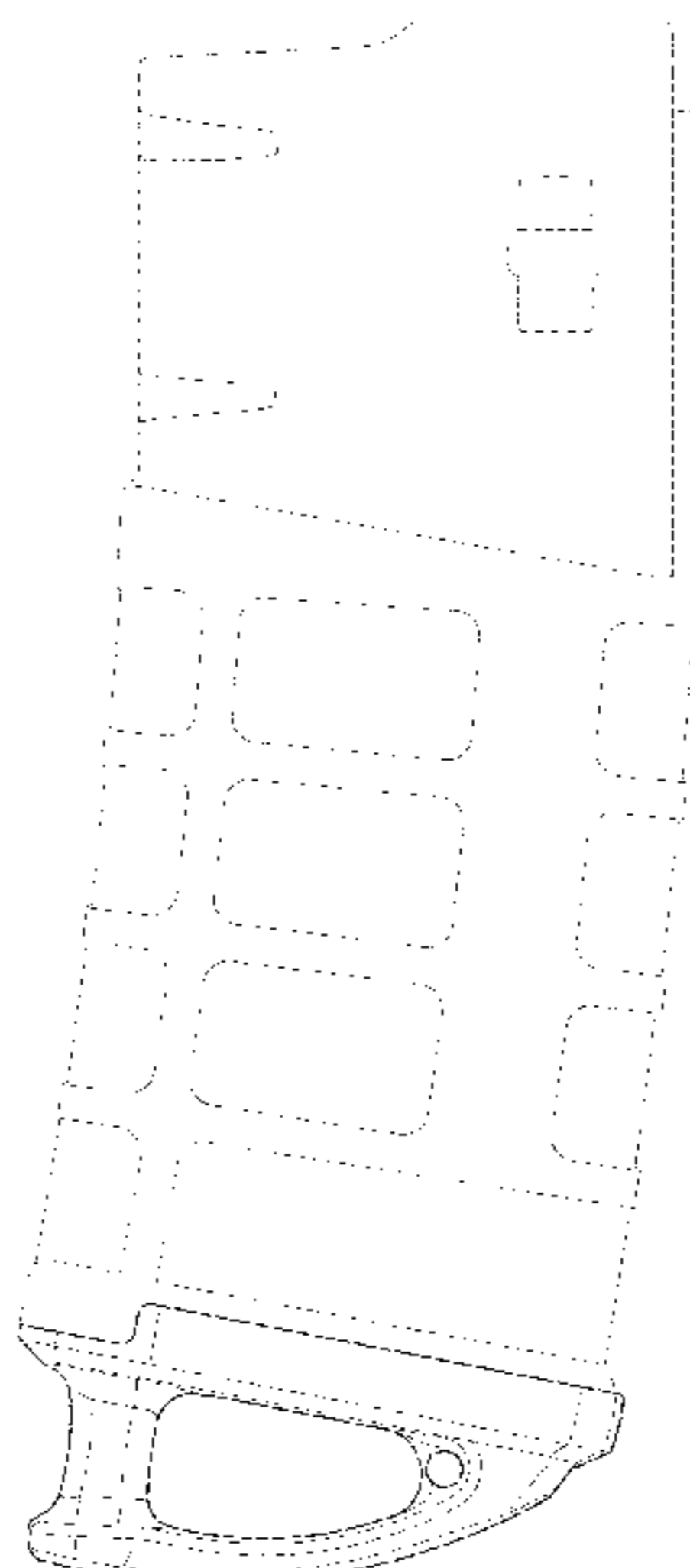
FIG. 6 is a bottom plan view of the firearm magazine handling attachment of FIG. 1, the firearm magazine being eliminated;

FIG. 7 is a rear elevation view of the firearm magazine handling attachment of FIG. 1, the firearm magazine being eliminated; and,

FIG. 8 is a front elevation view of the firearm magazine handling attachment of FIG. 1, the firearm magazine being eliminated.

The broken lines showing portions of the design in all figures is included for the purpose of illustrating environment and unclaimed features and forms not part of the claimed design.

1 Claim, 4 Drawing Sheets



(56)

References Cited

U.S. PATENT DOCUMENTS

1,245,499 A	11/1917	Orme	4,799,306 A	1/1989	Collins	
1,596,076 A	8/1926	Clancy	4,825,744 A	5/1989	Glock	
1,797,951 A	3/1931	Gaidos	4,831,761 A	5/1989	Kulakow	
2,205,967 A	6/1940	Wise	4,862,619 A	9/1989	Baldus	
2,239,798 A	4/1941	Tinnerman	4,893,546 A	1/1990	Glock	
2,609,898 A	9/1952	Finkelstein	4,912,808 A	4/1990	Blakely	
2,620,582 A	12/1952	Stukas	4,995,179 A	2/1991	Switzer	
2,655,753 A	10/1953	Salas	5,052,140 A	10/1991	Smith	
2,825,991 A	3/1958	Stadelmann	5,099,595 A *	3/1992	Chesnut et al.	42/50
3,000,527 A	9/1961	Jennings	D344,780 S	3/1994	Jenkins	
3,191,331 A	6/1965	Hurley	5,384,980 A	1/1995	Johnson	
3,191,332 A	6/1965	Ardolino	5,438,783 A	8/1995	Snieszak	
3,758,978 A	9/1973	Theodore	D362,044 S	9/1995	Snieszak	
3,803,739 A	4/1974	Haines	5,526,600 A	6/1996	Chesnut	
4,008,968 A	2/1977	Hobbs	5,557,872 A	9/1996	Langner	
4,107,863 A	8/1978	Musgrave	5,566,487 A	10/1996	Vaid	
4,139,958 A	2/1979	Foote	5,584,136 A	12/1996	Boland	
4,343,107 A	8/1982	Kaltenegger	5,642,582 A	7/1997	Grams	
4,364,150 A	12/1982	Remington	5,651,204 A	7/1997	Hulsey	
4,397,109 A	8/1983	Pachmayr	D401,992 S	12/1998	Pearce	
4,442,962 A	4/1984	Musgrave	5,906,065 A	5/1999	Pearce	
4,495,720 A	1/1985	Bross	6,212,815 B1	4/2001	Fitzpatrick	
4,514,922 A	5/1985	Farrar	6,481,136 B1	11/2002	Fitzpatrick	
4,520,585 A	6/1985	Barrett	6,557,287 B2	5/2003	Wollmann	
4,539,889 A	9/1985	Glock	D487,791 S	3/2004	Freed	
4,586,281 A	5/1986	Chesnut	D493,861 S	8/2004	Rauch	
4,592,160 A	6/1986	Bross	D529,983 S	10/2006	Yu	
4,754,689 A	7/1988	Grehl	7,117,622 B2	10/2006	Freed	
4,765,081 A	8/1988	Dieringer	D576,701 S	9/2008	Nichols	
4,796,934 A	1/1989	Kesel	D593,634 S *	6/2009	Fitzpatrick et al.	D22/108
4,796,937 A	1/1989	Andrea	8,590,202 B2 *	11/2013	Keng	42/94
			8,635,796 B2 *	1/2014	Fitzpatrick et al.	42/50
			2013/0081315 A1 *	4/2013	Thordsen	42/49.01

* cited by examiner

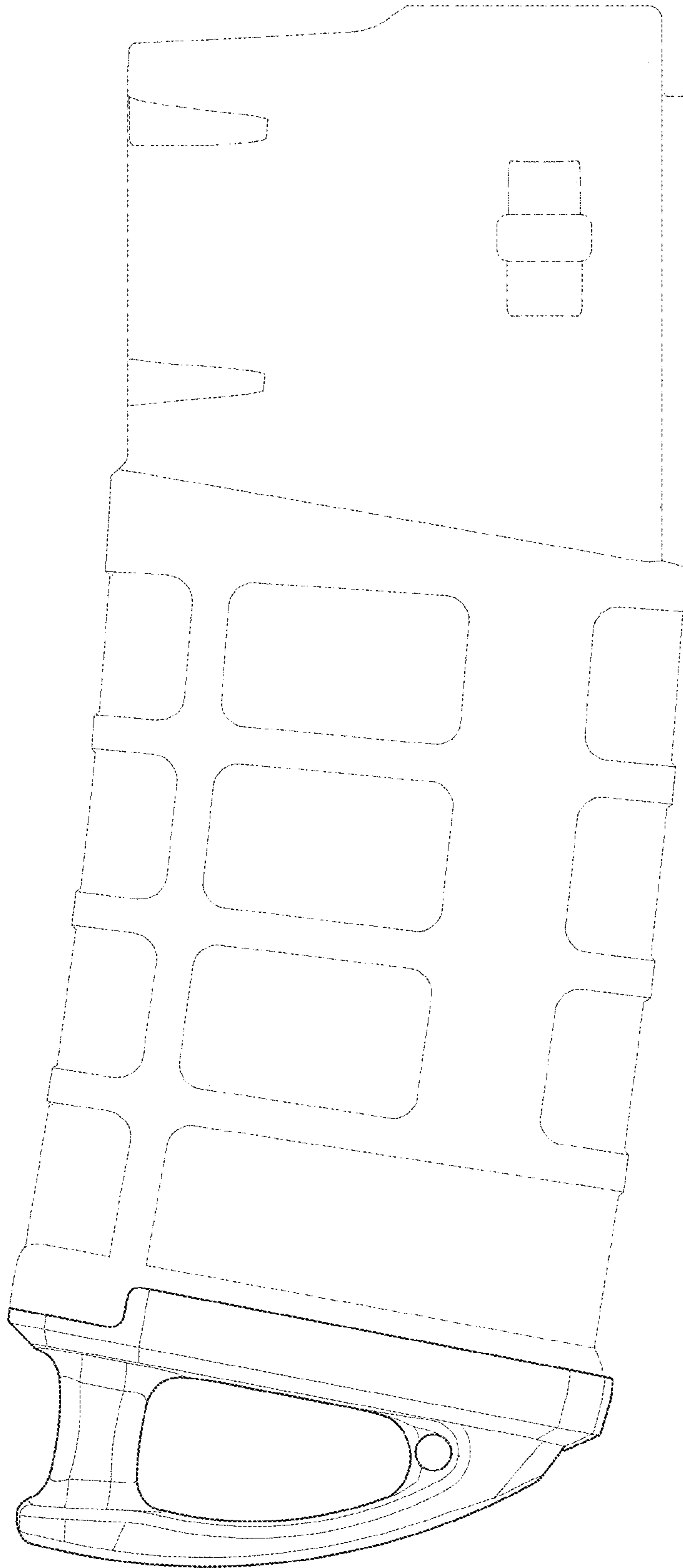


FIG. 1

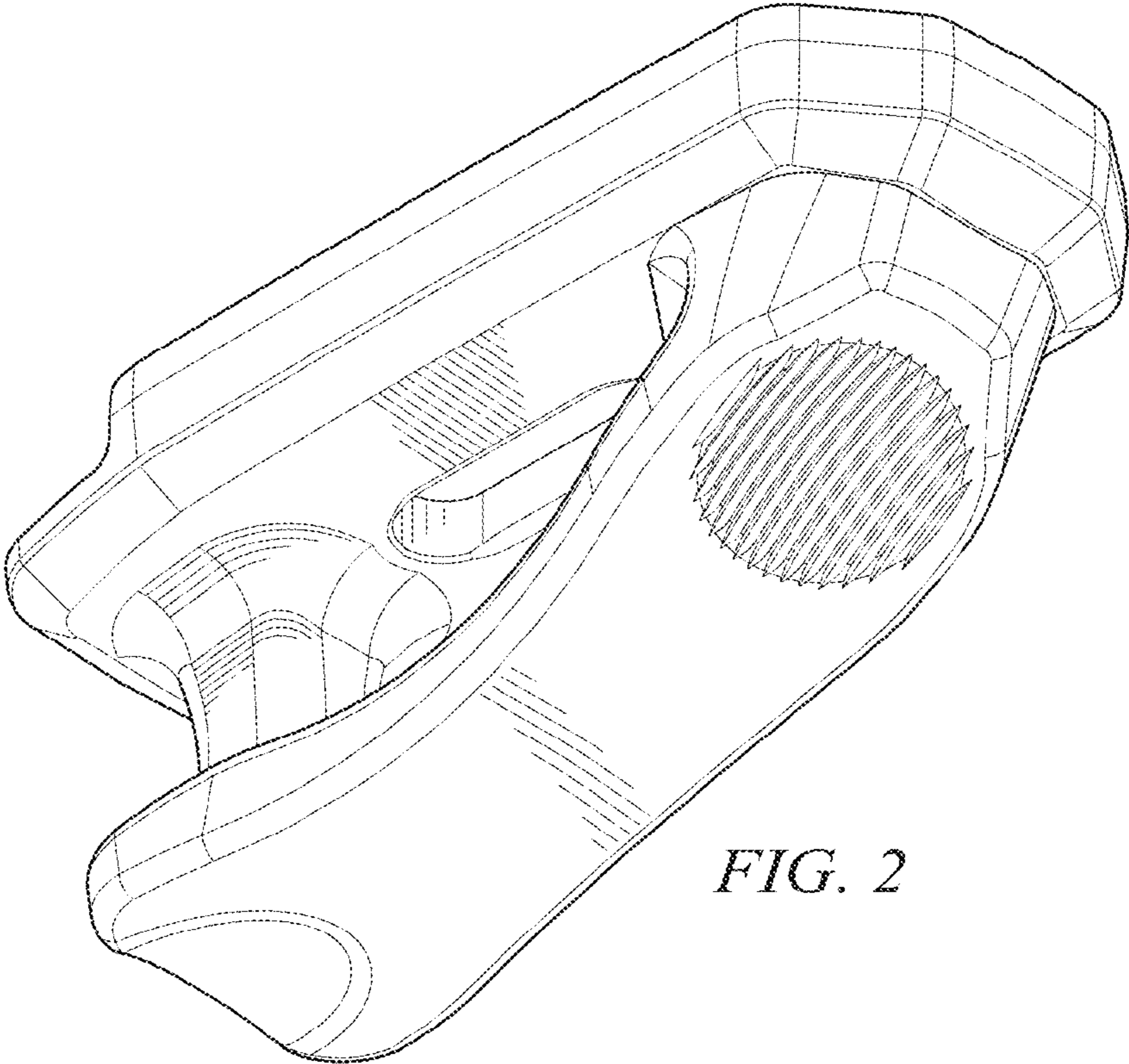


FIG. 2

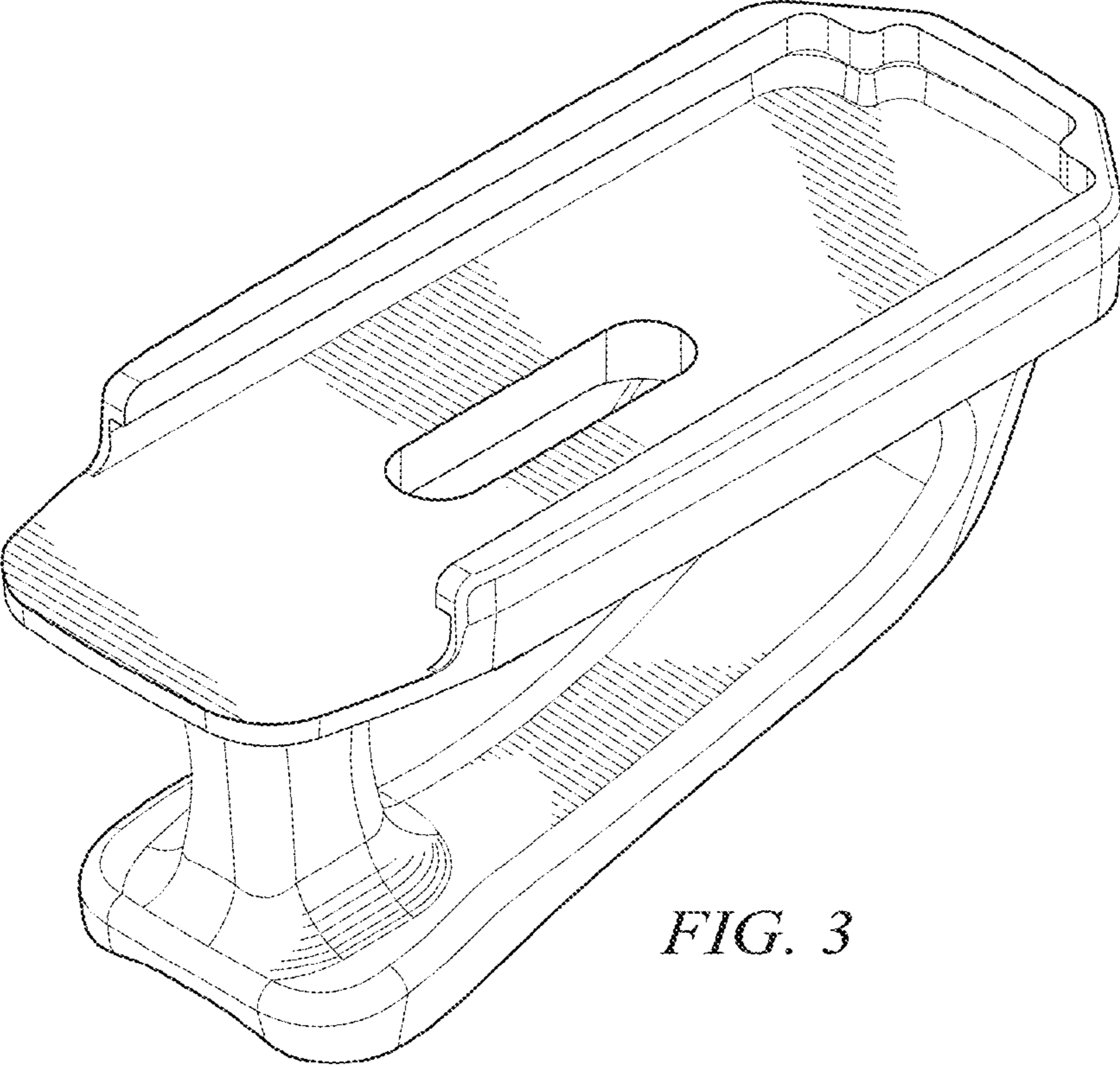


FIG. 3

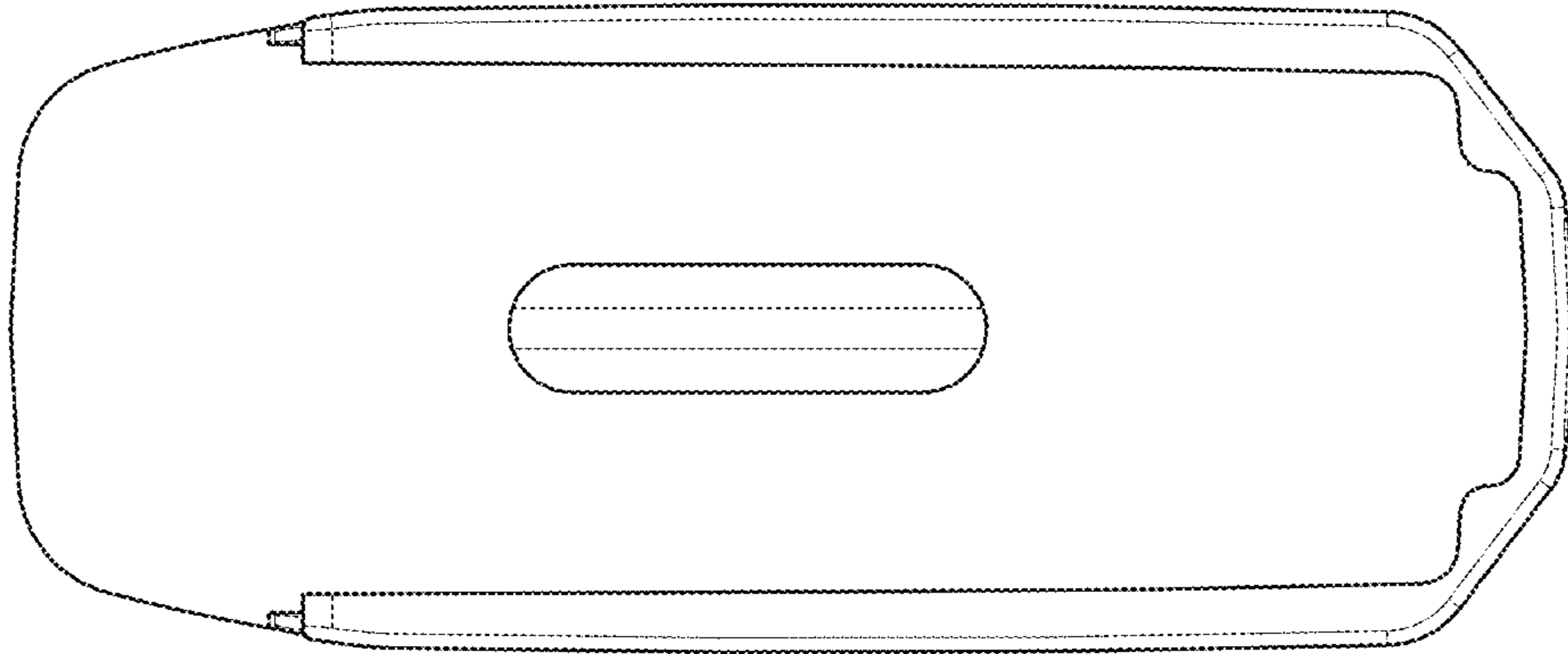


FIG. 4

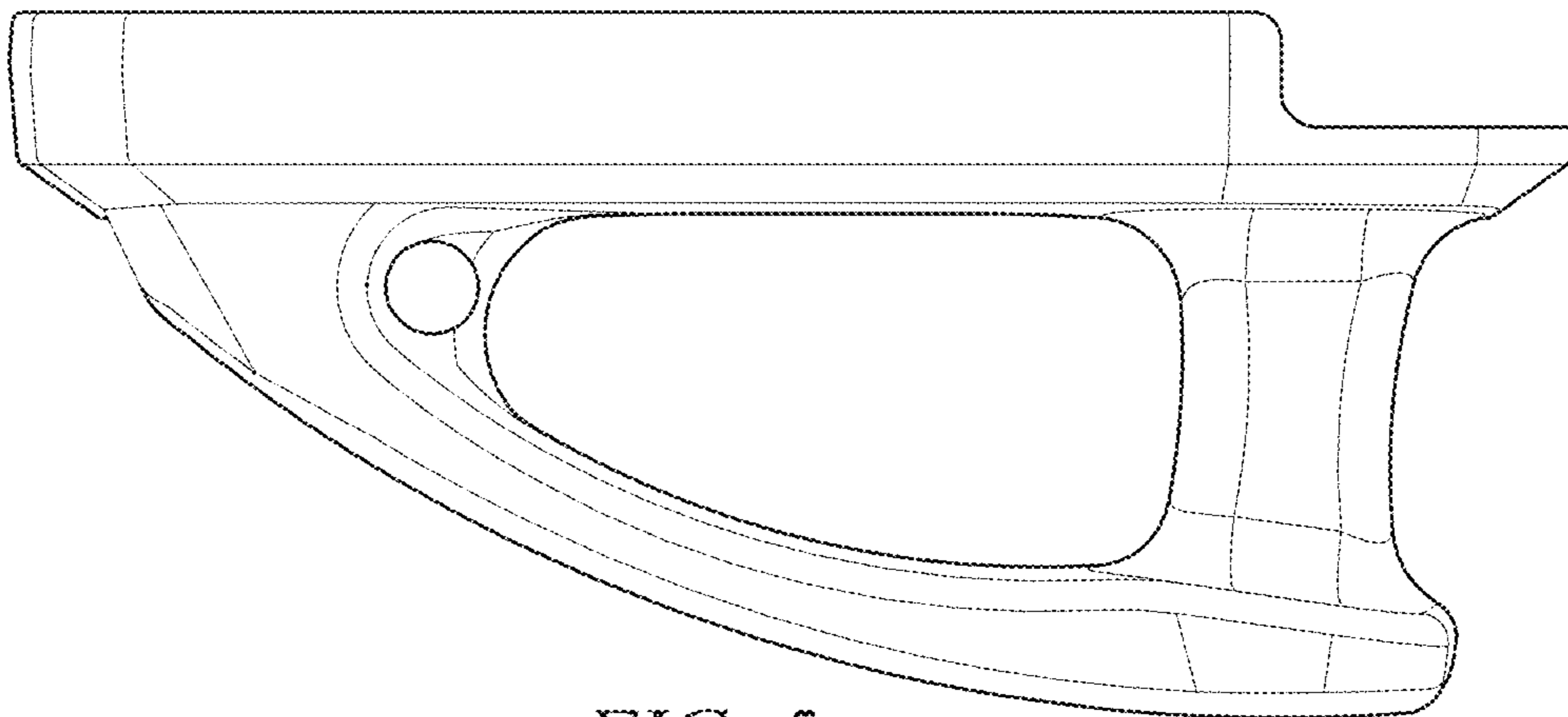


FIG. 5

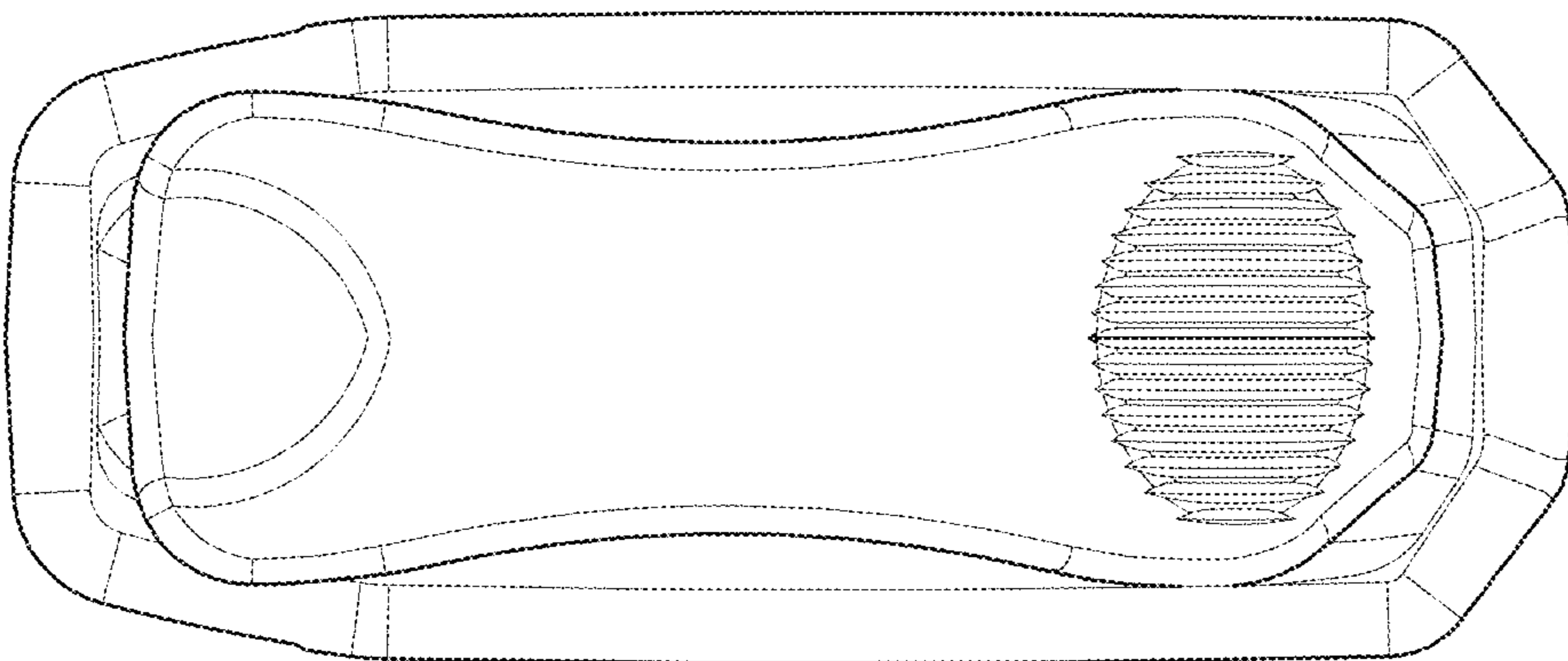


FIG. 6

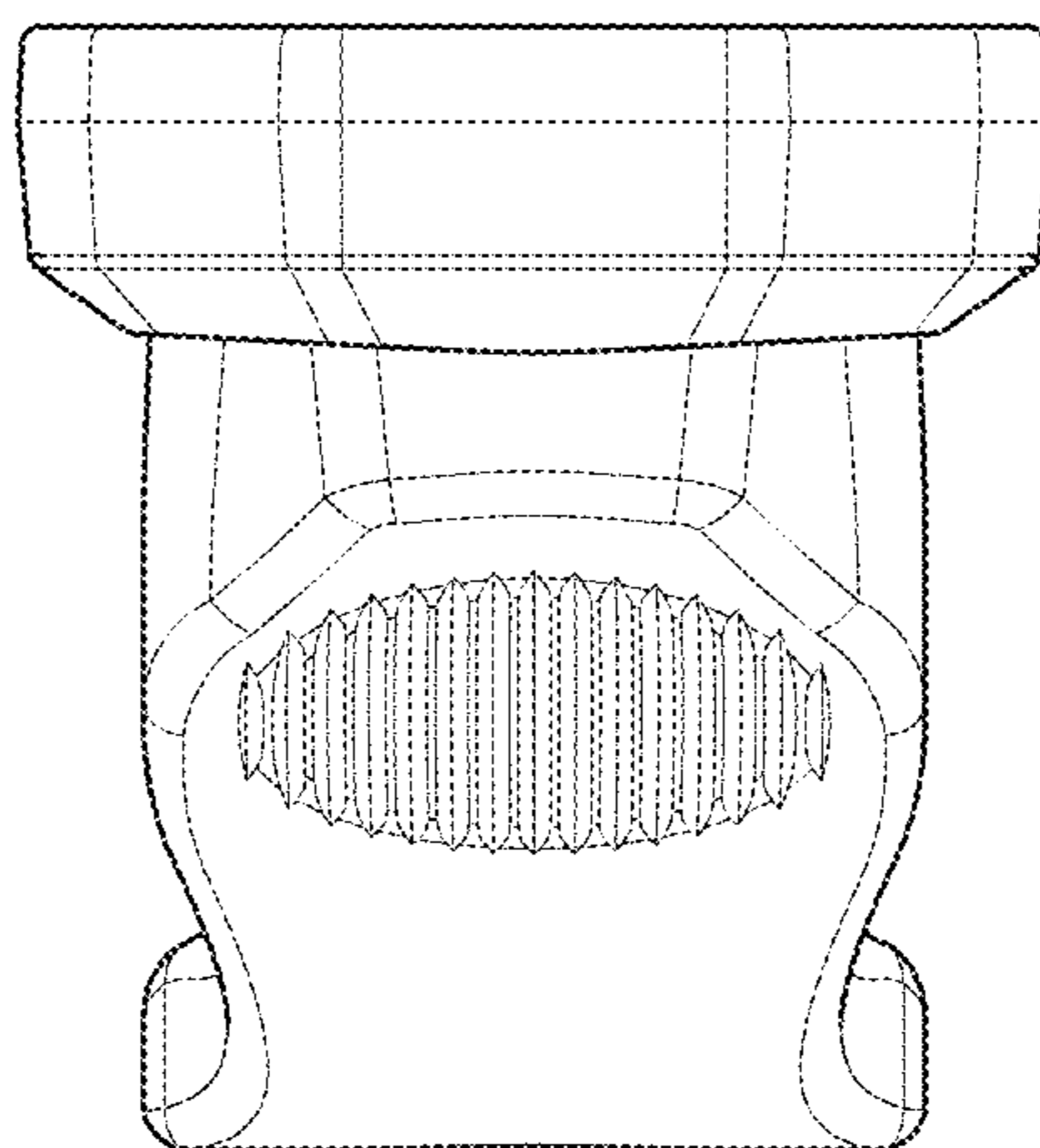


FIG. 7

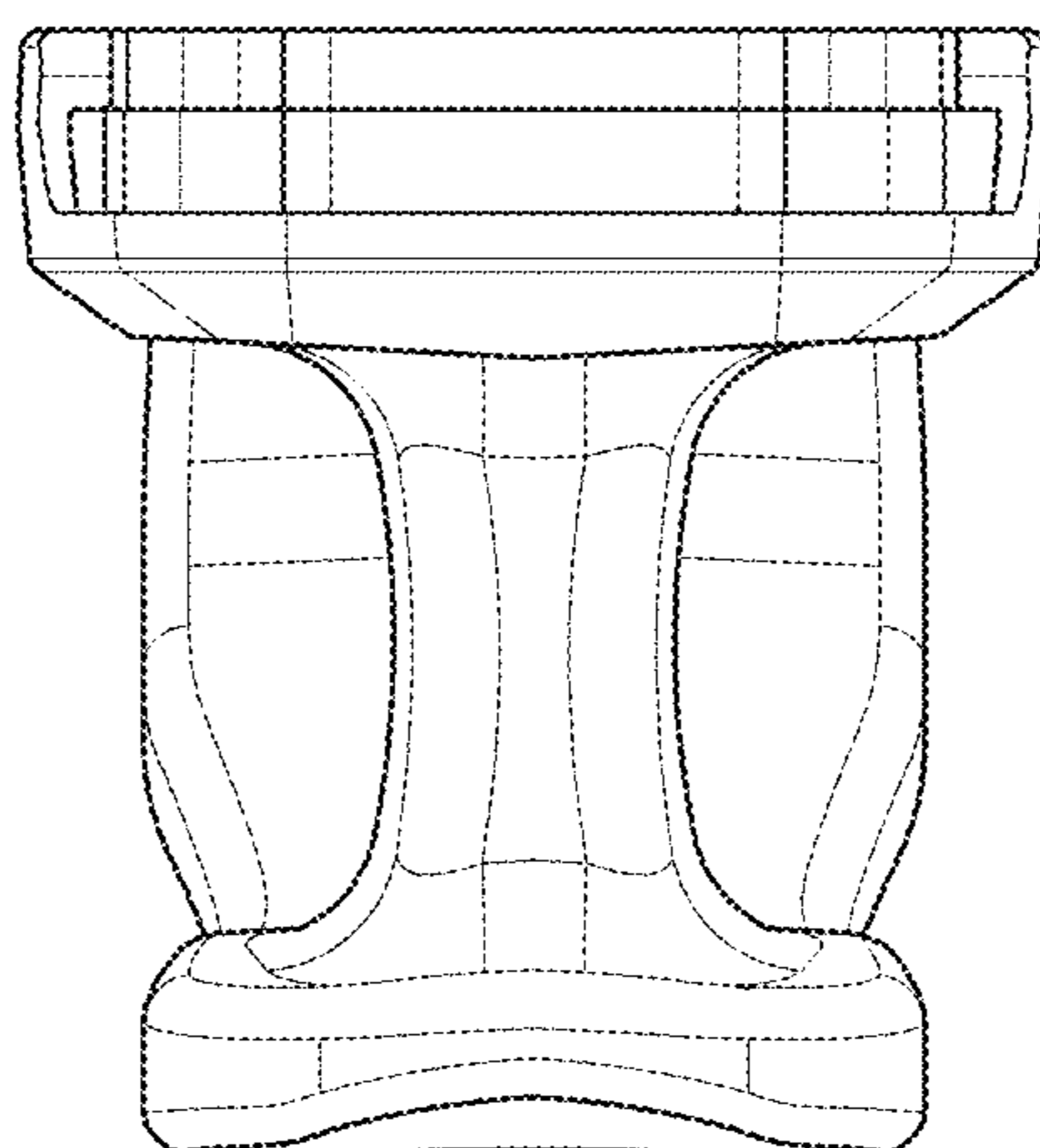


FIG. 8