



US00D706894S

(12) **United States Design Patent**
Clifton, Jr.

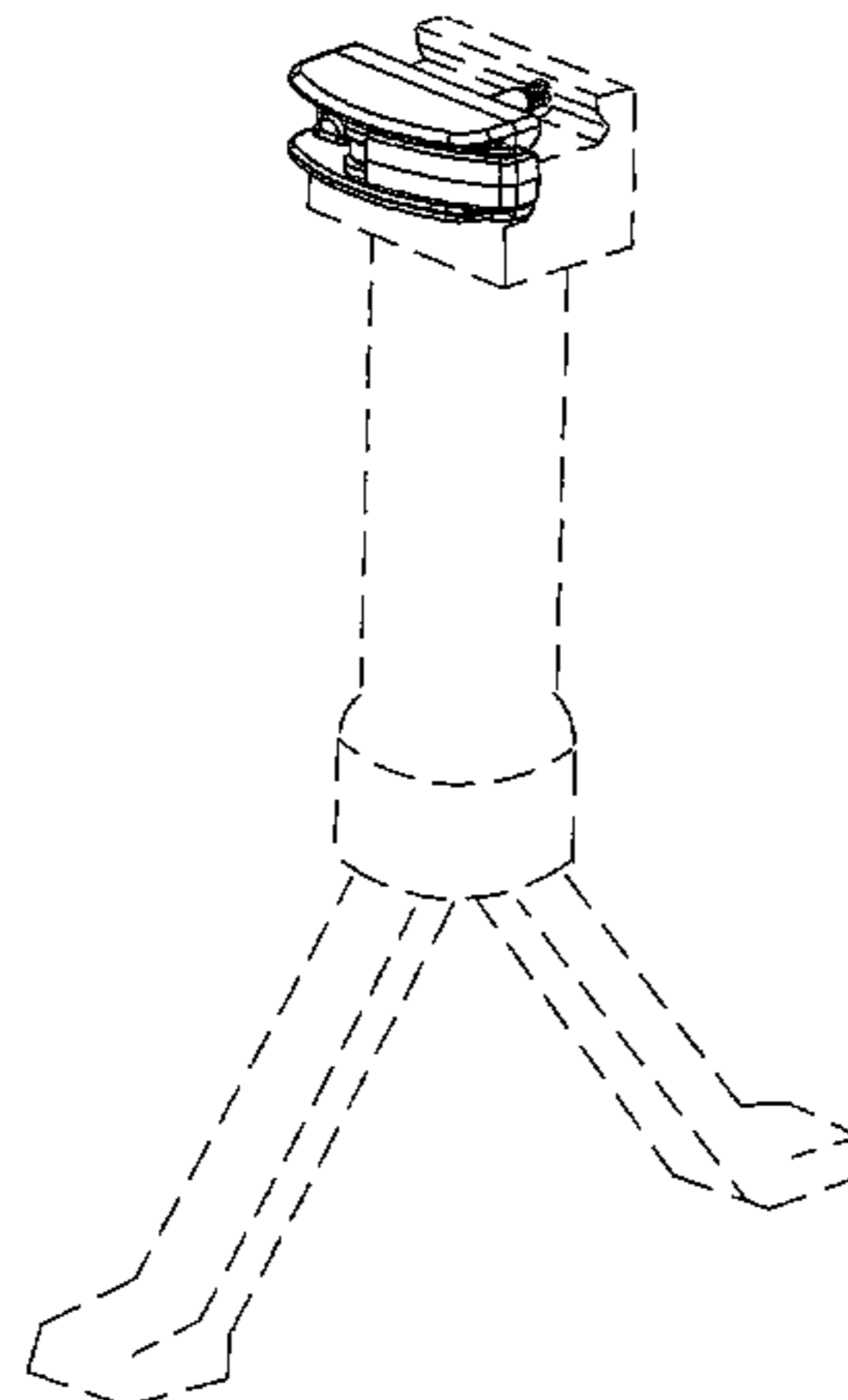
(10) **Patent No.:** **US D706,894 S**
(45) **Date of Patent:** **** Jun. 10, 2014**

- (54) **CAM LEVER MOUNT FOR ATTACHING FIREARM ACCESSORIES TO PICATINNY RAILS ON FIREARMS**
- (71) Applicant: **Norman E. Clifton, Jr.**, Jacksonville, FL (US)
- (72) Inventor: **Norman E. Clifton, Jr.**, Jacksonville, FL (US)
- (73) Assignee: **Grip Pod Systems International, LLC**, Naples, FL (US)
- (**) Term: **14 Years**
- (21) Appl. No.: **29/440,508**
- (22) Filed: **Dec. 21, 2012**
- (51) **LOC (10) Cl.** **22-01**
- (52) **U.S. Cl.**
USPC **D22/108**
- (58) **Field of Classification Search**
USPC D22/108–110; D8/382–383, 394–396;
42/111, 133, 119, 122, 124, 127;
439/266, 476.1, 754–755, 757, 759,
439/769, 773
See application file for complete search history.

5,333,023	A	7/1994	Oxford
5,429,332	A	7/1995	Ishikawa
5,775,352	A	7/1998	Obitts
5,870,641	A	2/1999	Chrosziel
6,164,843	A	12/2000	Battocchio
6,637,144	B2	10/2003	Nelson et al.
6,712,322	B2	3/2004	Nakatani
6,739,559	B2	5/2004	Nakatani
6,773,172	B1	8/2004	Johnson
6,931,778	B1	8/2005	Nelson
7,077,582	B2	7/2006	Johnson
7,107,716	B1	9/2006	Liao
7,272,904	B2	9/2007	Larue
7,562,485	B2	7/2009	Newhall
7,572,074	B2	8/2009	Teratani
7,588,376	B2	9/2009	Friedrich
7,685,759	B2	3/2010	Teetzel
7,712,242	B2	5/2010	Matthews
7,775,201	B2	8/2010	Cooper
7,823,316	B2	11/2010	Storch
7,828,256	B2	11/2010	Speggiorin
7,841,784	B2	11/2010	Elias
7,905,045	B1	3/2011	Swan
D637,260	S	5/2011	Swan
D638,089	S *	5/2011	Ding D22/109
7,941,960	B2	5/2011	Matthews
7,946,771	B2	5/2011	Boneschanscher
8,112,933	B1	2/2012	Swan
8,127,484	B2	3/2012	Matthews
D672,839	S *	12/2012	Ding D22/109
8,336,247	B2	12/2012	Haering
8,393,105	B1 *	3/2013	Thummel 42/90
8,397,421	B2	3/2013	Ding
8,438,773	B2 *	5/2013	Carlson et al. 42/90
8,438,965	B2	5/2013	Collin
8,567,105	B1	10/2013	Bobro
8,578,647	B2	11/2013	Storch
2002/0162267	A1	11/2002	Nelson
2003/0218108	A1	11/2003	Werner
2005/0041966	A1	2/2005	Johnson
2006/0117636	A1	6/2006	Newhall
2007/0068058	A1 *	3/2007	Remo 42/122
2008/0092421	A1	4/2008	Beckmann
2010/0162611	A1 *	7/2010	Samson et al. 42/125
2011/0067287	A1	3/2011	Collin
2011/0076095	A1	3/2011	Storch
2011/0146128	A1	6/2011	Haering
2011/0173866	A1	7/2011	Matthews
2011/0247255	A1	10/2011	Ding
2012/0102853	A1 *	5/2012	Rizzo 52/173.3
2012/0167438	A1	7/2012	Daniel
2012/0198745	A1	8/2012	Riler

(56) **References Cited**
U.S. PATENT DOCUMENTS

2,351,386	A	6/1944	Zucker
2,439,483	A	4/1948	Merriman
2,824,504	A	2/1958	Bethmann
2,840,334	A	6/1958	Cauthen
3,006,052	A	10/1961	Stickney
3,324,558	A	6/1967	Hart
3,356,325	A	12/1967	Schnase
3,549,113	A	12/1970	Pagliuso
3,612,462	A	10/1971	Mooney
3,765,061	A	10/1973	Nash
4,525,052	A	6/1985	Kosugi
4,845,871	A	7/1989	Swan
4,929,973	A	5/1990	Nakatani
5,155,915	A	10/1992	Repa
5,230,490	A	7/1993	Sloop



2013/0134286 A1 5/2013 Yan
2013/0318845 A1 12/2013 Kincel
2013/0318849 A1 12/2013 Kincel

OTHER PUBLICATIONS

Clifton, U.S. Appl. No. 13/774,649, Office Action Summary mailed Dec. 17, 2013, 11 pages.

* cited by examiner

Primary Examiner — Michael A Pratt
(74) *Attorney, Agent, or Firm* — Brian S. Steinberger; Law Offices of Brian S. Steinberger, P.A.

(57) **CLAIM**

The ornamental design for ornamental design for a cam lever mount for attaching firearm accessories to picatinny rails on firearms, as shown and described.

DESCRIPTION

FIG. 1 is an upper front right perspective view of the cam lever mount for attaching firearm accessories to picatinny rails on firearms with cam lever in closed position.

FIG. 2 is a right side view of the cam lever mount on firearm accessory of FIG. 1.

FIG. 3 is a left side view of the cam lever mount on firearm accessory of FIG. 1.

FIG. 4 is a front side view of the cam lever mount on firearm accessory of FIG. 1.

FIG. 5 is a rear side view of the cam lever mount on firearm accessory of FIG. 1.

FIG. 6 is a top view of the cam lever mount on firearm accessory of FIG. 1.

FIG. 7 is a bottom view of the cam lever mount on firearm accessory of FIG. 1.

FIG. 8 is an upper front right perspective view of the cam lever mount for attaching firearm accessories to picatinny rails on firearms with cam lever in open position.

FIG. 9 is a right side view of the cam lever mount on firearm accessory of FIG. 8.

FIG. 10 is a left side view of the cam lever mount on firearm accessory of FIG. 8.

FIG. 11 is a front side view of the cam lever mount on firearm accessory of FIG. 8.

FIG. 12 is a rear side view of the cam lever mount on firearm accessory of FIG. 8.

FIG. 13 is a top view of the cam lever mount on firearm accessory of FIG. 8.

FIG. 14 is a bottom view of the cam lever mount on firearm accessory of FIG. 8.

FIG. 15 is an upper front right perspective view of the closed cam lever mount of FIG. 1.

FIG. 16 is an upper rear left perspective view of the closed cam lever mount of FIG. 15.

FIG. 17 is an upper front left perspective view of the closed cam lever mount of FIG. 15.

FIG. 18 is an upper rear right perspective view of the closed cam lever mount of FIG. 15.

FIG. 19 is a bottom view of the closed cam lever mount of FIG. 15.

FIG. 20 is a right side view of the closed cam lever mount of FIG. 15.

FIG. 21 is an upper front right perspective view of the open cam lever mount of FIG. 8.

FIG. 22 is an upper rear left perspective view of the open cam lever mount of FIG. 21.

FIG. 23 is an upper front left perspective view of the open cam lever mount of FIG. 21.

FIG. 24 is an upper rear right perspective view of the open cam lever mount of FIG. 21.

FIG. 25 is a bottom side view of the open cam lever mount of FIG. 21.

FIG. 26 is a right side view of the open cam lever mount of FIG. 21.

FIG. 27 is an exploded view of the cam lever mount of FIG. 1.

FIG. 28 is a lower left front perspective view of the cam lever of FIG. 1.

FIG. 29 is an upper right front perspective view of the cam lever of FIG. 28.

FIG. 30 is a top view of the cam lever of FIG. 28.

FIG. 31 is a front view of the cam lever of FIG. 28.

FIG. 32 is a bottom view of the cam lever of FIG. 28.

FIG. 33 is a left side view of the cam lever of FIG. 28; and,

FIG. 34 is a right side view of the cam lever of FIG. 28.

The broken lines in FIGS. 1-14 are for illustrative purposes and form no part of the claimed design.

1 Claim, 20 Drawing Sheets

FIG. 1

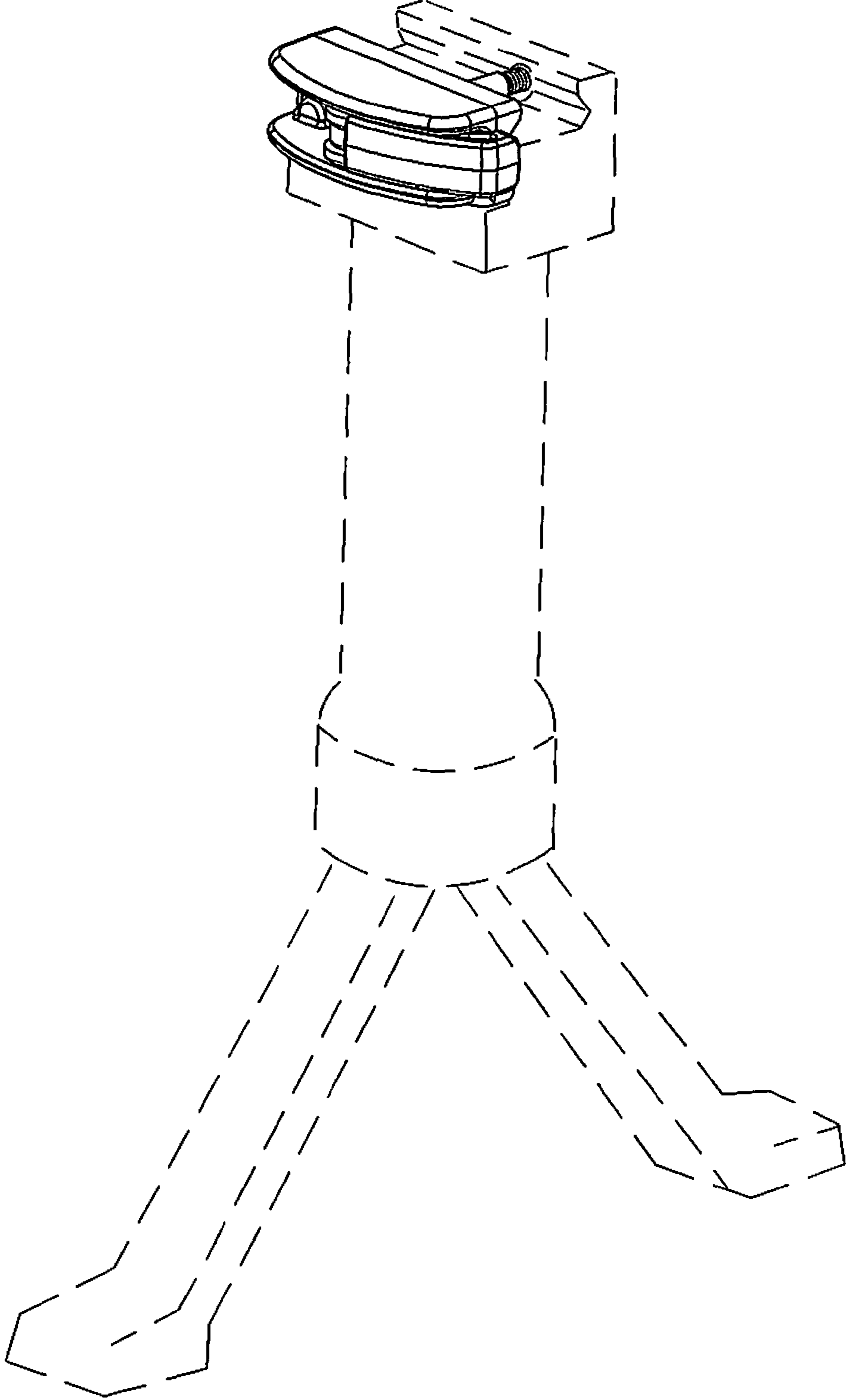


FIG. 2

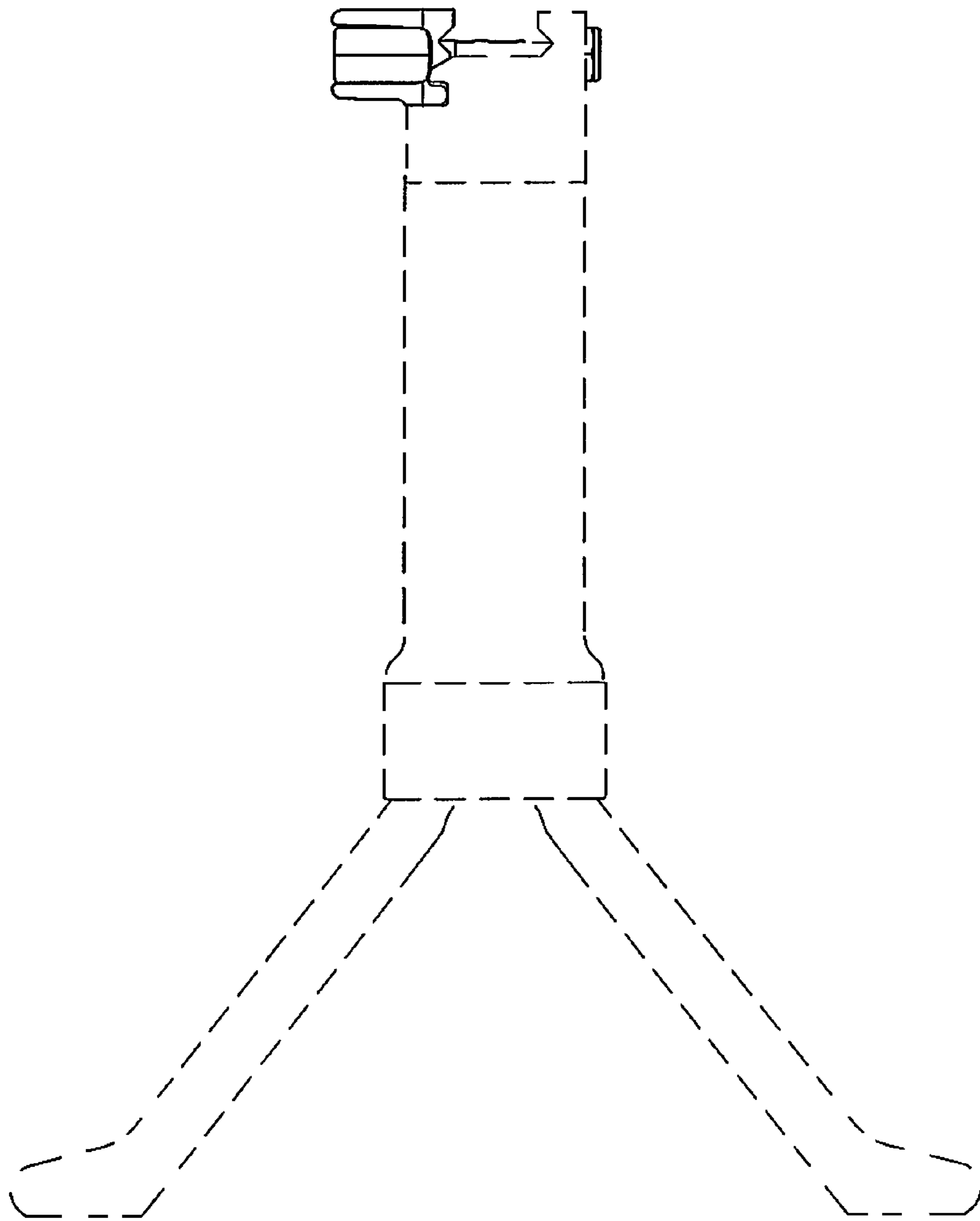


FIG. 3

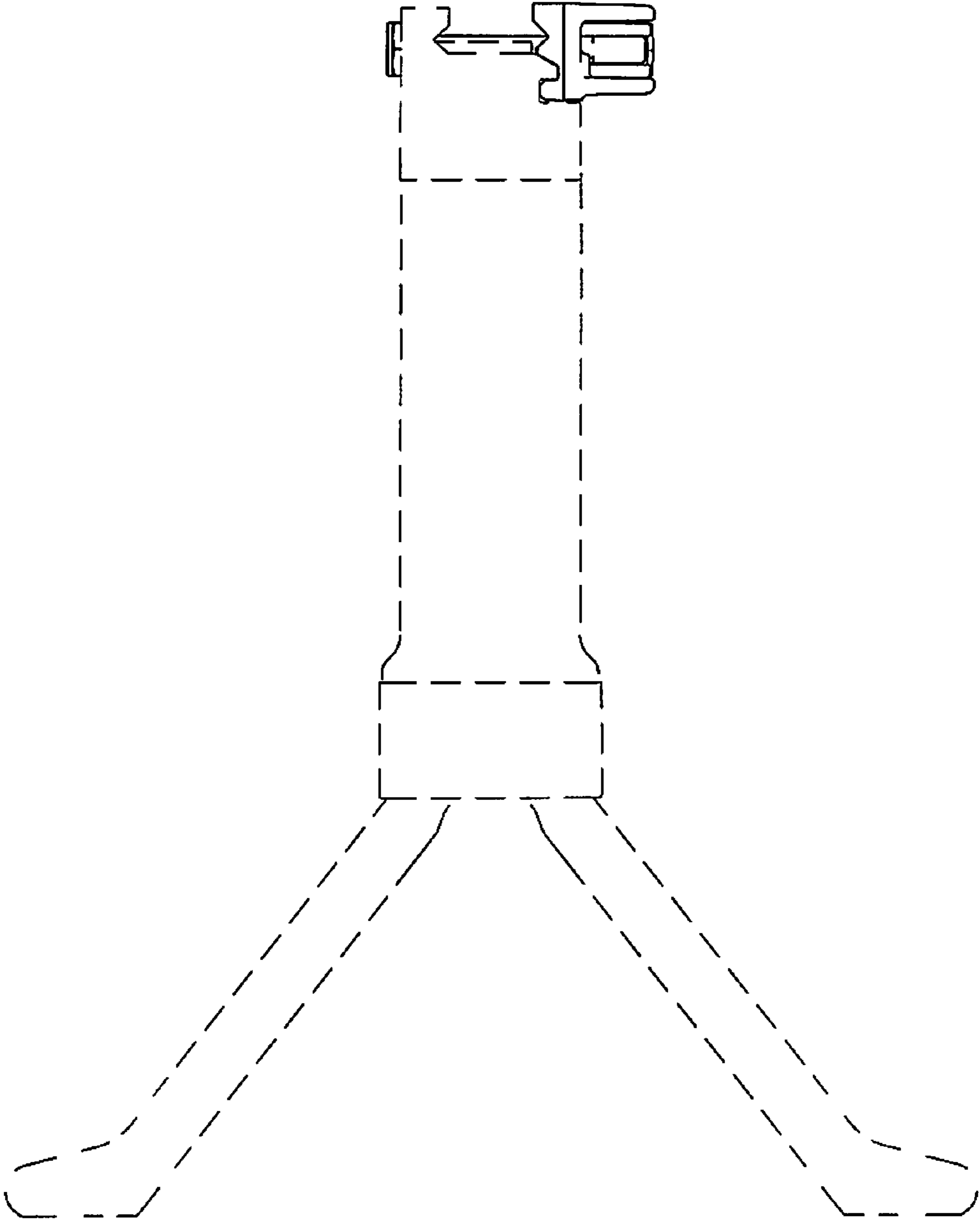


FIG. 5

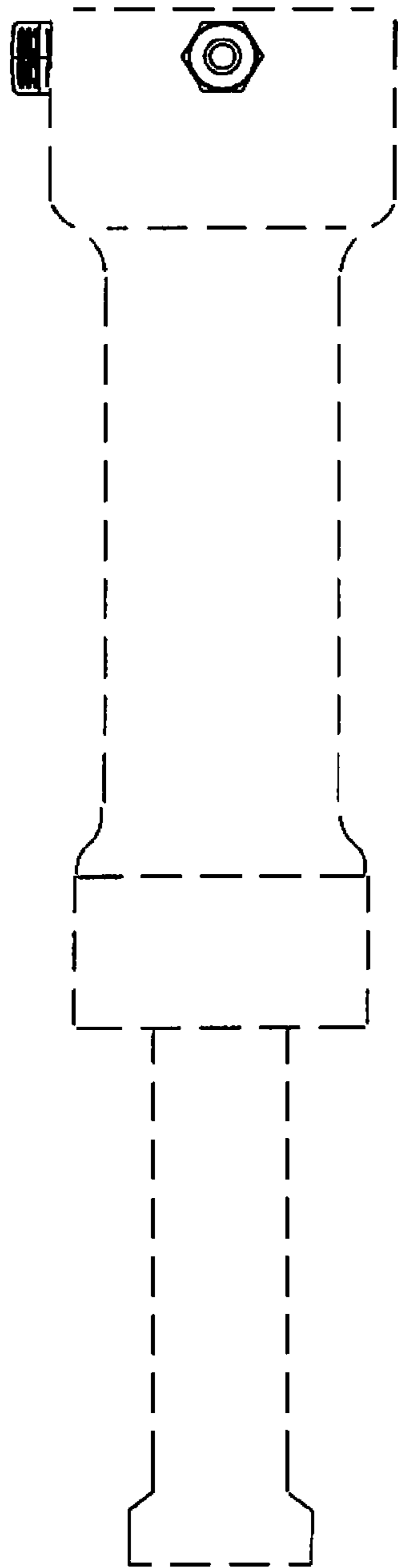


FIG. 4

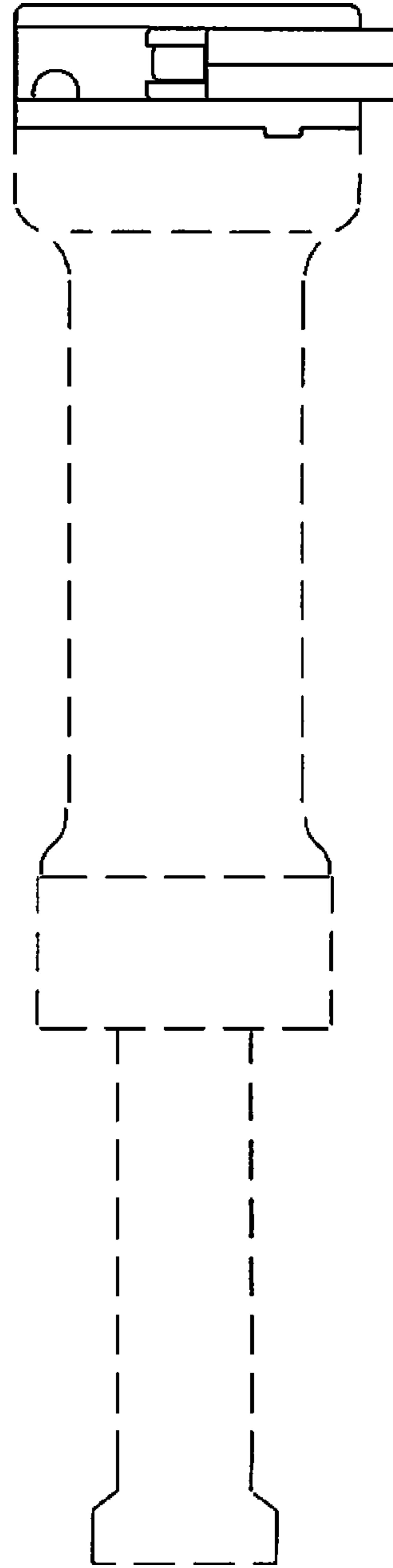


FIG. 7

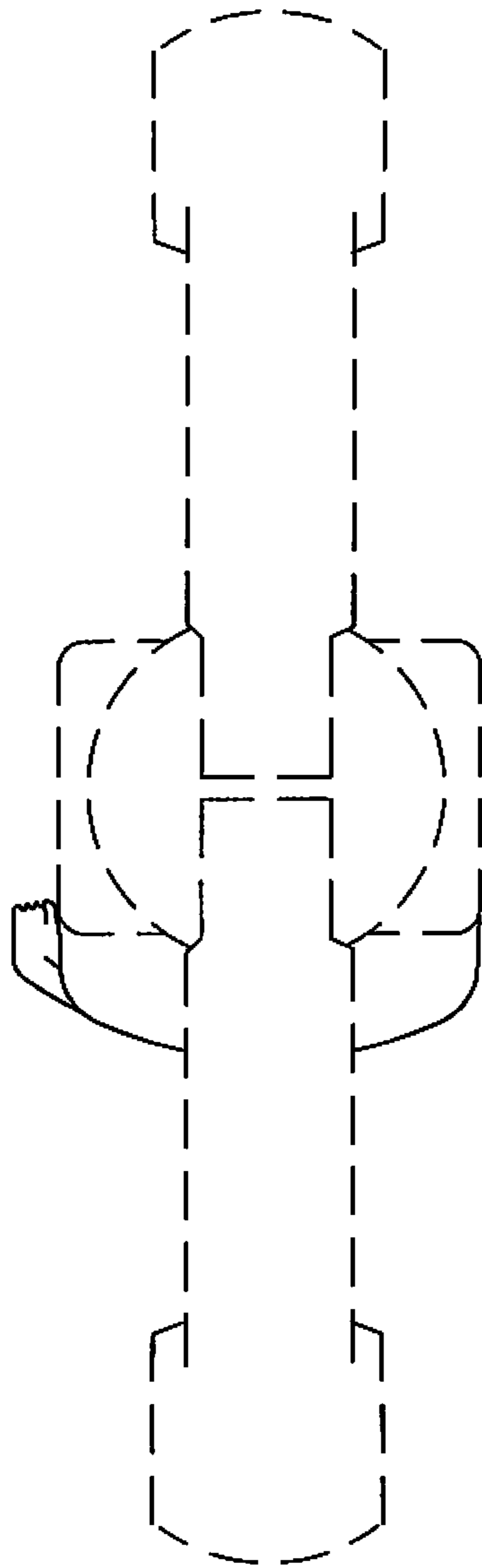


FIG. 6

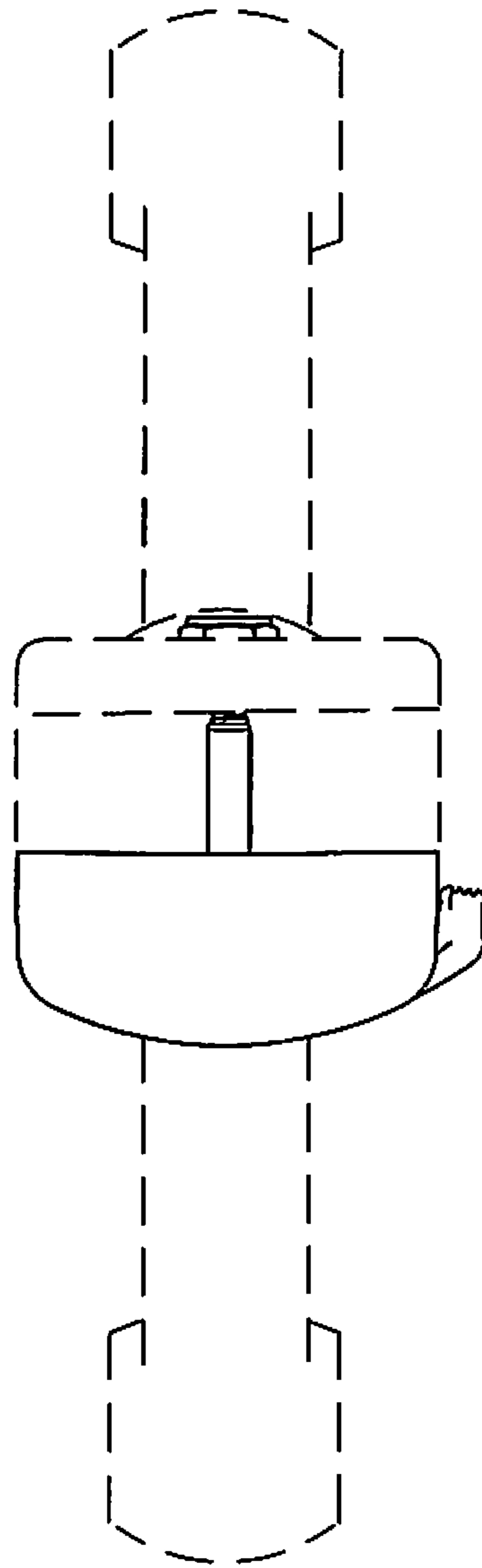


FIG. 8

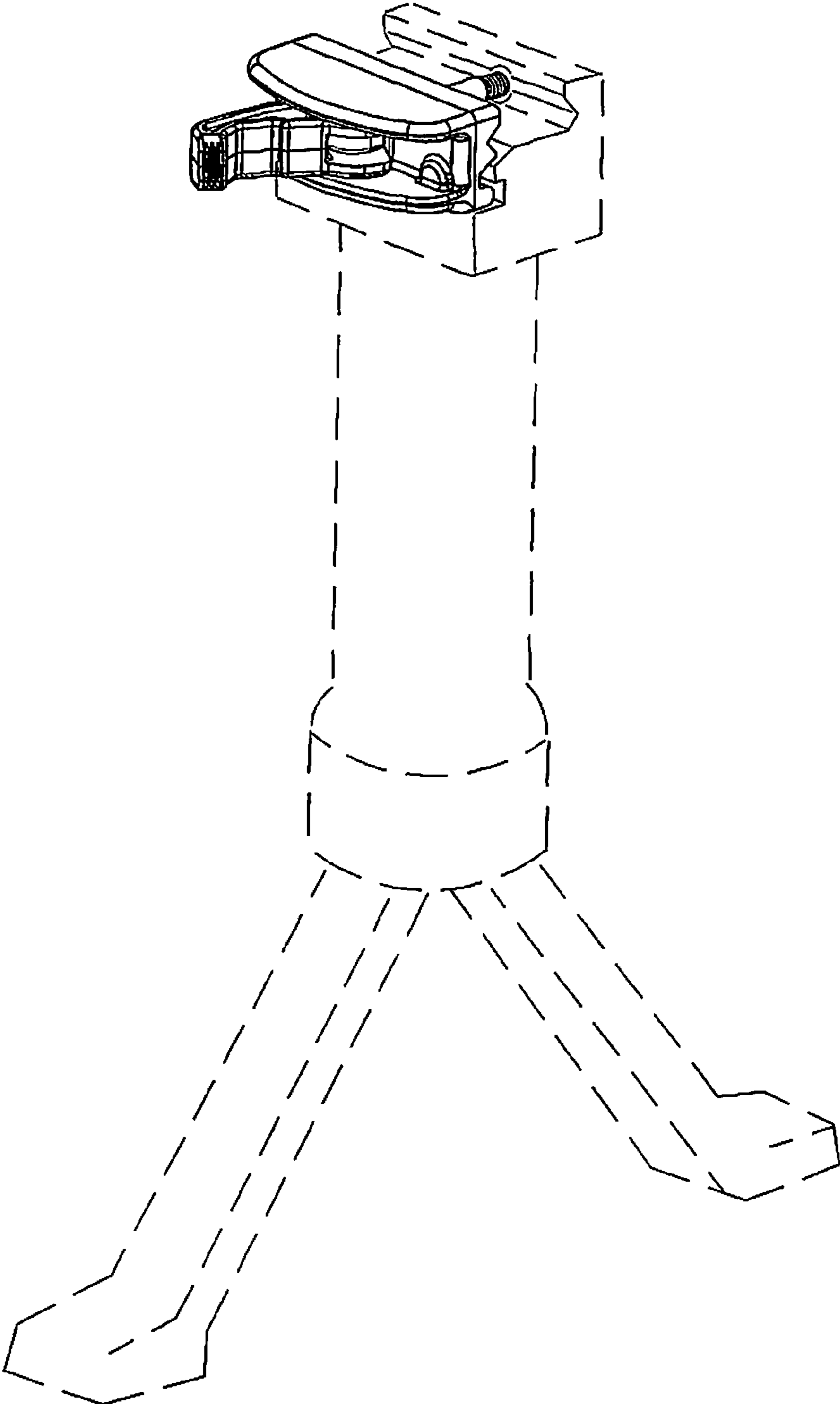


FIG. 9

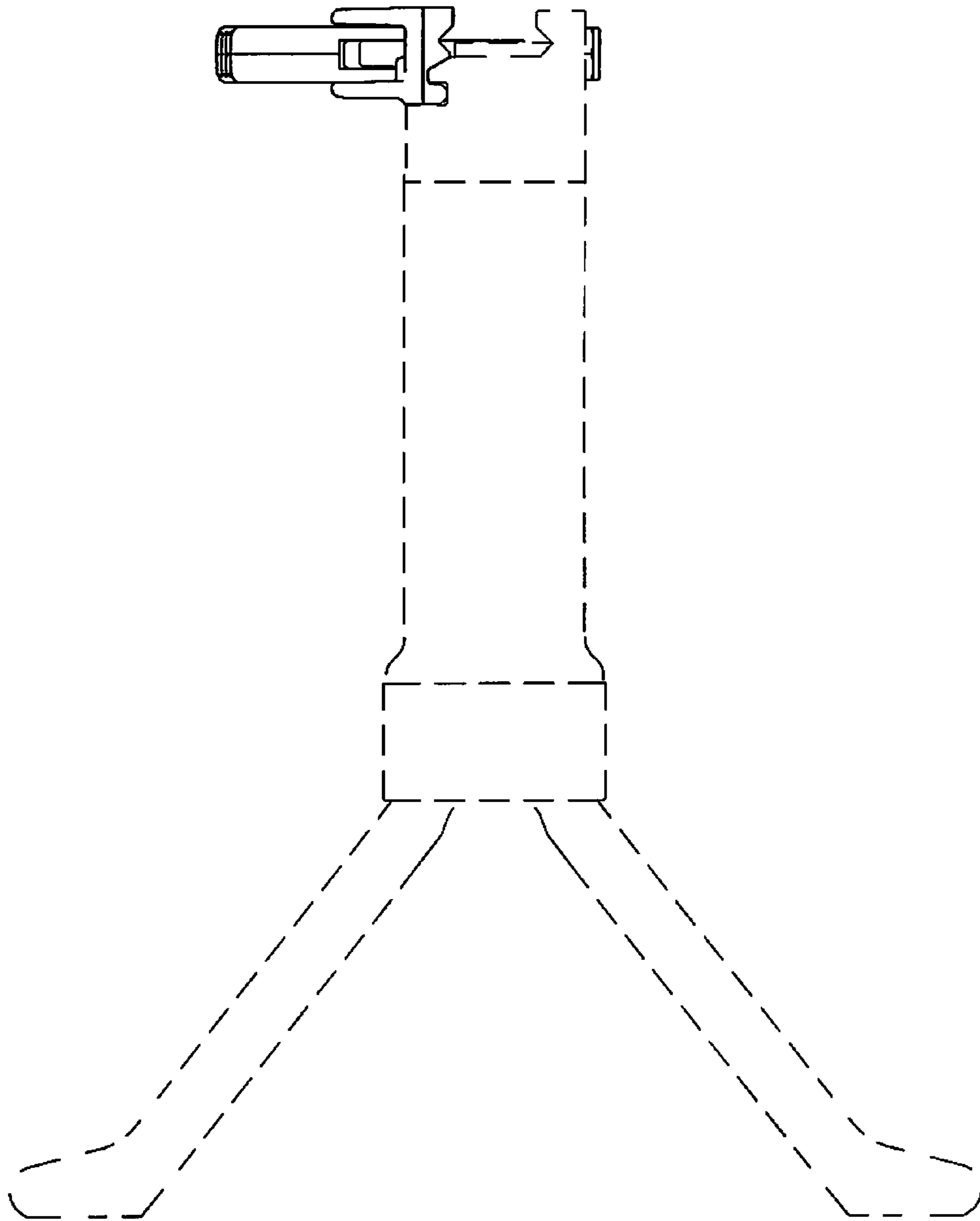


FIG. 10

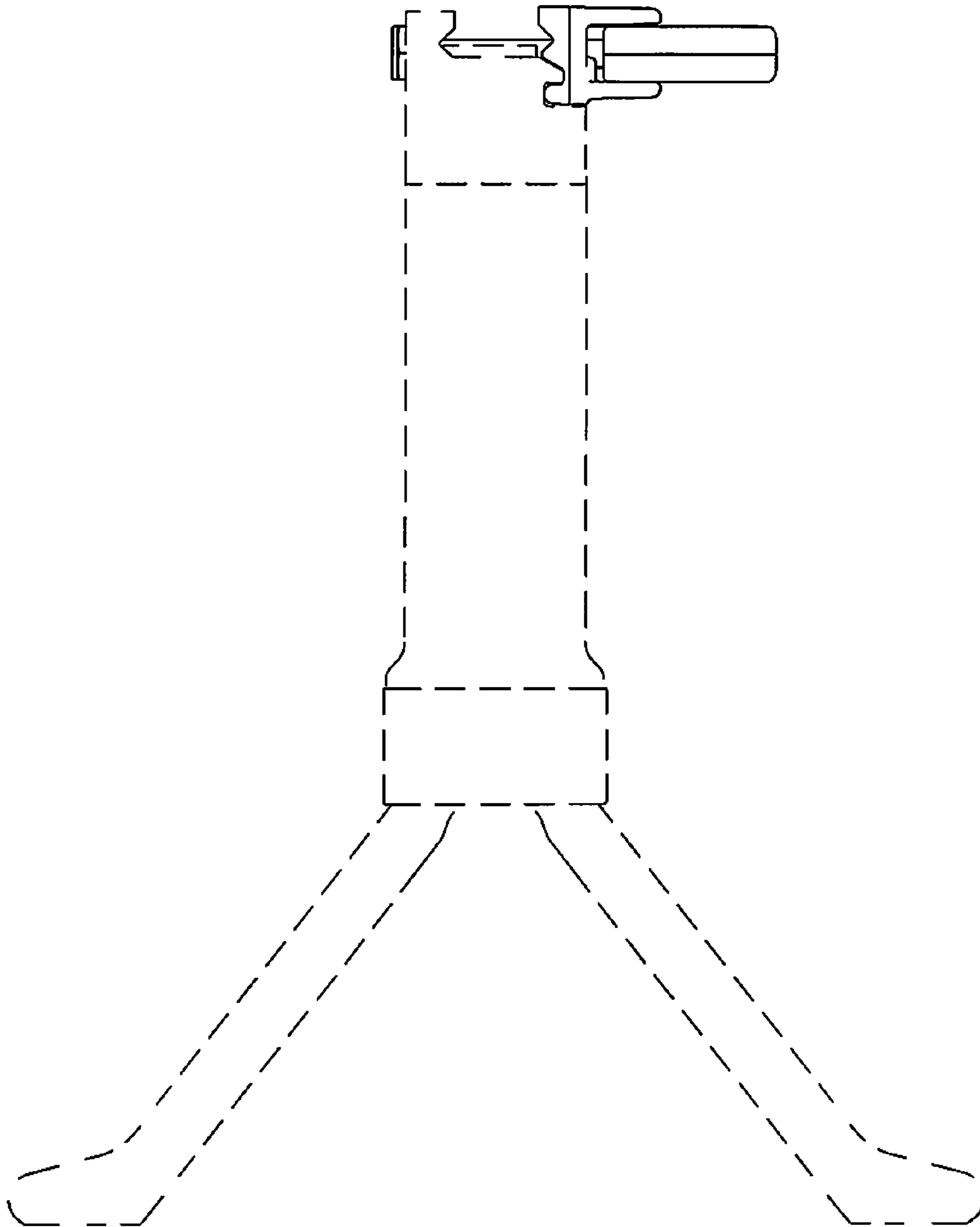


FIG. 12

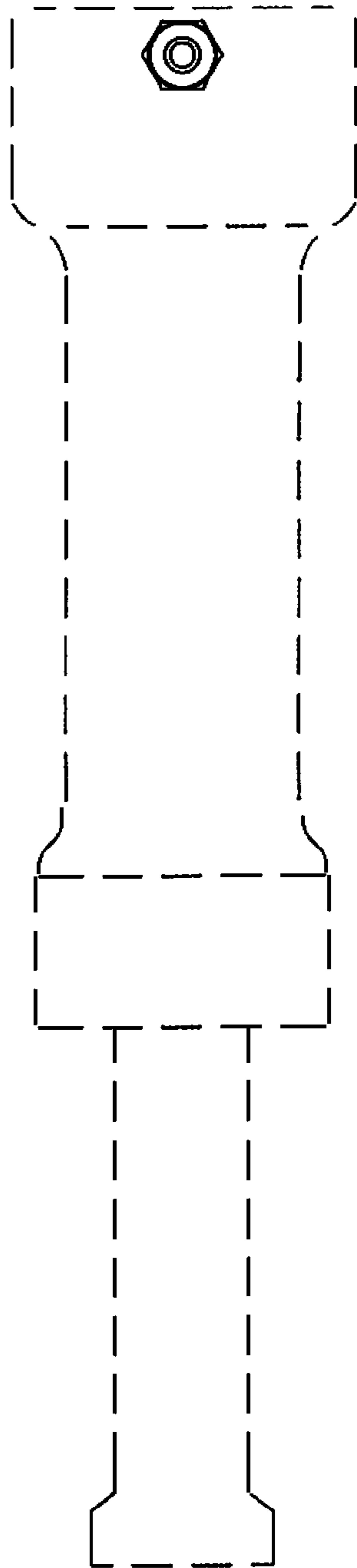


FIG. 11

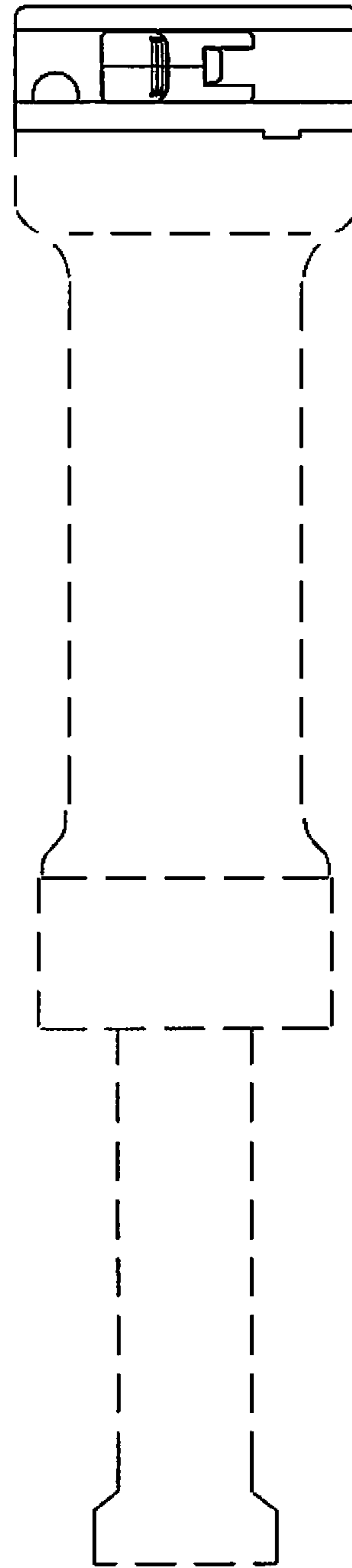


FIG. 14

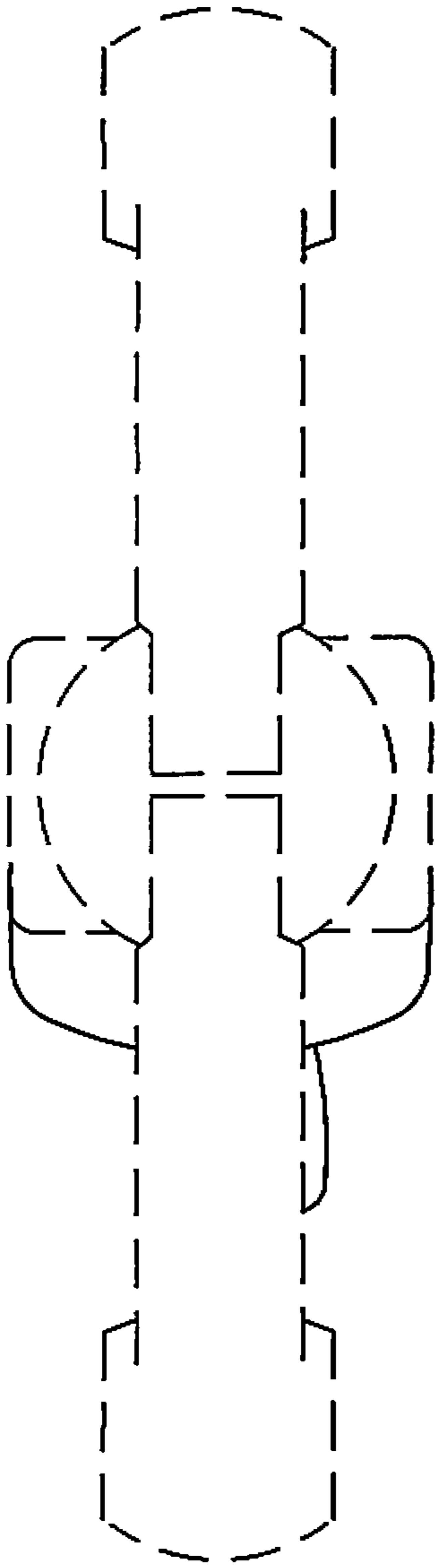


FIG. 13

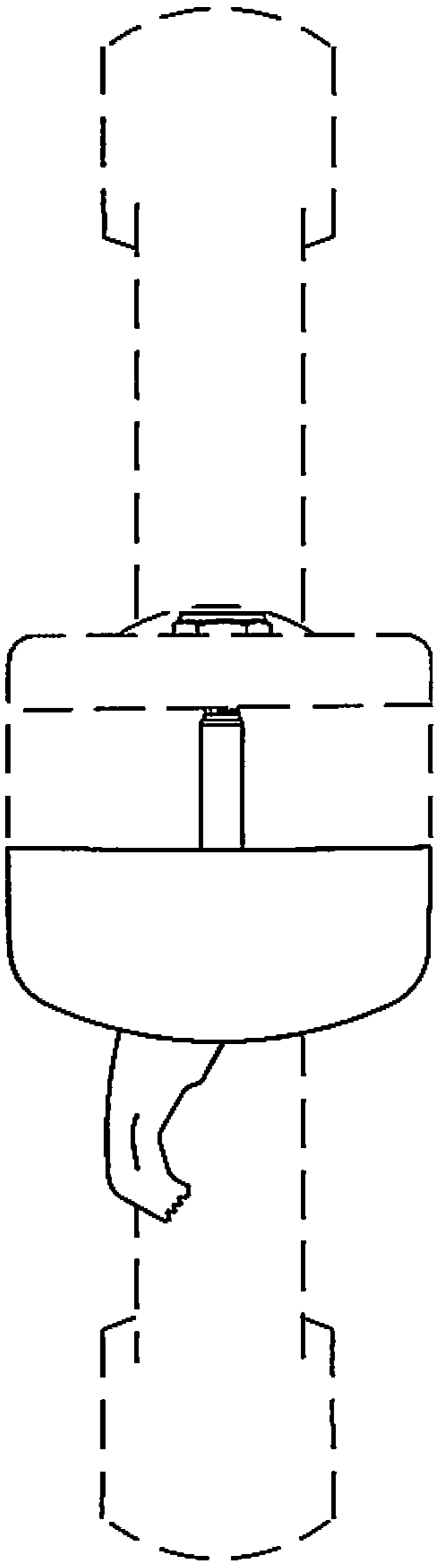


FIG. 15

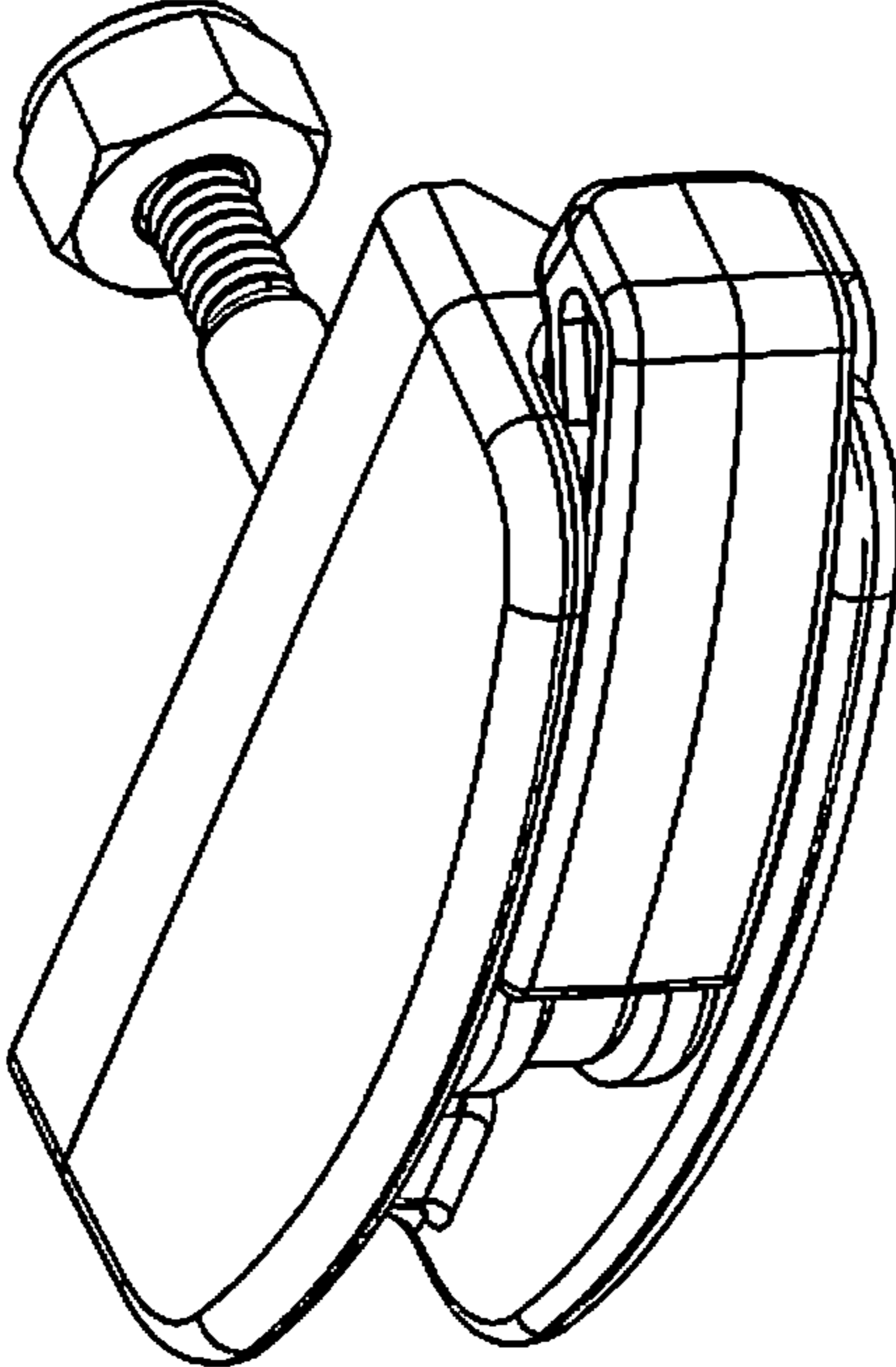


FIG. 16

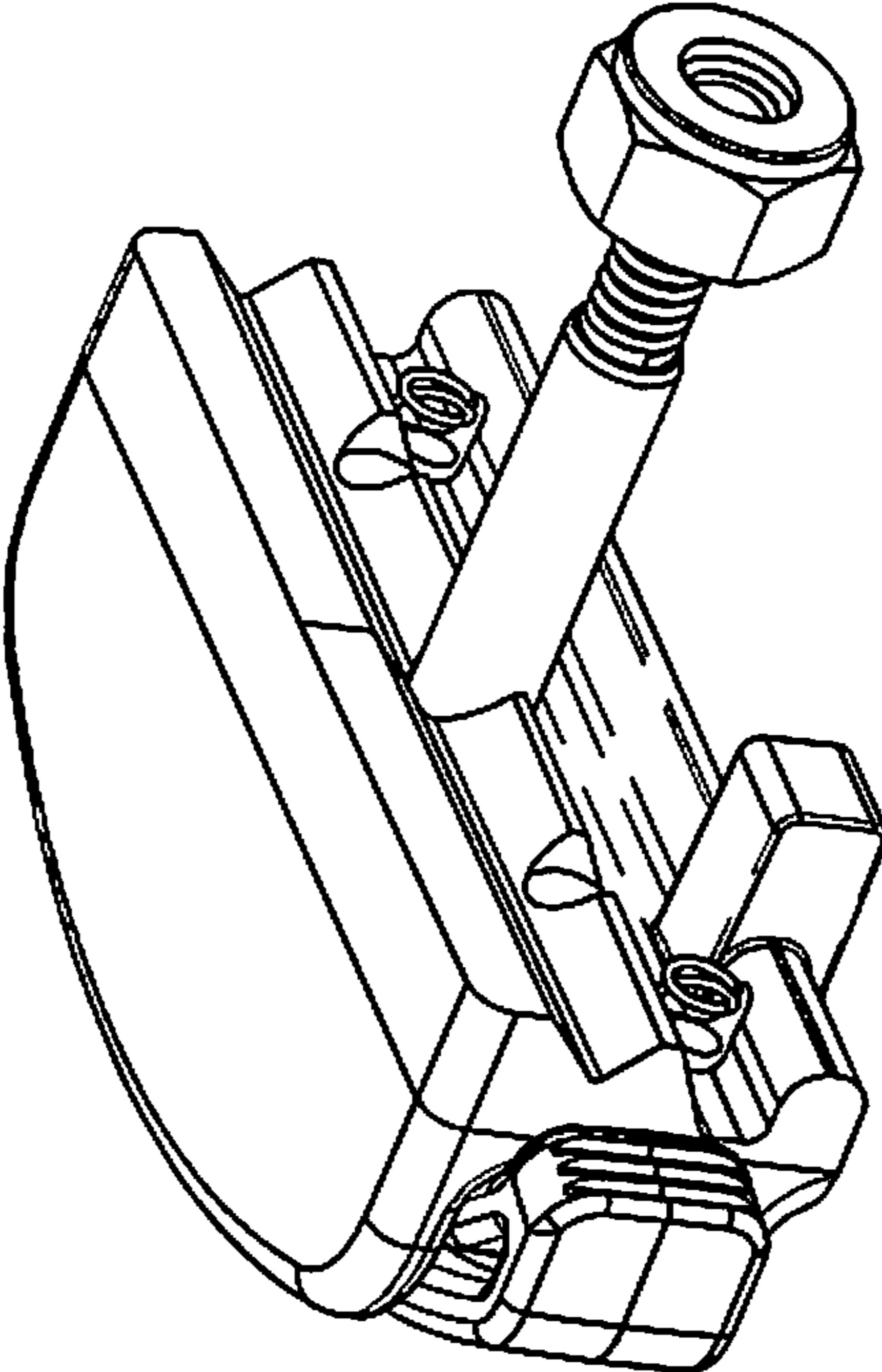


FIG. 18

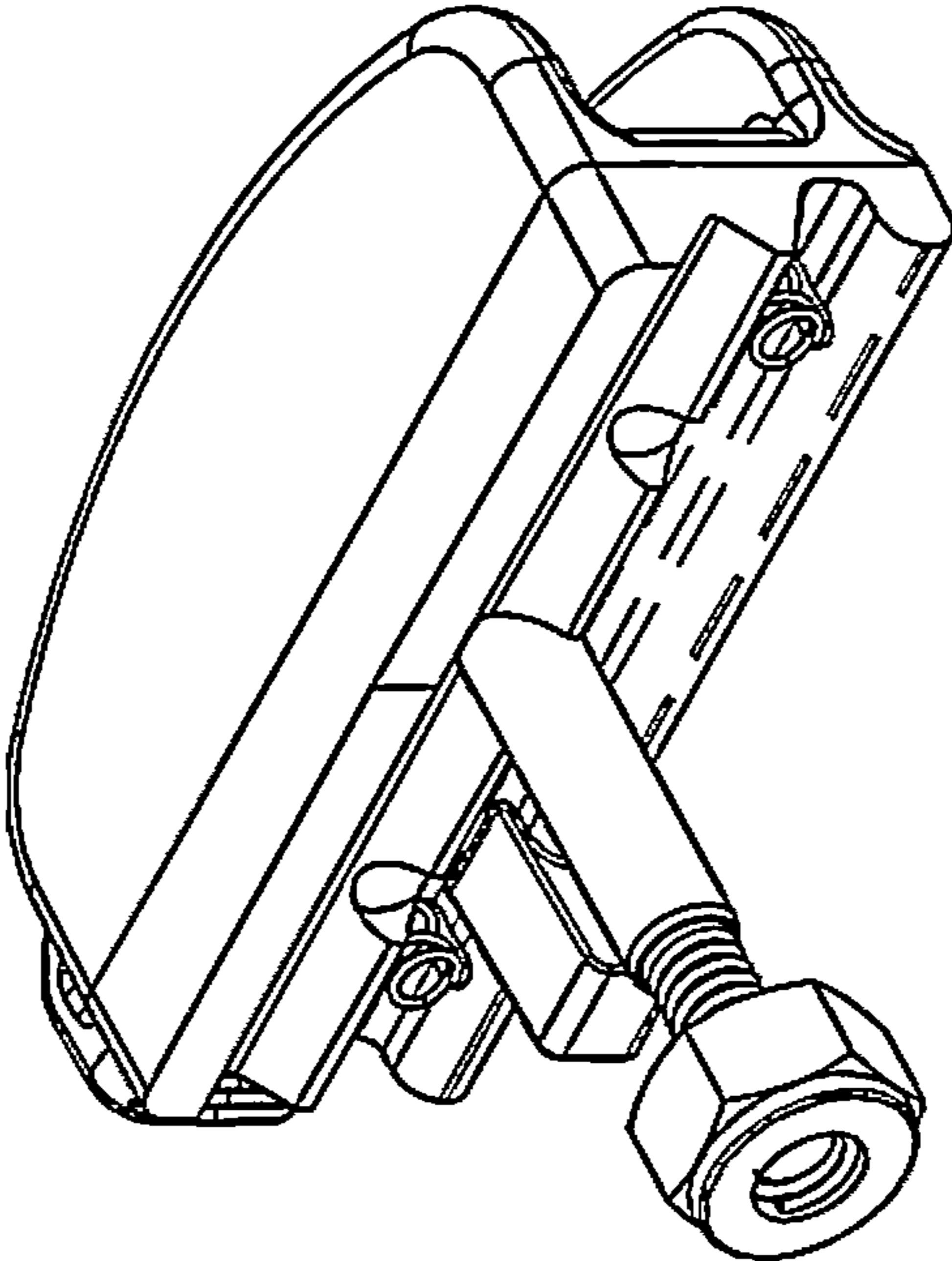


FIG. 17

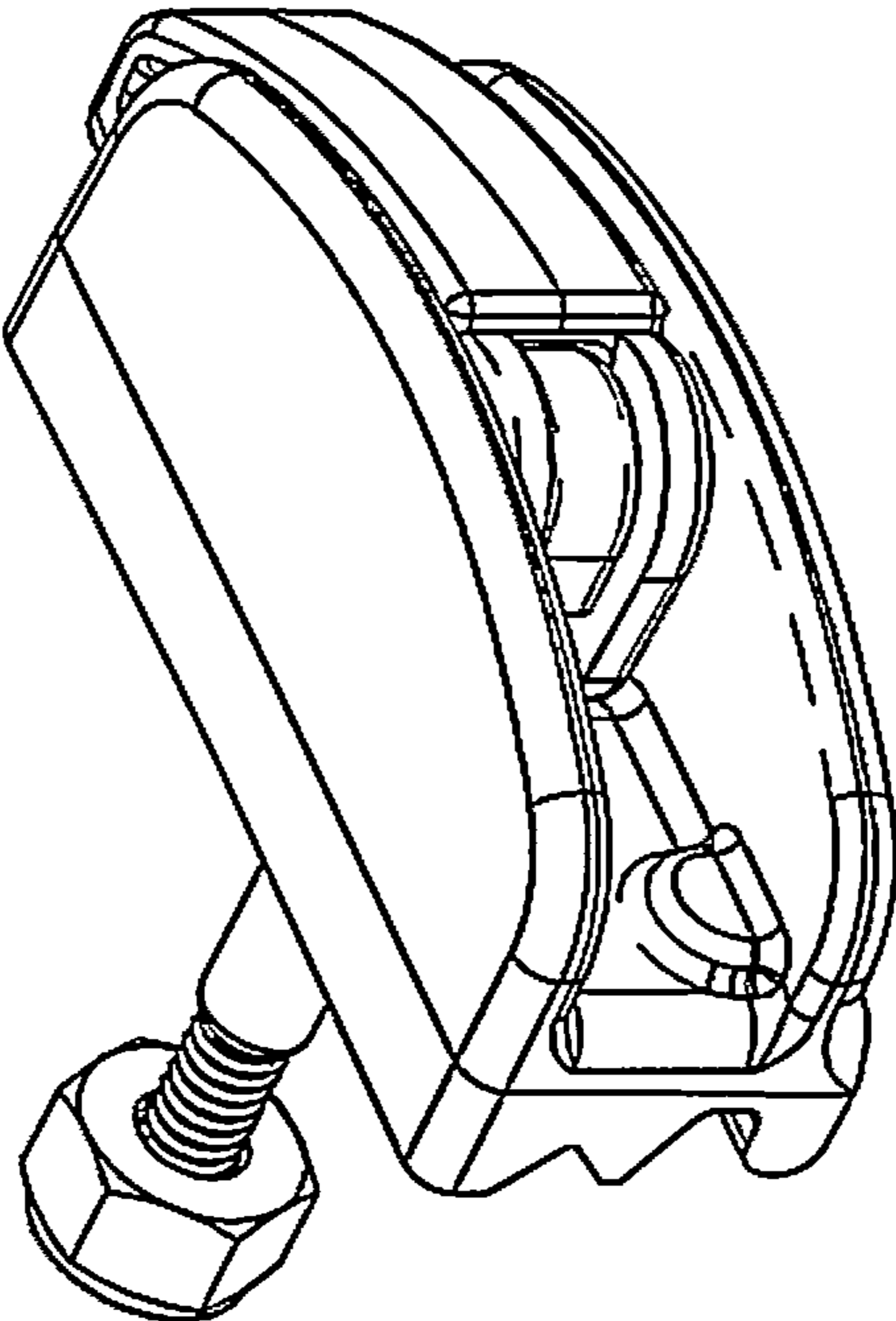


FIG. 19

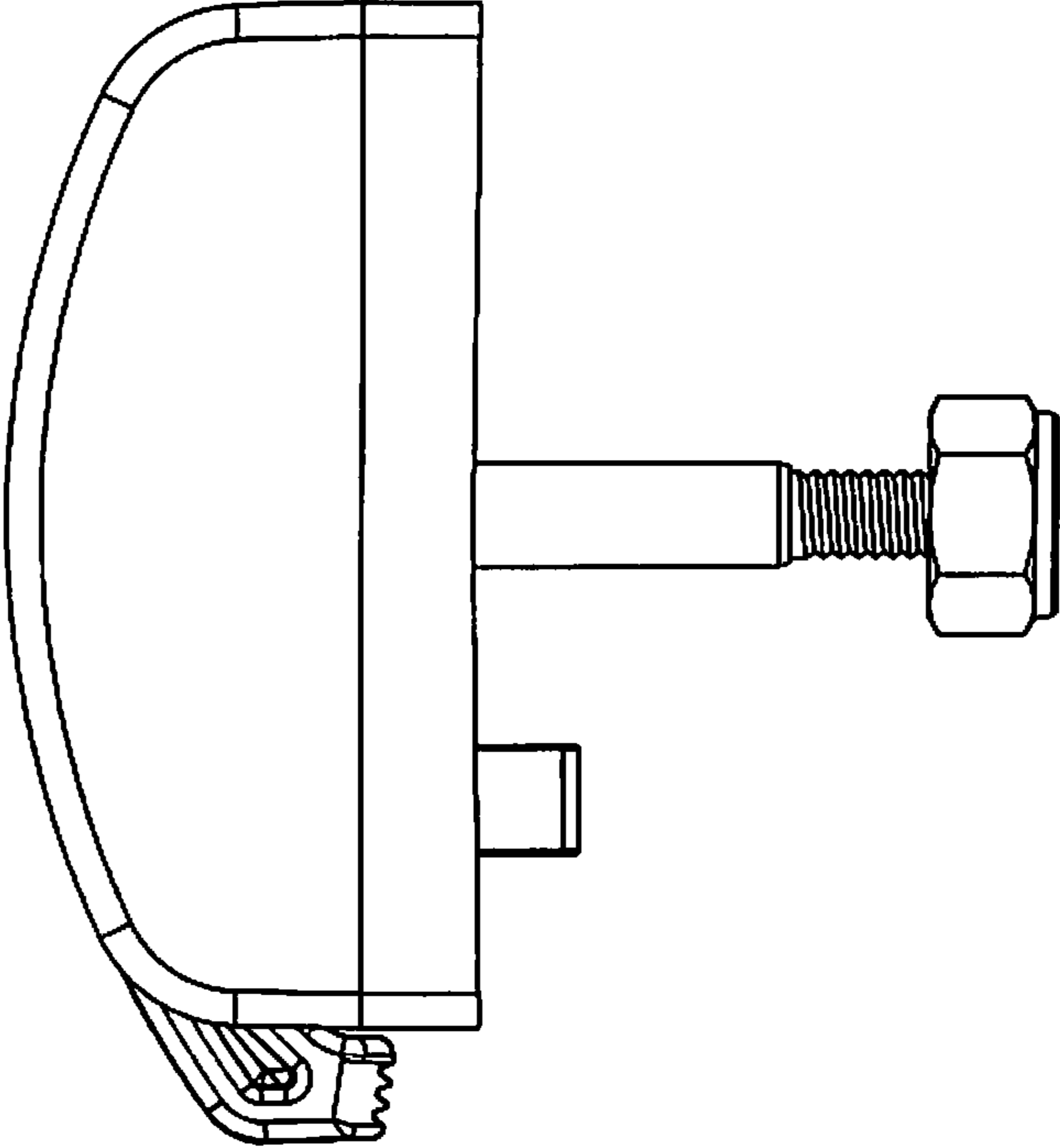


FIG. 20

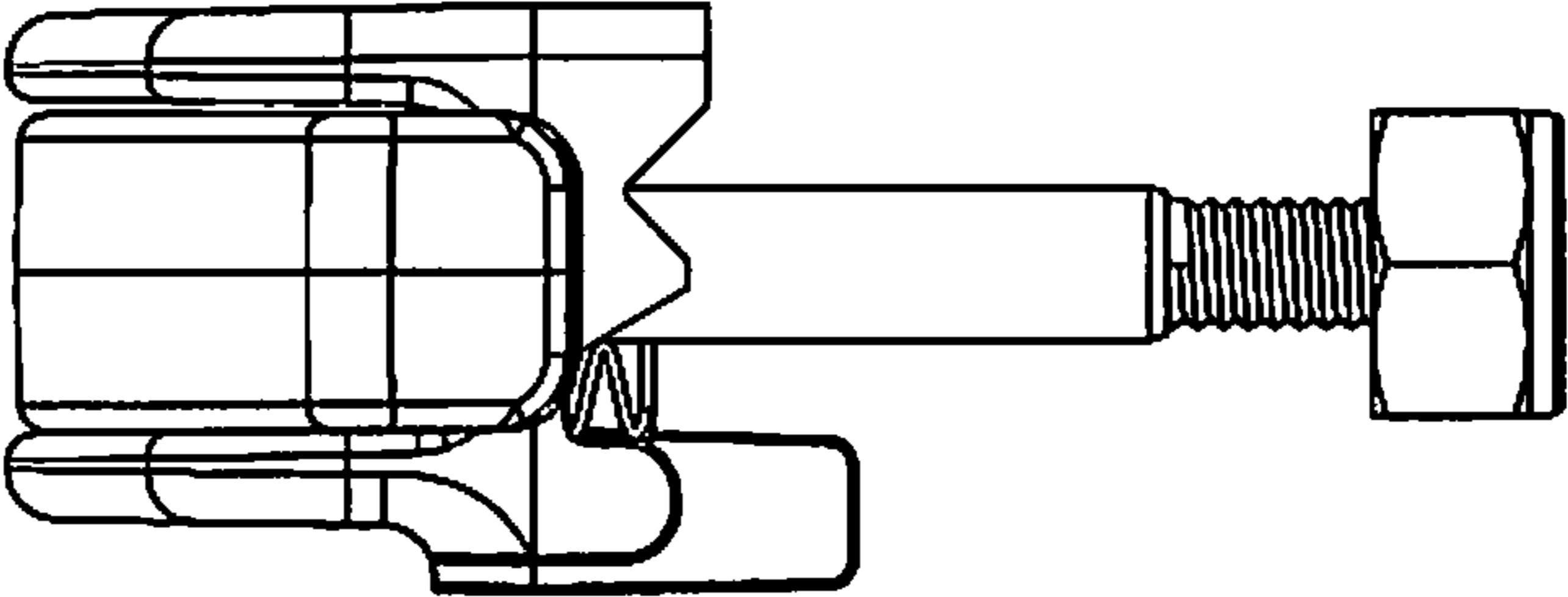


FIG. 21

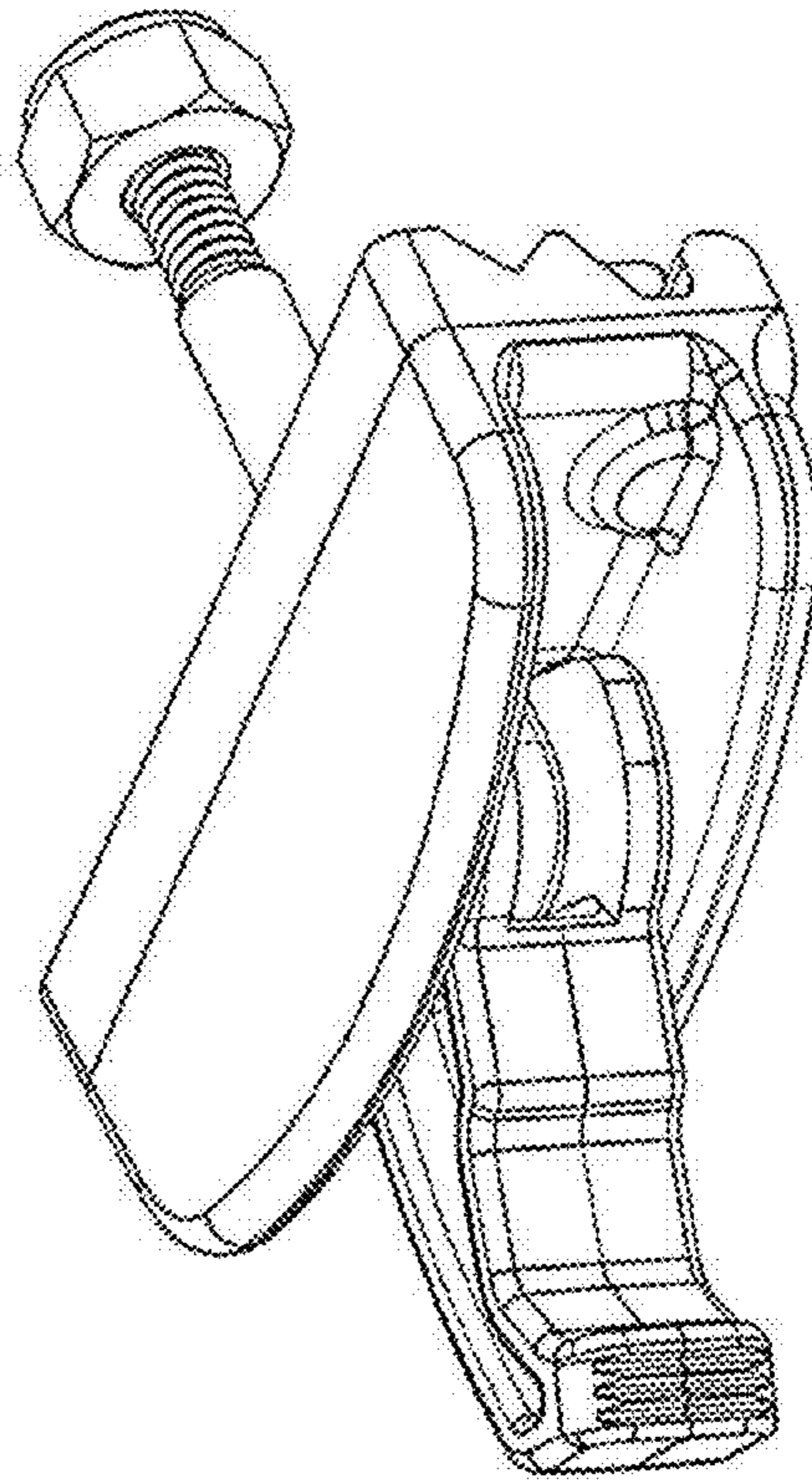


FIG. 22

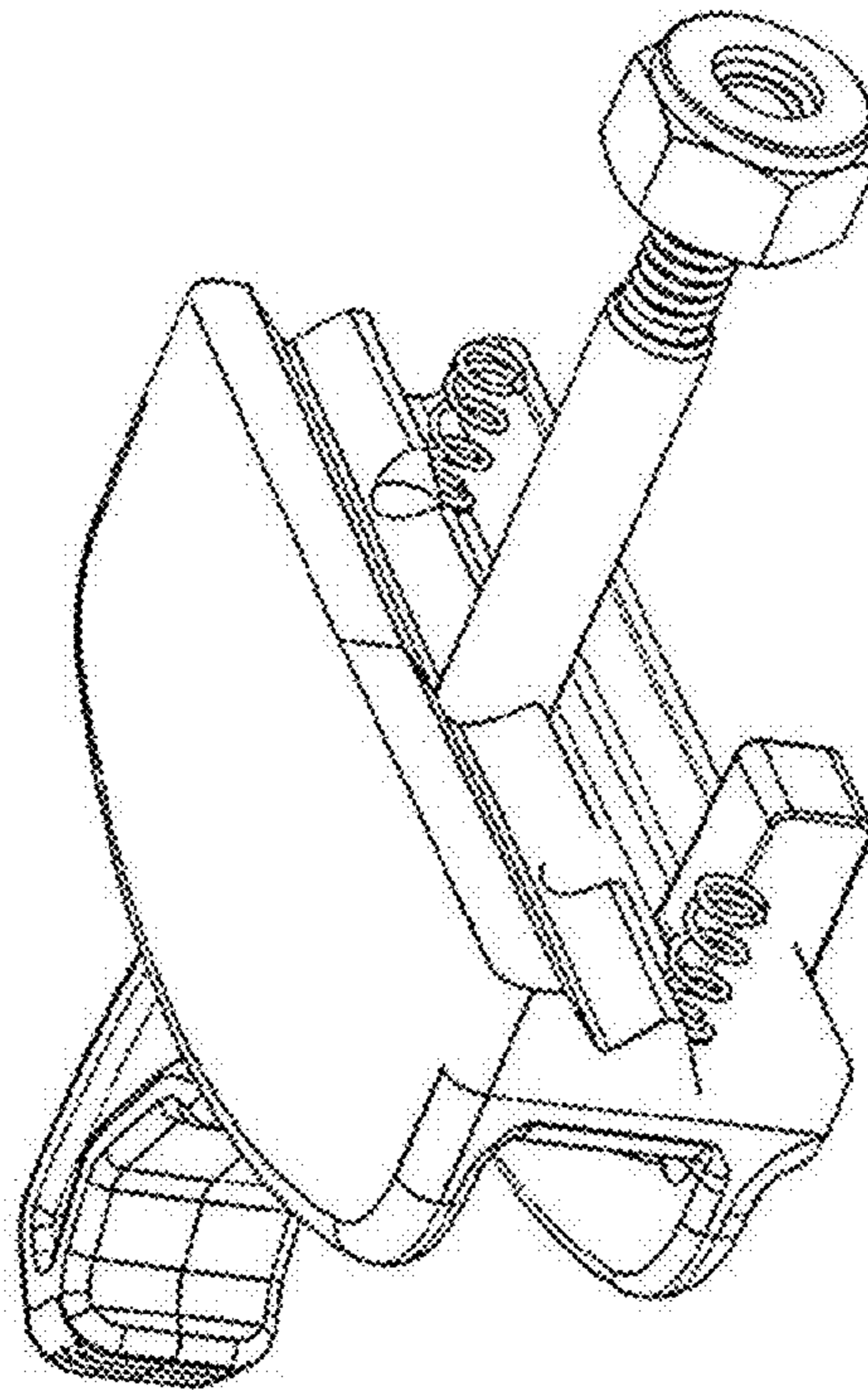


FIG. 24

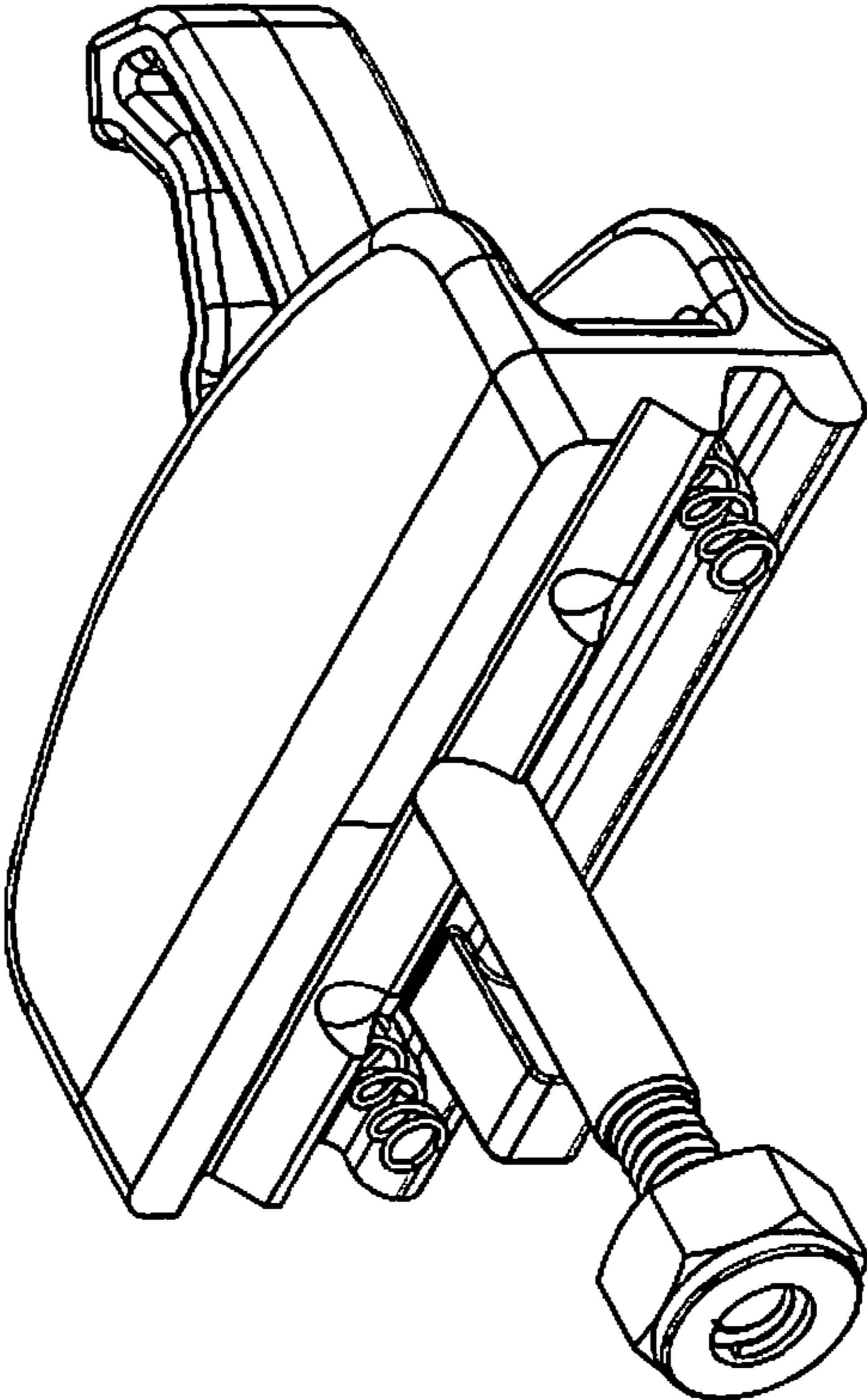


FIG. 23

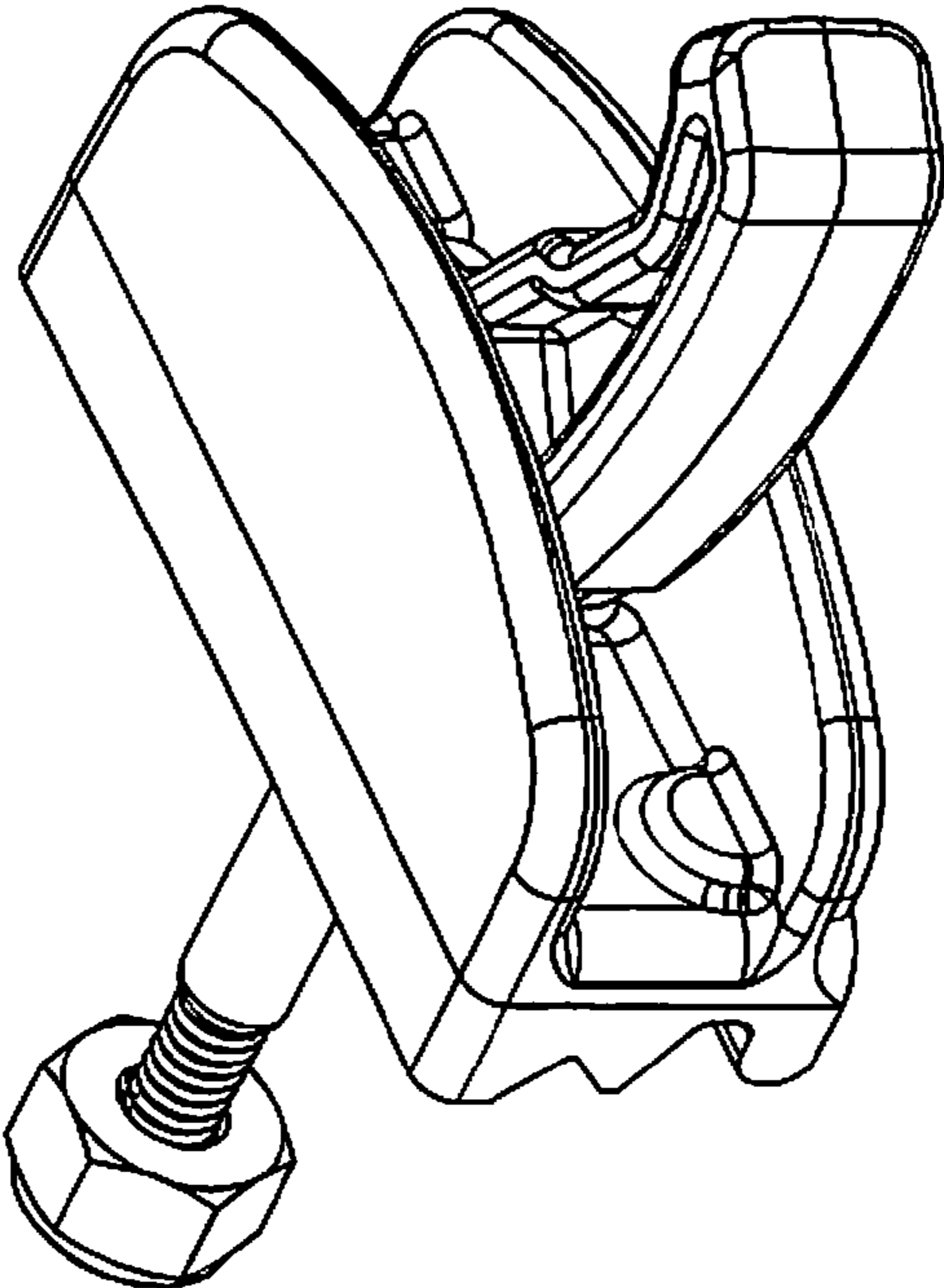


FIG. 25

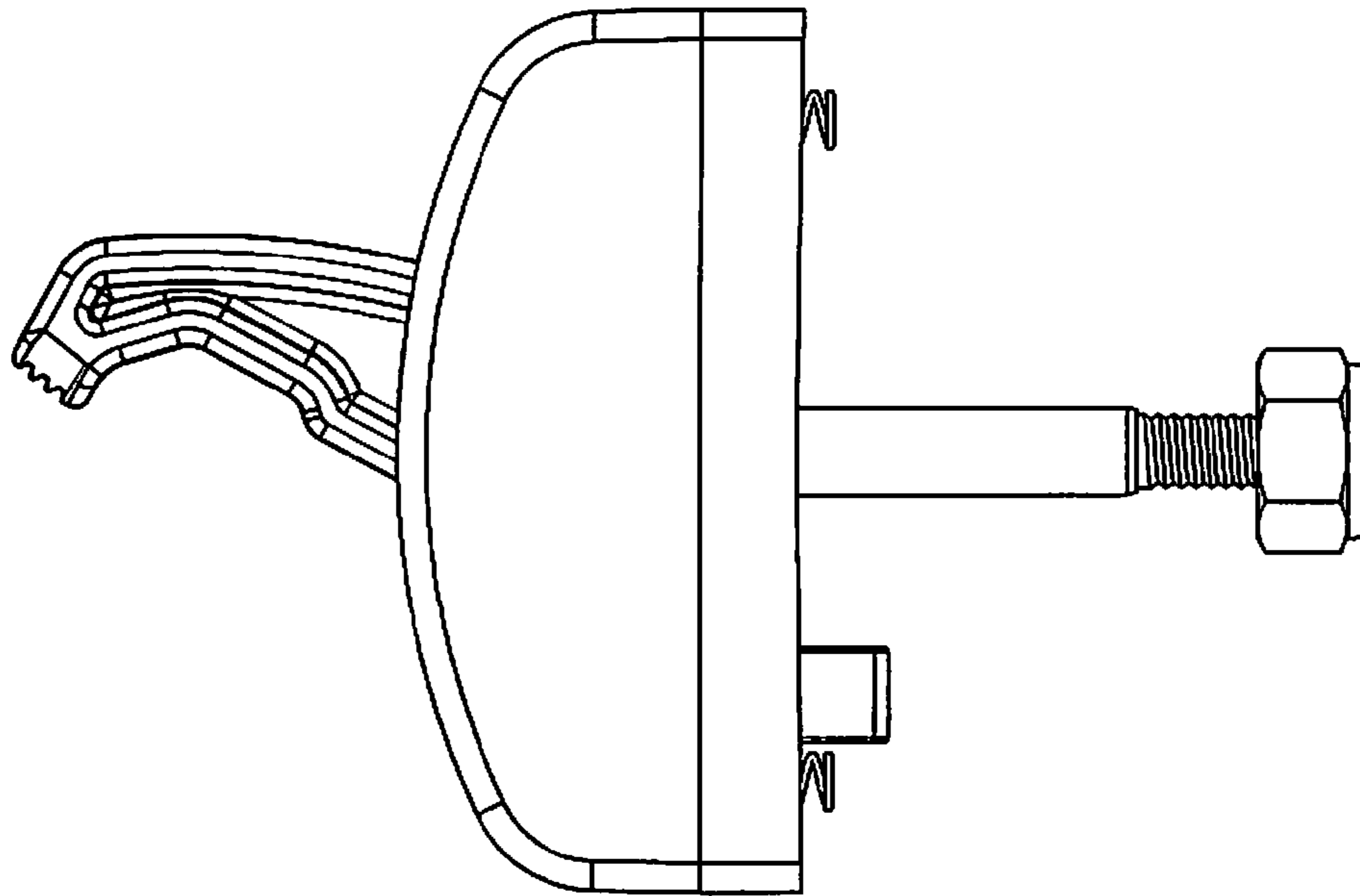
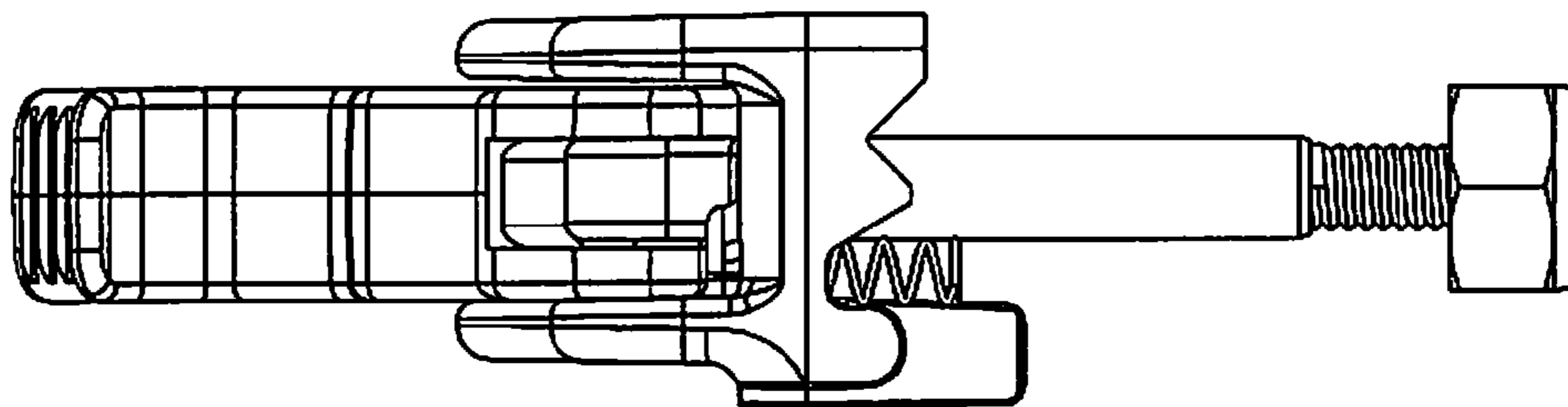


FIG. 26



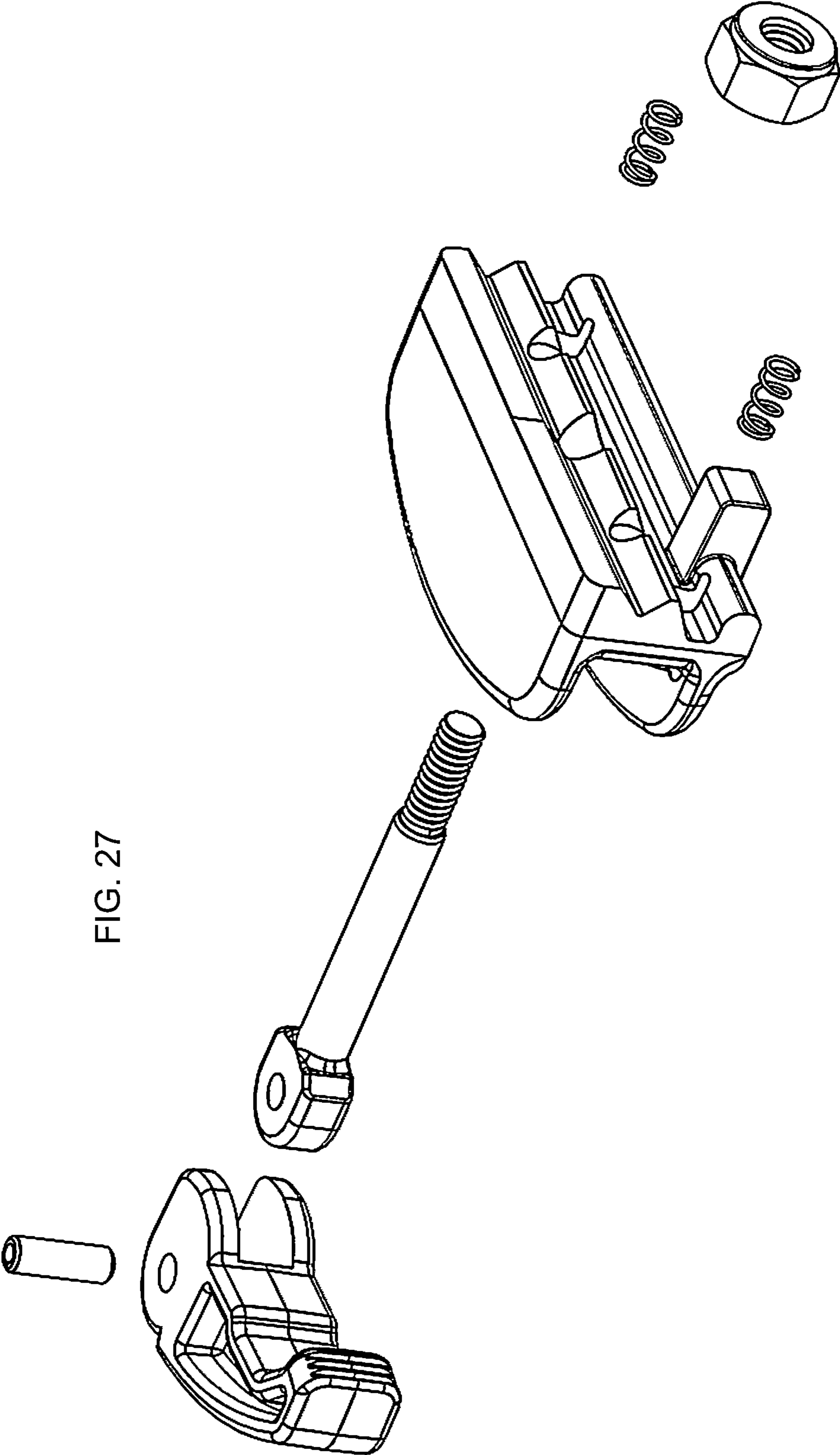


FIG. 27

FIG. 29

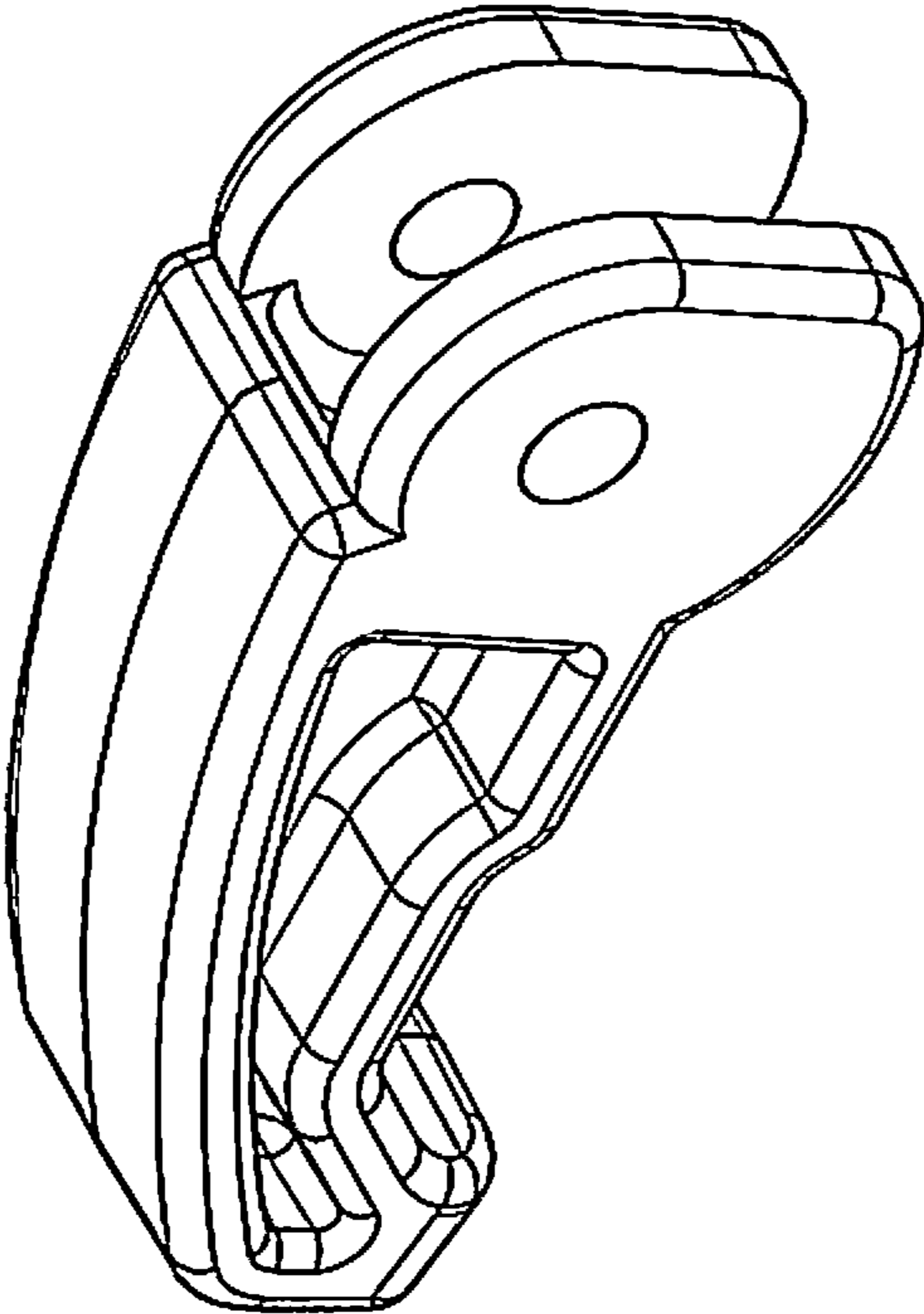


FIG. 28

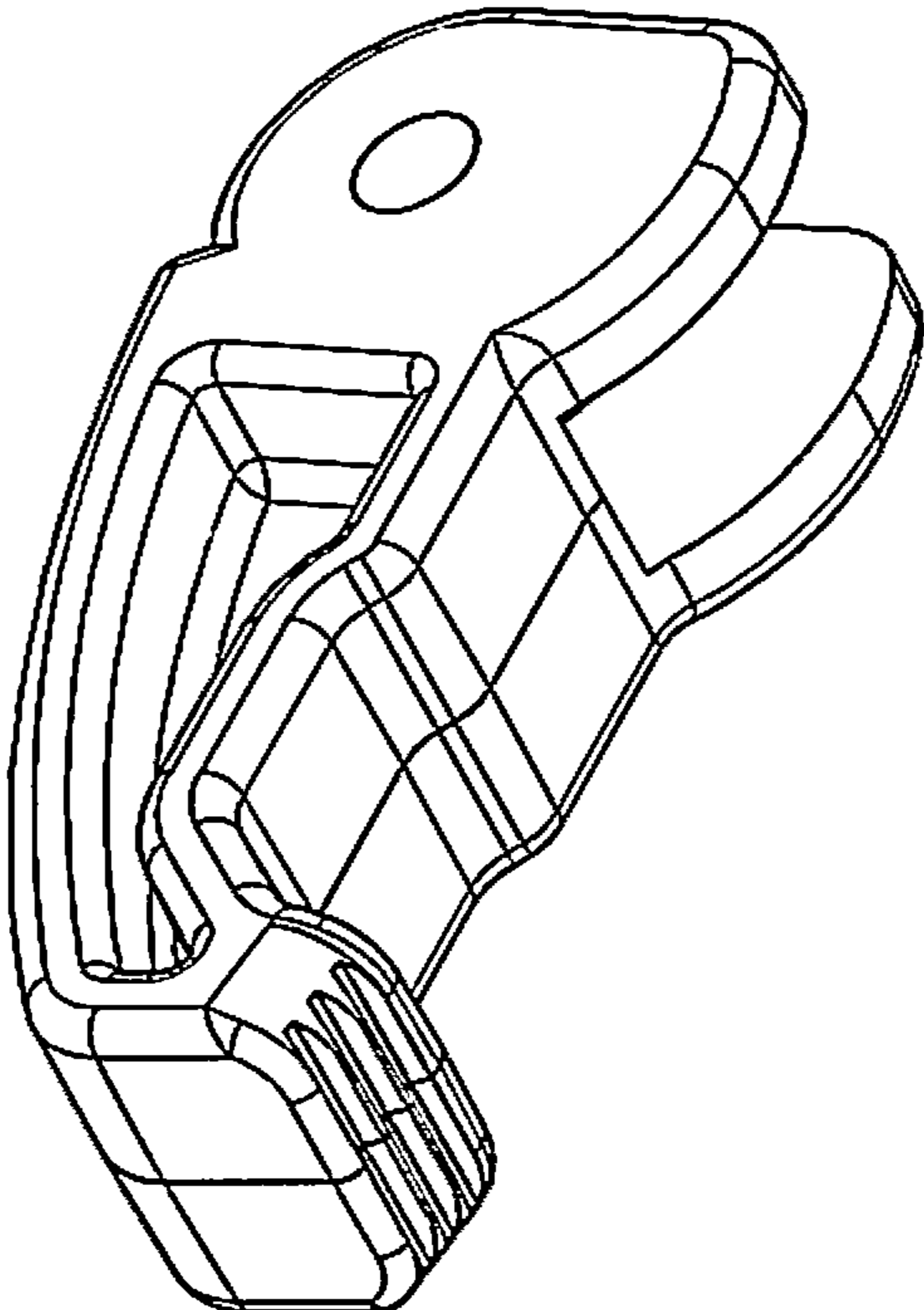


FIG. 30

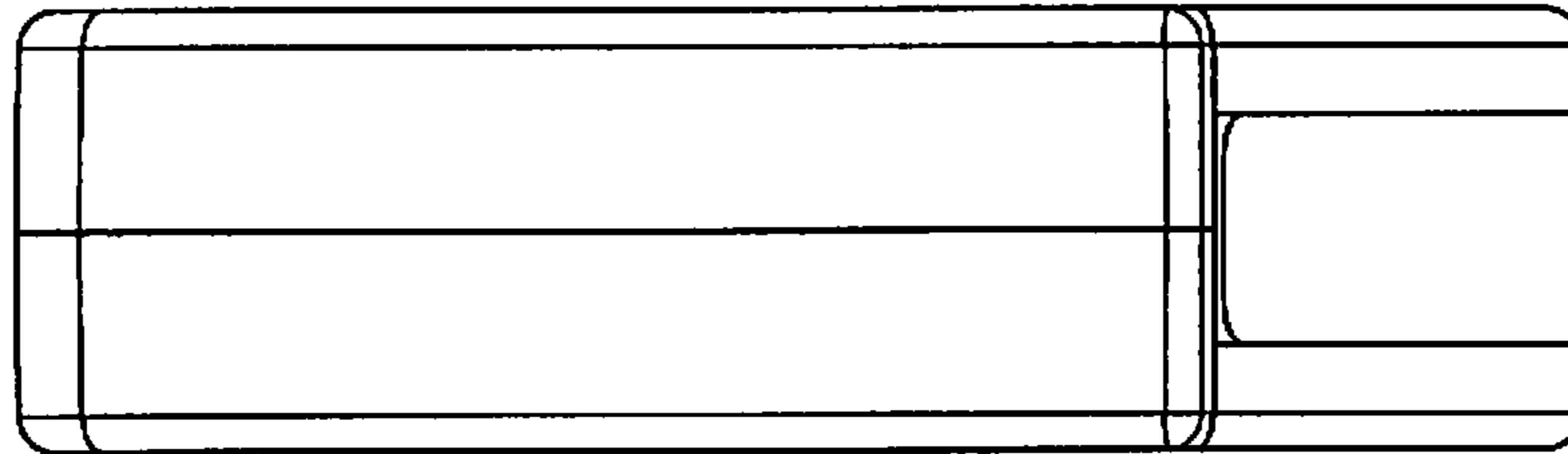


FIG. 31

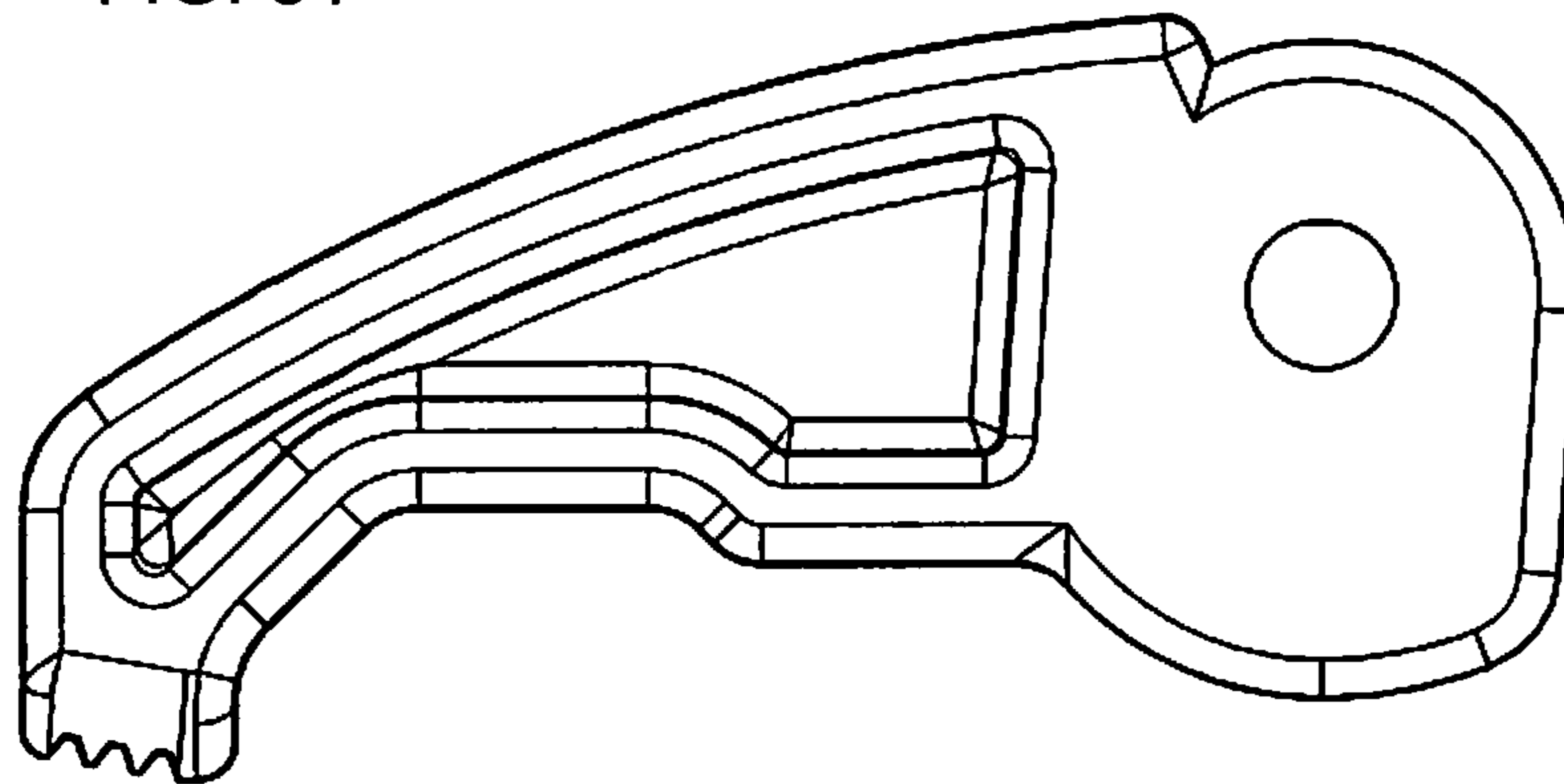


FIG. 32

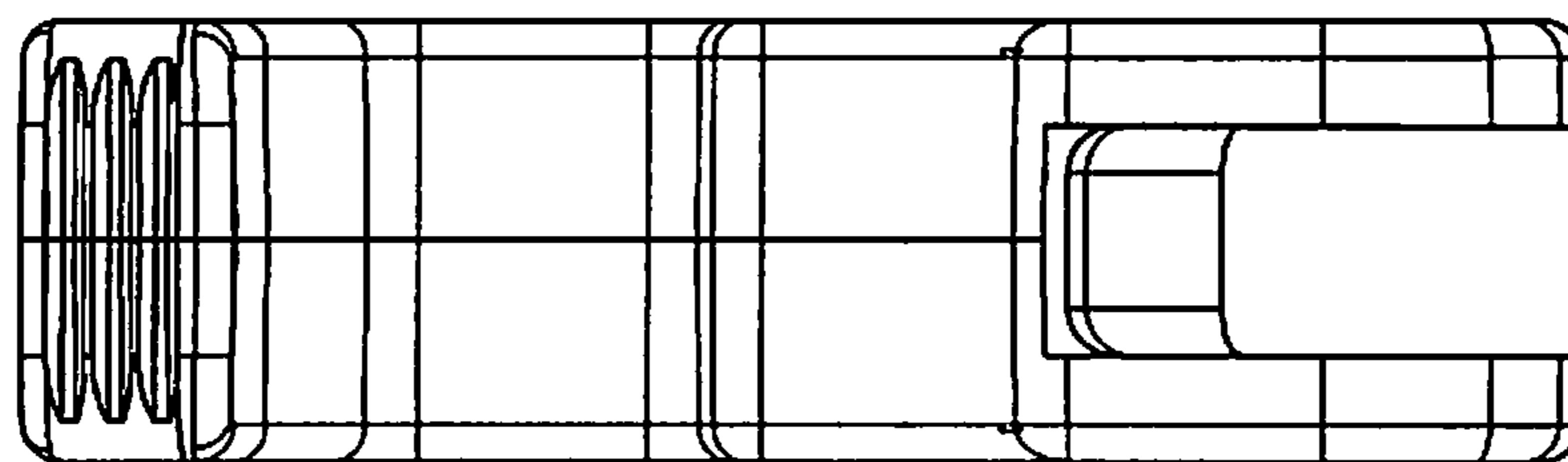


FIG. 34

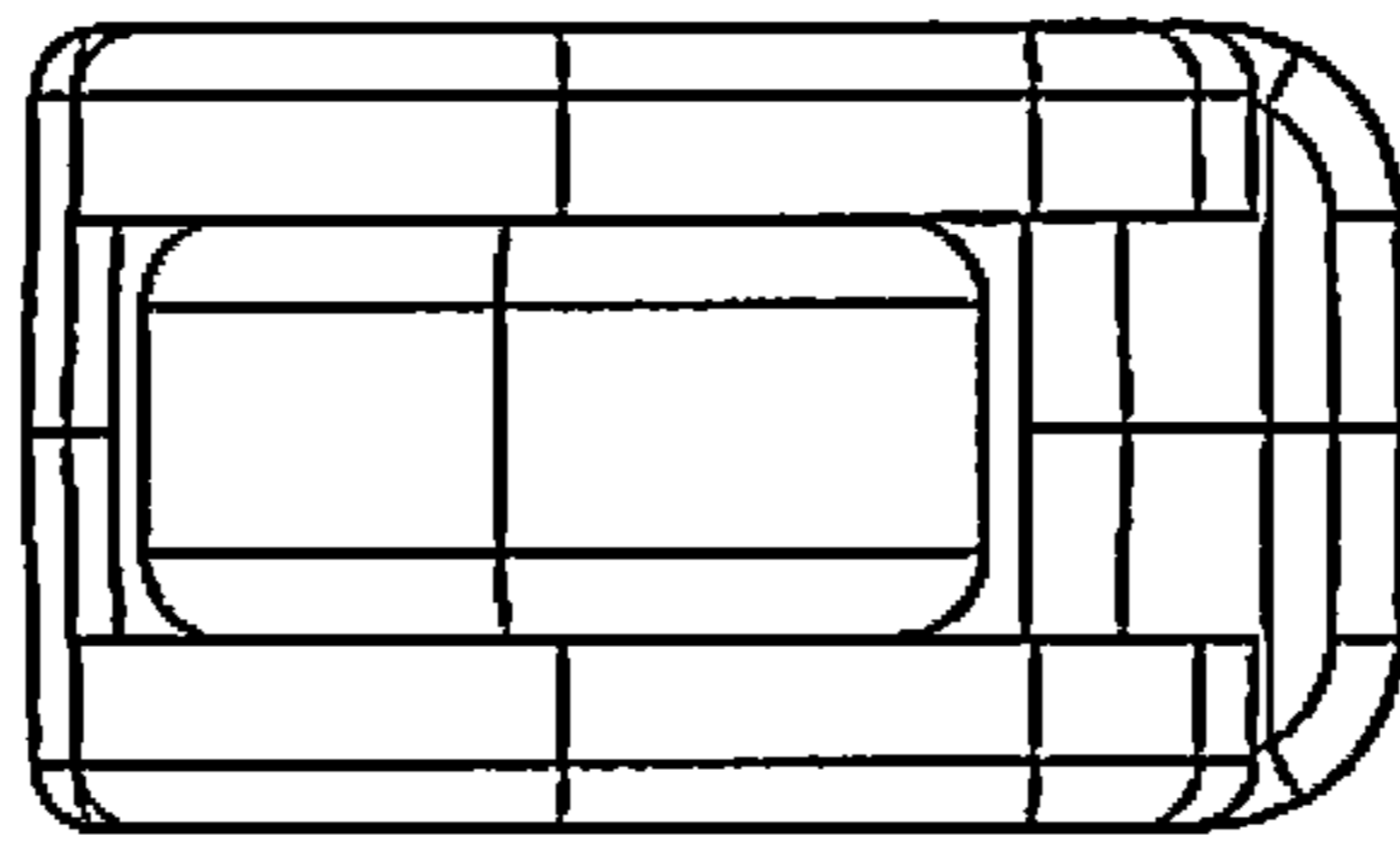


FIG. 33

