



US00D706893S

(12) **United States Design Patent**  
**Diederich**

(10) **Patent No.:** **US D706,893 S**

(45) **Date of Patent:** **\*\* Jun. 10, 2014**

(54) **TENT STAKE**

(71) Applicant: **Scott G. Diederich**, Whitewater, WI  
(US)

(72) Inventor: **Scott G. Diederich**, Whitewater, WI  
(US)

(\*\*) Term: **14 Years**

(21) Appl. No.: **29/459,816**

(22) Filed: **Jul. 3, 2013**

(51) **LOC (10) Cl.** ..... **21-04**

(52) **U.S. Cl.**  
USPC ..... **D21/840; D8/387**

(58) **Field of Classification Search**  
USPC ..... D21/840; D8/1, 356, 385, 388, 387,  
D8/392; D25/121, 126, 131; 135/118;  
52/155, 157; 248/156, 540, 545  
See application file for complete search history.

(56) **References Cited**

**U.S. PATENT DOCUMENTS**

D363,755	S	*	10/1995	Diederich	.....	D21/840
5,457,918	A	*	10/1995	Plourde	.....	52/165
5,575,122	A	*	11/1996	Hamilton et al.	.....	52/157
D378,052	S	*	2/1997	Perreault	.....	D8/387
D381,892	S	*	8/1997	Porter et al.	.....	D8/387
D397,401	S	*	8/1998	Diederich	.....	D21/840
D398,363	S	*	9/1998	LoBue	.....	D21/840
D415,955	S	*	11/1999	Paulson	.....	D8/388
6,032,880	A	*	3/2000	Verrills et al.	.....	248/530

6,058,662	A	*	5/2000	Perko	.....	52/157
D492,586	S	*	7/2004	Rimer, Jr.	.....	D8/393
D550,072	S	*	9/2007	Ardern	.....	D8/387
7,309,198	B1	*	12/2007	Brown	.....	410/101
D605,933	S	*	12/2009	Gaudron	.....	D8/385
D649,030	S	*	11/2011	Austin, III	.....	D8/387
D658,046	S	*	4/2012	Austin, III	.....	D8/385
2006/0060749	A1	*	3/2006	Dahlstrom	.....	248/545

\* cited by examiner

*Primary Examiner* — Cynthia M Chin

(74) *Attorney, Agent, or Firm* — Welsh Flaxman & Gitler LLC

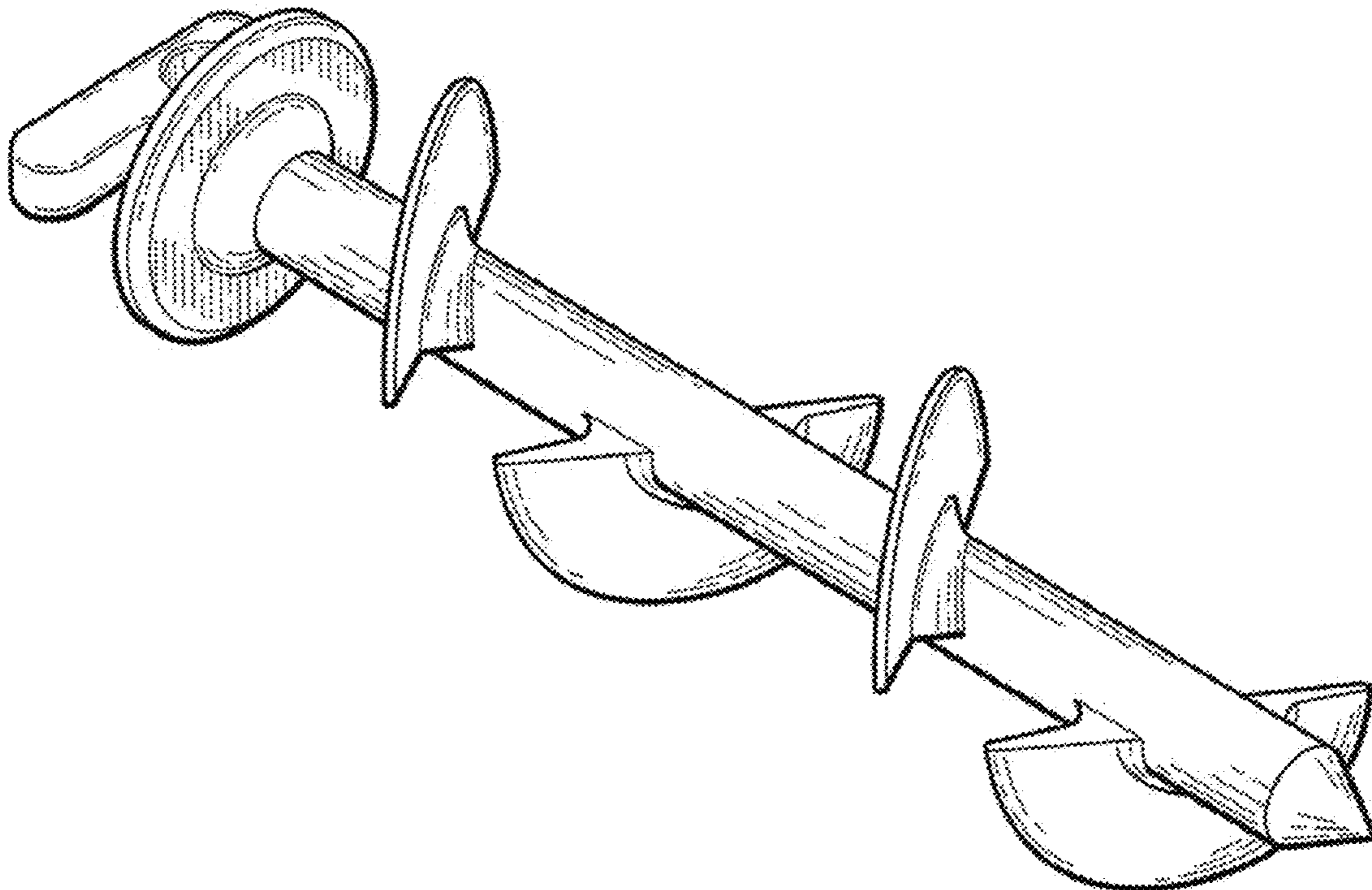
(57) **CLAIM**

The ornamental design for a tent stake, as shown and described.

**DESCRIPTION**

FIG. 1 is a side perspective view of a tent stake showing my new design;  
 FIG. 2 is a bottom plan view thereof;  
 FIG. 3 is a top plan view thereof;  
 FIG. 4 is a side view thereof;  
 FIG. 5 is side view thereof when the tent stake of FIG. 4 is rotated 180 degrees;  
 FIG. 6 is side view thereof when the tent stake of FIG. 4 is rotated 90 degrees clockwise; and,  
 FIG. 7 is side view thereof when the tent stake of FIG. 4 is rotated 90 degrees counter-clockwise.  
 The broken lines represent portions of the tent stake that form no part of the claim.

**1 Claim, 3 Drawing Sheets**



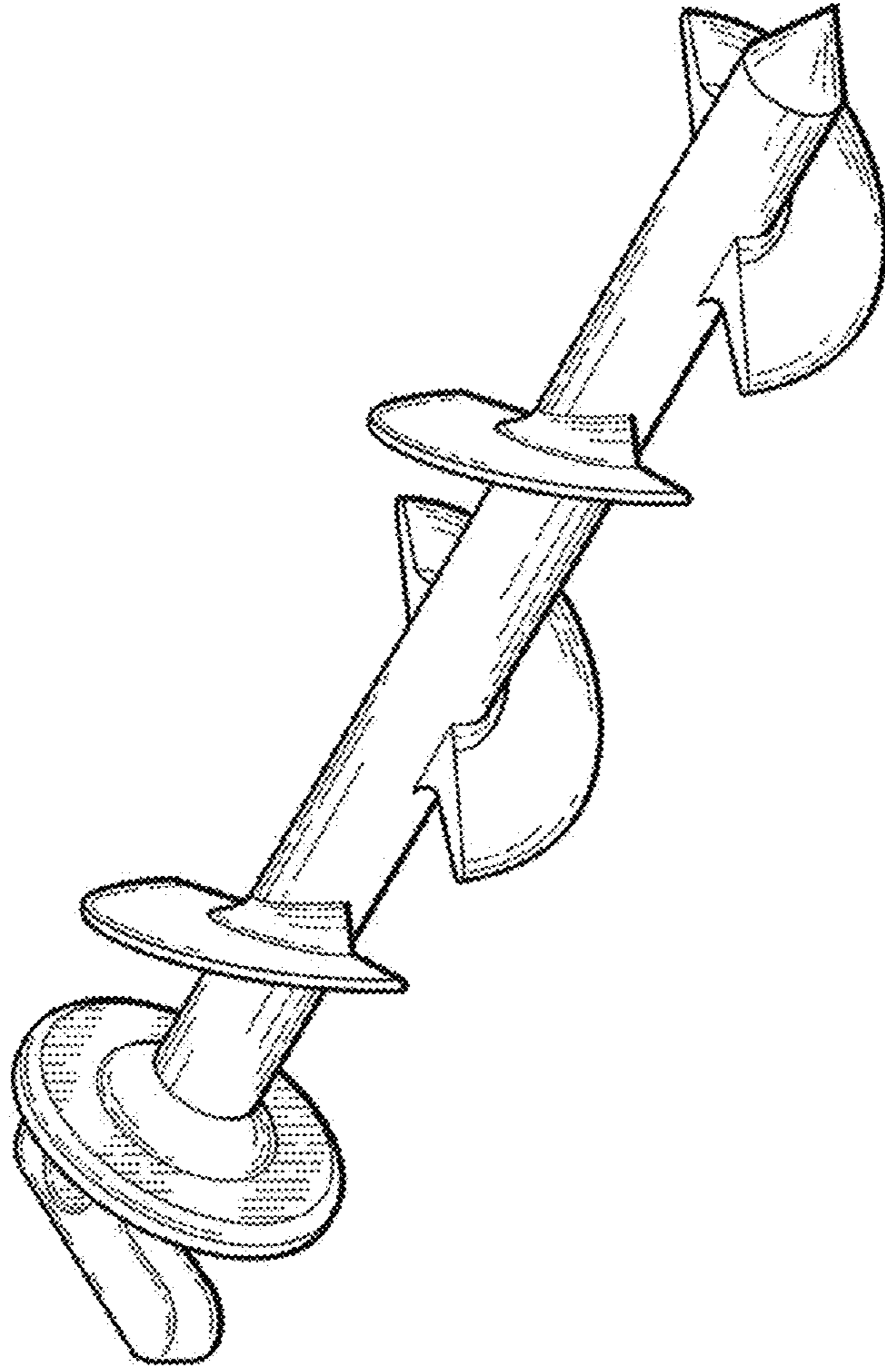


FIG. 1

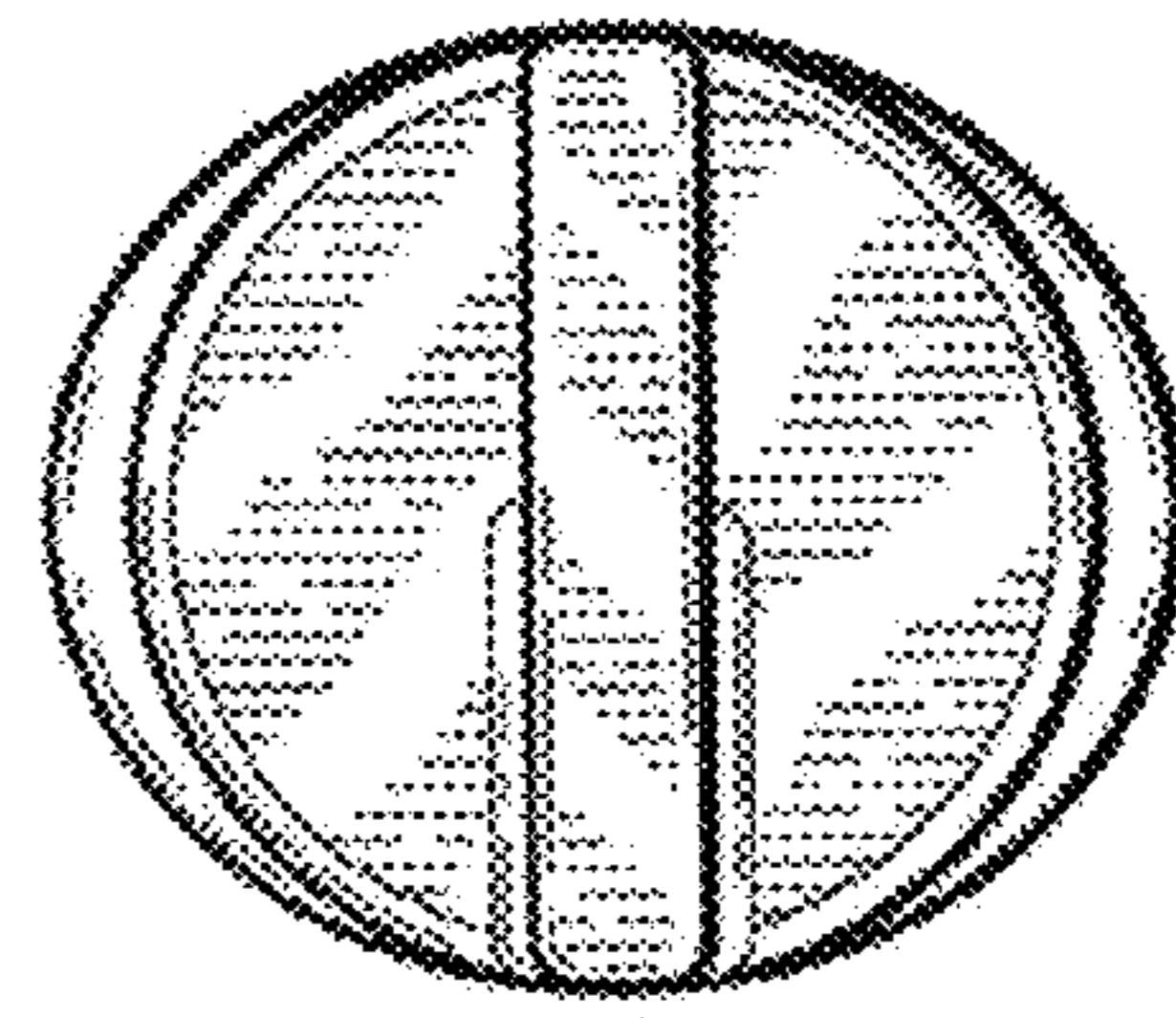


FIG. 3

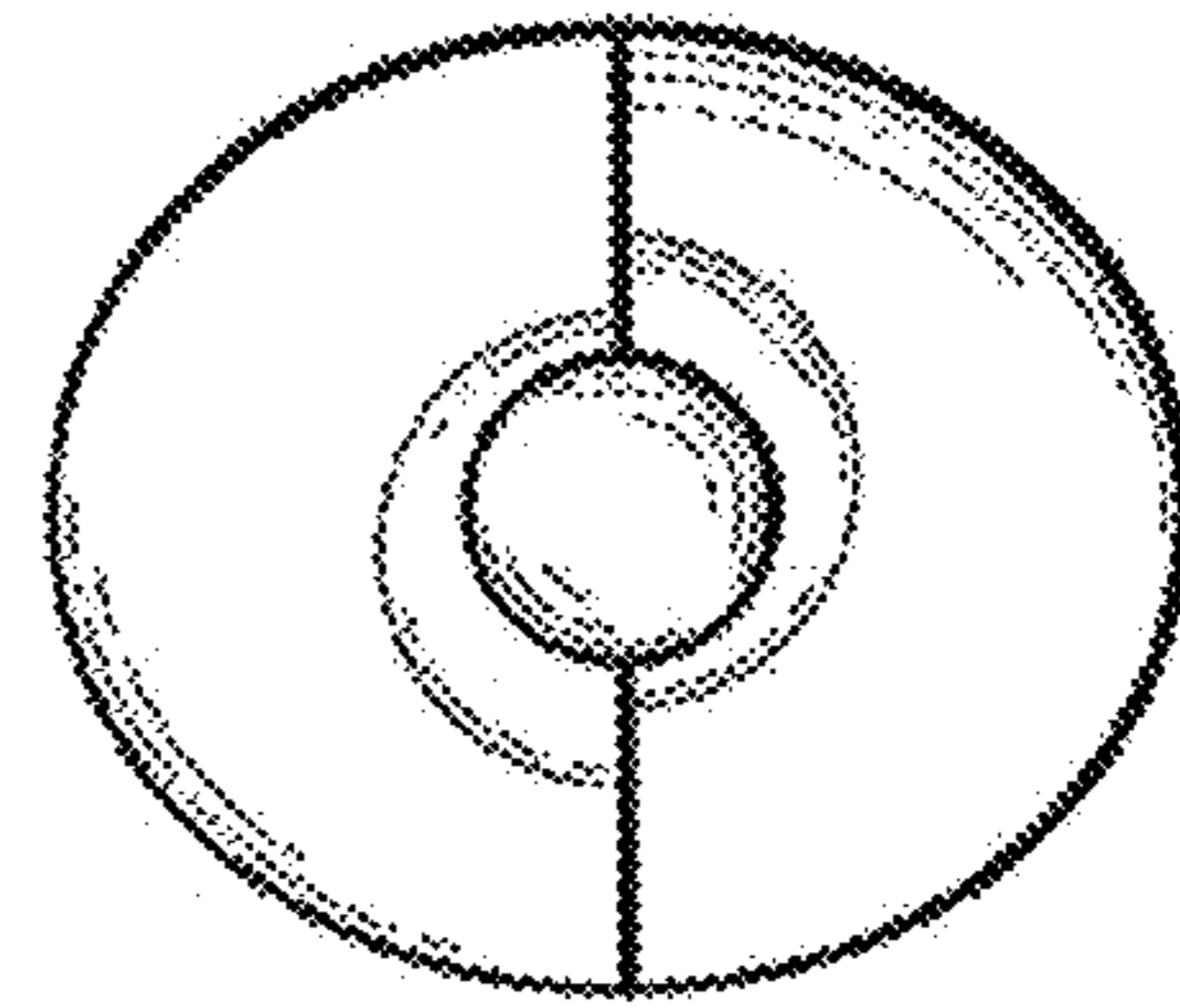


FIG. 2

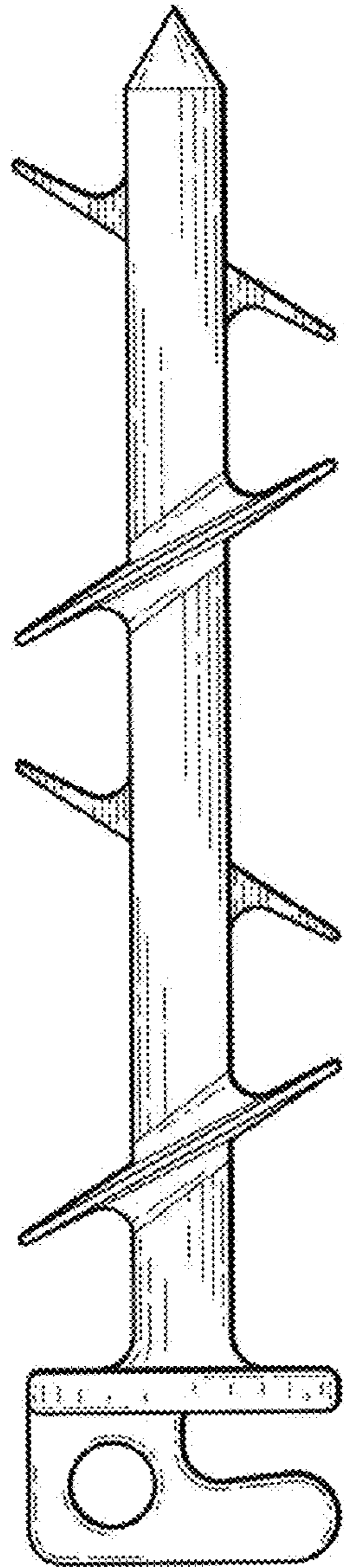


FIG. 4

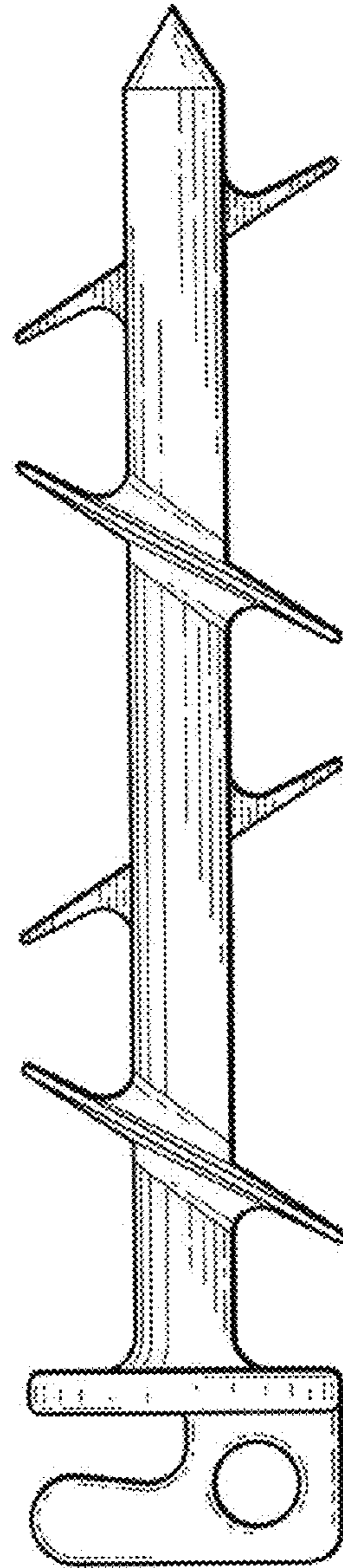


FIG. 5

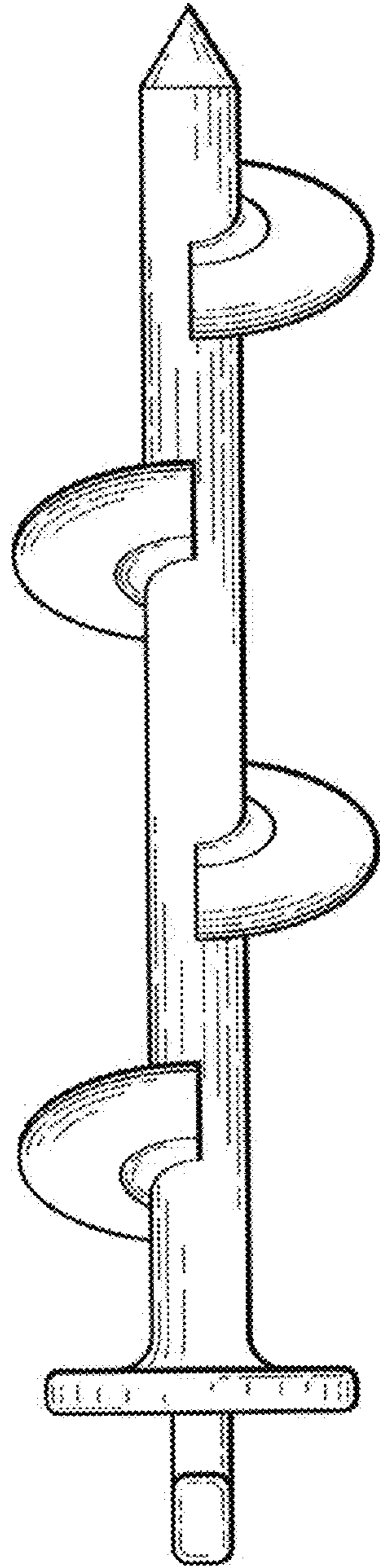


FIG. 6

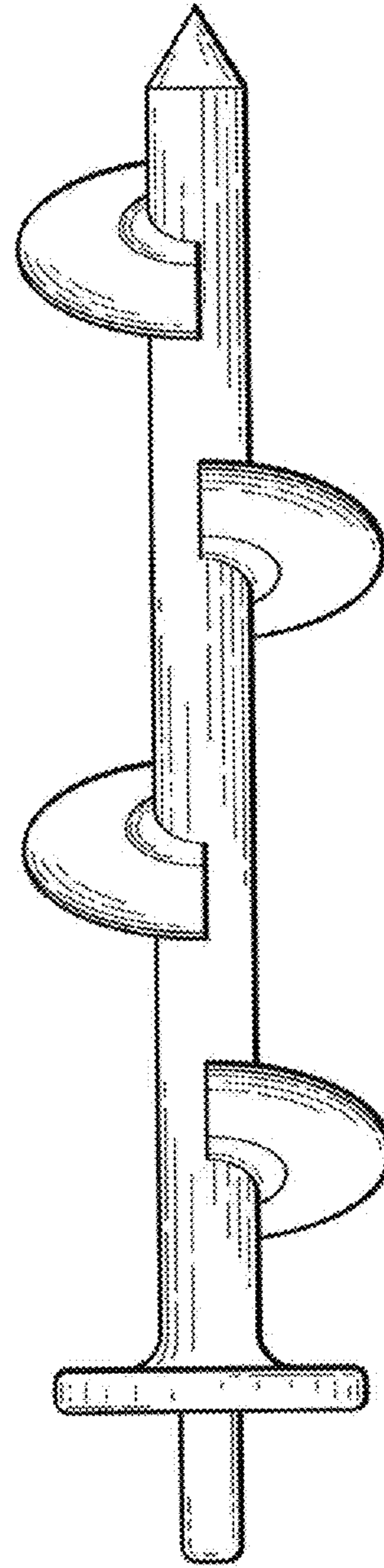


FIG. 7