



US00D706892S

(12) **United States Design Patent**  
**Altindag**

(10) **Patent No.:** **US D706,892 S**  
(45) **Date of Patent:** **\*\* Jun. 10, 2014**

(54) **WATER PARK UNIT**

(71) Applicant: **Baris Cetin Altindag**, Gebze/Kocaeli (TR)

(72) Inventor: **Baris Cetin Altindag**, Gebze/Kocaeli (TR)

(73) Assignee: **Polin su Parklari ve Havuz Sistemleri Anonim Sirketi**, Gebze/Kocaeli (TR)

(\*\*) Term: **14 Years**

(21) Appl. No.: **29/450,870**

(22) Filed: **Mar. 25, 2013**

(51) **LOC (10) Cl.** ..... **21-06**

(52) **U.S. Cl.**  
USPC ..... **D21/819**

(58) **Field of Classification Search**  
USPC ..... D21/811, 814, 818-822; 472/116, 117  
See application file for complete search history.

(56) **References Cited**

**U.S. PATENT DOCUMENTS**

4,196,900	A *	4/1980	Becker et al.	472/117
D256,827	S *	9/1980	Allen, 3rd	D21/819
D256,828	S *	9/1980	Allen, 3rd	D21/819
D256,940	S *	9/1980	Allen, 3rd	D21/819
4,394,173	A *	7/1983	Aste	472/116
D375,775	S *	11/1996	King	D21/818
D375,776	S *	11/1996	King	D21/818
6,354,955	B1 *	3/2002	Stuart et al.	472/117
6,485,372	B2 *	11/2002	Stuart et al.	472/117
D495,022	S *	8/2004	Auberger	D21/818

6,857,964	B2 *	2/2005	Hunter	472/116
D521,098	S *	5/2006	Hunter	D21/819
7,056,220	B2 *	6/2006	Hunter	472/117
D548,810	S *	8/2007	Hunter	D21/821
D567,322	S *	4/2008	Hunter	D21/821
D583,895	S *	12/2008	Hlynka	D21/821
D629,861	S *	12/2010	Cuttell et al.	D21/821
D650,463	S *	12/2011	Degirmenci	D21/819
8,360,894	B2 *	1/2013	Hlynka	472/117
8,430,760	B2 *	4/2013	Brassard	472/117
D697,159	S *	1/2014	Altindag	D21/819

\* cited by examiner

*Primary Examiner* — Mitchell Siegel

(74) *Attorney, Agent, or Firm* — Egbert Law Offices, PLLC

(57) **CLAIM**

The ornamental design for a water park unit, as shown and described.

**DESCRIPTION**

FIG. 1 is a front elevation view of the water park unit showing my new design.

FIG. 2 is a right side elevation view thereof;

FIG. 3 is a left side elevation view thereof;

FIG. 4 is a top plan view thereof;

FIG. 5 is a perspective view thereof from the front, right side;

FIG. 6 is a perspective view thereof from the front, left side;

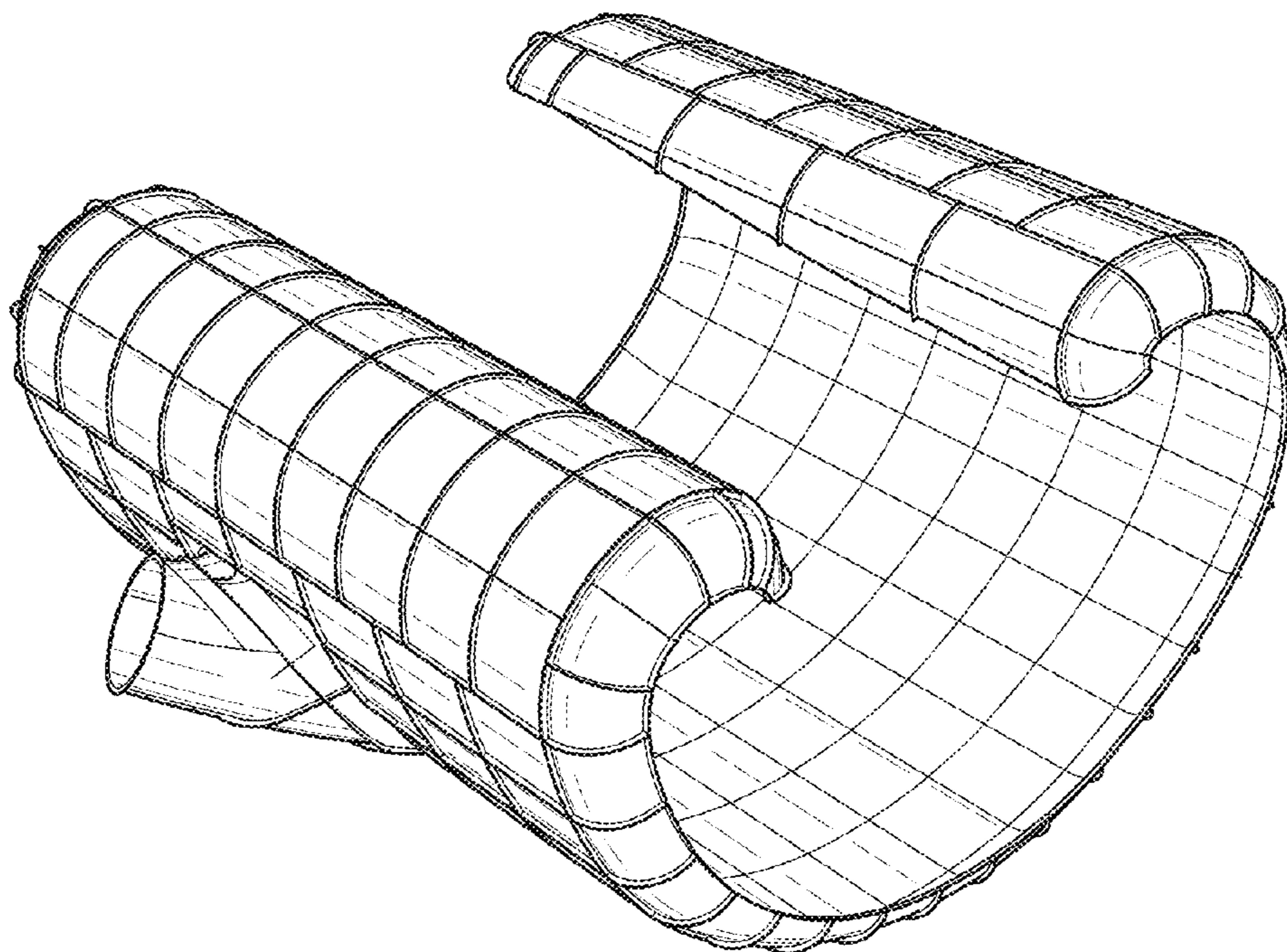
FIG. 7 is a perspective view thereof from the rear, left side;

and,

FIG. 8 is a perspective view thereof from the rear, right side.

The broken lines in the drawings represent unclaimed portions of the water park unit and form no part of the claimed design.

**1 Claim, 4 Drawing Sheets**



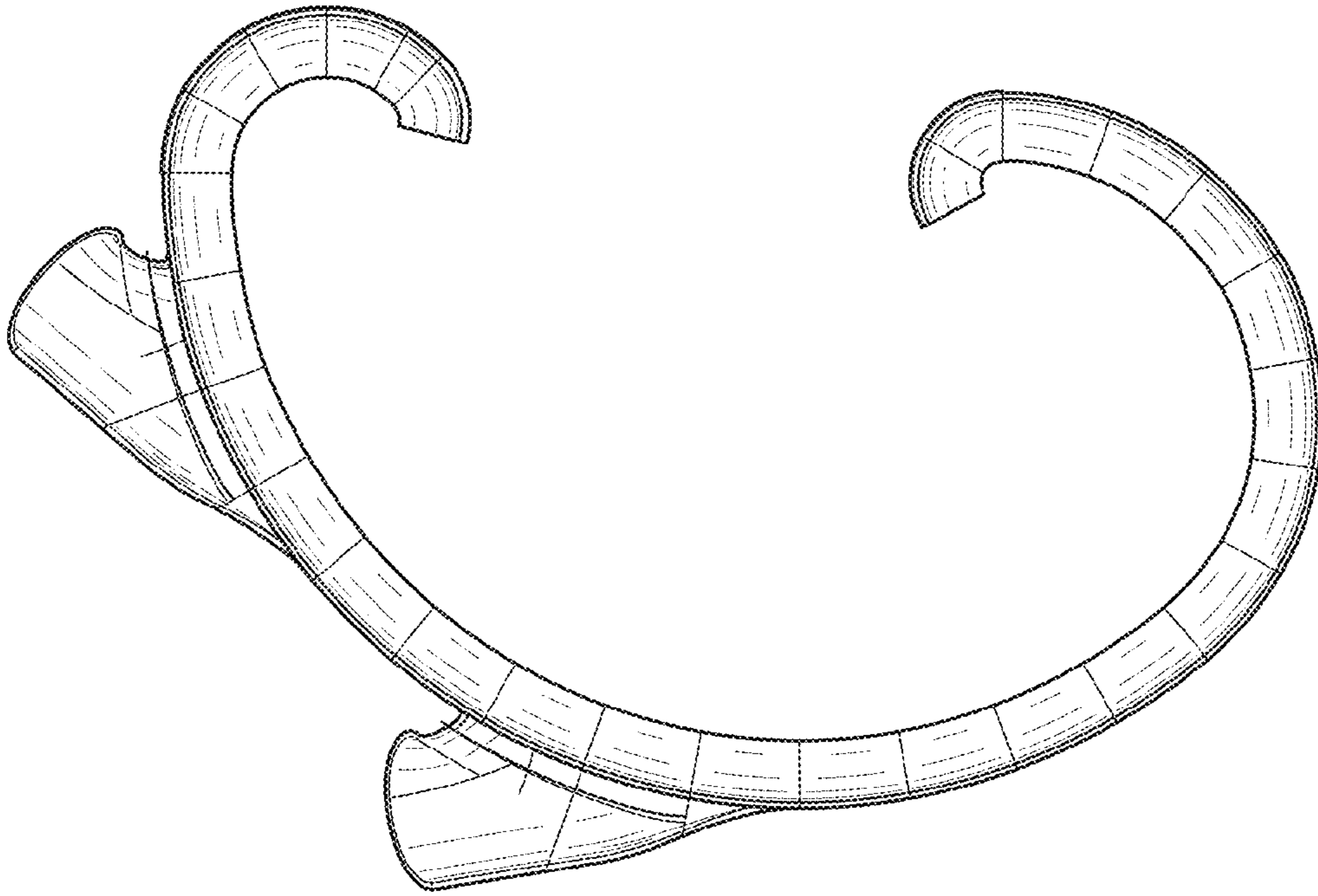


FIG. 1

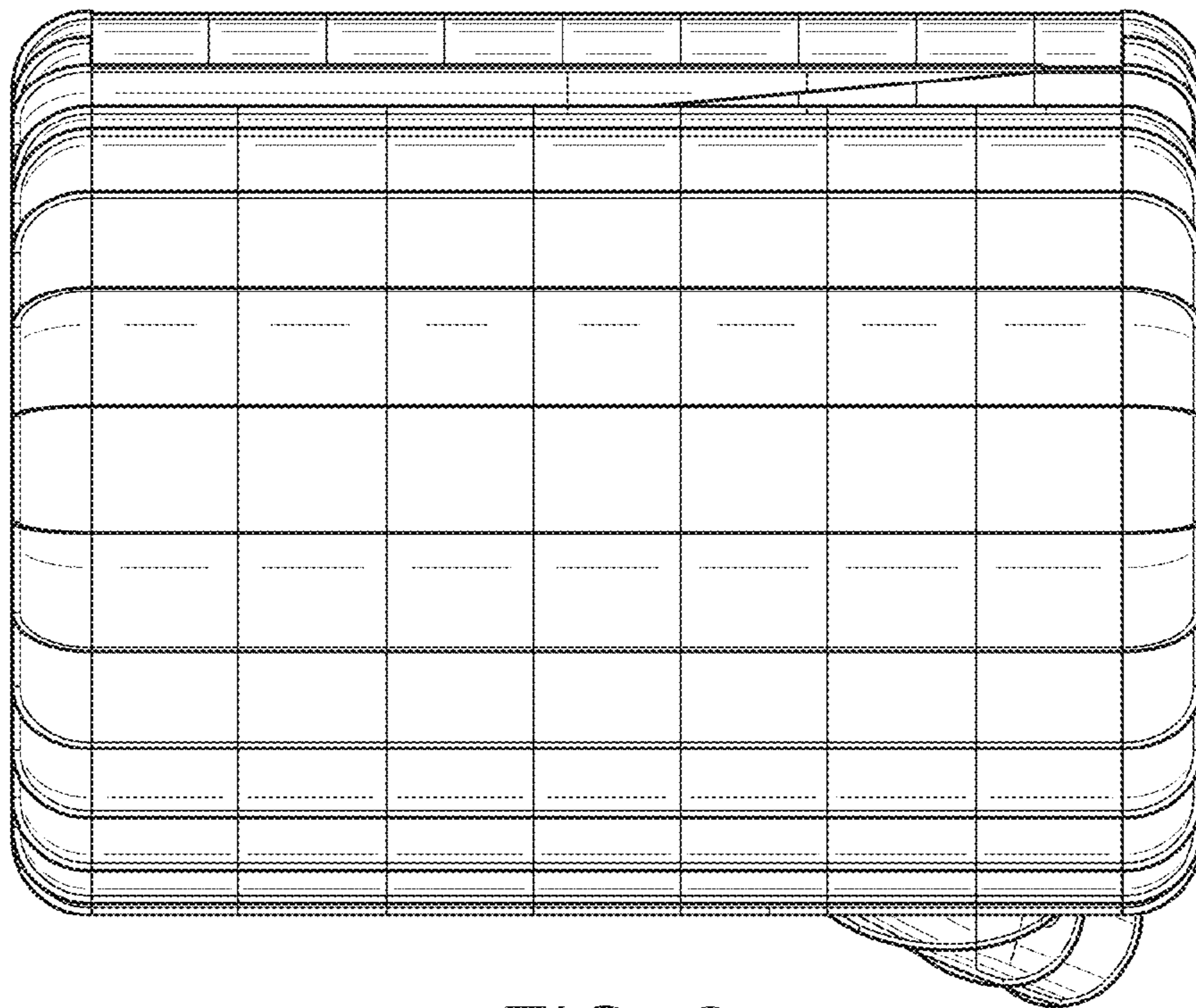


FIG. 2



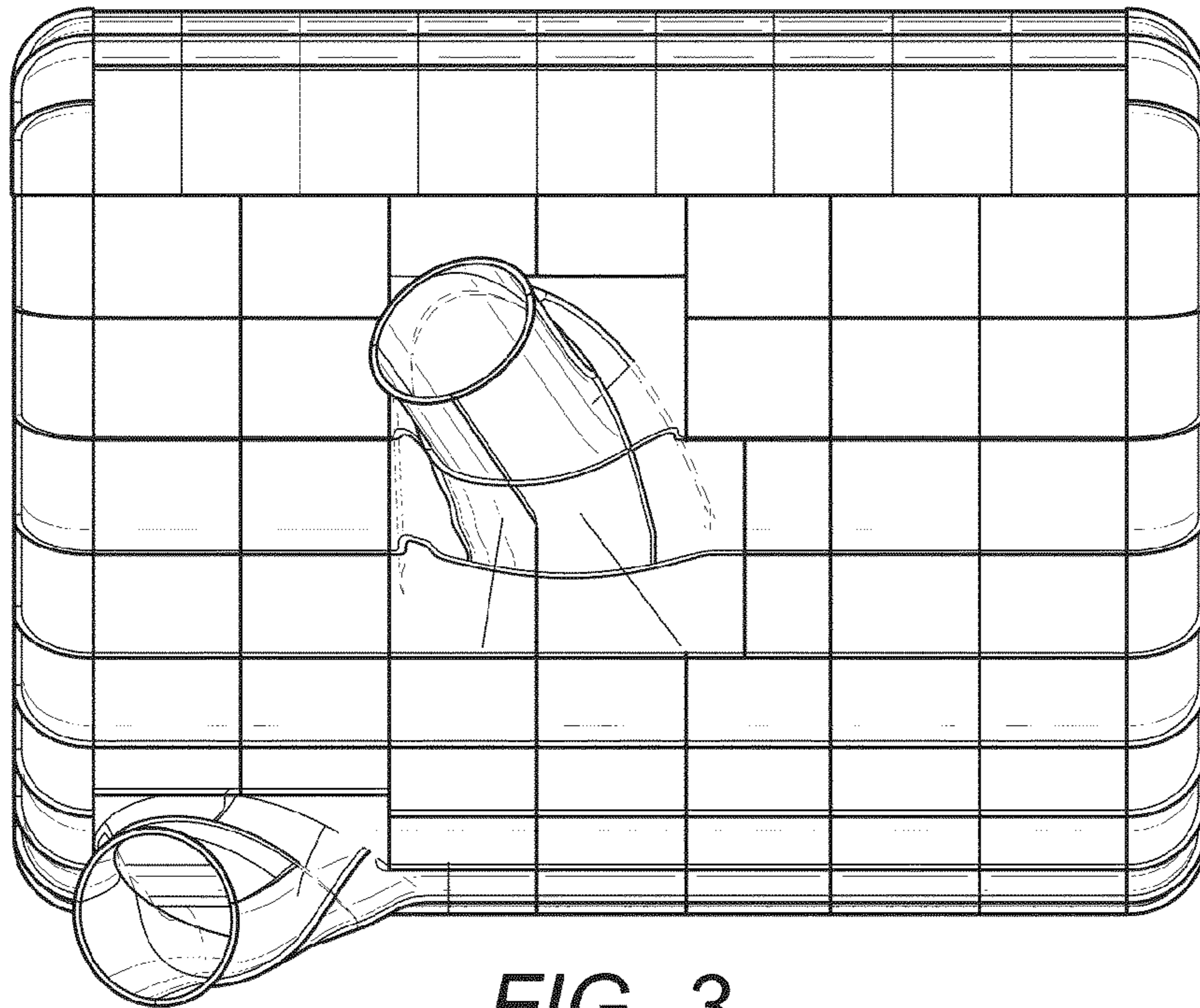


FIG. 3

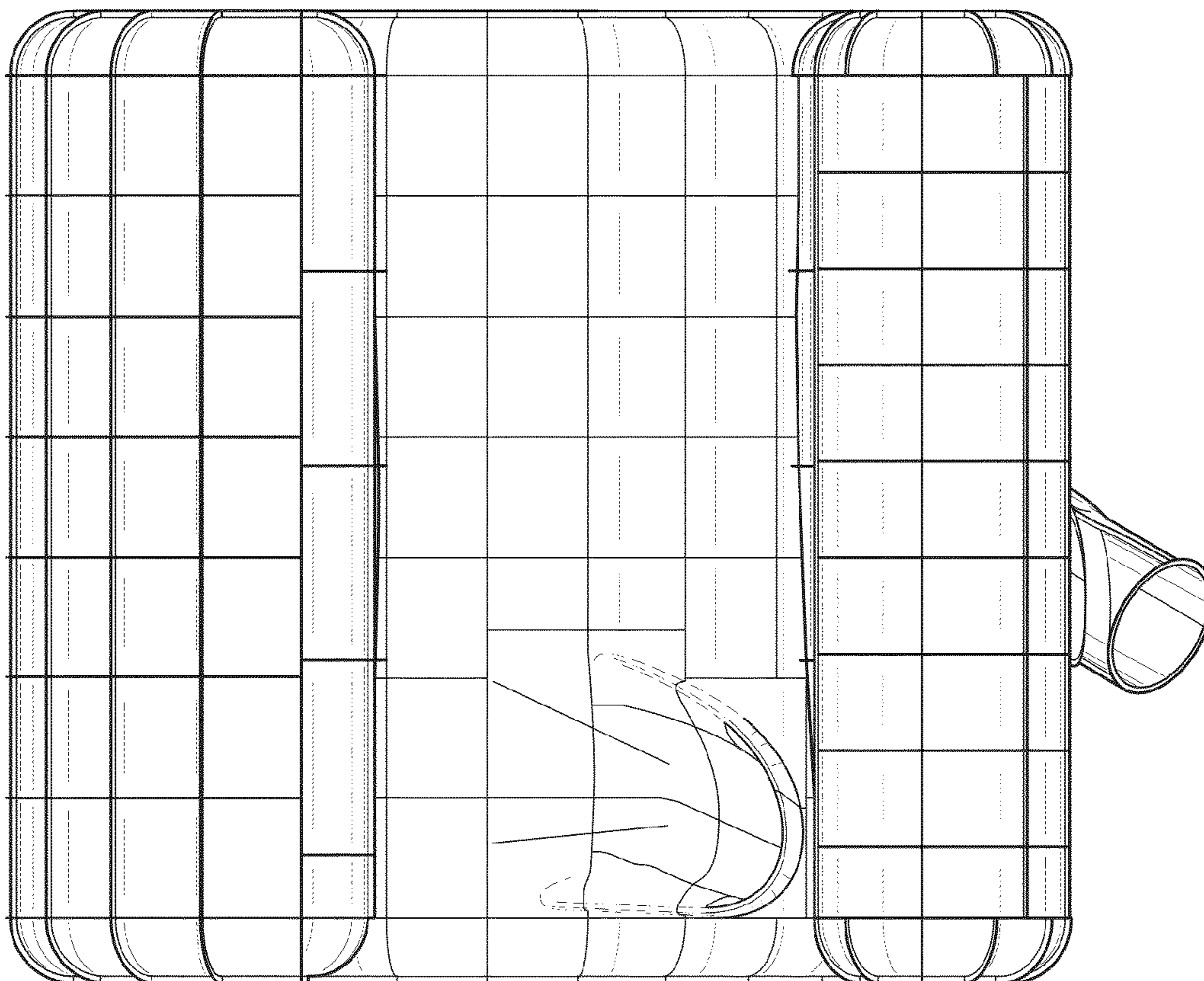


FIG. 4



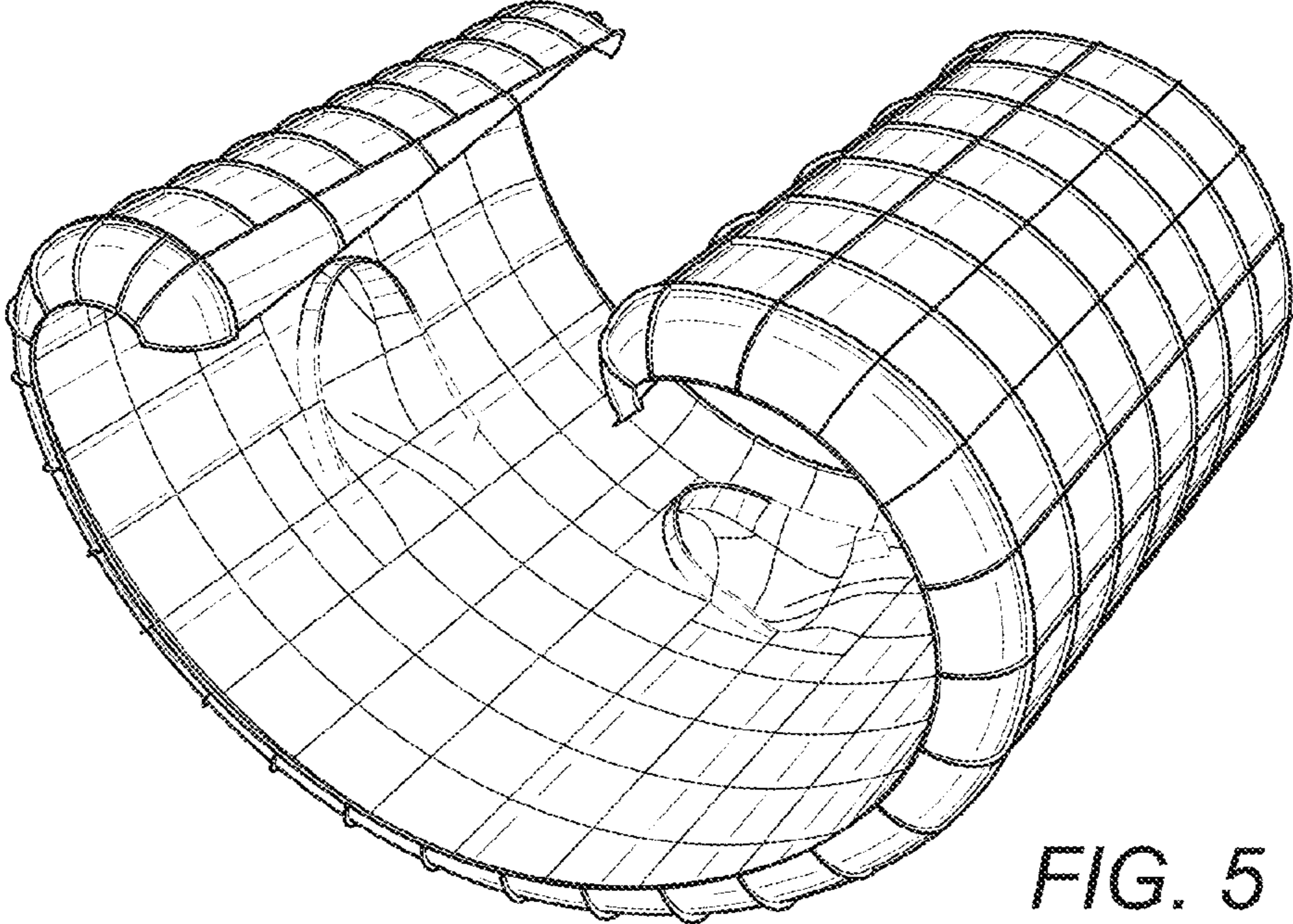


FIG. 5

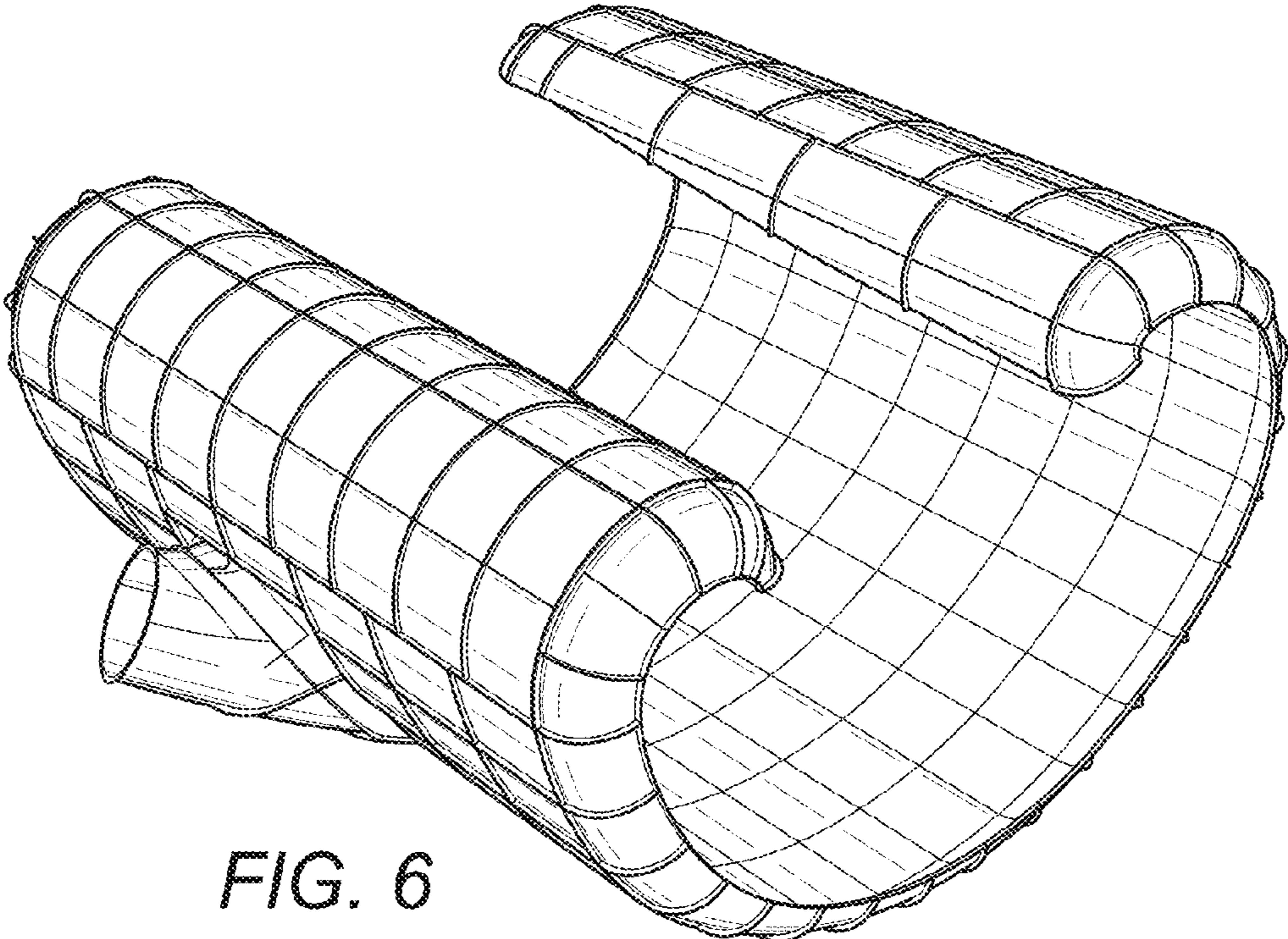


FIG. 6



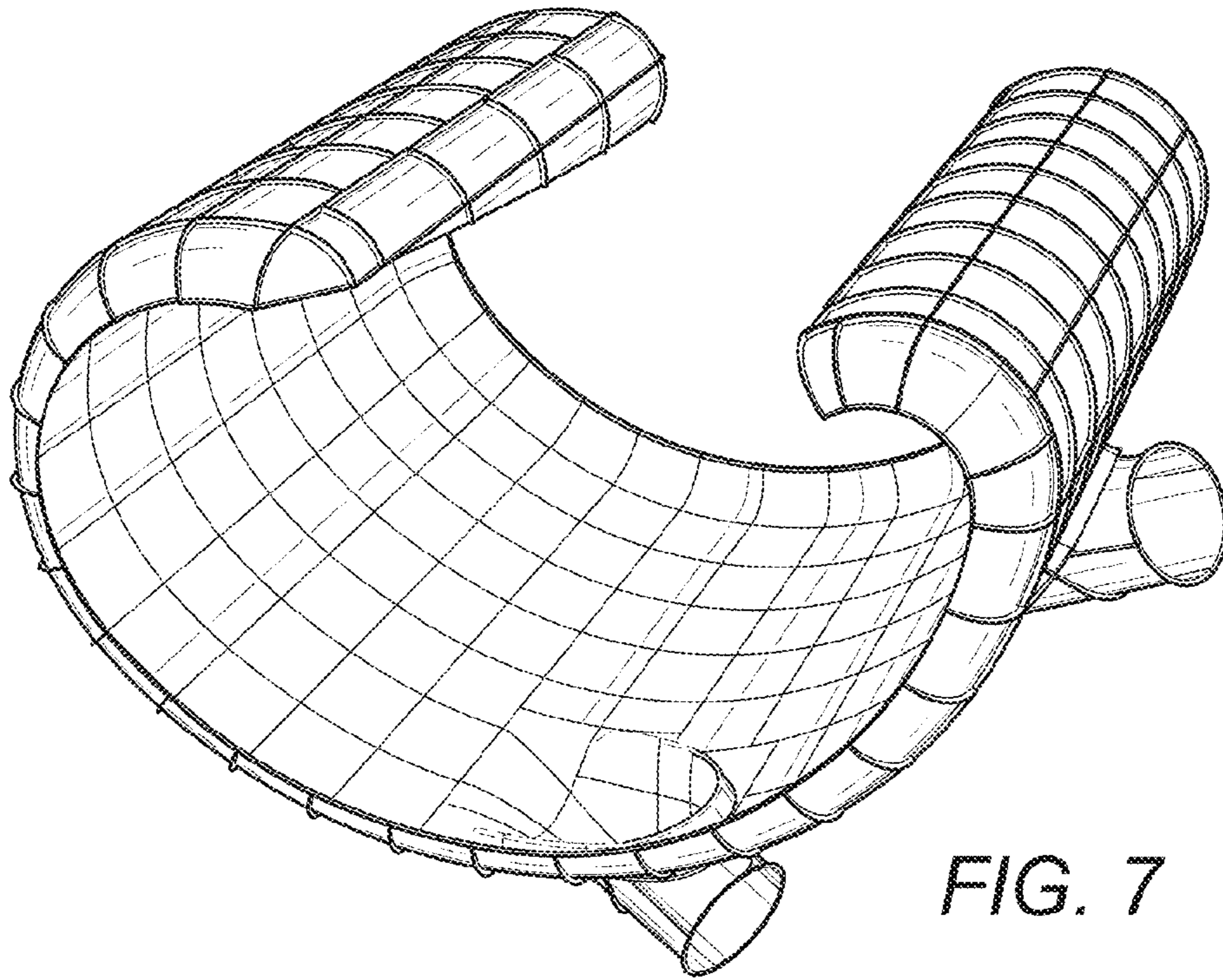


FIG. 7

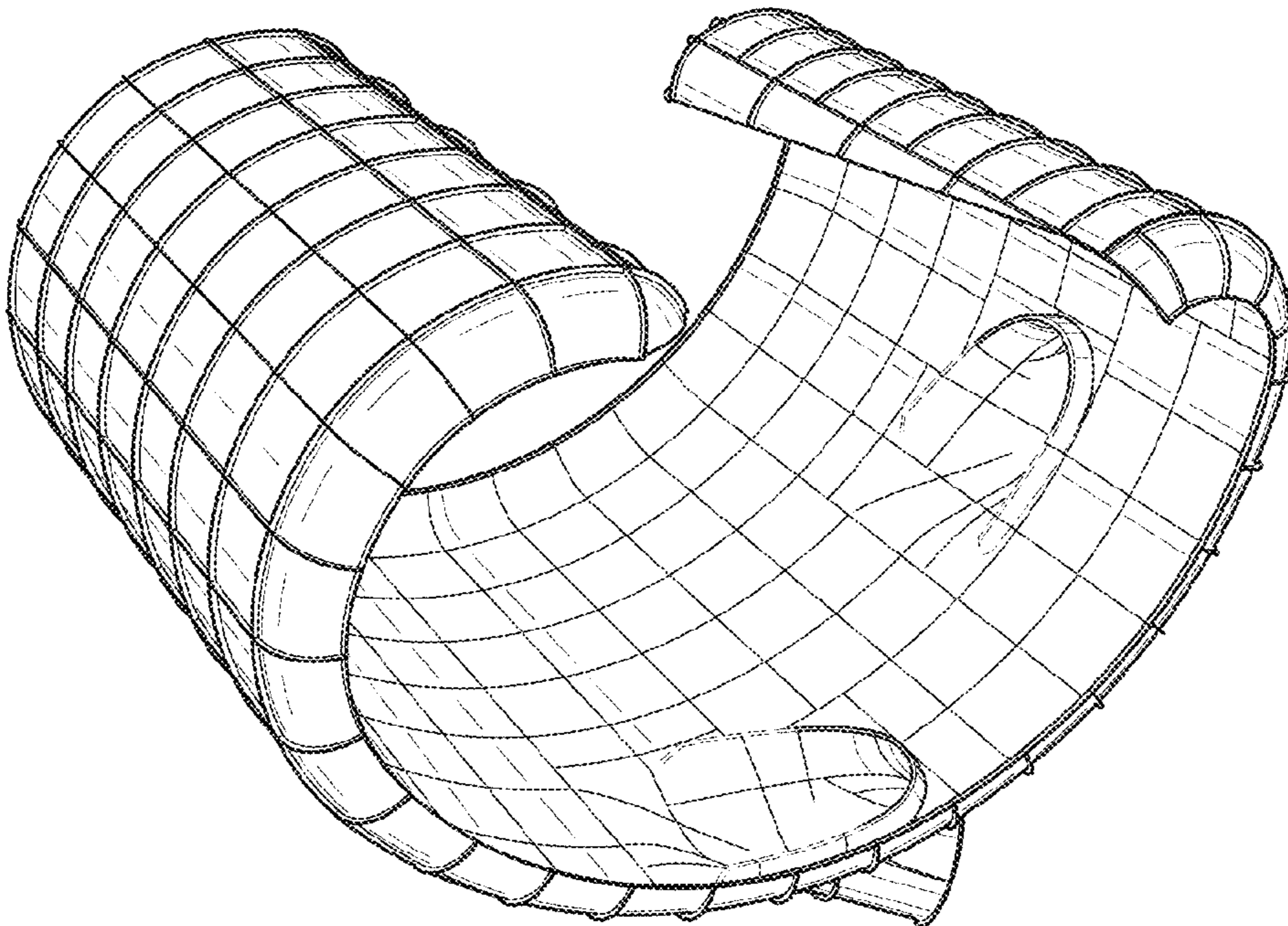


FIG. 8