



US00D706889S

(12) **United States Design Patent**  
**Levindofske**

(10) **Patent No.:** **US D706,889 S**  
(45) **Date of Patent:** **\*\* Jun. 10, 2014**

- (54) **GOLF PUTTING TRAINER**
- (71) Applicant: **Timothy Levindofske**, Orchard Park, NY (US)
- (72) Inventor: **Timothy Levindofske**, Orchard Park, NY (US)
- (\*\*) Term: **14 Years**
- (21) Appl. No.: **29/458,382**
- (22) Filed: **Jun. 19, 2013**
- (51) **LOC (10) Cl.** ..... **21-02**
- (52) **U.S. Cl.**  
USPC ..... **D21/791**
- (58) **Field of Classification Search**  
USPC ..... D21/789, 791, 756-758; 473/201-204, 473/300-303, 212-214, 276, 251, 223, 226  
See application file for complete search history.

5,772,523	A	6/1998	Sheftic	
5,904,624	A *	5/1999	Martinez	473/212
5,941,780	A	8/1999	Marier, Jr.	
6,656,056	B1	12/2003	Leonard	
6,875,125	B1 *	4/2005	Federowicz	473/303
D516,653	S *	3/2006	Gazeley	D21/756
7,160,199	B1	1/2007	Mitchell et al.	
D638,899	S *	5/2011	Quinlan	D21/791
D680,608	S *	4/2013	Rapcavage	D21/791
2004/0082400	A1 *	4/2004	Yoshimura	473/276

**OTHER PUBLICATIONS**

Golf Training Aids, Putt Master, at least Apr. 4, 2013, retrieved from [www.golfrainingaids.com/putt-master/productinfo/puttm/](http://www.golfrainingaids.com/putt-master/productinfo/puttm/).

\* cited by examiner

*Primary Examiner* — Mitchell Siegel

(74) *Attorney, Agent, or Firm* — Hodgson Russ LLP

(57) **CLAIM**

The ornamental design for a golf putting trainer, as shown and described.

**DESCRIPTION**

FIG. 1 is a perspective view of a golf putting trainer showing my new design;

FIG. 2 is a perspective view, the broken line showing of the fragmented shaft is for illustrative purposes only and forms no part of the claimed design.

FIG. 3 is a front view thereof;

FIG. 4 is a bottom view thereof;

FIG. 5 is a top view thereof; and,

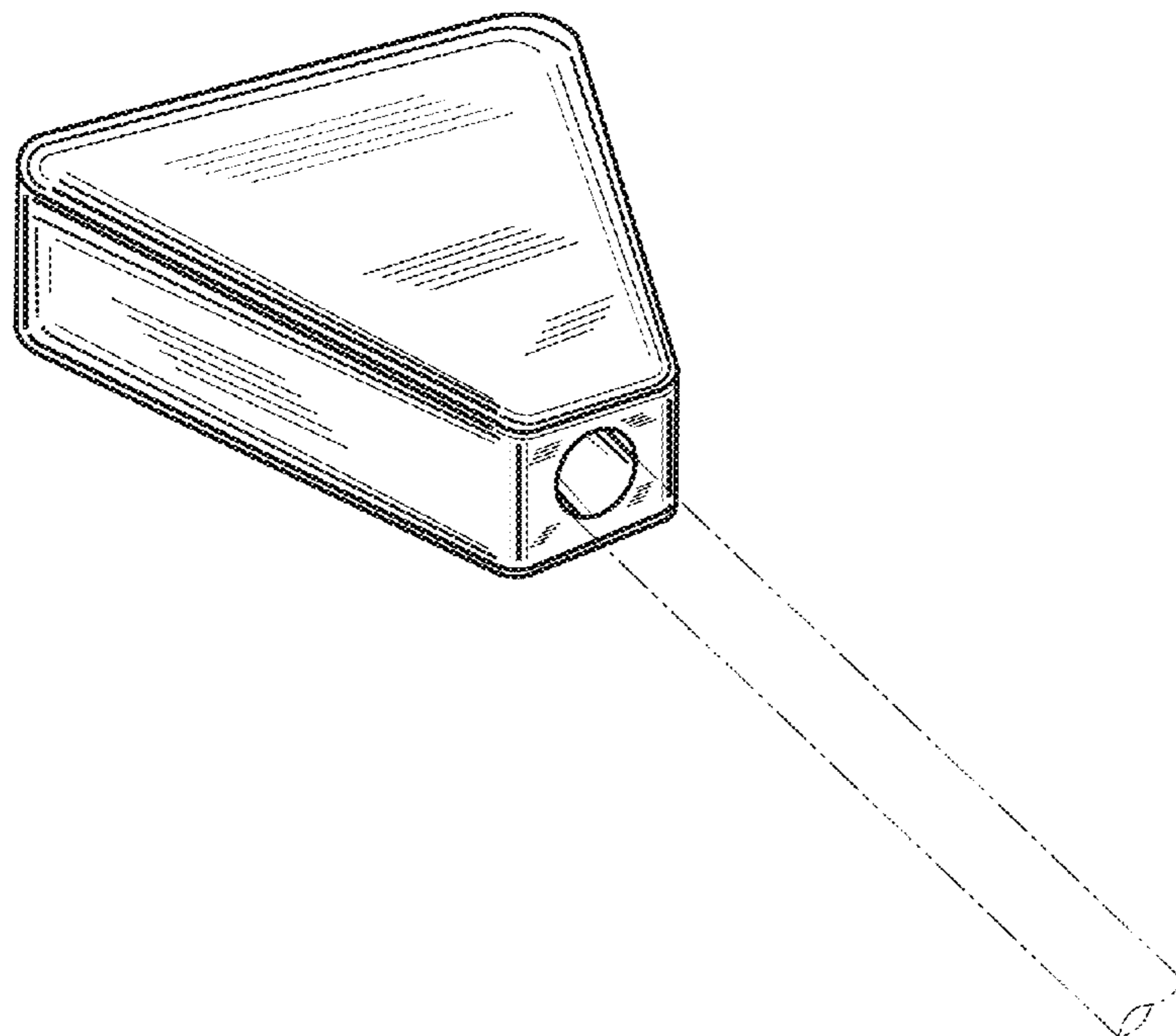
FIG. 6 is a left side view thereof, the right side forming a mirror image thereof.

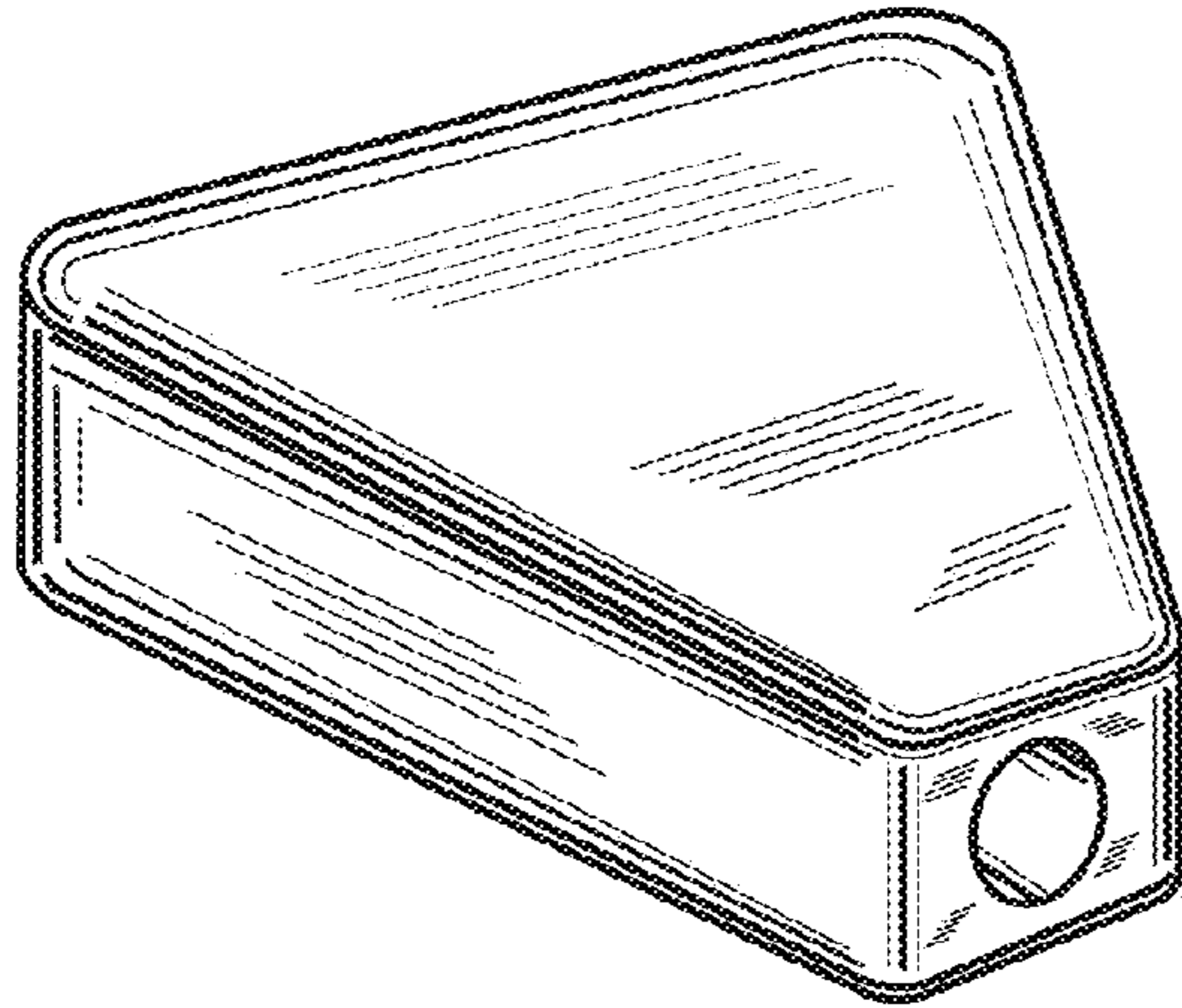
**1 Claim, 2 Drawing Sheets**

(56) **References Cited**

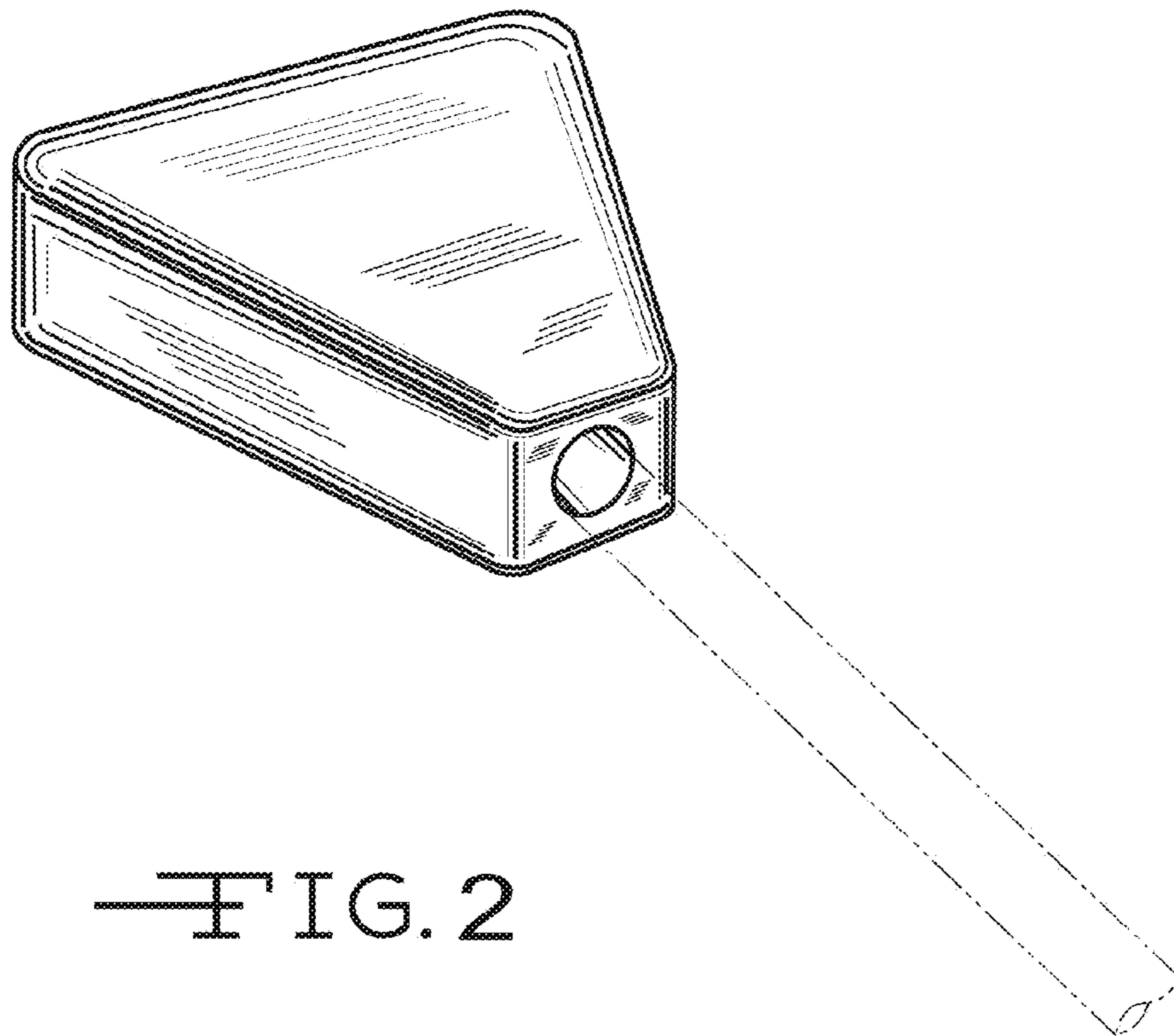
**U.S. PATENT DOCUMENTS**

3,951,416	A	4/1976	Koch et al.	
4,067,573	A *	1/1978	Key, Jr.	473/201
4,215,860	A *	8/1980	Nakamatsu	473/201
4,880,240	A *	11/1989	Lewis	473/215
5,096,199	A *	3/1992	Wyatt et al.	473/212
5,163,685	A	11/1992	Rhodes	
5,259,621	A *	11/1993	Keefe	473/212
5,295,690	A *	3/1994	Johnson	473/212
D355,011	S *	1/1995	Subnick	D21/756
5,470,073	A *	11/1995	Vasquez	473/206
5,501,464	A *	3/1996	Dalbo	473/213
D369,846	S *	5/1996	Jones	D21/791

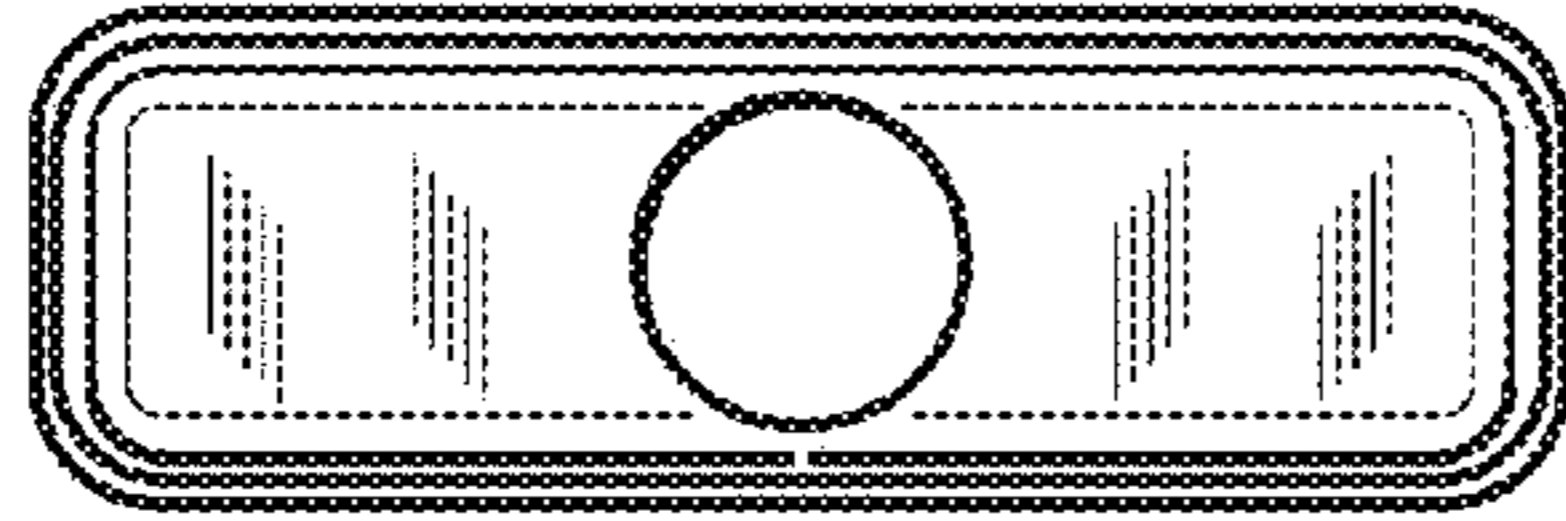




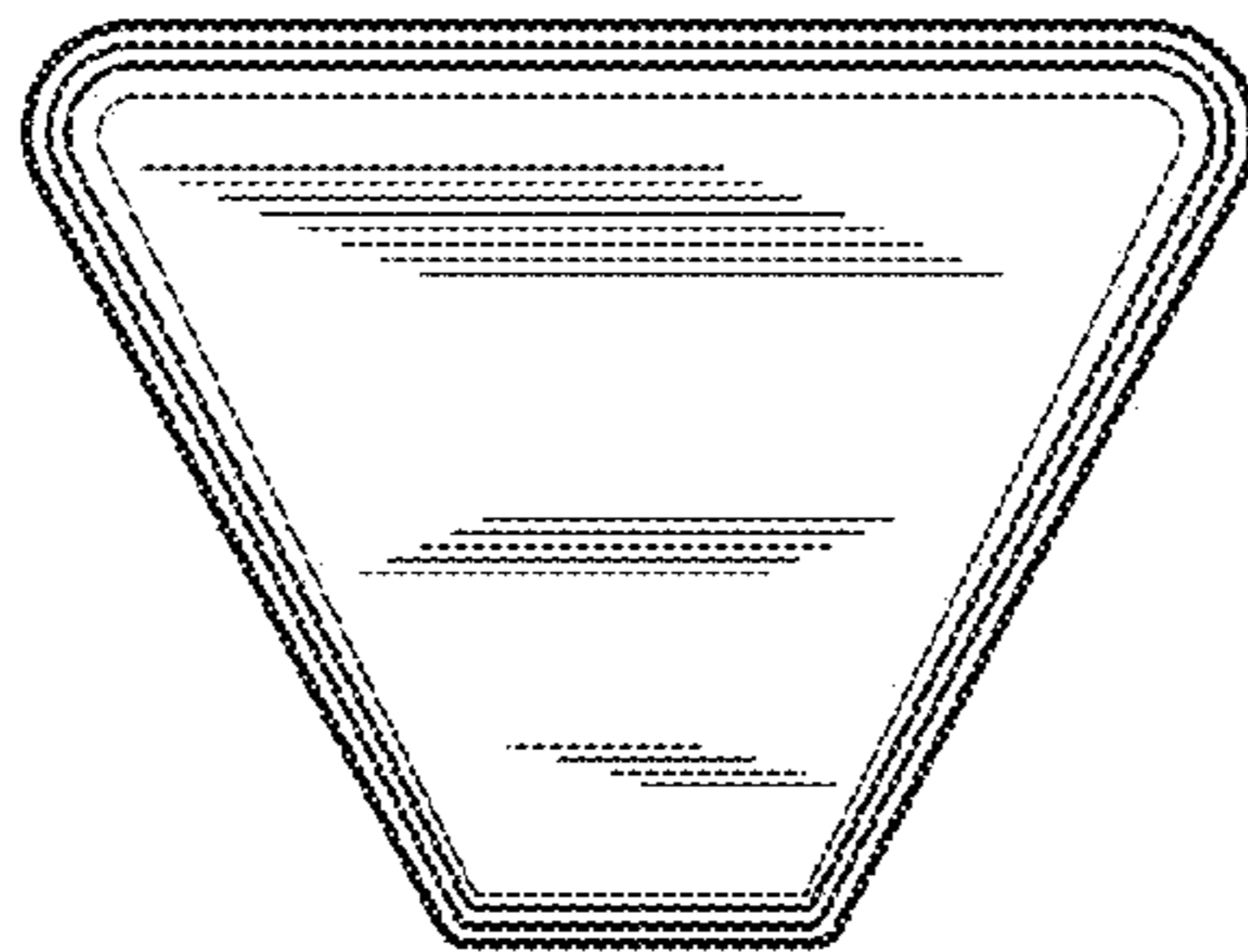
—FIG. 1



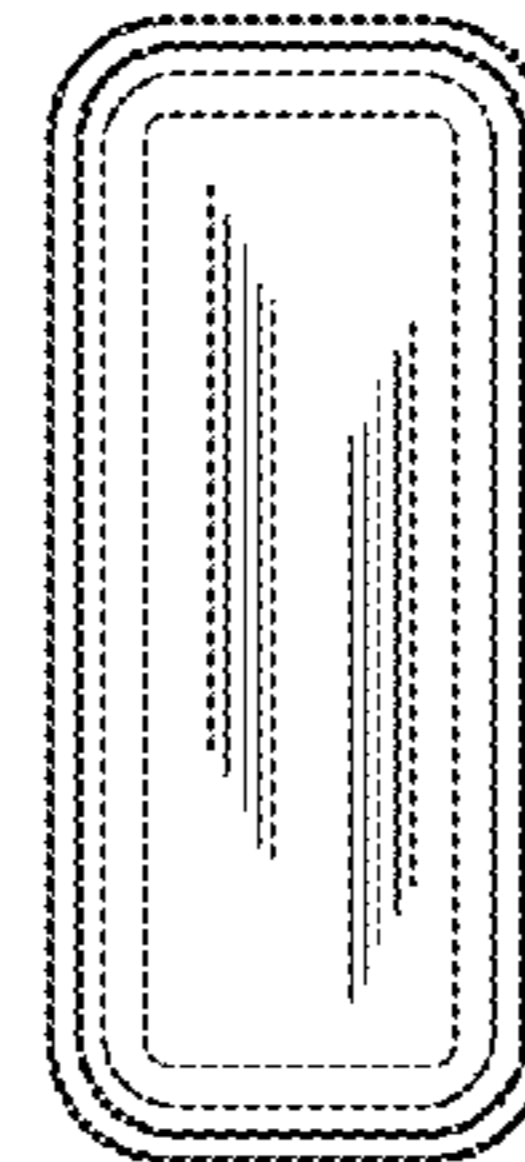
—FIG. 2



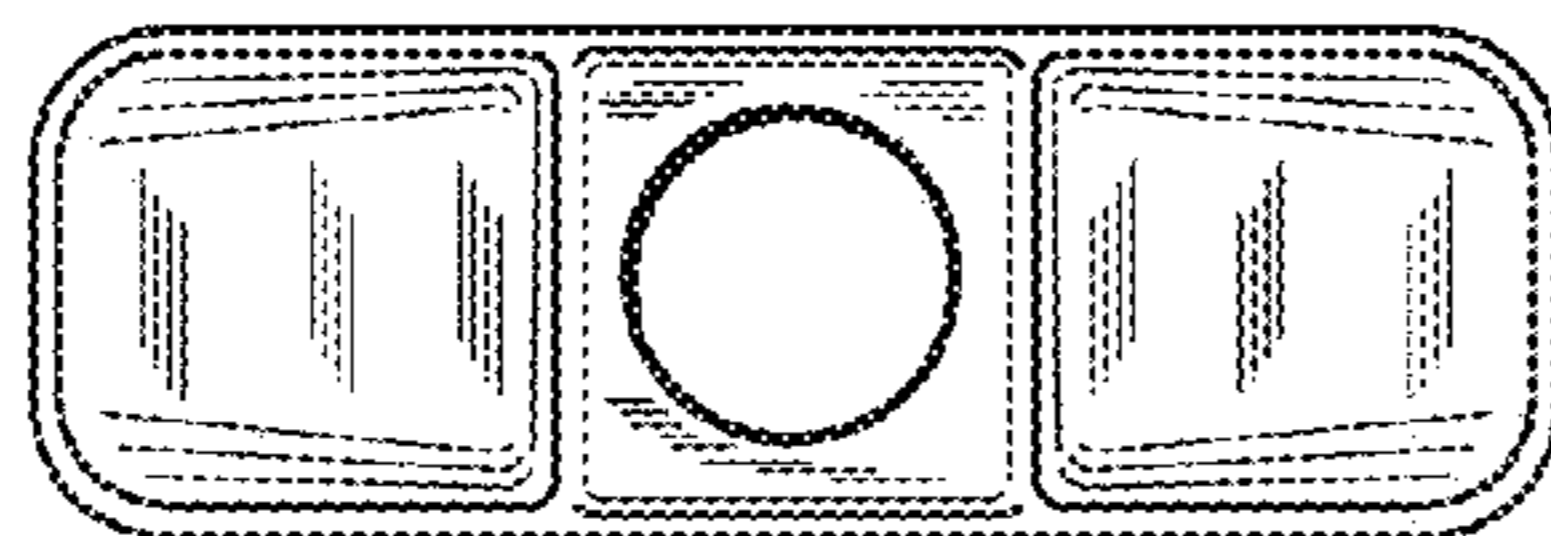
—FIG. 5



—FIG. 3



—FIG. 6



—FIG. 4