



US00D706888S

(12) **United States Design Patent**  
**Gideon**

(10) **Patent No.:** **US D706,888 S**  
(45) **Date of Patent:** **\*\* Jun. 10, 2014**

- (54) **ATHLETIC TRAINING APPARATUS**
- (71) Applicant: **Steve Gideon**, Leander, TX (US)
- (72) Inventor: **Steve Gideon**, Leander, TX (US)
- (\*\*) Term: **14 Years**

D608,503	S *	1/2010	de Roaldes et al. ....	D29/101.4
7,686,699	B2 *	3/2010	Snyders .....	473/216
8,123,635	B2 *	2/2012	Gillis .....	473/450
8,152,660	B1 *	4/2012	Jimenez et al. ....	473/450
8,157,665	B2 *	4/2012	Gibbs .....	473/215
2010/0323824	A1 *	12/2010	Gamboa .....	473/438
2013/0177886	A1 *	7/2013	McLaughlin .....	434/251

- (21) Appl. No.: **29/444,050**
- (22) Filed: **Jan. 25, 2013**

**Related U.S. Application Data**

- (63) Continuation-in-part of application No. 13/565,238, filed on Aug. 2, 2012.
- (51) **LOC (10) Cl.** ..... **21-02**
- (52) **U.S. Cl.**  
USPC ..... **D21/788**; D21/698
- (58) **Field of Classification Search**  
USPC ..... D21/662, 694, 698, 781, 788, 791, 800, D21/805; D29/100, 101.1–101.4; D2/739, D2/829, 830; 473/63, 214–216, 415, 422, 473/438, 447, 448, 450, 470; 273/DIG. 19; 482/14, 20; 434/247, 248, 249, 251, 434/252; 2/455, 462, 463, 908  
See application file for complete search history.

(56) **References Cited**

**U.S. PATENT DOCUMENTS**

D226,538	S *	3/1973	Frieder, Jr. ....	D21/805
3,820,783	A *	6/1974	Caveness .....	473/450
D232,317	S *	8/1974	Rutland .....	D21/805
4,383,685	A	5/1983	Bishop	
4,481,679	A *	11/1984	Hayes .....	2/463
D278,840	S *	5/1985	Winston .....	D21/683
4,579,341	A *	4/1986	Furr .....	473/450
D290,983	S *	7/1987	Taylor .....	D21/662
5,403,002	A *	4/1995	Brunty .....	473/438
D422,666	S *	4/2000	Wagner .....	D21/805
6,645,093	B2 *	11/2003	Sheppard .....	473/450
D554,225	S *	10/2007	Peterson .....	D21/805
D598,166	S *	8/2009	Kemper .....	D29/101.4

**OTHER PUBLICATIONS**

Smart Football—Analysis and Strategy by Chris, “Can a quarterback’s throwing motion be improved?” Aug. 22, 2011, <http://smartfootball.com/quarterbacking/can-a-quarterbacks-throwing-motion-be-improved>, 10 pages. [Retrieved Aug. 12, 2012].

ESPN, “The pursuit of throwing perfectly,” The 12 things David Fleming learned about being a quarterback, Apr. 21, 2010, <http://sports.espn.go.com/espn/page2/story?page=fleming/100421>, 4 pages. [Retrieved Aug. 2, 2012].

\* cited by examiner

*Primary Examiner* — Catherine Tuttle  
(74) *Attorney, Agent, or Firm* — Meyertons, Hood, Kivlin, Kowert & Goetzel, P.C.

(57) **CLAIM**

The ornamental design for an athletic training apparatus, as shown and described.

**DESCRIPTION**

FIG. 1 is a top left and front perspective view of the athletic training apparatus showing my new design.

FIG. 2 is a front view thereof.

FIG. 3 is a rear view thereof.

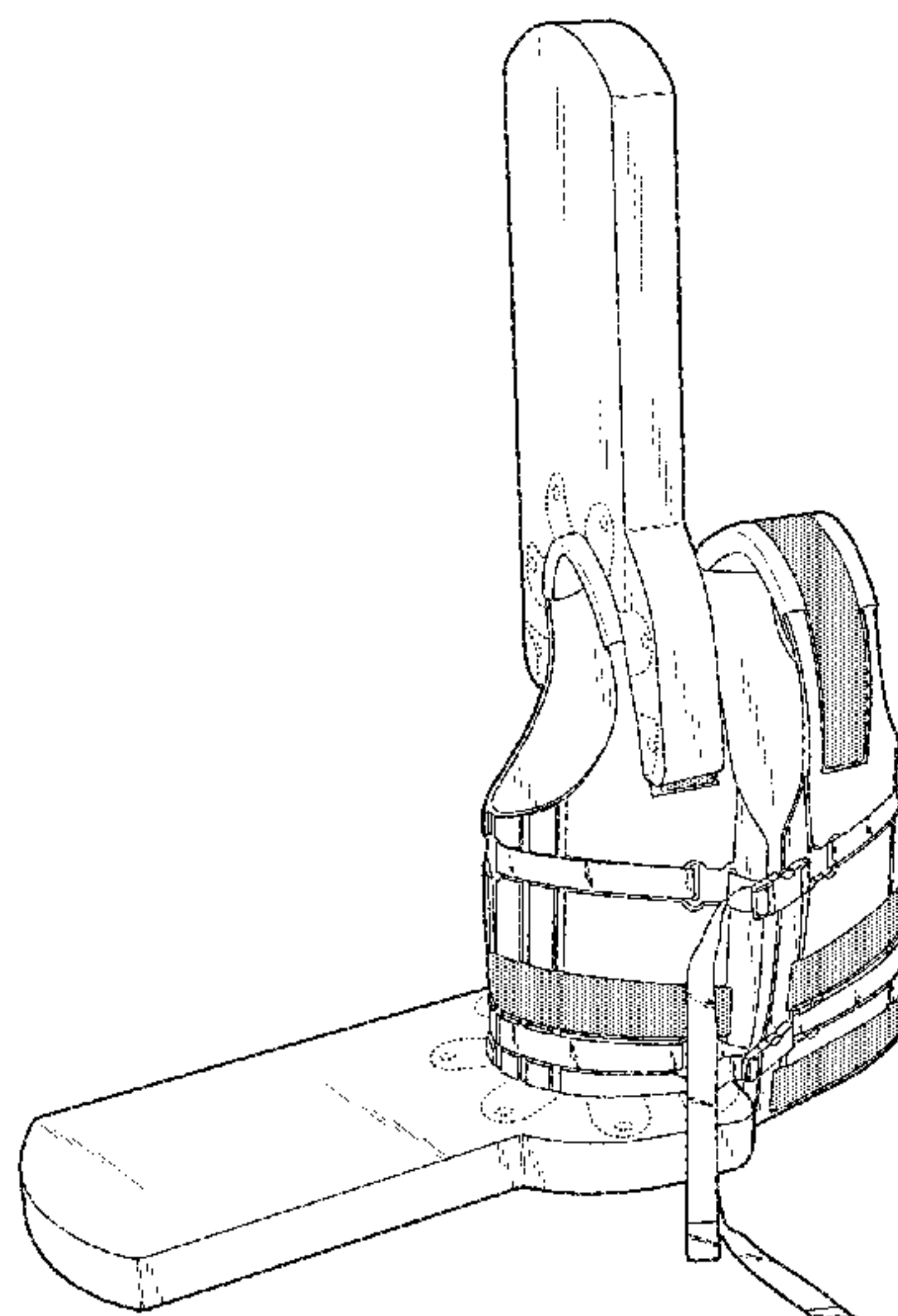
FIG. 4 is a right side view thereof; and,

FIG. 5 is a left side view thereof.

The broken lines are included for the purpose of illustrating features of the athletic training apparatus that form no part of the claimed design.

The variations in the position of some portions of the design are due to their flexible nature.

**1 Claim, 4 Drawing Sheets**



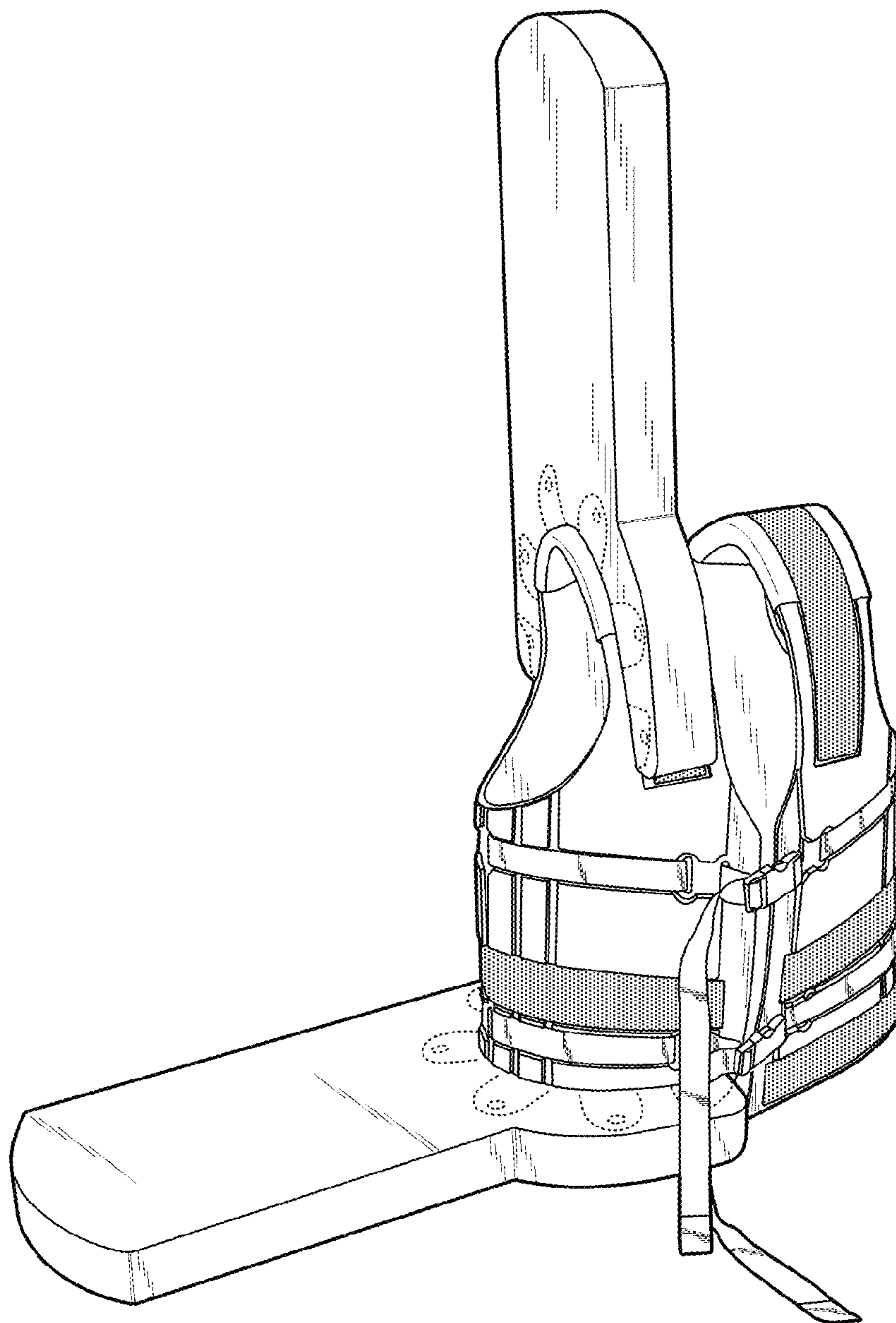


FIG. 1

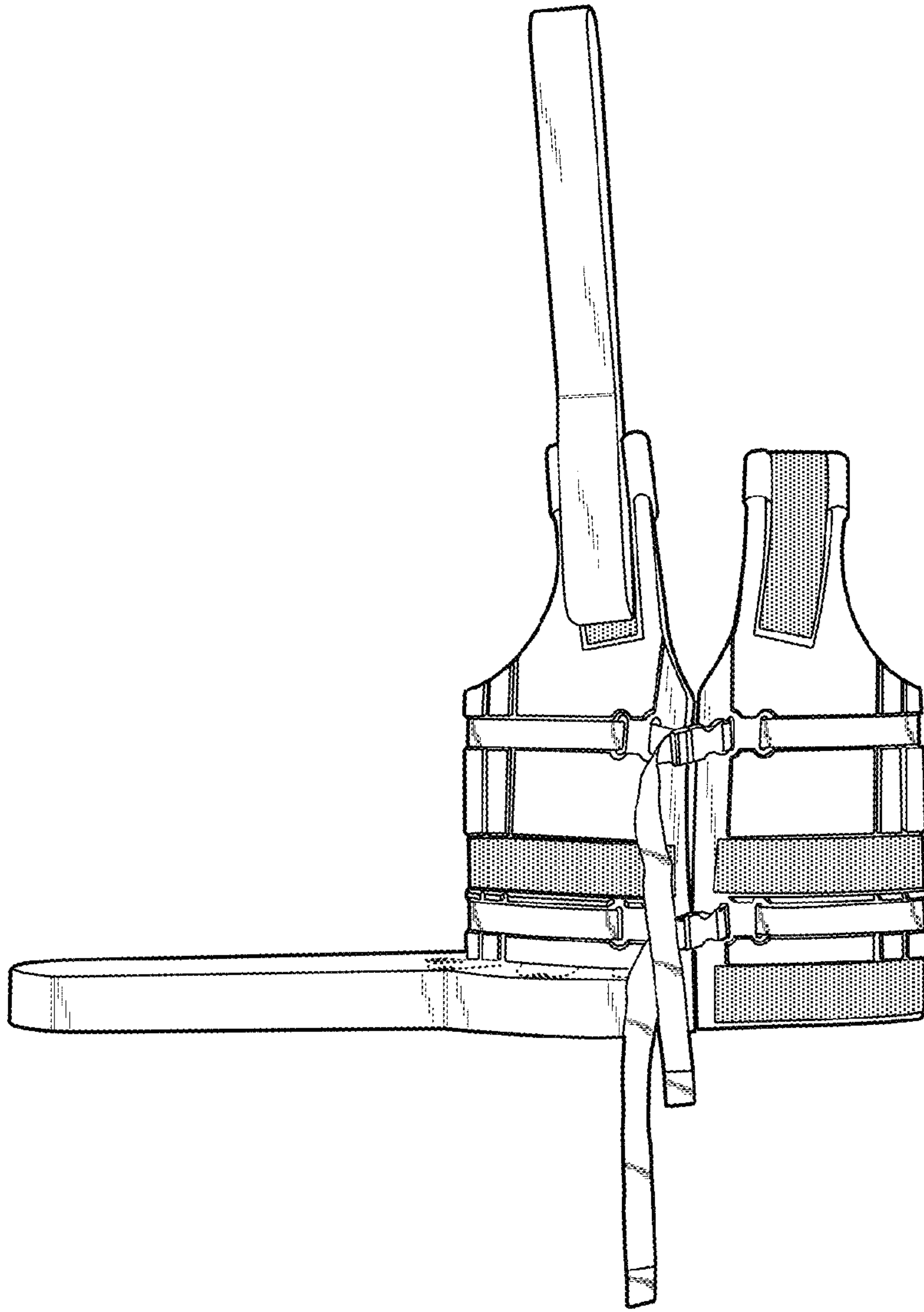


FIG. 2

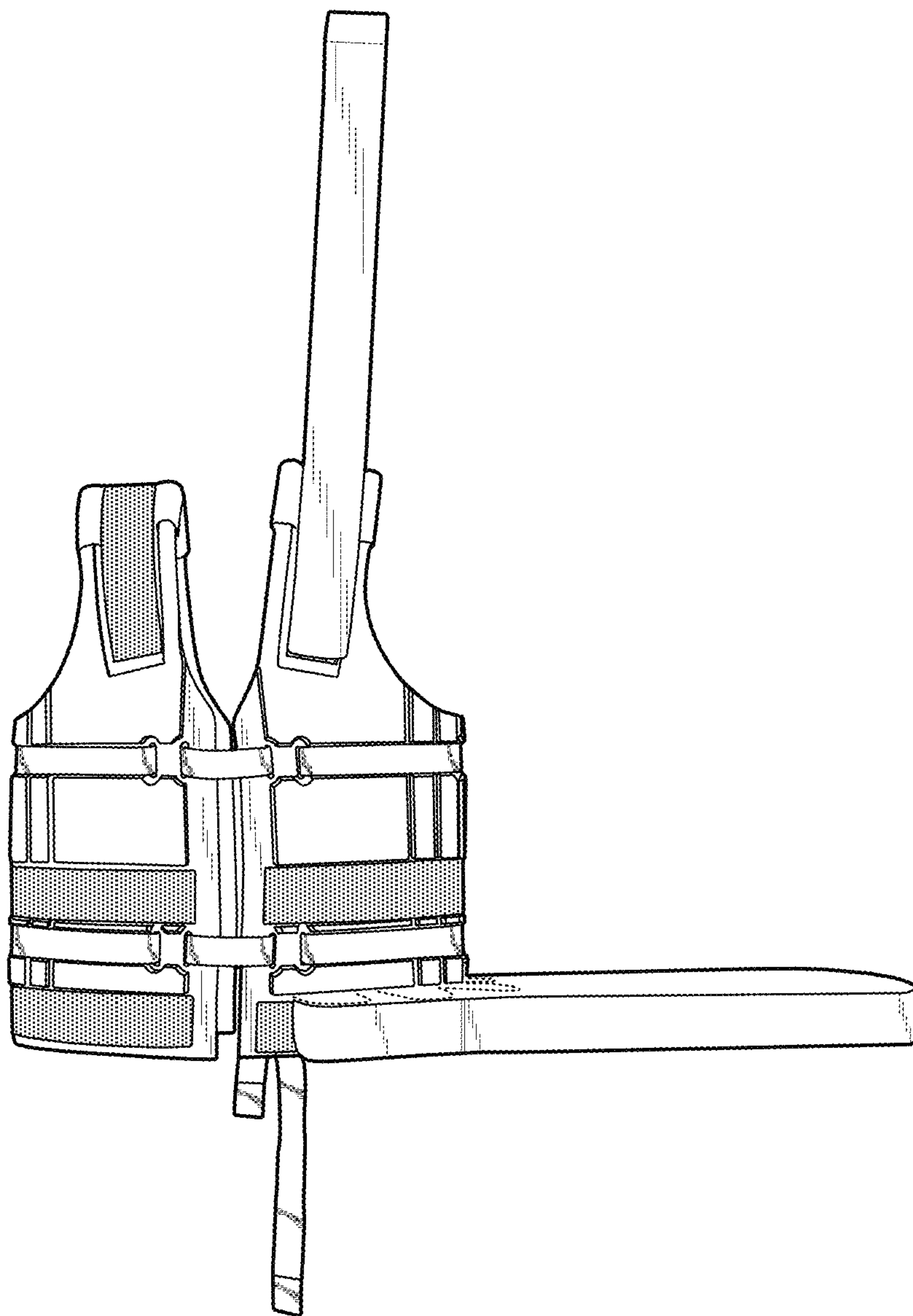


FIG. 3



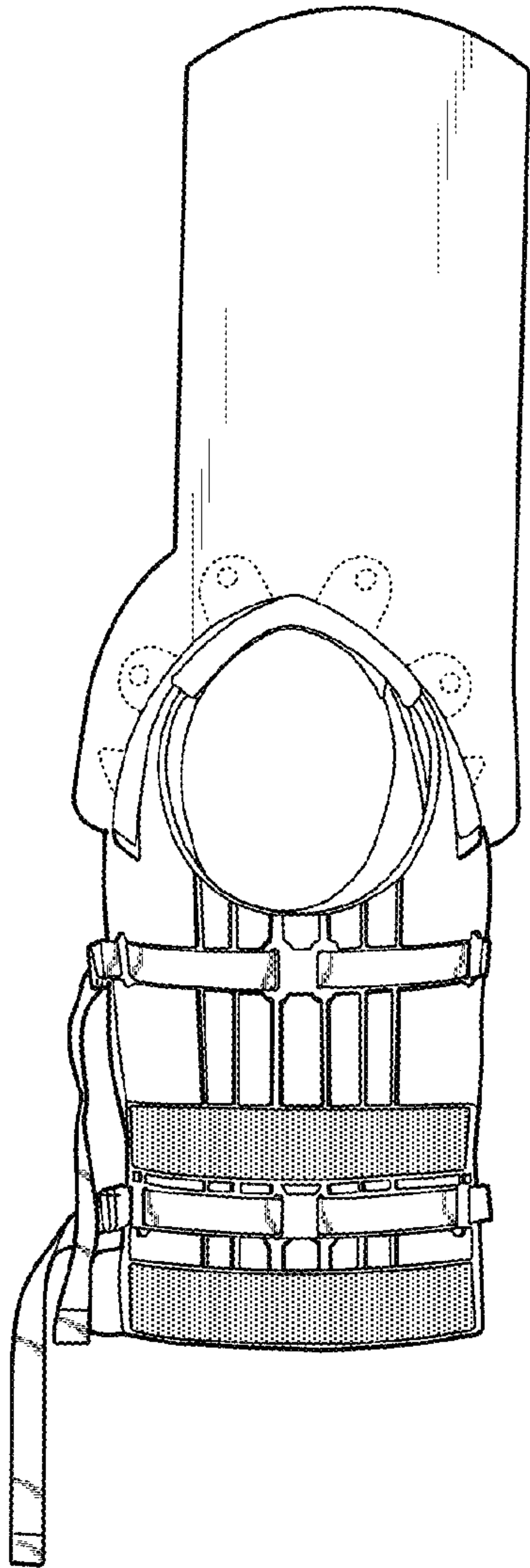


FIG. 4

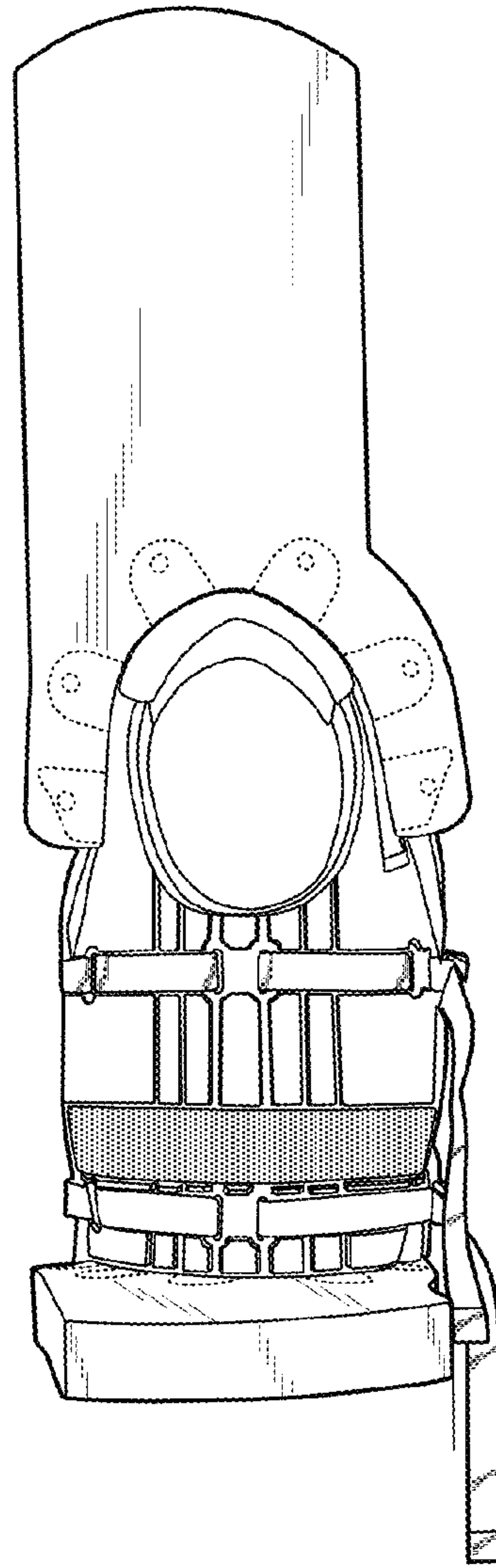


FIG. 5