



US00D706887S

(12) **United States Design Patent**
Siklosi et al.

(10) **Patent No.:** **US D706,887 S**
(45) **Date of Patent:** **** Jun. 10, 2014**

(54) **FREE STANDING TRAINING BAG WITH TRIPOD BASE**

- (71) Applicant: **Century, LLC**, Oklahoma City, OK (US)
- (72) Inventors: **Tibor Siklosi**, Norman, OK (US); **Kurt Hafeken**, Edmond, OK (US); **Jeffrey Woodson**, Choctaw, OK (US)
- (73) Assignee: **Century, LLC**, Oklahoma City, OK (US)
- (**) Term: **14 Years**
- (21) Appl. No.: **29/456,691**
- (22) Filed: **Jun. 3, 2013**

Related U.S. Application Data

- (63) Continuation of application No. 13/758,269, filed on Feb. 4, 2013.
- (51) **LOC (10) Cl.** **21-02**
- (52) **U.S. Cl.**
USPC **D21/787**
- (58) **Field of Classification Search**
USPC D21/300, 302, 306, 385, 396, 576, 578, D21/585, 621, 622, 623, 627, 658, 662, 686, D21/688, 689, 692-695, 698, 699, 787, 798, D21/304; D20/10, 12, 16, 17, 19, 31, 32, D20/41; D25/42-44, 126-133; D10/46.1, D10/109.1, 109.2, 113.2, 113.3, 113.4, D10/114.1, 114.6; D6/315, 316, 411, 415, D6/455, 457, 495-498, 512, 518-523, 552, D6/352, 363, 366; 482/83-90; 473/422, 473/441-445; 40/607.01-607.04, 40/607.01-607.12; 248/160, 910, 165, 248/166, 171, 177.1, 188.7; 116/63 P; 211/171, 195, 196, 203, 205

See application file for complete search history.

(56) **References Cited**

U.S. PATENT DOCUMENTS

472,192 A *	4/1892	Loring	16/365
996,524 A *	6/1911	Raudabaugh	211/29
1,269,559 A *	6/1918	Fauver et al.	473/441
4,330,119 A *	5/1982	Marshall, Jr.	482/84
5,624,358 A *	4/1997	Hestilow	482/90
D389,078 S *	1/1998	Freeman et al.	D10/113.2
5,788,612 A *	8/1998	Rennick	482/83
5,941,801 A *	8/1999	D'Alto	482/90

(Continued)

Primary Examiner — Catherine Tuttle

(74) *Attorney, Agent, or Firm* — Head, Johnson & Kachigian, P.C.

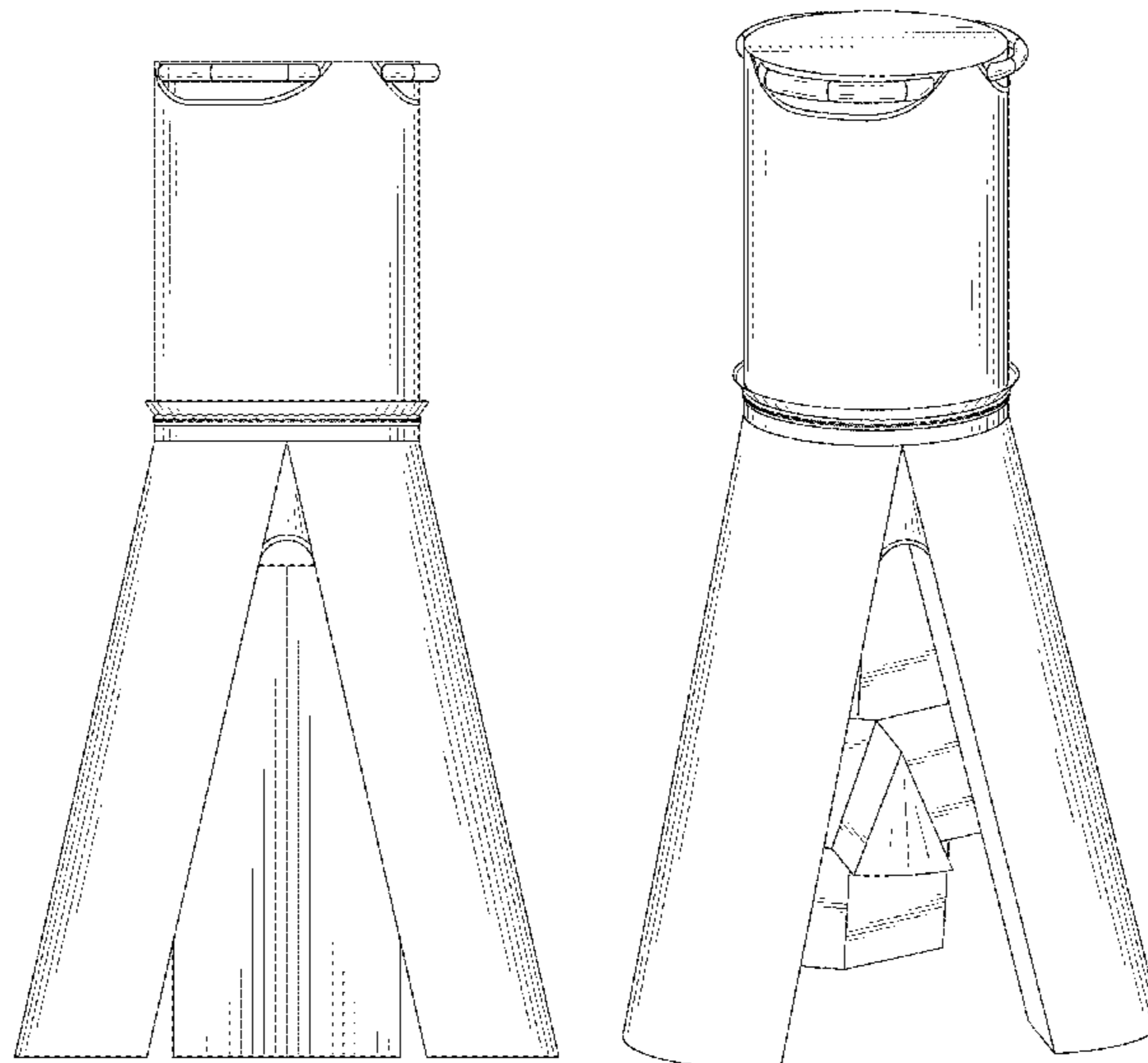
(57) **CLAIM**

The ornamental design for a free standing training bag with tripod base, as shown and described.

DESCRIPTION

FIG. 1 is a front elevation view of the free standing training bag with tripod base showing our new design;
 FIG. 2 is a back elevation view thereof;
 FIG. 3 is an exploded top perspective view wherein the detached plug element is visible between the tripod legs;
 FIG. 4 is an elevation view rotated 60° from either FIGS. 1 or 2;
 FIG. 5 is a top plan view thereof;
 FIG. 6 is a bottom plan view thereof;
 FIG. 7 is an exploded bottom perspective view wherein the detached plug element is visible between the tripod legs as in FIG. 3;
 FIG. 8 is an enlarged fragmentary view showing the top portion of the design;
 FIG. 9 is an enlarged fragmentary view showing the central portion of the design; and,
 FIG. 10 is a perspective view of the plug element shown separately for a clear and complete disclosure thereof.

1 Claim, 9 Drawing Sheets



(56)

References Cited

U.S. PATENT DOCUMENTS

6,390,958 B1 * 5/2002 Chu 482/90
D483,828 S * 12/2003 Perez D21/798
6,893,384 B2 * 5/2005 Triani 482/83
7,063,648 B1 * 6/2006 Brigham 482/83

RE39,372 E * 11/2006 Kuo D21/787
7,150,700 B2 * 12/2006 MacKay et al. 482/83
7,224,271 B2 * 5/2007 Wang 340/473
D562,715 S * 2/2008 Treloar D10/113.4
2004/0209743 A1 * 10/2004 Perez 482/83
2008/0254950 A1 * 10/2008 Beliles 482/83

* cited by examiner

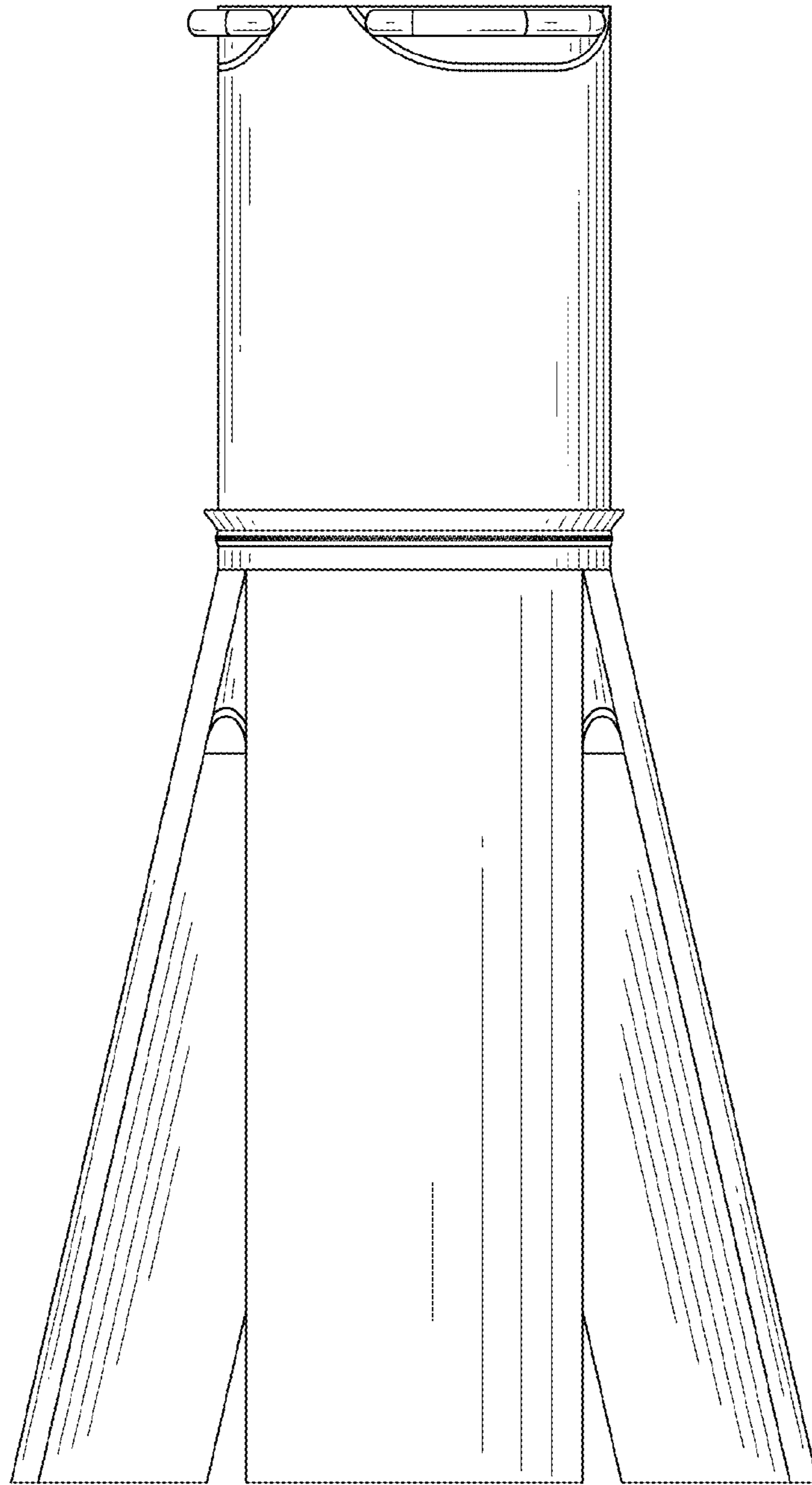


FIG. 1

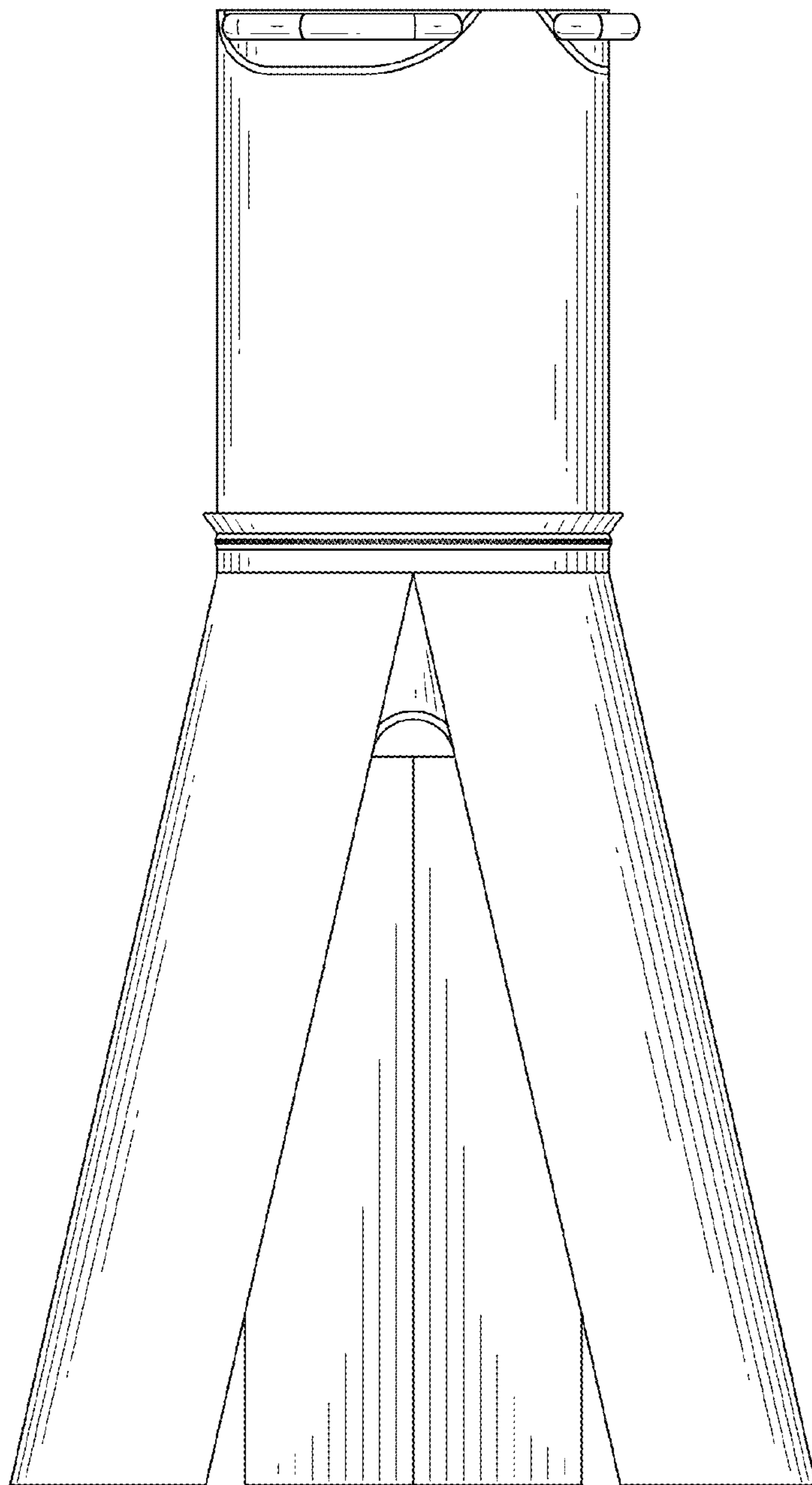


FIG. 2

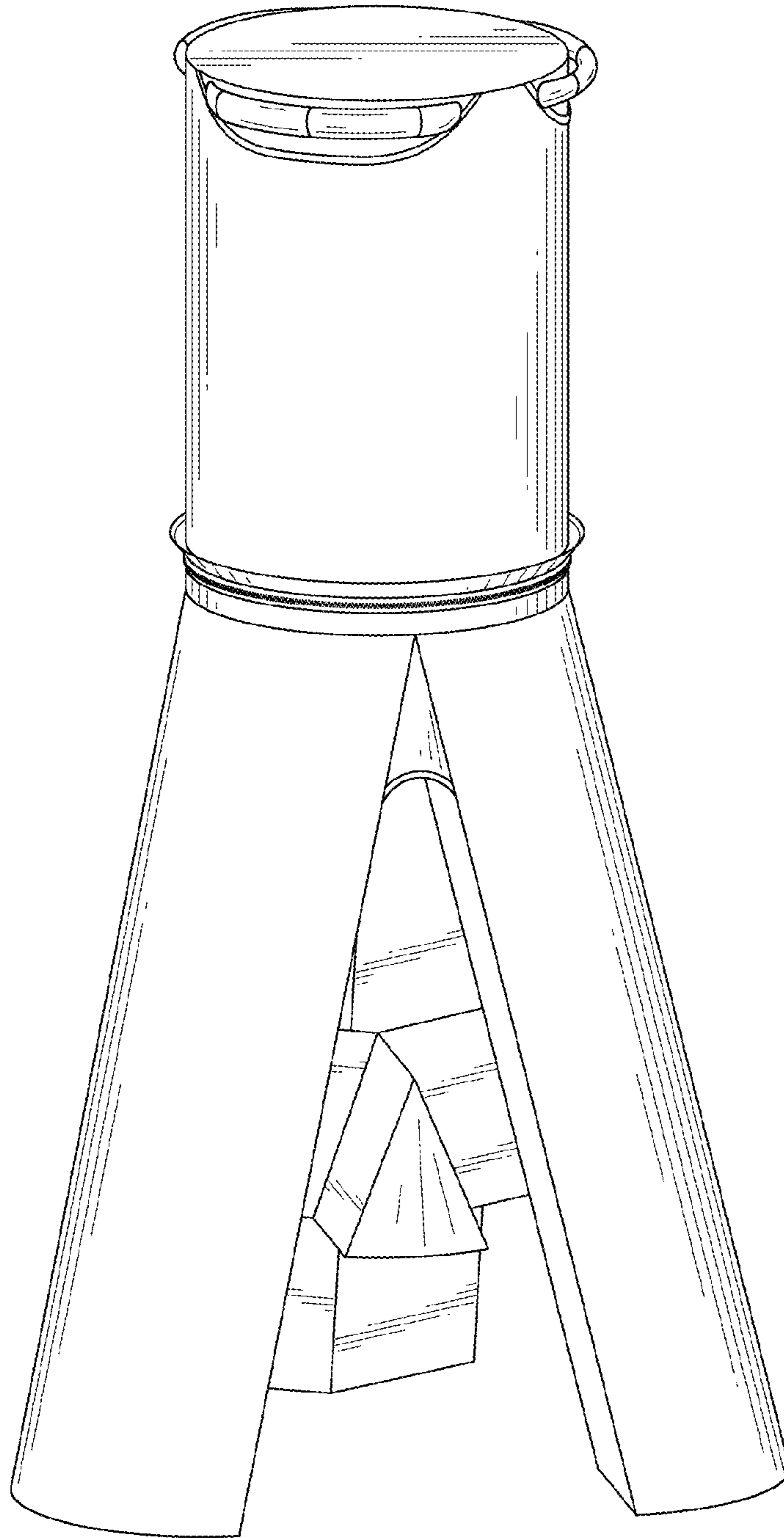


FIG. 3

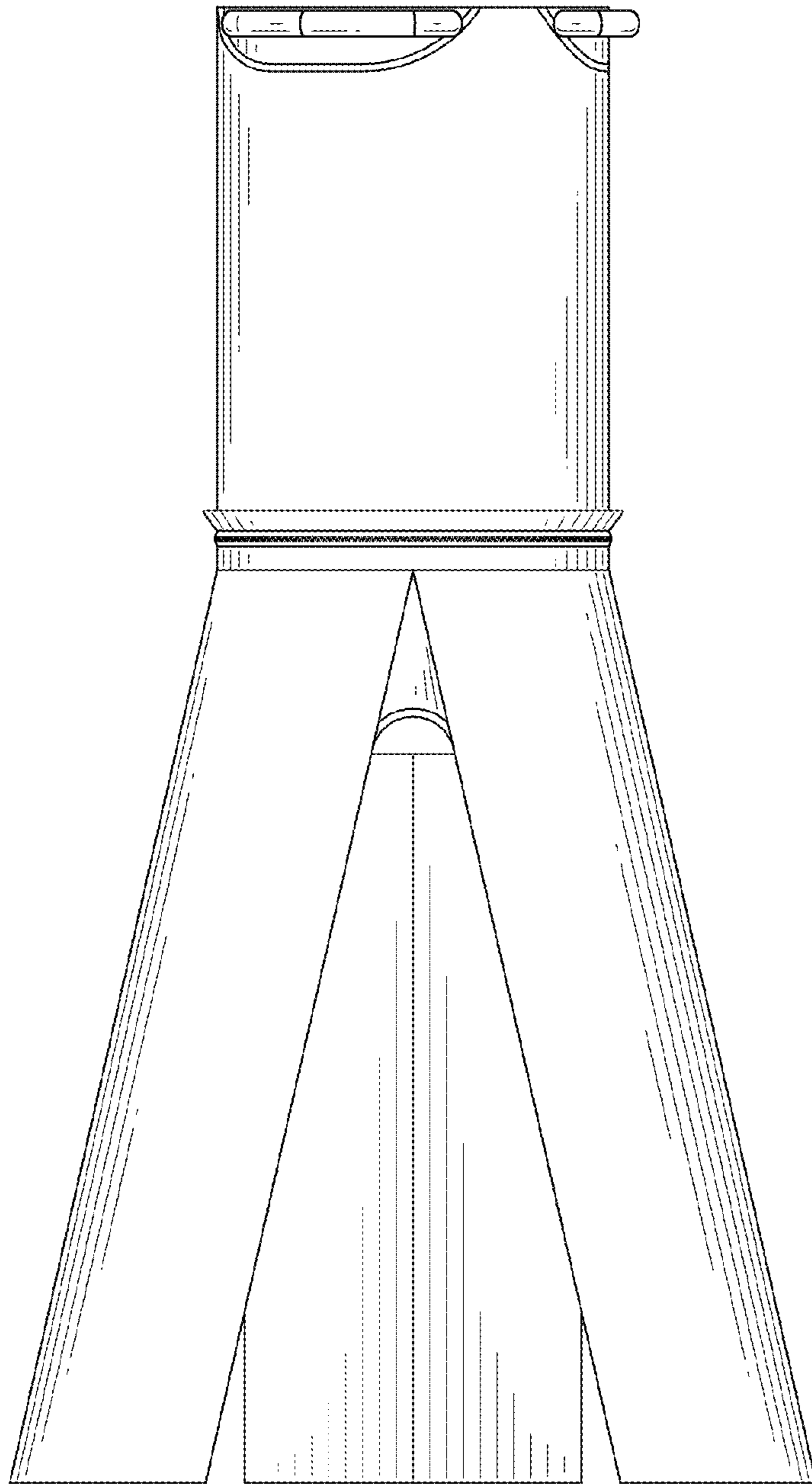


FIG. 4

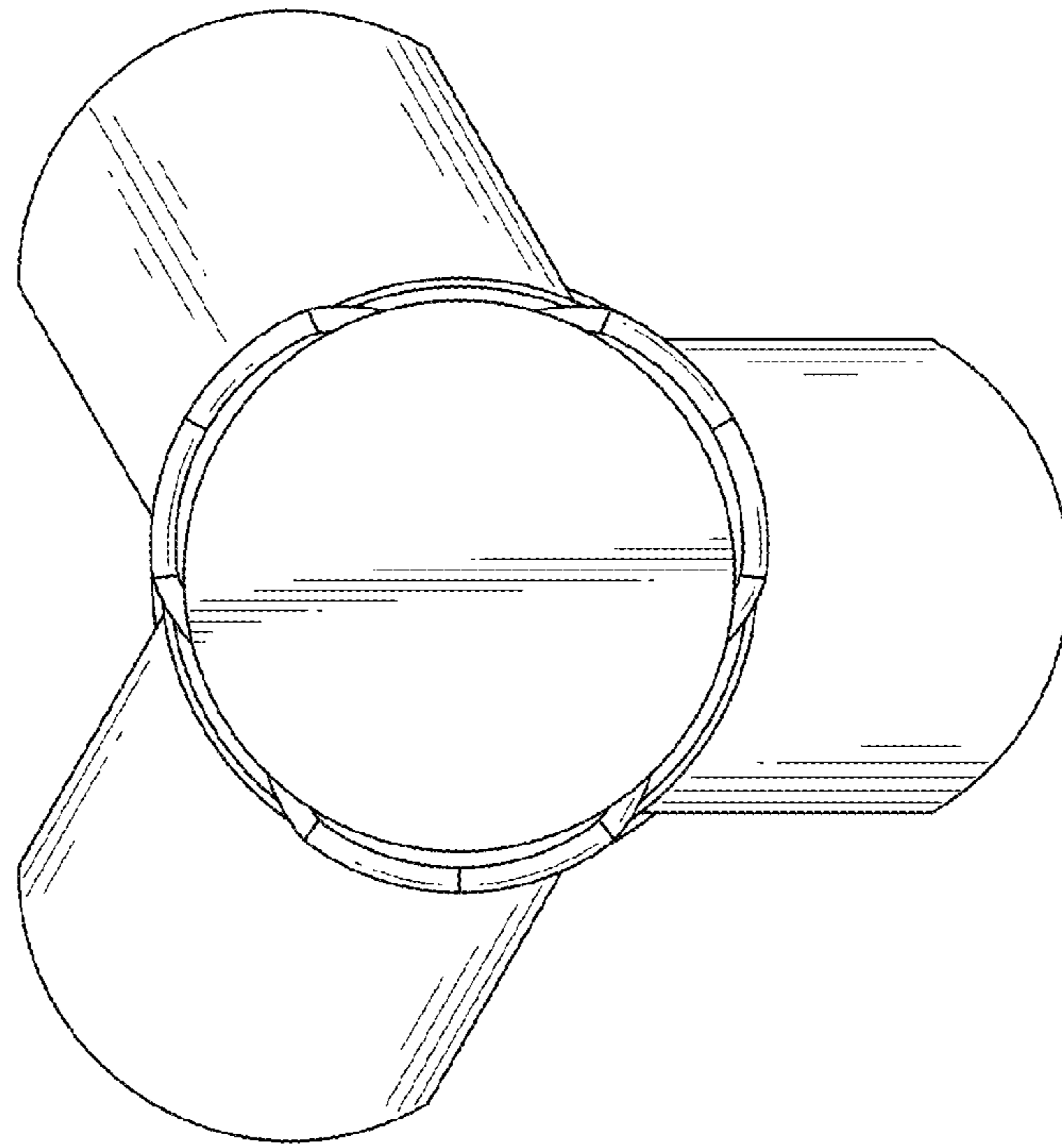


FIG. 5

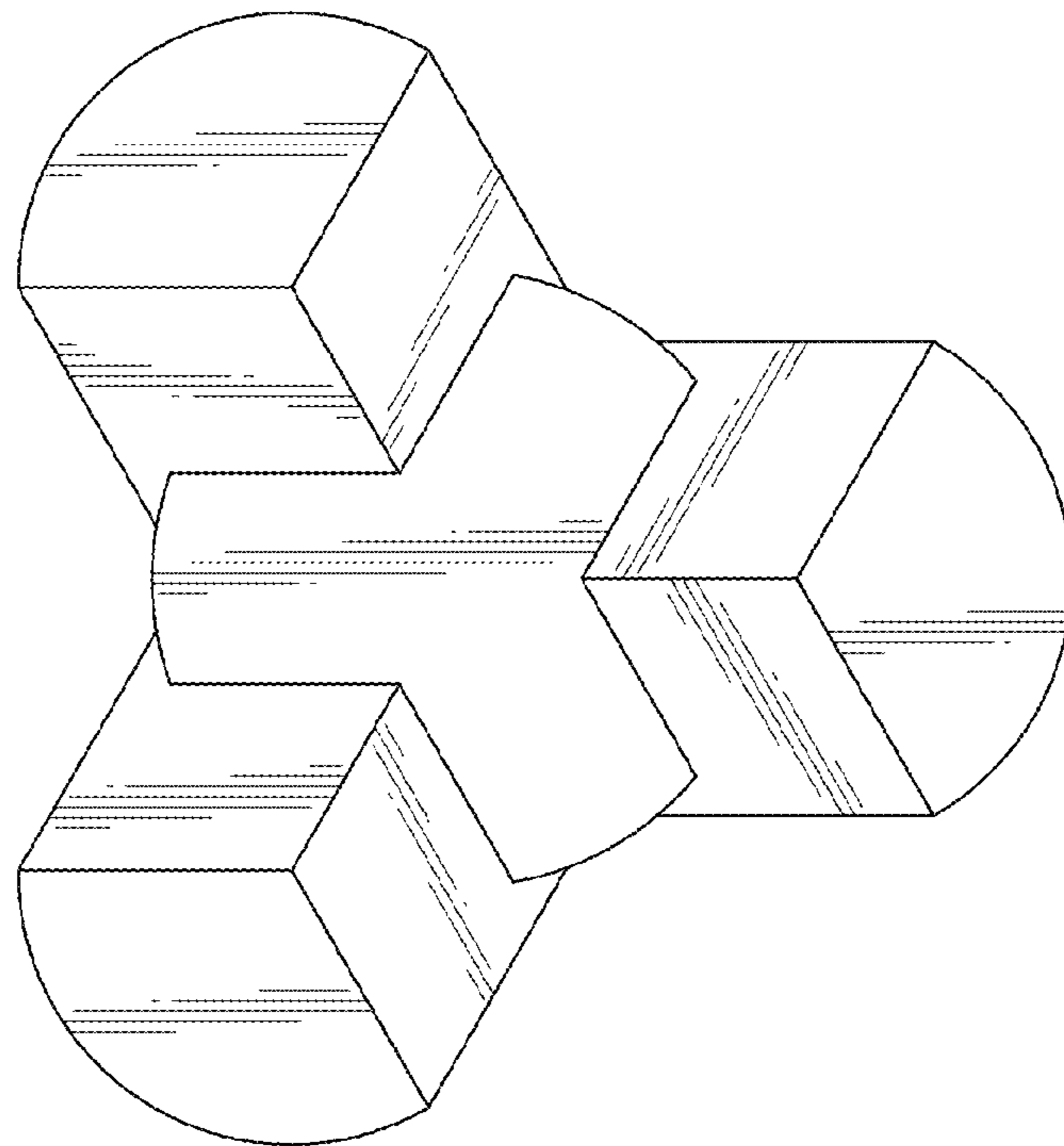


FIG. 6

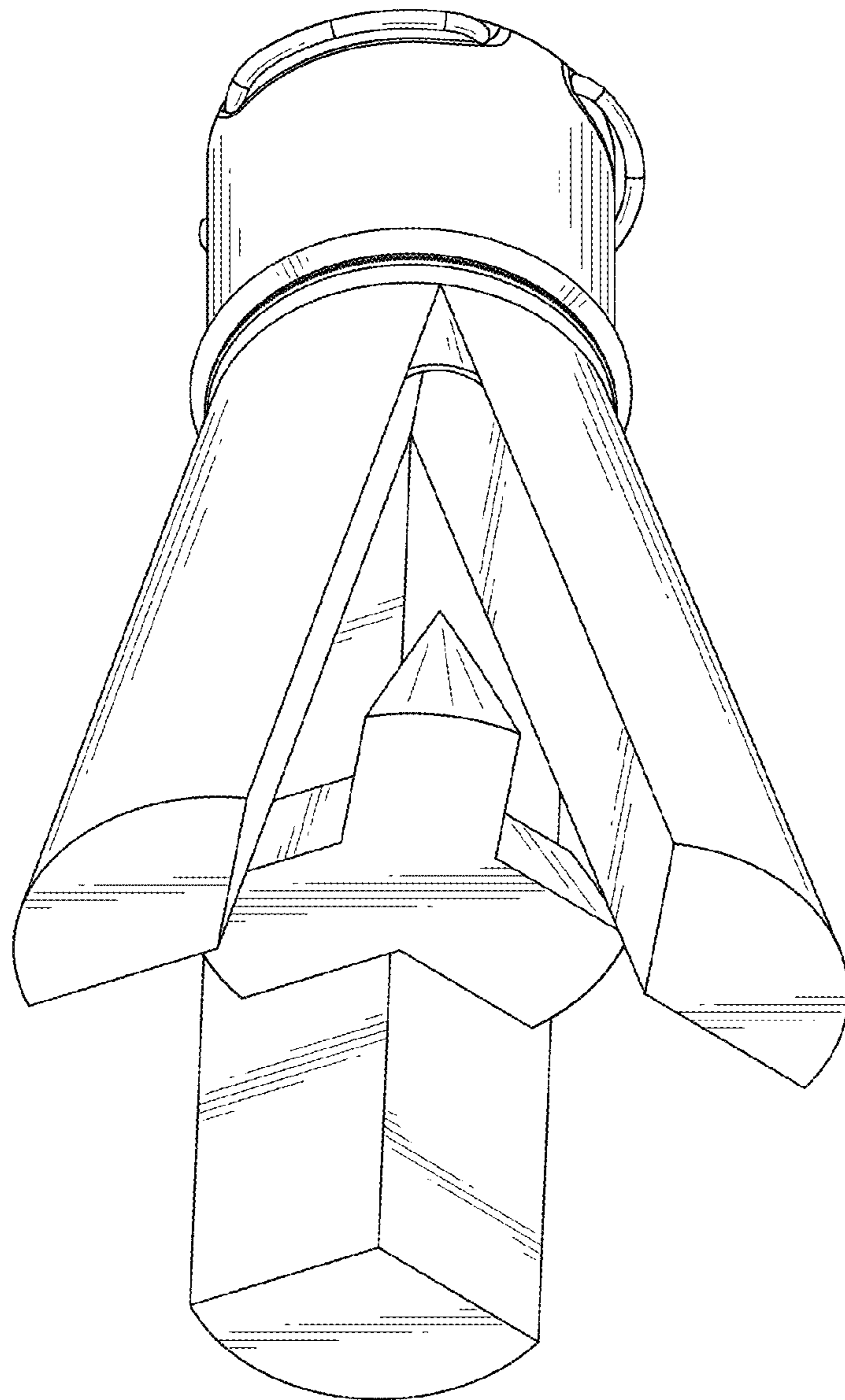


FIG. 7

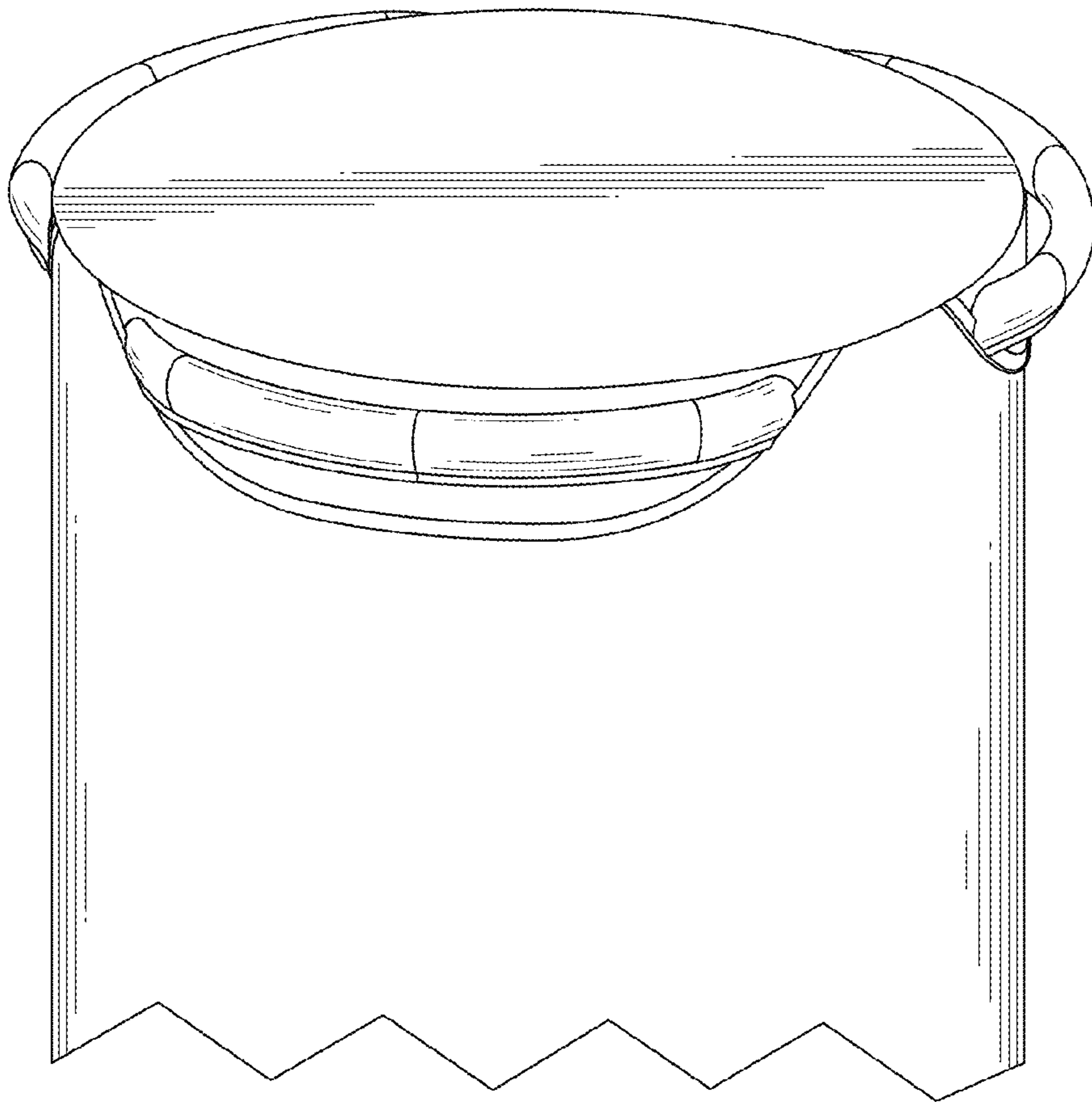


FIG. 8

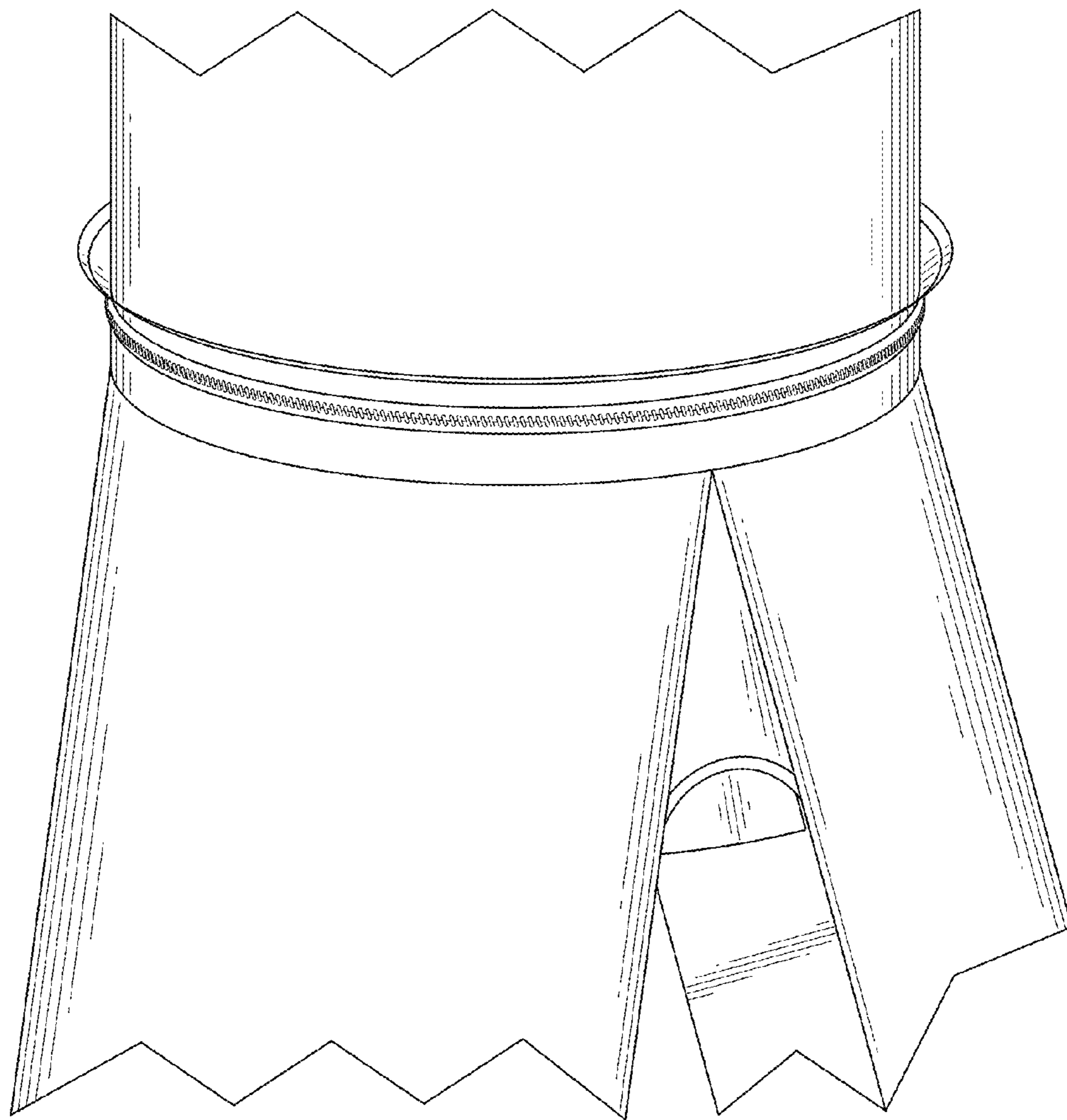


FIG. 9

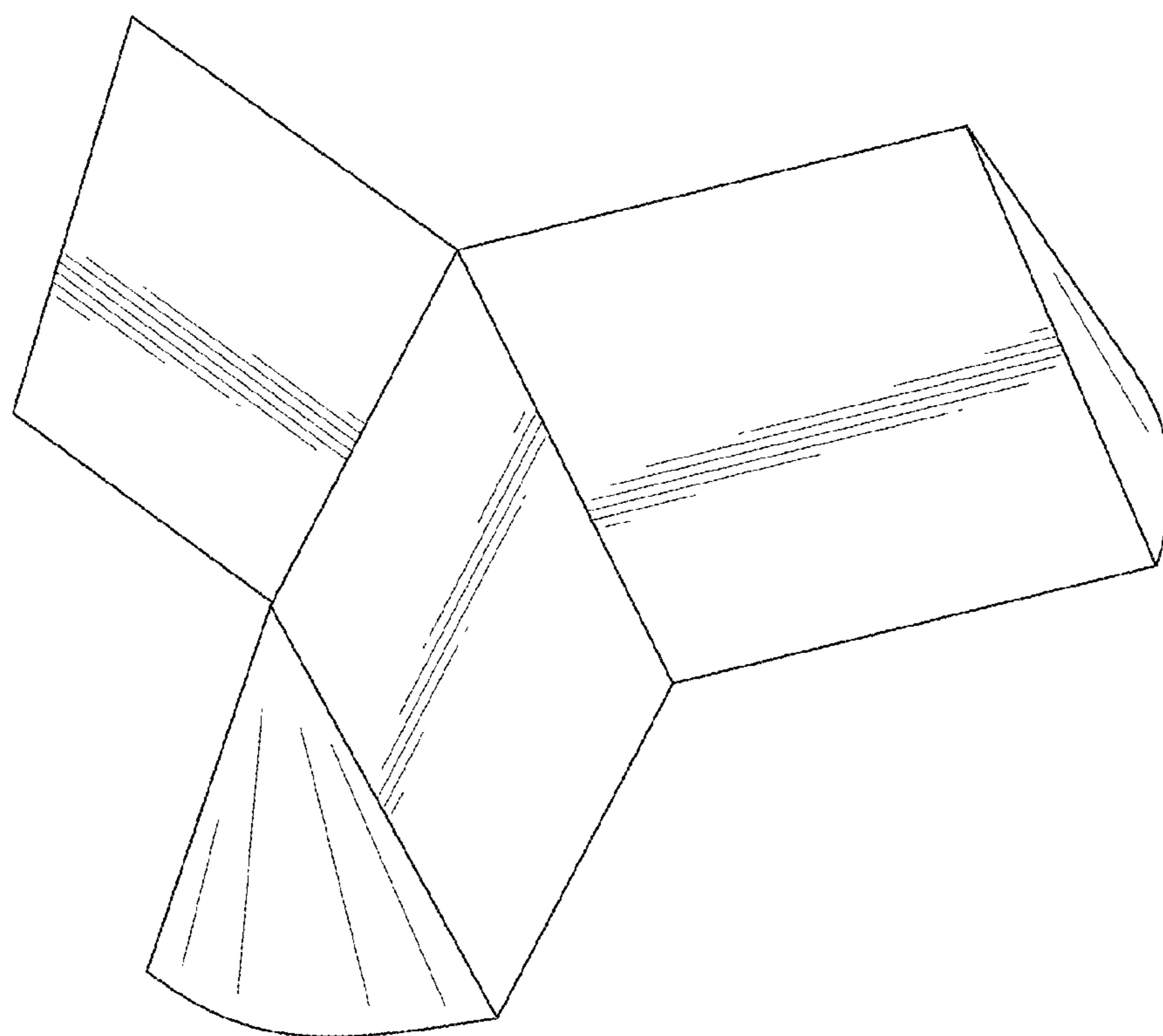


FIG. 10